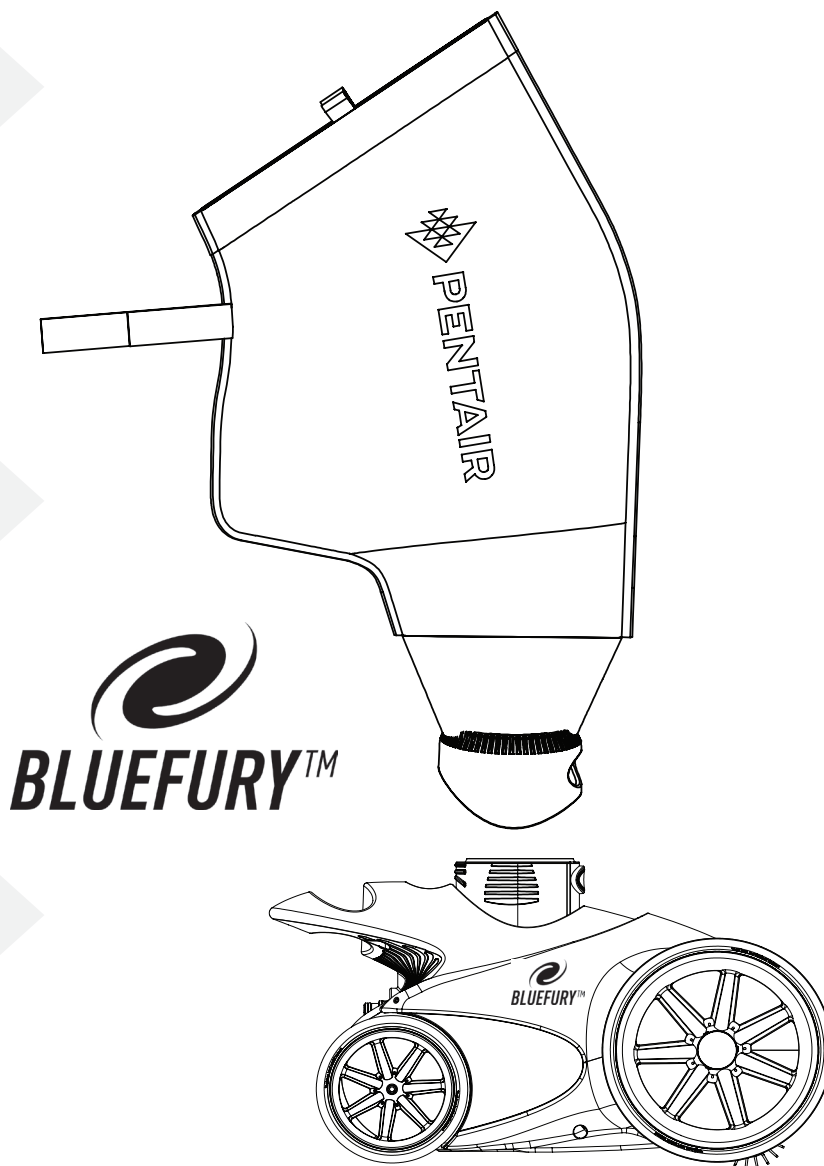




BLUEFURY™

PRESSURE SIDE POOL CLEANER

**INSTALLATION GUIDE / INSTALLATIEHANDLEIDING
BEDIENINGSANTLEIDUNG / GUIDE DE L'INSTALLATION
GUIA DE INSTALACION / GUIDE ALL'INSTALLAZIONE**



English
2

Deutsch
17

Nederlands
32

Français
47

Español
62

Italiano
77

IMPORTANT SAFETY INSTRUCTIONS READ AND FOLLOW ALL INSTRUCTIONS SAVE THESE INSTRUCTIONS

Customer Support

HERENTALS, BELGIUM (8:30 A.M. to 4:30 P.M.) CET

Website : www.pentairpooleurope.com

E-mail : poolemea@pentair.com

Declaration of conformity

Standards used for showing compliance with the essential requirements in directive

- CENELEC EN 55015:2006

- CENELEC EN 61547:1995



The manufacturer, Pentair, has the right to modify the products without previous notice for as far as the characteristics are not really changed by this.

© 2014 Pentair, Inc. All rights reserved. This document is subject to change without notice.

Trademarks and disclaimers: All Pentair trademarks and logos are owned by Pentair, Inc. BLUEFURY™ and Pentair Aquatic Systems™ are trademarks of Pentair Inc. and/or its affiliated companies in the United States and/or other countries. Unless expressly noted, names and brands of third parties that may be used in this document are not used to indicate an affiliation or endorsement between the owners of these names and brands and Pentair Inc. Those names and brands may be the trademarks or registered trademarks of those third parties.

⚠ DANGER Failure to follow the instructions in this manual may result in serious adverse health effects, or even serious or fatal injury. Failure to follow the instructions in this manual will in all cases invalidate all guarantees and liability on the part of the manufacturer. **INSTALLERS, OPERATORS AND OWNERS MUST READ THESE WARNINGS AND ALL INSTRUCTIONS IN THE OWNER'S MANUAL BEFORE USING THIS CLEANER. THESE WARNINGS AND THE OWNER'S MANUAL MUST BE LEFT WITH THE HOME OWNER.**

IMPORTANT WARNING AND SAFETY INSTRUCTIONS

**Important Notice:**

⚠ WARNING Attention Installer: This guide contains important information about the installation, operation and safe use of this product. This information should be given to the owner and/or operator of this equipment after installation of the pool cleaner.

Attention User: This manual contains important information that will help you in operating and maintaining this pool cleaner. Please retain it for future reference. Consult Pentair with any questions regarding this equipment.

Before installing this product, read and follow all warning notices and instructions which are included. Failure to follow safety warnings and instructions can result in severe injury, death, or property damage. Visit www.pentairpooleurope.com for additional free copies of these instructions.

Consumer Information and Safety

This pool cleaner is designed and manufactured to provide many years of safe and reliable service when installed, operated and maintained according to the information in this manual. Throughout the manual, safety warnings and cautions are identified by the “**⚠**” symbol. Be sure to read and comply with all of the warnings and cautions.

⚠ WARNING Stop pump before attempting to clean unit. Do not allow swimmers in the pool while pool cleaner is operating. Hose can trip or entangle swimmers which could result in drowning.

⚠ CAUTION Moving parts may injure hands or fingers. Stop pump before attempting to clean out pool cleaner.

General Installation Information

Pre-Installation Check List

Before installing your cleaner, review and understand all warnings and safety information in this guide. Failure to follow these instructions or improper installation of the cleaner can result in damage to the pool finish or the vinyl liner. Most cleaners are not designed to traverse from floor to wall when the pool cove is 90%. There may be other structures installed in the pool that the cleaner cannot navigate, BE AWARE and supervise the cleaner during unique conditions. Pentair Aquatic Systems disclaims any liability for repairs or replacement to any of these structures or components of the customer's pool.

Before installing the cleaner in a vinyl liner pool:

Check liner closely for signs of deterioration or damage from age, chemicals, pool wall damage, etc. If any damage is found, have a qualified pool professional make all the necessary repairs. Also, if there are stones, roots, etc., under the liner, remove them before installing the cleaner.

Before installing the cleaner in a gunite pool or a pool that is partially or completely tiled:

Make sure pool finish is in proper condition as staining, etching, cracking or delaminating may worsen.

Repair loose tiles and tighten any loose light rings.

Before installing the cleaner, clean your filter system:

Make sure you have cleaned the filter, including backwashing, rinsing, and emptying all baskets. A clean system is necessary for proper cleaner operation and coverage.

Before installing the cleaner, understand cleaner coverage:

The cleaner is designed to rid your pool of debris in approximately 4-6 hours. Less time could be needed, depending on the pool size. The cleaner was not designed to automatically clean steps or swimouts, or to work under a solar cover. The cleaner may get stuck in these areas which can result in damage to the pool finish or vinyl liner. Pentair Aquatic Systems disclaims any liability for repairs or replacement to any of these structures or components of the consumer's pool. It was also not designed to do initial cleanup for a new pool or when opening your pool for the season.

AFTER installing the cleaner, make sure the cleaner is operating correctly:

The cleaner may need some minor adjustments to make sure it is operating properly so there is no damage to the pool finish. Certain vinyl liner patterns are particularly susceptible to surface wear, pattern removal, ink rubbing off of, or serious scratches to the pattern caused by objects coming into contact with the vinyl surface, including automatic pool cleaners. Pentair Aquatic Systems is not responsible for any pattern removal, abrasions or markings on vinyl liners. Periodically inspect the cleaner components and the cleaner performance to ensure it is operating as designed. Replace and/or repair any worn or damaged components. Failure to follow instructions or improper installation of the cleaner may result in damage to the cleaner, pool finish or the vinyl liner.

Limited Warranty Terms & Conditions

Before installing your cleaner, review and understand all warnings, safety and warranty information in this guide. Failure to follow these instructions or improper installation of the cleaner can result in damage to the pool finish or the vinyl liner, Pentair Aquatic Systems disclaims any liability for repairs or replacement to any of these structures or components of the customer's pool.

Limited Warranty : 2 years

Further details : www.pentairpooleurope.com

Disclaimer of Liability - About your Pool and Pressure Side Pool Cleaner

There are a multitude of factors that contribute to the life of your pool. The pool cleaner is a very passive product that will have no impact on pool life.

Please be aware that over time, deterioration, discoloration and brittleness of any pool finish can be caused separately by, or in combination with, age, an imbalance in pool water chemistry, improper installation and other factors. Pressure side pool cleaners will not remove or cause wear on "good" pool plaster. In fact, the opposite is true—pool plaster will eventually cause wear on the cleaner.

The same situation holds true for vinyl-lined in-ground swimming pools, because vinyl liners are also affected by the environment and factors such as pool water chemistry, sunlight and the pool's surroundings. Therefore over time, vinyl can become brittle and weak. In addition, vinyl-lined pools are affected by the workmanship, composition and installation of the liner and the workmanship and quality of construction of the supporting walls and pool base. These are all factors which can contribute to liner failure. The existence of any of these type of conditions in your pool is not caused by the use or operation of the pool cleaner. The manufacturer disclaims any liability for repairs or replacement to any of these structures or components of the customer's pool.

The pool owner must assume all responsibility for the condition and maintenance of the pool's surface, water and deck.

Before the cleaner is installed, please take a moment to record the serial number. This number is located on your warranty card and on the back of the cleaner near the rear jets. You will be asked for this number when you contact our Technical Support Department.

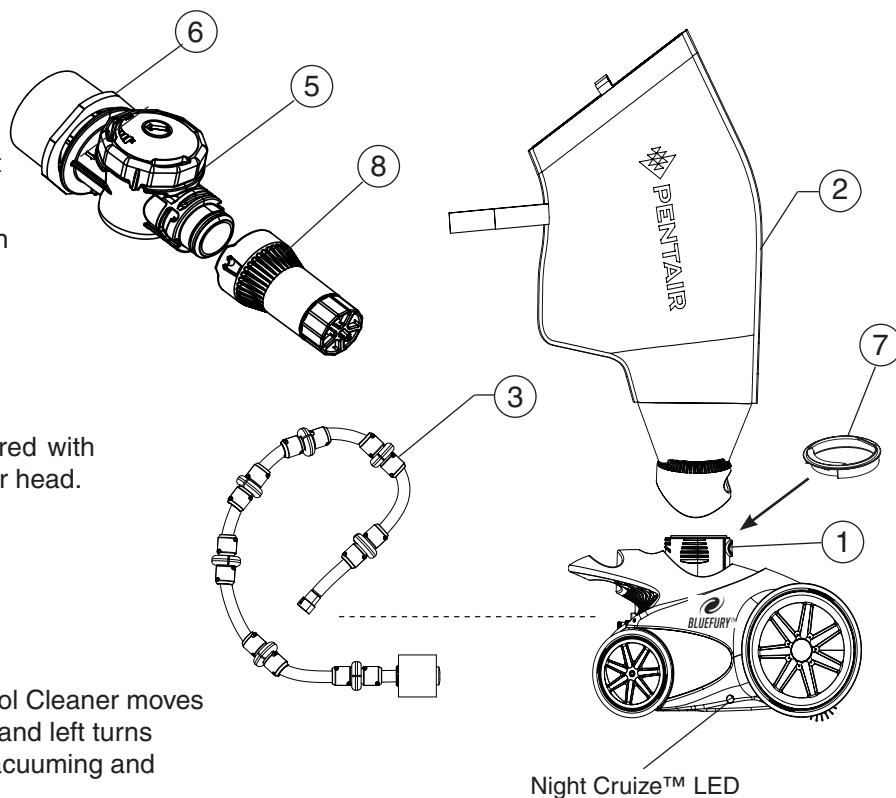
SERIAL # _____

Cleaner Components

1. BLUEFURY™ Cleaner Head
2. Debris Bag
3. Sweep Hose (not needed in most pools)
4. Feed Hose Assembly - Not shown (3 x 3m. or 3x 10ft. sections)
5. Wall Fitting
6. Wall Adapter
7. Debris Seal

Note: The cleaner system is delivered with debris seal installed inside of cleaner head.

8. Flow Gauge



Overview

The BLUEFURY™ Pressure Side Pool Cleaner moves through a sequence of straight, right and left turns helping to increase pool coverage, vacuuming and scrubbing your entire pool.

- For continuous uninterrupted cleaning, the cleaner will go into reverse mode about every two minutes, which allows it to efficiently clean the entire pool.

Note: Before you install and operate your cleaner, read through these important guidelines:

1. Always disconnect the cleaner from the pool wall when cleaning or back washing the pool filter.
2. After cleaning or back washing the filter, let the filtration system run for at least five minutes before reconnecting the cleaner.
3. New plumbing lines should be flushed out before installing the cleaner.
4. The cleaner should not be used to remove plaster dust in new pools.
5. Always remove the cleaner before swimmers enter the pool.
6. Always handle the cleaner with care.
7. Always pick up the cleaner by the handle, especially when lifting the unit out of the water.
8. Do not handle the cleaner while it is operating.
9. Always remove the cleaner from the pool before chemical shock treatments (super chlorinate). As a rule, any pool water that is unsafe for swimming is unsafe for the cleaner.
10. Carefully cut the feed hose following the instructions.
11. By following these simple guidelines, you can help protect against injury and prolong the life of your cleaner.
12. Refer to "Important Warning And Safety Instructions" for additional installation and safety information.

INSTALLATION

Booster Pump Installation

Please refer to the instructions included with your booster pump for installation information.

Please follow these instructions carefully.

Installing the Wall Fitting and Wall Adapter

1. Remove and disconnect any existing pool cleaner and/or wall fitting.
2. Switch **on** the filtration pump and booster pump, to flush out the plumbing line.
3. Switch **off** filter pump and booster pump.
4. Insert wall fitting adapter into the dedicated 1-1/2" NPT threaded return line. Hand tighten until snug. **See figure 3.**
5. Align wall fitting with the quick lock pegs inside the wall adapter. Push the wall fitting into the wall adapter until it bottoms out. Twist 1/4 turn clockwise to lock the wall fitting. **Pull gently outward to engage quick lock pegs.** See figure 3.

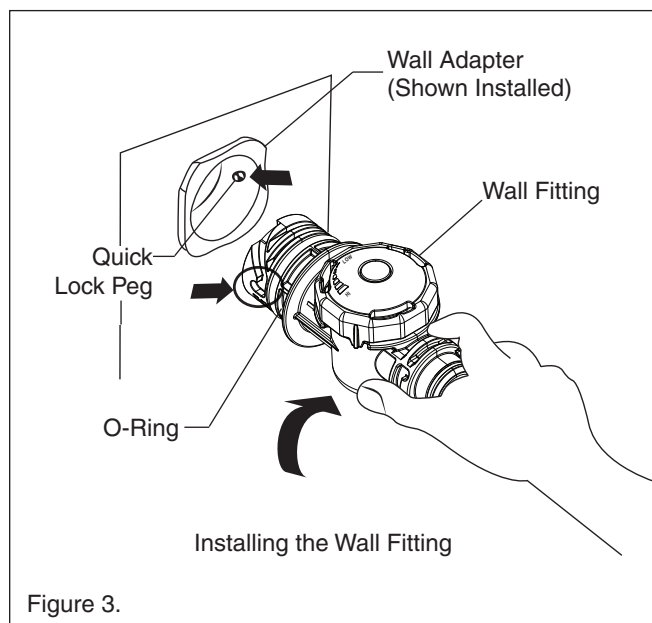


Figure 3.

Setting the Water Flow to the Cleaner

IMPORTANT! Before starting this procedure be sure to switch off the filter pump and booster pump.

1. Attach the flow gauge to the wall fitting by aligning the two tabs on the flow gauge with the grooves in the wall fitting. **See figure 4.** Push and turn the flow gauge clockwise until it stops, then slightly pull it out away from the wall. Be sure the flow gauge is securely locked in place by turning it counterclockwise while slightly pulling out on the flow gauge. **See figure 5.**

Note: Flow gauge will not turn when locked in place.

2. Switch on the filter pump and then the booster pump.
3. Verify the white plunger (inside the flow gauge) is aligned within the box on the flow gauge. **See figure 6.**
4. Adjust the valve on the wall fitting using a flathead screwdriver by turning the valve clockwise (to reduce flow) or counter-clockwise (to increase flow) so that the white plunger aligns with the arrows on the flow gauge markings. **See figure 7.**
5. Switch off the booster pump and then the filter pump.
6. Remove the flow gauge from the wall fitting by pushing in and turning counterclockwise and pulling the gauge out.
7. Attach the hose assembly to the wall fitting. Turn clockwise then push in one quarter turn to secure in place (as described in Step 2).

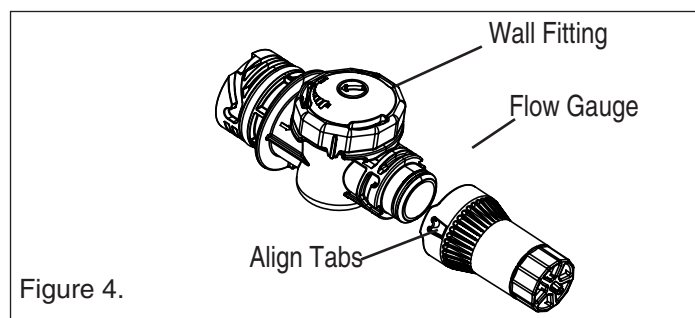


Figure 4.

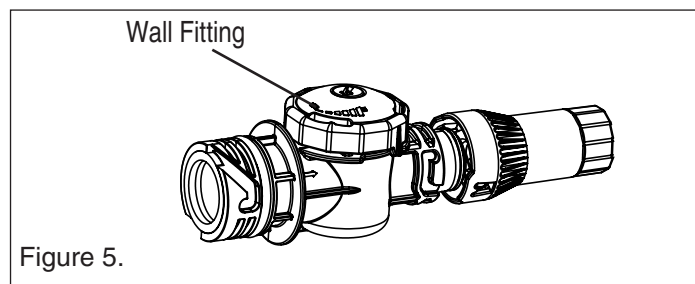


Figure 5.

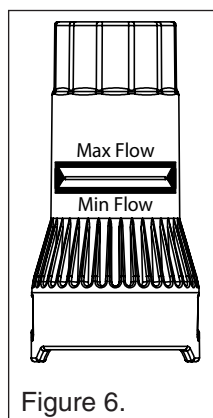


Figure 6.

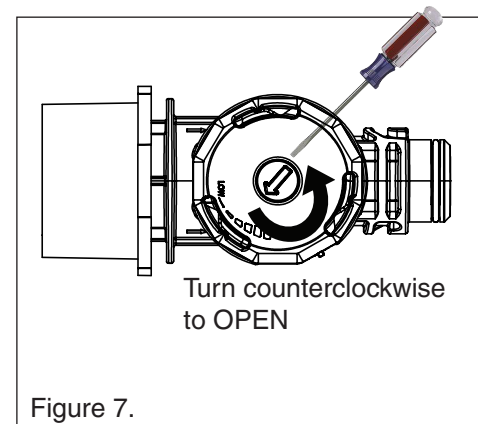


Figure 7.

Calculating Cleaner Speed/RPM

1. To determine whether the BLUEFURY™ Pressure Side Pool Cleaner is receiving the proper water pressure, turn off the pool pump, and carefully remove the cleaner from the pool.
2. Mark the front tire/wheel with a marker, such as a blade of grass stuck under the tire.
3. Have someone restart the pool pump and booster pump while you place the cleaner just beneath the pool's water surface.

Note: Be sure to hold onto the sweep hose (if installed) to avoid getting wet, as flow will return to the sweep hose regulator when the pump is restarted.

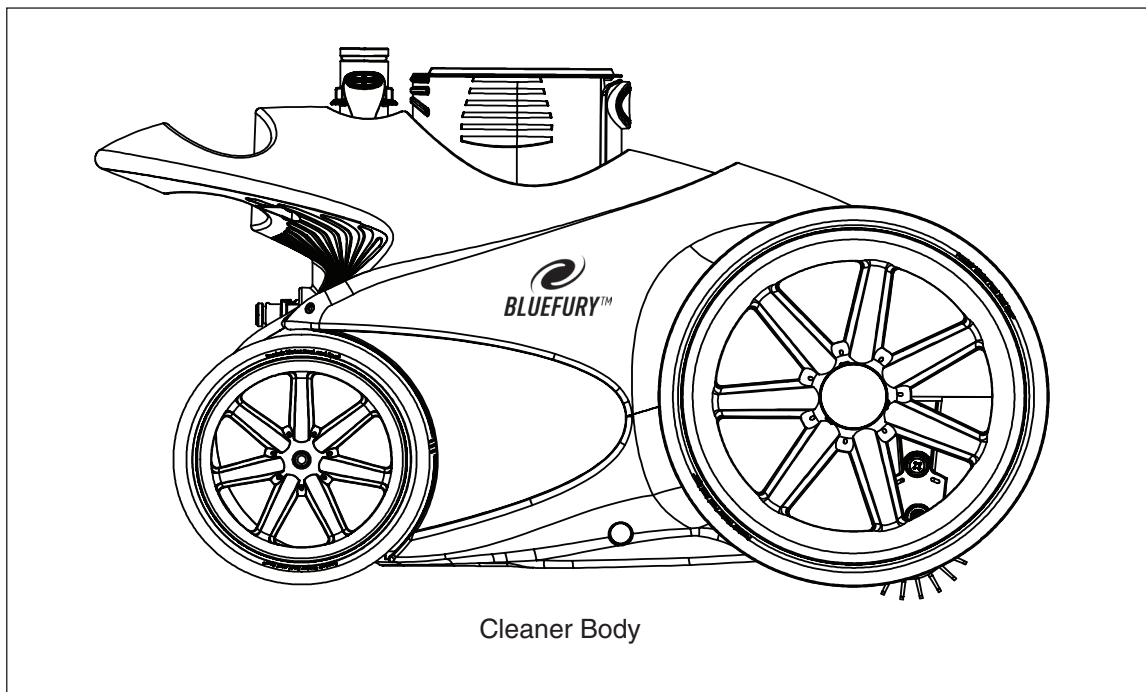
4. Count the number of full rotations made by the marked wheel over a period of one minute. The number of rotations will give you the revolutions per minute; or RPM's.

Note: Be sure that the back-up valve isn't cycling at this time.

5. For proper performance, the BLUEFURY cleaner operates between 31 - 33 RPM's with a sweep hose installed and 33 - 36 RPM's without a sweep hose.

If the RPM is below 31 with a sweep hose installed, or below 33 without a sweep hose, then call your local Pool Professional or contact Pentair's Technical Support Department.

If the RPM is higher than 33 with a sweep hose installed, or higher than 36 without a sweep hose, at the wall fitting adjust the valve, as described under "Setting the Water Flow to the Cleaner", until the RPM falls back into the optimal range.



Adjusting the Hose Assembly to Fit Pool

The hose assembly consists of: Three (3) 3m. (10ft.) sections, one (1) soft light grey lead hose marked as section one and two (2) stiffer dark grey feed hoses marked as sections two and three.

Important to the Performance of the Cleaner:

Measure, cut, and assemble the hose sections as described in Step 1 and Step 2. Use strong scissors or a sharp knife to cut the hoses. Be sure to slide the floats out of the way when cutting hose. Cut hose ends as straight as possible.

Step 1: Sizing Hose Section 1

1. Measure the deepest part of the pool. **See figure 8.**

Note: The grate or domed main drain, at the bottom of the pool, is usually the deepest point. *If the depth is greater than 3m. (10 ft.), do not cut the hose, and proceed to Step 2.*

2. If the pool depth is less than 3m. (10 ft.), disconnect the soft light grey lead hose, labeled section one, from the swivel end. Cut the lead hose so the length is equal to the deepest part of the pool. **See figure 9.**

Example: *If the pool is 2.6m (8½ ft.) deep, cut 40cm (1½ ft.) off of the hose labelled section one (since the hose is 3m. (10 ft.).)*

3. Discard excess hose. Reconnect the newly cut lead hose to the swivel on the feed hose. All three hose sections should now be connected.

Step 2: Sizing Hose Sections 2 and 3

1. Attach the hose assembly to the wall fitting. **See figure 10.** Then attach the wall fitting (with hose) to the wall adaptor. **See figure 10.** Take the opposite end of the hose assembly and walk to the farthest point of the pool from the wall adaptor. **To prevent over stretching the hose, rest the hose on top of the pool water.** Measure the excess hose length (hose that extends beyond pool edge). This determines the amount of hose to be cut from sections 2 and 3.
2. Disconnect feed hose assembly from the wall adaptor. Disconnect sections 2 and 3 from the first swivel closest to the wall fitting.
3. Cut half of the total excess hose length from each hose labeled section 2 and section 3 (assembled with four floats) equally. **Both feed hose sections should be the same length after cutting.**

Example: *If there is 1.8m. (6 ft.) of excess hose. Cut 90cm (3 ft.) off of section 2 and section 3. (Half of 1.8m (6 ft.) = 90cm (3 ft.) each)*

If more than 3 ft. is cut from each hose section, remove one (1) float from each hose section.

Note: For large pools requiring extra hose lengths you will need to purchase one (1) additional hose, P/N 360265 (10 ft. single hose). Attach extra hose sections at the wall fitting using supplied swivel and mender nuts.

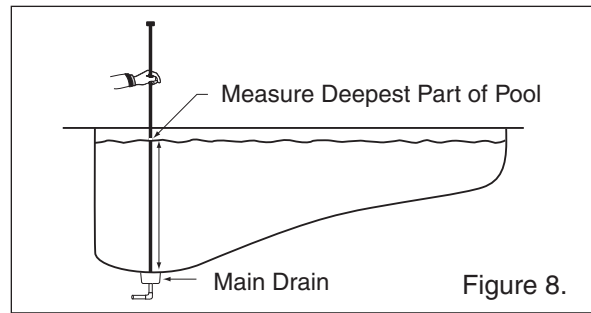


Figure 8.

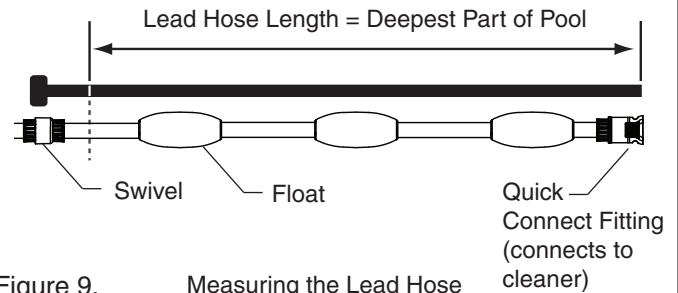


Figure 9.

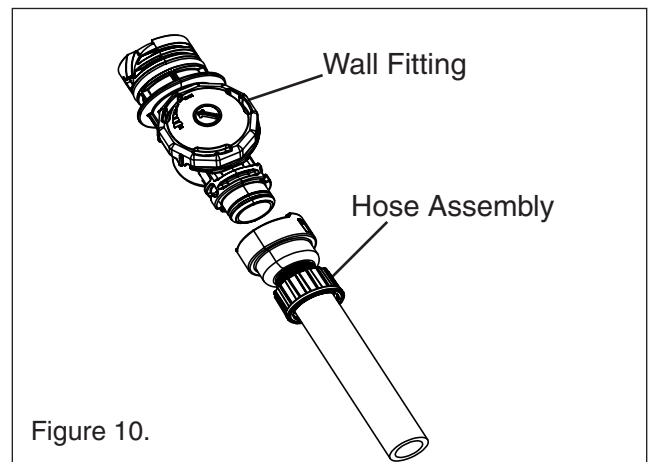


Figure 10.

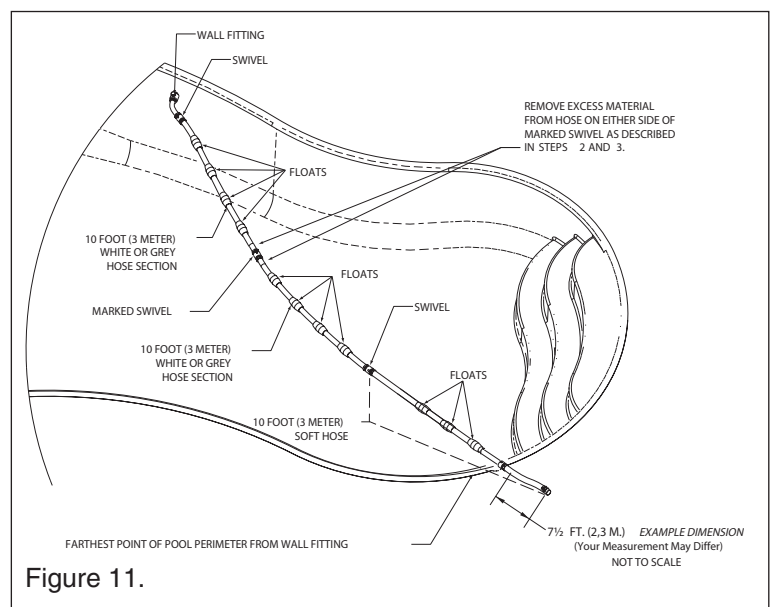
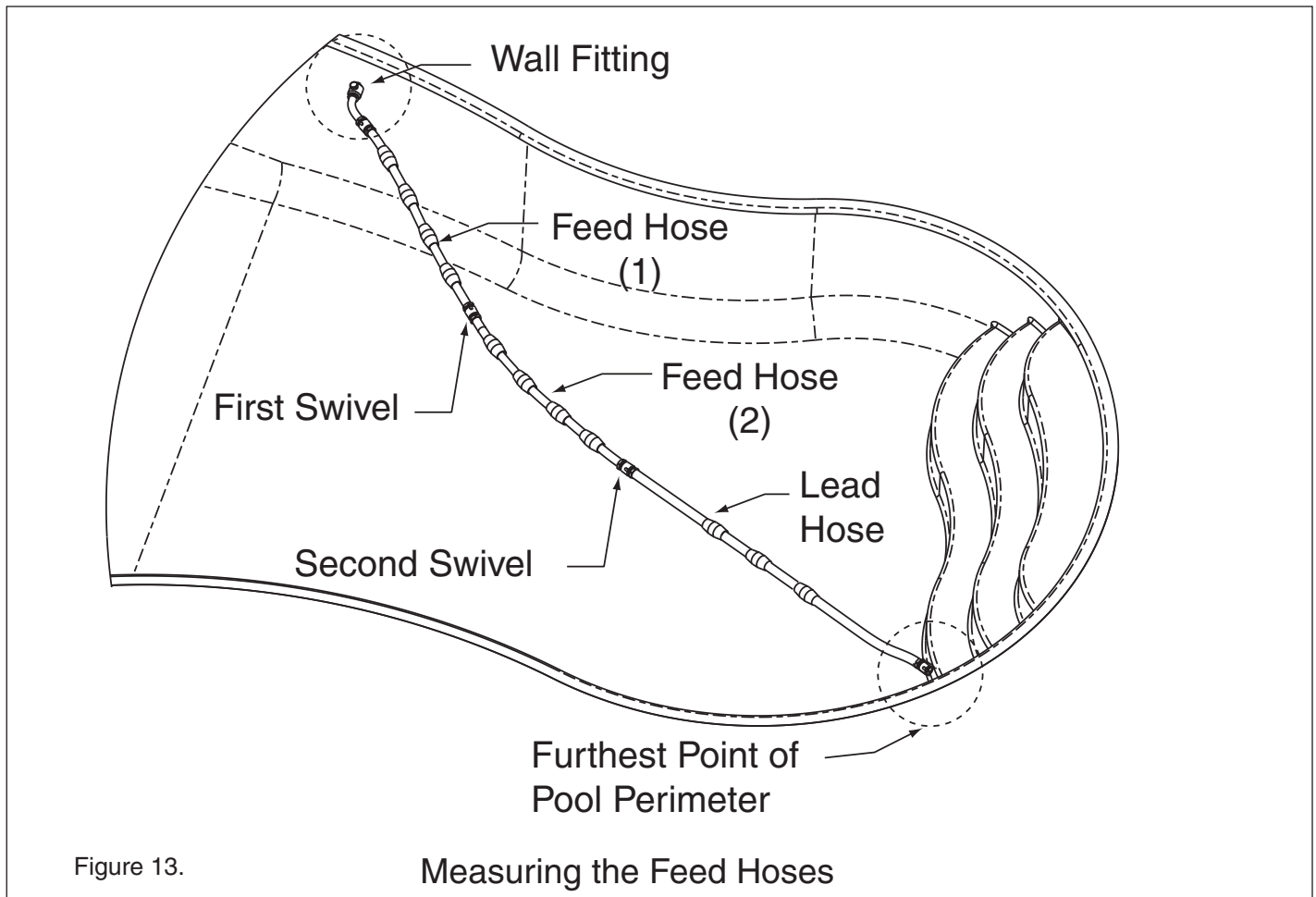
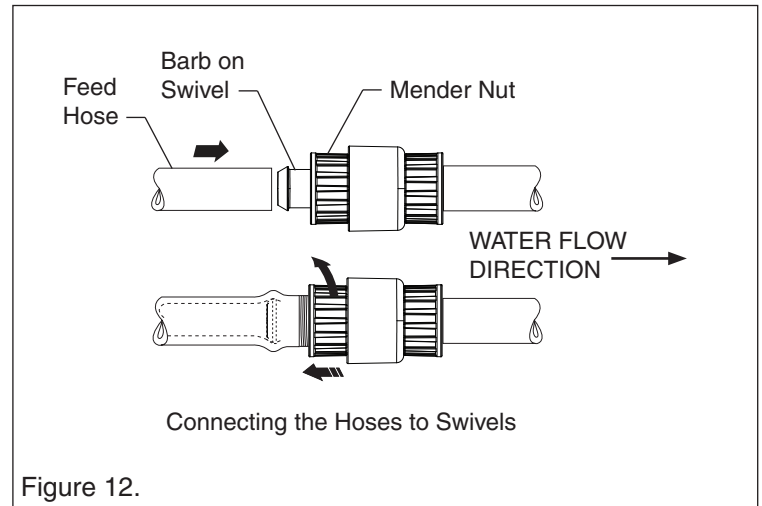


Figure 11.

Step 3: Connecting Hose Sections

- After the hose sections have been cut to size, reconnect them by pushing the hose end over the barb on the swivel.
Note: Be sure to push the hose all the way to the bottom of the barb.
Note: Be sure to push the hose all the way to the bottom of the barb.
- Move the mender nut toward the hose by turning clockwise and rotating until tight on hose. Use pliers if needed.
Note: Be sure the same number of floats are left on hose sections 2 and 3, as described in Step 2.
- To check that the hose is cut to the correct length, reconnect the hose and wall fitting to the wall adaptor. Take the opposite end of the hose assembly and walk to the farthest point of the pool from the wall adaptor. The hose should reach the edge of the pool but should not extend more than 15cm (6 inches) beyond the pool edge.
- You can now connect the cleaner to the hose.

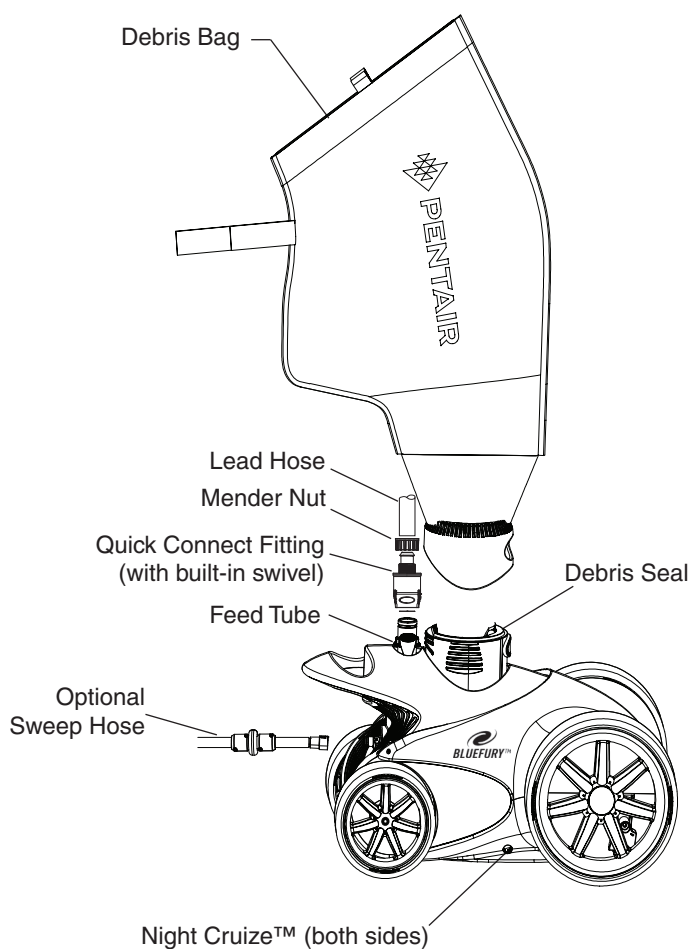


Assembling the Cleaner

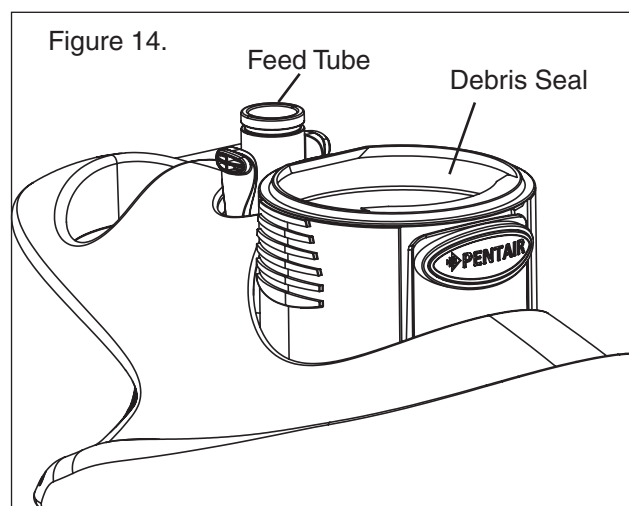
1. Attach the Quick Connect fitting on the end of the hose to the feed tube on the cleaner. Be sure the snaps are engaged.
2. Attach the debris bag to the cleaner. Push the bag over vacuum tube to click it into place.
3. Review checklist before use:
 - Hoses cut properly and floats evenly spaced.
 - Mender nuts are tight on feed hose.
 - Wall fitting secure and in place.
 - Debris bag and hose assembly attached.
 - Ensure debris seal is attached. **See figure 14.**

Using the cleaner

1. Lower the cleaner carefully into pool.
2. Switch ON the FILTER PUMP.
3. Wait at least 60 seconds to allow air to blow out of the hose.
4. Switch ON the BOOSTER PUMP.



Assembling the Cleaner



CLEANER ADJUSTMENTS AND OPERATION

Cleaner Operation

Note: The cleaner may need some minor adjustments to ensure it is operating properly and to get the best performance possible.

When operating correctly, the cleaner will travel in a random pattern throughout the pool, vacuuming and scrubbing the pool.

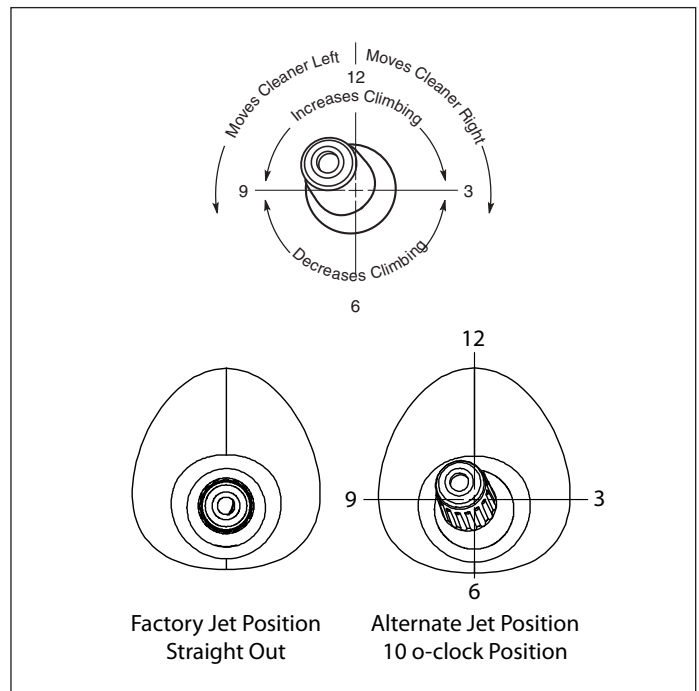
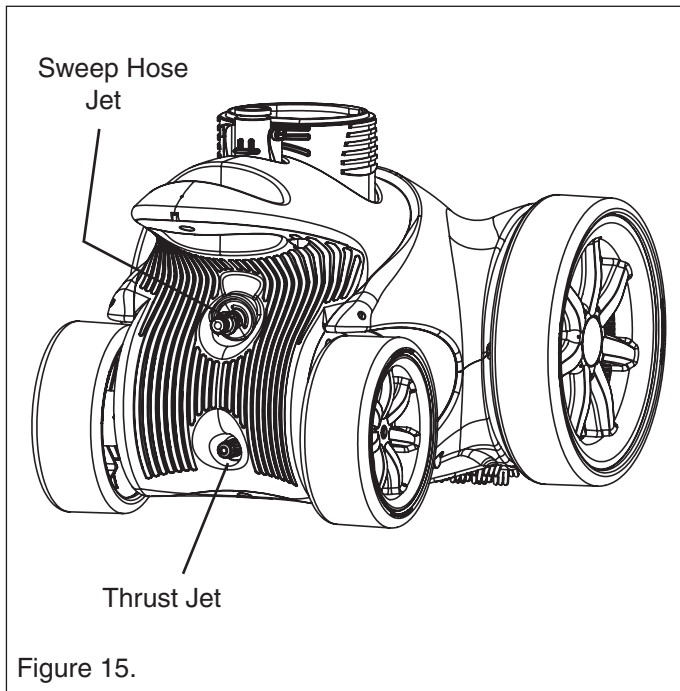
- The climbing ability of the cleaner depends on the pool structure and water flow.
- One hour cleaning cycle is recommended for average size residential (5 x 8m) pools.
- It will perform more efficiently in pools without sharp transitions between pool floor and walls.
- The cleaner goes into a reverse mode approximately every 2-1/2 minutes for approximately 15 seconds.
- If pool has a high level of debris, run the cleaner in two short cycles. Empty the debris bag between cycles.

Adjusting the Thrust Jet

The thrust jet is at the back of the cleaner below the sweep hose jet, and helps to power the direction of the cleaner. **See figure 15.**

You may need to adjust the thrust jet based on the pool shape, in order to get maximum cleaner coverage.

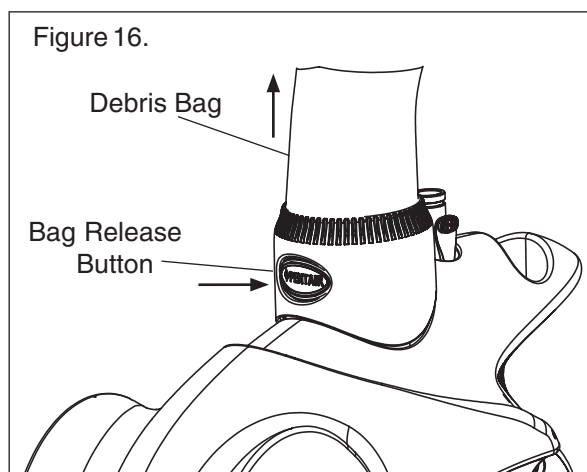
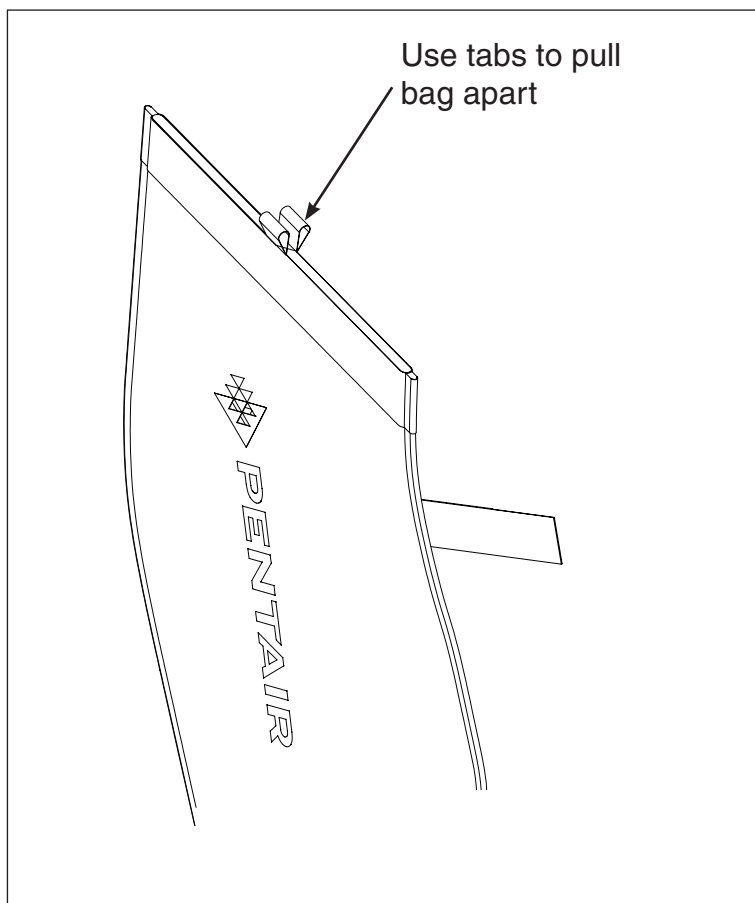
The alternate jet position shown below can help the climbing ability of the cleaner.



Cleaning the Debris Bag

1. Detach the bag strap from the hose.
2. Press the release button on the cleaner vacuum tube and carefully pull up to remove the bag from the cleaner. **See figure 16.**
3. Open bag closure by pulling apart the fabric tabs at the top of the bag. Holding the bottom of the bag, turn over to empty debris out of the top. If needed, rinse bag with a hose.
4. To close, press together the hook and loop fabric at the top of the bag and run finger along entire length of bag so it is completely closed.
5. Be sure debris seal is on the vacuum tube. **See figure 14 on previous page.**
6. Slide the debris bag collar over the vacuum tube until it clicks in place.
7. Re-attach the strap onto the feed hose.
8. To keep bag from folding during operation, attach the strap above first feed line float. Slide float down if needed.

Note: It is easier to empty the debris bag when it is dry. A second bag (purchased separately) may be used while the used debris bag is drying.



Adjusting the Sweep Hose Regulator when Sweep Hose is Installed

The sweep hose operates in a gentle sweeping motion to clean debris from hard to reach corners of pools.

Note: 1. Do not adjust the sweep hose regulator while cleaner is operational. This may damage cleaner.
2. The sweep hose must be used to adjust the sweep hose regulator.

1. If you do not plan on using the optional sweep hose, there is nothing more you need to do. To attach the optional sweep hose to the cleaner and open the sweep hose regulator, proceed to Step 2.

2. To attach the sweep hose to the BLUEFURY™ Pressure Side Pool Cleaner, line up the lock tabs on the inside of the sweep hose fitting (small round fitting on the end of the sweep hose) to the locking slots on the cleaner's sweep hose regulator. **See figure 17.**

3. The sweep hose regulator comes from the factory in the closed position. To open the sweep hose regulator, push the sweep hose fitting onto the sweep hose regulator. When it can not be pushed any further turn the sweep hose fitting **clockwise** until it stops (about 45 degrees). **See figure 18.** Pull out on the sweep hose fitting and the fitting will lock into place.

4. To remove the sweep hose and turn off the sweep hose regulator, hold the sweep hose fitting and turn it **counter-clockwise** until it stops (about 45 degrees). **See figure 18.** Pull the sweep hose fitting from the sweep hose regulator and store it in a safe place.

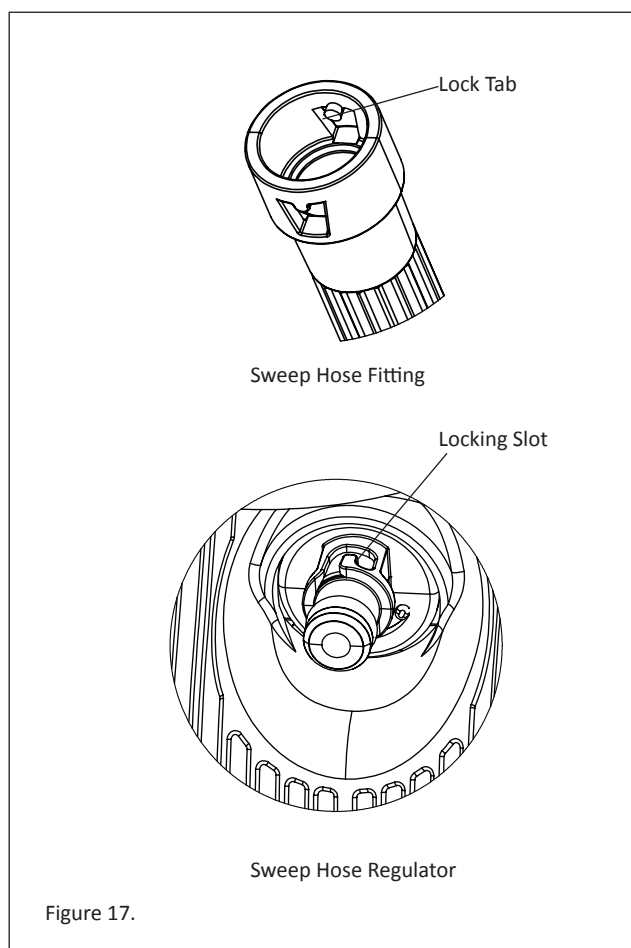
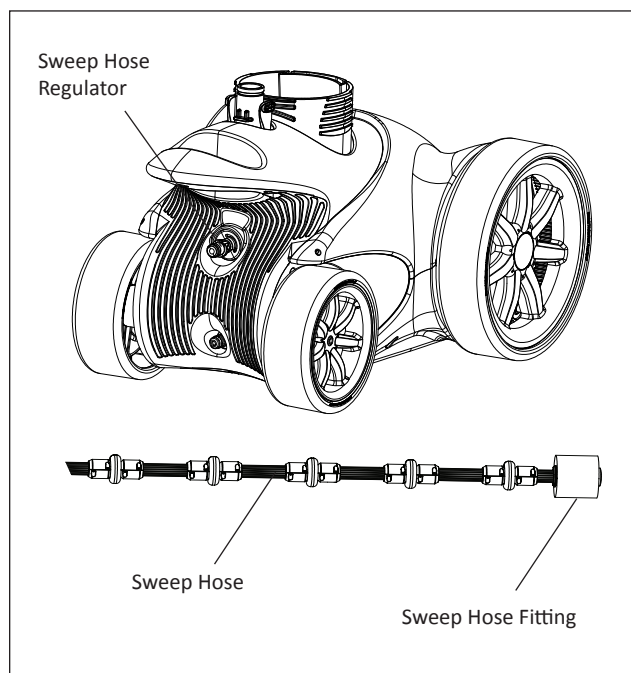


Figure 17.

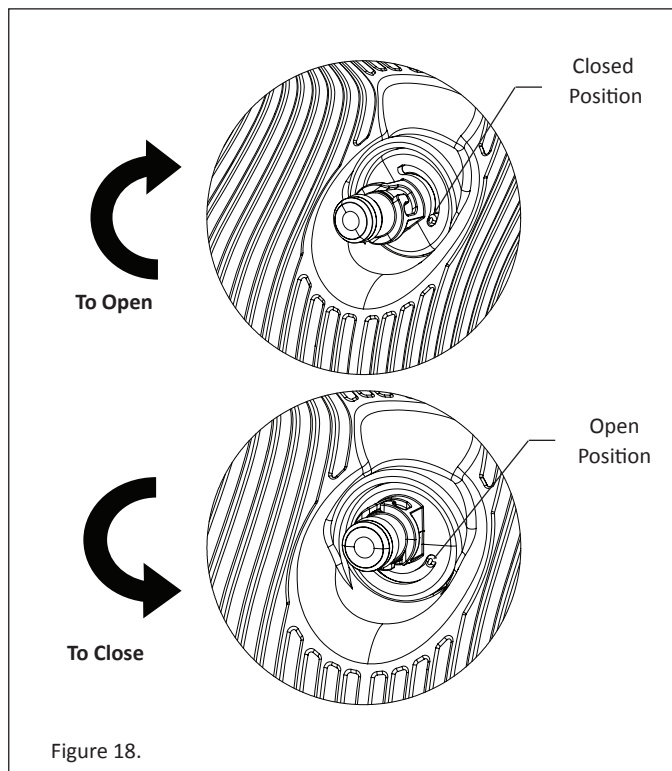


Figure 18.

MAINTENANCE

Periodic Maintenance

Periodically inspect the cleaner and its components. Replace and/or repair any worn or damaged components. Failure to follow instructions or improper installation of the cleaner can result in damage to the cleaner, pool finish, or vinyl liner.

The following parts are wear items that should be inspected periodically and replaced as needed.

Wall Fitting Screen

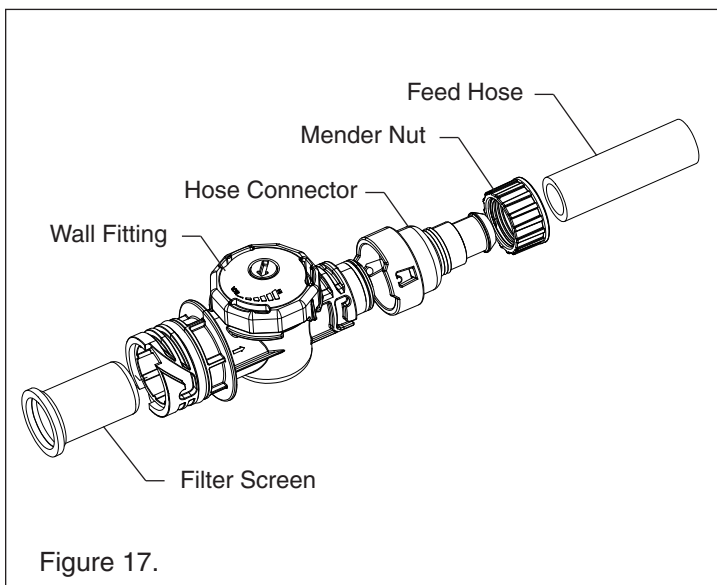
Inside the wall fitting is a stainless steel filter screen that acts as a secondary filter. This screen captures debris that may have passed through the pool filter.

A dirty screen may be an indication of potential issues in your pool filter system and you may need to contact your local pool professional.

Note: Running the cleaner without the filter screen can damage the cleaner and void the warranty.

To clean the filter screen:

1. Switch the booster pump and then the filtration pump off.
2. Remove the wall fitting from the wall adaptor.
3. Pull the screen out from inside the wall fitting.
4. Rinse thoroughly until clean and insert back inside the wall fitting.
5. Whenever cleaning, backwashing or repairing the pool filter, also clean the wall fitting screen after your first cleaner cycle.



Cleaning the Filter Screen

Tires

The tires are designed to protect the bottom of your pool and provide traction. Tires will wear and need to be replaced occasionally.

Debris Bags

The cleaner comes with a general purpose bag and is used for all debris types. Replace bag when the fabric is torn or punctured.

Note: To prolong the life of your cleaner, remove it from pool before adding chemicals.

Sweep Hose

The sweep hose is provided as an optional accessory to help keep hard to reach corners of your pool clean. Replace sweep hose scrubber as necessary if used.

Sweep Hose Roller Rings

Your sweep hose has a series of roller rings to protect the sweep hose. Replace the rings as needed. Ensure the roller rings rotate freely.

Backwashing the Pool Filter

Always disconnect the cleaner from the pool wall before cleaning or backwashing the pool filter. After cleaning or backwashing, let the pool filtration system and booster pump run for a minimum of five minutes to flush out the return lines before reconnecting the cleaner.

Storage and Winterizing

You may leave the wall adapter in the wall and store the hoses straight, without any kinks. If storing the hose coiled, be sure to lay the hose straight in the sun for 12 to 24 hours before using again. Use the flow gauge to be sure the flow is sufficient for cleaner operation.

Replacement parts

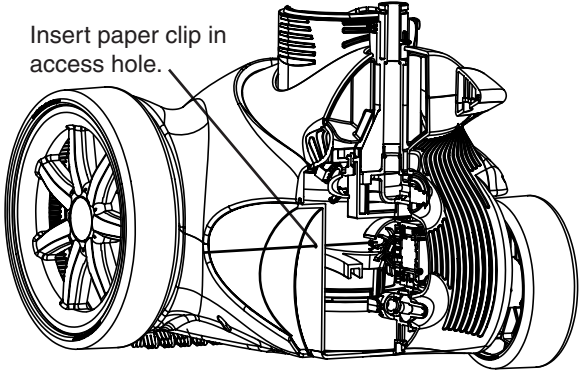
An up-to-date copy of the replacement part can be found on our website : www.pentairpooleurope.com

TROUBLESHOOTING

Use the following troubleshooting information to solve potential issues with the BLUEFURY™ Pressure Side Pool Cleaner.

Problem	Corrective Action
Cleaner doesn't move or moves slowly.	<p>Ensure filter pump and booster pump are on and moving water. (You may need to clean your pool filter system.)</p> <p>Ensure the wall fitting screen is free of debris; you may need to remove and rinse.</p> <p>Check for proper flow using Flow Gauge (provided). Adjust the flow at the wall fitting if needed.</p> <p>Check all feed hose connections and swivels for leaks.</p> <p>Check for debris that may be jammed in the gear teeth on one of the front drive wheels. Gently rotate the front wheels backward to dislodge debris.</p> <p>Check to see if the rear wheels are spinning freely. Replace wheels if necessary.</p>
Cleaner hangs at steps.	<p>Ensure the front (large) wheels reverse approximately every 2-1/2 minutes.</p>
Cleaner tilts to one side.	<p>Usually indicates a full debris bag. Empty the debris bag.</p> <p>Note: Cleaner at times will tilt on one side (on two wheels) during a turn cycle. Watch the cleaner for a few minutes to see if it positions itself upright.</p>
Cleaner does not go in reverse.	<p>Ensure the front (large) wheels reverse approximately every 2-1/2 minutes.</p> <p>Check for proper flow using Flow Gauge (provided). Adjust the flow at the wall fitting if needed.</p>
Cleaner will not climb.	<p>Check debris bag. Empty the debris bag if full.</p> <p>Check for proper flow using Flow Gauge (provided). Adjust the flow at the wall fitting if needed.</p> <p>Reposition the thrust jet to increase climbing.</p> <p>Note: The climbing ability of the cleaner depends on pool shape and available water flow. It will climb better in pools without sharp angles or in the transition from the pool floor to the pool wall.</p>
Hoses tangling in loops.	<p>Check the length of the feed hose. If it is too long it may cause the hose to tangle or loop.</p> <p>Ensure the feed hose is floating on the pool surface. Hose floats should be spaced approximately 60cm (two feet) apart.</p> <p>Ensure the hose swivels spin freely. Replace swivels if tight.</p> <p>Ensure the feed hose has no kinks or bends.</p>
Sweep hose caught in vacuum tube.	<p>Ensure the sweep hose regulator valve is fully open.</p>
Booster pump very noisy.	<p>Ensure filter pump and booster pump are on and moving water. (You may need to clean your pool filter system.)</p> <p>Ensure wall fitting is properly installed. If leaking, O-ring may need to be replaced.</p> <p>Contact your local pool professional - possible booster pump issue.</p>

TROUBLESHOOTING (Continued)

Problem	Corrective Action
Brush on front of cleaner is not spinning.	<p>Watch front wheels while cleaner is operating in the pool. The wheels and front brush should rotate simultaneously.</p> <p>Ensure the scrubber is free of tangled debris.</p>
Rear wheels dragging/not spinning.	<p>Ensure the wheel sleeve is free of tangled debris.</p> <p>Note: You may need to remove the wheel by pulling straight off sleeve to remove any tangled debris.</p>
Rear wheels falling off.	<p>Replace wheel and wheel sleeve.</p>
<p>Night Cruize™ LEDs are not illuminated during cleaner operation. (Note: LED operation does not affect cleaner performance.)</p>	<p>Debris may be clogging generator turbine. To clean debris from generator turbine: Find access hole under the left rear wheel by removing the wheel by pulling it straight off cleaner. Use a large paper clip and insert approximately 5cm (2in.) straight into the access hole, continue until the generator turbine paddle is felt and move paper clip until paddle rotates. Rotate the paddle several times with paper clip to clear the debris.</p> 

Steep Vinyl Liner Transitions

In some pools with deep diving ends the transition angle from the deep end to the shallow end may cause the BLUEFURY™ Pressure Side Pool Cleaner to have difficulty transitioning over this angle. If so, you may need to insert the tire wedges provided to help the cleaner make this transition. These wedges create a hump in the tire and help keep the cleaner from becoming obstructed. They are not required in all pools.

Note: Both wedges should be installed horizontally in line with each other. If they are not in line with each other they may cause the cleaner to have difficulty with the transition angle. This is important for proper cleaner operation. **See figure 20.**

1. To install the tire wedge, pull the rubber tire up from the plastic wheel and firmly push the insert between the tire and wheel. The smooth surface on the underside of the wedge should be inserted first, from the outside to the inside of the cleaner wheels. **See figure 21.** Be sure that the slots on the plastic wheel and the slots on the underside of the wedge lock into each other.
2. Push the wedge towards the nose of the cleaner body until the insert is securely seated behind the lip of the rubber tire. **See figure 20.**

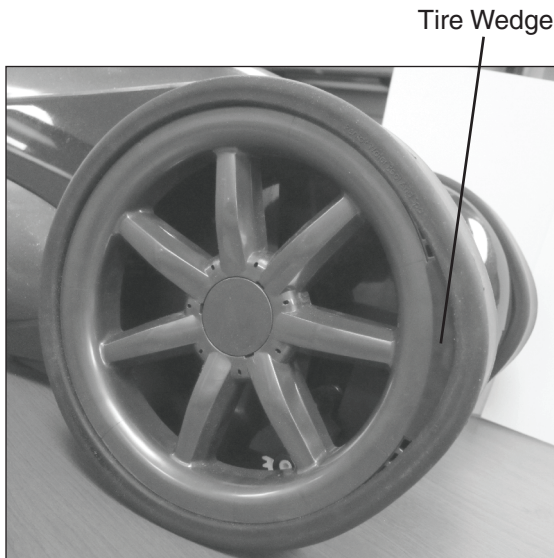


Figure 20.



Figure 21.

Kundendienst

HERENTALS, BELGIEN (8:30 A.M. to 4:30 P.M.) MEZ

Website : www.pentairpooleurope.comE-mail : poolemea@pentair.com**Konformitätserklärung**

Hiermit erklären wir unter unserer alleinigen Verantwortung, dass das Produkt, das in dieser Erklärung bezeichnet ist und auf das diese Erklärung bezieht, die wesentlichen Anforderungen der neuste Ausgabe der folgende Europäischen Richtlinien erfüllt :

- CENELEC EN 55015:2006

- CENELEC EN 61547:1995



Der Hersteller, Pentair Belgian, behält sich das Recht vor Produkte ohne vorherige Ankündigung soweit zu ändern, als diese Merkmale dadurch nicht massgeblich verändert werden.

© 2014 Pentair, Inc. Alle Rechte vorbehalten. Änderungen an diesem Dokument sind vorbehalten.

Alle Pentair Markenzeichen und Logos sind im Besitz von Pentair Inc. Pentair Aquatic Systems™ und BLUEFURY™ sind Warenzeichen und/oder eingetragene Warenzeichen von Pentair, Inc. und/oder seinen verbundenen Unternehmen in den Vereinigten Staaten und/oder anderen Ländern. Soweit nicht anders angegeben, dienen eventuell in diesem Dokument benutzte Namen und Marken anderer Unternehmen nicht zur Angabe einer Zugehörigkeit oder sonstigen Verbindung zwischen den Eigentümern dieser Namen und Marken und Pentair, Inc. Bei diesen Namen und Marken kann es sich um Warenzeichen oder eingetragene Warenzeichen dieser anderen Unternehmen handeln. Die Produkte und Leistungen von Pentair werden ständig optimiert. Daher behält Pentair sich das Recht auf Änderungen ohne vorherige Ankündigung vor.

Pentair ist ein Unternehmen, das Chancengleichheit fördert.

⚠ DANGER Wenn Sie sich nicht an die Vorschriften in dieser Gebrauchsanweisung halten, kann dies zu ernsthaften gesundheitsschädigenden Wirkungen oder sogar zu ernsthaften oder tödlichen Verletzungen führen. Wenn Sie sich nicht an die Vorschriften in dieser Gebrauchsanweisung halten, werden in allen Fällen alle Garantien und Haftbarkeit seitens des Herstellers für ungültig erklärt.

WICHTIGE WARNHINWEISE UND SICHERHEITSANWEISUNGEN

**Wichtiger Hinweis:**

⚠ WARNING Wichtiger Hinweis für den Monteur: Diese Anleitung enthält wichtige Informationen zur Montage, zum Betrieb und zur sicheren Benutzung dieses Produkts. Diese Unterlagen müssen nach der Installation des Poolreinigers an den Besitzer und/oder den Betreiber dieses Geräts weitergegeben werden.

Wichtiger Hinweis für den Benutzer: Dieses Handbuch enthält wichtige Informationen für den Betrieb und die Wartung dieses Poolreinigers. Bitte bewahren Sie es für zukünftige Einsichtnahme auf. Wenden Sie sich an Pentair, wenn Sie Fragen zu diesem Gerät haben.

Lesen und befolgen Sie alle in diesem Handbuch enthaltenen Warnhinweise und Anweisungen, bevor Sie das Produkt installieren. Bei Nichtbefolgung der Sicherheitswarnhinweise und -anweisungen kann es zu schweren Verletzungen, zum Tod oder zu Sachschäden kommen. An www.pentairpooleurope.com können Sie kostenlos weitere Exemplare dieser Anweisungen anfordern.

Konsumenteninformation und Sicherheit

Dieser Poolreiniger wurde so entworfen und hergestellt, dass er viele Jahre sicher und zuverlässig in Betrieb ist, wenn er gemäß den Anweisungen in diesem Handbuch installiert, betrieben und gewartet wird. Im gesamten Handbuch sind Sicherheitswarnungen und -hinweise durch das Symbol „ **⚠** “ gekennzeichnet. Alle diese Warnungen und Hinweise müssen beachtet und

⚠ WARNING eingehalten werden.

⚠ CAUTION Stoppen Sie die Pumpe, bevor das Gerät gereinigt wird. Während der Reiniger in Betrieb ist, darf der Pool nicht von Schwimmern benutzt werden.

Durch bewegliche Teile können Hände oder Finger verletzt werden. Stoppen Sie die Pumpe, bevor Sie versuchen, den Reinigungskopf zu säubern.

Allgemeine Informationen zur Montage

Checkliste vor der Installation

Bevor Sie Ihren Reiniger installieren, lesen Sie bitte alle Warnhinweise und Sicherheitsanweisungen in diesem Handbuch aufmerksam durch. Wenn diese Anweisungen nicht befolgt werden oder der Reiniger nicht ordnungsgemäß installiert wird, kann das zu einer Beschädigung der Pool-Oberfläche oder der Vinylverkleidung führen. Die meisten Reiniger sind nicht dafür ausgelegt, vom Boden auf die Wand zu wechseln, wenn die Poolwölbung 90 % beträgt. Im Pool können sich auch andere Strukturen befinden, die der Reiniger nicht bewältigen kann. SEIEN SIE VORSICHTIG und überwachen Sie den Reiniger unter besonderen Bedingungen. Pentair Aquatic Systems lehnt jede Haftung für Reparaturen oder Ersatz solcher Strukturen oder Bauteile im Pool des Kunden ab.

Vor der Installation des Reinigers in einem Pool mit Vinylverkleidung:

Überprüfen Sie die Verkleidung sorgfältig auf Zeichen von Verschleiß, Beschädigungen aufgrund von Alterung, Beschädigung der Poolwand usw. Bei einer etwaigen Beschädigung ist ein qualifizierter Poolspezialist mit der Durchführung der notwendigen Reparaturen zu betrauen. Auch sämtliche Steine, Wurzeln usw., die sich eventuell unter der Verkleidung befinden, müssen vor der Installation des Reinigers entfernt werden.

Vor der Installation des Reinigers in einem Spritzbeton-Pool bzw. eines teilweise oder vollständig verfliesten Pool:

Vergewissern Sie sich, dass sich die Oberfläche des Pools in einem guten Zustand befindet, da sich Verschmutzung, Verätzungen, Sprünge oder Delaminierungen verschlechtern könnten. Reparieren Sie lose Fliesen und befestigen Sie etwaige lose Lichtringe.

Säubern Sie Ihr Filtersystem, bevor Sie den Reiniger installieren:

Sorgen Sie dafür, dass Sie den Filter gereinigt haben, einschließlich Rückspülung, Spülen und Leeren aller Körbe. Ein sauberes System ist die Voraussetzung für den ordnungsgemäßen Betrieb und die Leistung des Reinigers.

Beachten Sie die Leistungsdaten des Reinigers, bevor Sie ihn installieren:

Der Reiniger ist so ausgelegt, dass Ihr Pool in ca. 4 bis 6 Stunden schmutzfrei ist. In Abhängigkeit von der Poolgröße ist gegebenenfalls weniger Zeit erforderlich. Der Reiniger wurde nicht für die automatische Reinigung von Treppen oder Leitern oder den Betrieb unter einem Sonnenschutz konzipiert. In solchen Bereichen kann der Reiniger stecken bleiben, was zu einer Beschädigung der Pool-Oberfläche bzw. der Vinylverkleidung führen kann. Pentair Aquatic Systems lehnt jede Haftung für Reparaturen oder Ersatz solcher Strukturen oder Bauteile im Pool des Kunden ab. Auch wurde er nicht für die Erstreinigung eines neuen Pools oder eines Pools zu Saisonbeginn konstruiert.

Kontrollieren Sie NACH der Montage des Geräts die richtige Funktion des Reinigers:

Gegebenenfalls müssen ein paar kleinere Anpassungen vorgenommen werden, um die ordnungsgemäße Funktion zu gewährleisten und die Oberfläche des Pools nicht zu beschädigen. Bestimmte Strukturen von Vinylverkleidungen sind besonders anfällig gegenüber Oberflächenverschleiß, Strukturabtrag, Farbabrieb oder schwere Kratzer an der Struktur, wenn Gegenstände wie auch automatische Poolreiniger mit der Vinyloberfläche in Kontakt kommen. Pentair Aquatic Systems übernimmt keine Verantwortung für Strukturabtrag, Abrieb oder Spuren auf Vinylverkleidungen. Überprüfen Sie regelmäßig die Bauteile und die Leistung des Reinigers, um sicherzustellen, dass er wie vorgesehen funktioniert. Sämtliche verschlissenen oder beschädigten Teile müssen ersetzt und/oder repariert werden. Wenn die Anweisungen nicht befolgt werden oder der Reiniger nicht ordnungsgemäß installiert wird, kann das eventuell zu einer Beschädigung des Reinigers, der Pool-Oberfläche oder der Vinylverkleidung führen.

Allgemeine Geschäftsbedingungen der beschränkten Garantie

Bevor Sie Ihren Reiniger installieren, lesen Sie bitte alle Warnhinweise, Sicherheitsanweisungen und Garantieinformationen in diesem Handbuch aufmerksam durch. Wenn diese Anweisungen nicht befolgt werden oder der Reiniger nicht ordnungsgemäß installiert wird, kann das zu einer Beschädigung der Pool-Oberfläche oder der Vinylverkleidung führen. Pentair Aquatic Systems lehnt jede Haftung für Reparaturen oder Ersatz solcher Strukturen oder Bauteile im Pool des Kunden ab.

BEGRENZTE GARANTIE : 2 YEARS

Weitere Informationen bei : www.pentairpooleurope.com

Haftungsausschluss - Informationen zu Ihrem Pool und Ihrem druckseitigen Poolreiniger

Es gibt viele Faktoren, die einen Einfluss auf die Lebensdauer Ihres Pools haben. Der Poolreiniger ist ein äußerst passives Produkt, das sich nicht auf die Lebensdauer des Pools auswirkt.

Bitte beachten Sie, dass im Laufe der Zeit bei jeder Pool-Oberfläche Verschleißerscheinungen, Verfärbungen und Sprödigkeiten auftreten können, die durch Alter, unausgeglichene Pool-Chemikalien falsche Installation und andere Faktoren bzw. eine Kombination davon bedingt sind. Druckseitige Poolreiniger sind nicht für die Entfernung oder Abnutzung von „gutem“ Pool-Kunststoff verantwortlich. In Wirklichkeit trifft das Gegenteil zu: Der Pool-Kunststoff sorgt für eine Abnutzung des Poolreinigers.

Das gleiche gilt auch für in den Boden eingelassene Swimming Pools mit Vinylverkleidung, da die Vinylverkleidungen auch der Umwelt und Faktoren wie Poolwasserchemie, Sonnenlicht und Pool-Umgebung ausgesetzt sind. Daher kann es vorkommen, dass das Vinyl mit der Zeit ein wenig spröde und schwach wird. Darüber hinaus sind Pools mit Vinylverkleidung von der Verarbeitungsgüte, Zusammensetzung und Installation der Verkleidung sowie der Ausführung und Bauqualität der Stützwände und des Poolbodens betroffen. Diese Faktoren können alle zu Fehlern bei der Verkleidung führen. Das Vorhandensein solcher Bedingungen in Ihrem Pool ist nicht durch die Verwendung oder den Betrieb des Poolreinigers bedingt. Der Hersteller lehnt jede Haftung für Reparaturen oder Ersatz solcher Strukturen oder Bauteile im Pool des Kunden ab.

Der Schwimmbadeigentümer muss sämtliche Verantwortung für den Zustand und die Wartung der Oberfläche, des Wassers und des Decks des Pools übernehmen.

Notieren Sie sich bitte vor der Installation des Reinigers die Seriennummer. Diese Nummer befindet sich auf Ihrer Garantiekarte sowie auf der Rückseite des Reinigers neben den hinteren Düsen. Wenn Sie Kontakt mit dem Technischen Support aufnehmen, müssen Sie diese Nummer angeben.

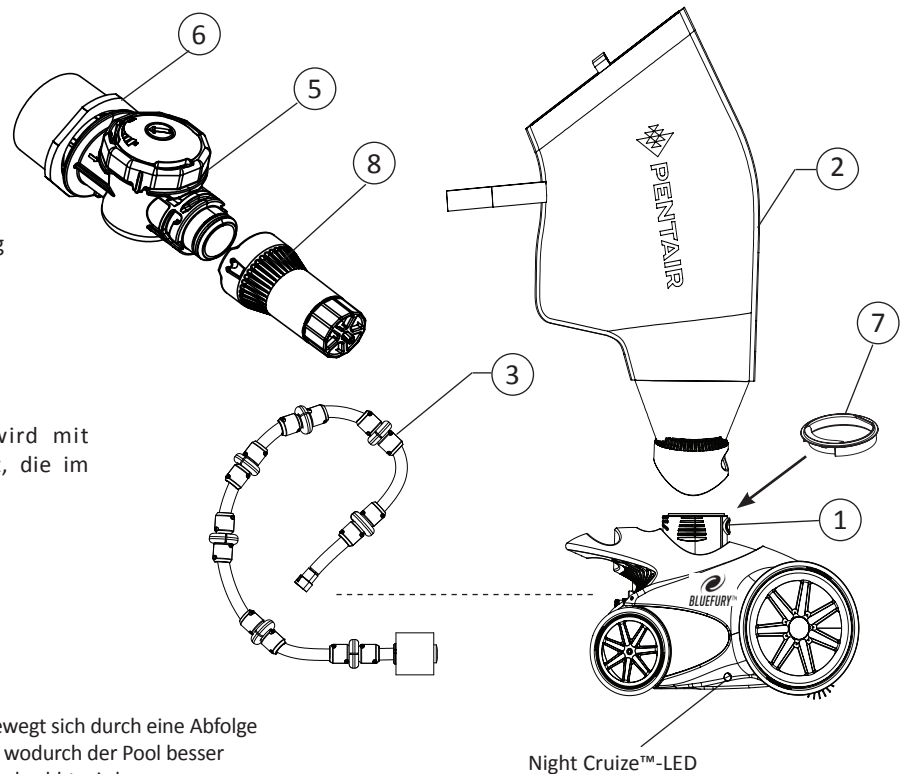
SERIENNUMMER _____

Bestandteile des Reinigers

1. BLUEFURY Reinigungskopf
2. Fremdkörperbeutel
3. Fegeschlauch (in den meisten Pools nicht benötigt)
4. Zulaufschlauchsatz – ohne Abbildung (3 Abschnitte zu je 3 m)
5. Wandverbindung
6. Wandadapter
7. Fremdkörperdichtung
8. Durchflussmessgerät

Hinweis: Das Reinigungssystem wird mit einer Fremdkörperdichtung geliefert, die im Reinigungskopf installiert ist.

8. Durchflussmessgerät



ÜBERSICHT

Der BLUEFURY™ Druckseitige Poolreiniger bewegt sich durch eine Abfolge von geraden, Rechts- und Linksbewegungen, wodurch der Pool besser abgearbeitet und vollständig gesaugt und geschrubbt wird.

- Um eine fortlaufende, ununterbrochene Reinigung zu gewährleisten, wird der Reiniger etwa alle zwei Minuten in den Rückwärtsmodus geschaltet, wodurch eine effiziente Reinigung des gesamten Pools ermöglicht wird.

Hinweis: Lesen Sie diese wichtigen Anweisungen, bevor Sie den Reiniger installieren und in Betrieb nehmen.

1. Entfernen Sie den Reiniger stets von der Poolwand, wenn Sie den Poolfilter reinigen oder rückspülen.
2. Lassen Sie das Filtrationssystem nach der Reinigung oder Rückspülung des Filters mindestens fünf Minuten laufen, bevor Sie den Reiniger wieder anschließen.
3. Neue Installationsrohre müssen vor der Installation des Reinigers durchgespült werden.
4. Der Reiniger darf in neuen Pools nicht zur Entfernung von Verputzstaub verwendet werden.
5. Der Reiniger muss immer entfernt werden, bevor der Pool zum Schwimmen benutzt wird.
6. Behandeln Sie den Reiniger stets mit Sorgfalt.
7. Fassen Sie den Reiniger immer nur beim Griff an, besonders wenn Sie das Gerät aus dem Wasser heben.
8. Berühren Sie den Reiniger nicht, wenn er in Betrieb ist.
9. Vor chemischen Schockbehandlungen (Superchlorierung) muss der Reiniger immer aus dem Pool entfernt werden. Als Faustregel gilt, dass Poolwasser, in dem nicht geschwommen werden sollte, auch nicht für den Reiniger geeignet ist.
10. Schneiden Sie den Zulaufschlauch sorgfältig gemäß den Anweisungen ab.
11. Wenn Sie diese einfachen Anweisungen befolgen, helfen Sie mit, Verletzungen vorzubeugen und die Lebensdauer Ihres Reinigers zu verlängern.
12. Weitere Montageanweisungen und Sicherheitsinformationen finden Sie auf den Seiten ii bis iii unter "Wichtige Warnhinweise und Sicherheitsanweisungen".
13. Bevor Sie Ihren BLUEFURY Poolreiniger installieren: Falls eine Salzelektrolyse, ein Solarsystem, ein Ozon-Generator oder eine Lufternspritzung vorhanden ist, wenden Sie sich bitte an den Technischen Support.

INSTALLATION

Installation einer Druckerhöhungspumpe

Bitte beachten Sie die Installationsanweisungen in der Installationsanleitung Ihrer Druckerhöhungspumpe.

Bitte befolgen Sie diese Anweisungen sorgfältig.

Installation der Wandverbindung und des Wandadapters

1. Entfernen Sie alle bestehenden Poolreiniger und/oder Wandverbindungen und unterbrechen Sie die Stromversorgung.
2. Schalten Sie die Filterpumpe und die Druckerhöhungspumpe **ein**, um die Installationsrohre durchzuspülen.
3. Schalten Sie die Filterpumpe und die Druckerhöhungspumpe **aus**.
4. Schließen Sie den Wandverbindungsadapter an die dafür vorgesehene Rückleitung mit NPT-Gewinde an. Ziehen Sie von Hand fest an. **Siehe Abbildung 3.**
5. Richten Sie die Wandverbindung mit den Schnellverschlusszapfen im Inneren des Wandadapters aus. Drücken Sie die Wandverbindung bis zum Anschlag in den Wandadapter. Drehen Sie die Wandverbindung um eine Vierteldrehung im Uhrzeigersinn, um sie zu sperren. **Ziehen Sie sanft nach außen, um die Schnellverschlusszapfen zu betätigen.** Siehe Abbildung 3.

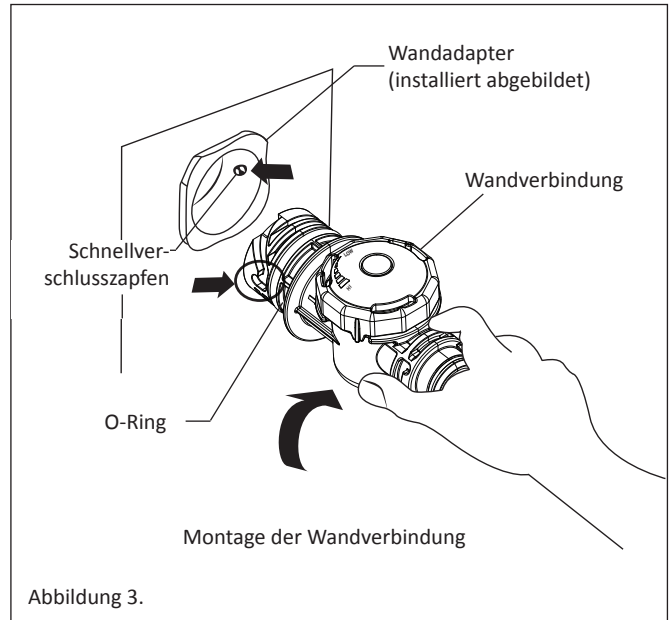


Abbildung 3.

Einstellung des Wasserstroms zum Reiniger

WICHTIG! Bevor dieser Vorgang gestartet wird, müssen die Filterpumpe und die Druckerhöhungspumpe abgeschaltet werden.

1. Befestigen Sie das Durchflussmessgerät an der Wandverbindung, indem Sie die beiden Etiketten auf dem Durchflussmessgerät mit den Nuten in der Wandverbindung ausrichten. **Siehe Abbildung 4.** Drücken und drehen Sie das Durchflussmessgerät im Uhrzeigersinn bis zum Anschlag und ziehen Sie es dann leicht von der Wand weg. Vergewissern Sie sich, dass das Durchflussmessgerät sicher in seiner Position arretiert ist, indem Sie es gegen den Uhrzeigersinn drehen und dabei leicht nach außen ziehen. **Siehe Abbildung 5.**

Hinweis: Das Durchflussmessgerät dreht sich nicht, wenn es in seiner Position arretiert ist.

2. Schalten Sie die Filterpumpe und dann die Druckerhöhungspumpe ein.
3. Vergewissern Sie sich, dass die weiße Sauglocke (im Inneren des Durchflussmessgeräts) innerhalb der Box auf dem Durchflussmessgerät ausgerichtet ist. **Siehe Abbildung 6.**
4. Stellen Sie das Ventil auf der Wandverbindung mithilfe eines Schlitzschraubendrehers ein, indem Sie das Ventil im Uhrzeigersinn (zur Verringerung des Durchflusses) bzw. gegen den Uhrzeigersinn (zur Erhöhung des Durchflusses) drehen und so die weiße Sauglocke mit den Pfeilen auf den Markierungen des Durchflussmessgeräts ausrichten. **Siehe Abbildung 7.**
5. Schalten Sie die Druckerhöhungspumpe und dann die Filterpumpe aus.
6. Entfernen Sie das Durchflussmessgerät von der Wandverbindung, indem Sie es hinein drücken und gegen den Uhrzeigersinn drehen und das Messgerät dann herausziehen.
7. Befestigen Sie den Schlauchsatz an der Wandverbindung. Drehen Sie sie im Uhrzeigersinn und drücken Sie sie dann um ein Viertel hinein, um die Position zu sichern (wie in Schritt 2 beschrieben).

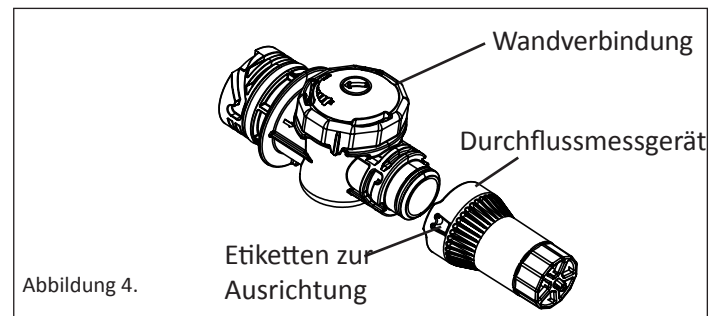


Abbildung 4.

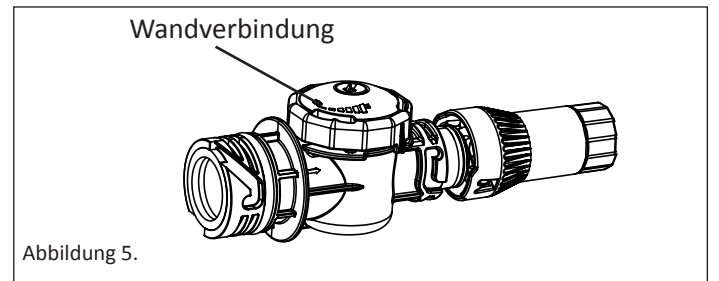
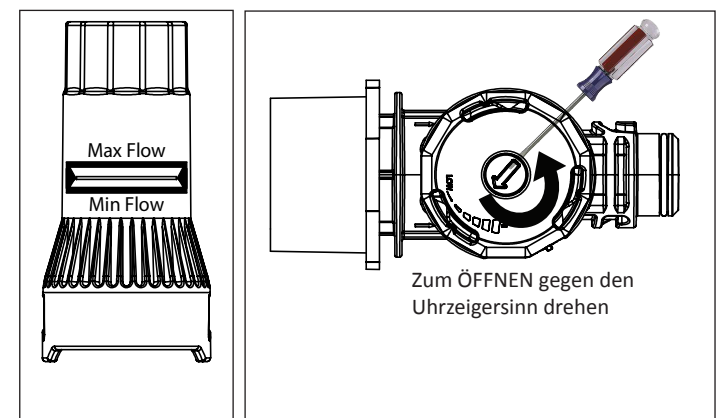


Abbildung 5.



Berechnung der Reinigungsgeschwindigkeit (U/min)

1. Um zu bestimmen, ob der BLUEFURY™ Druckseitige Poolreiniger den richtigen Wasserdruck erhält, schalten Sie die Poolpumpe ab und entfernen Sie den Reiniger vorsichtig aus dem Pool.
2. Kennzeichnen Sie den Vorderreifen bzw. das Vorderrad mit einer Markierung, etwa einem unter dem Reifen eingeklemmten Grashalm.
3. Lassen Sie jemanden die Poolpumpe und die Druckerhöhungspumpe wieder einschalten während Sie den Reiniger etwas unter der Wasseroberfläche platzieren.

Hinweis: Halten Sie den Fegeschlauch fest (sofern installiert), damit Sie nicht nass werden wenn beim Einschalten der Pumpe in der Fegeschlauchregelung wieder ein Durchfluss auftritt.

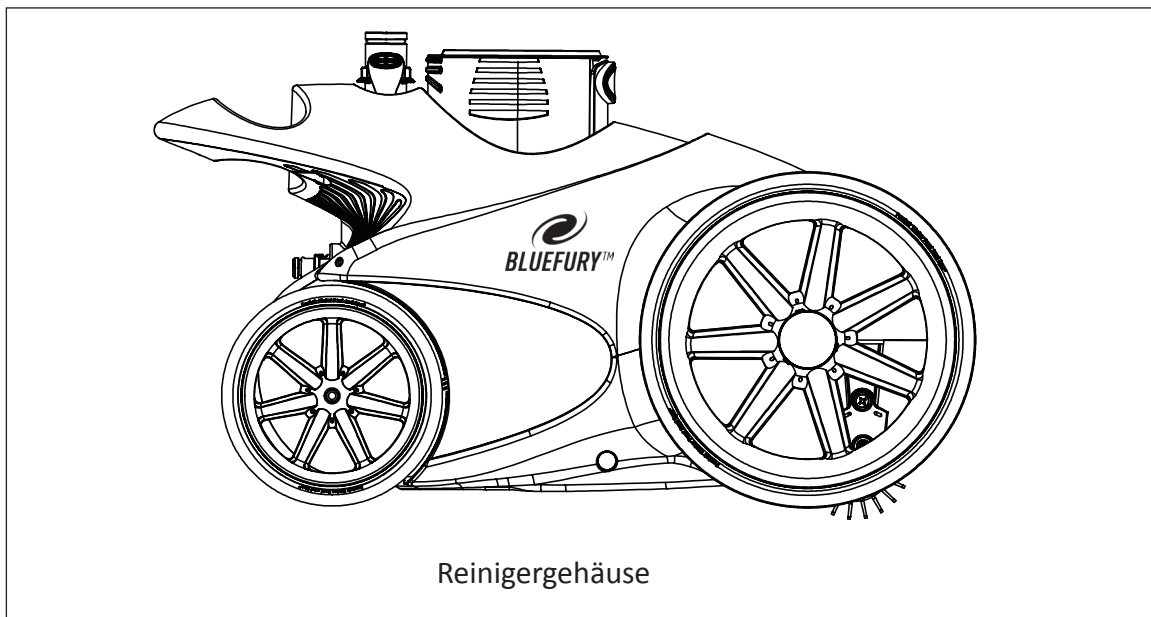
4. Zählen Sie die vollständigen Umdrehungen des markierten Rades während der Zeitspanne von einer Minute. Die Anzahl der Umdrehungen ergibt die Drehzahl bzw. Umdrehungen pro Minute.

Hinweis: Vergewissern Sie sich, dass sich dabei das Backup-Ventil nicht dreht.

5. Bei ordnungsgemäßer Leistung arbeitet der BLUEFURY Reiniger mit 31–33 U/min (bei installiertem Fegeschlauch) bzw. mit 33–36 U/min (ohne Fegeschlauch).

Fällt die Drehzahl unter 31 (bei installiertem Fegeschlauch) bzw. 33 (ohne Fegeschlauch), kontaktieren Sie Ihren Pool-Experten vor Ort oder den Technischen Support von Pentair

Liegt die Drehzahl über 33 (bei installiertem Fegeschlauch) bzw. 36 (ohne Fegeschlauch), justieren Sie das Ventil an der Wandverbindung wie unter "Einstellung des Wasserstroms zum Reiniger", bis die Drehzahl wieder in den optimalen Bereich fällt.



Anpassen der Schlauchsatzes an den Pool

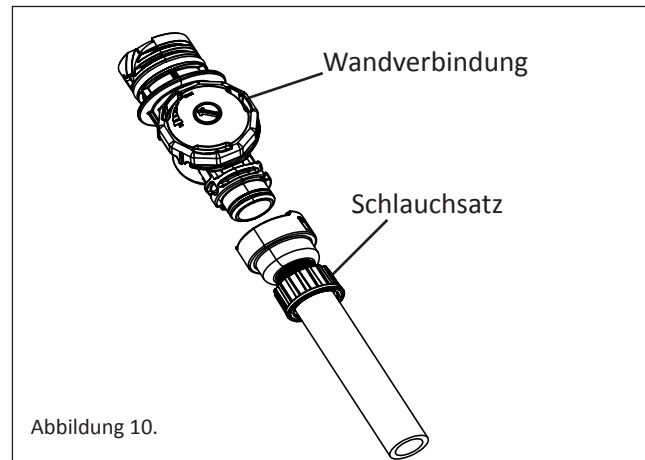
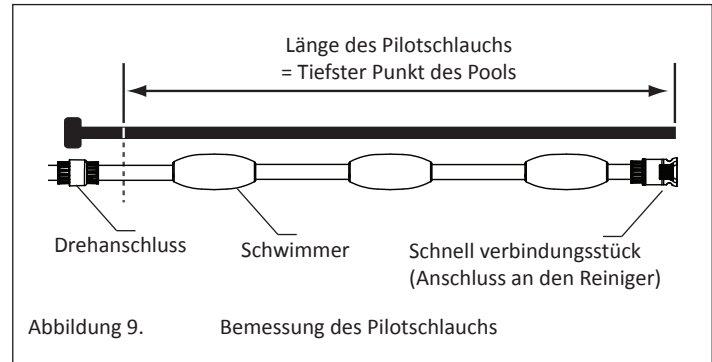
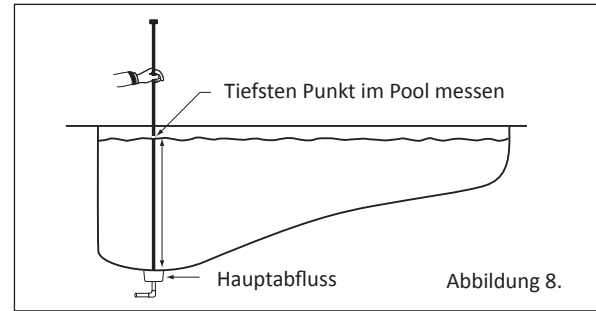
Der Schlauchsatz besteht aus folgenden Teilen: Drei (3) 3 m lange Abschnitte, nämlich ein (1) weicher, hellgrauer Pilotschlauch, und zwei (2) steifere, dunkelgraue Zulaufschläuche.

Wichtig für die Leistung des Reinigers:

Messen, kürzen und installieren Sie die Schlauchabschnitte wie in Schritt 1 und Schritt 2 beschrieben. Verwenden Sie eine kräftige Schere oder ein scharfes Messer zum Abschneiden der Schläuche. Achten Sie darauf, dass die Schwimmer beim Abschneiden der Schläuche nicht im Weg sind. Schneiden Sie die Schlauchenden so gerade wie möglich ab.

Schritt 1: Dimensionierung des 1. Schlauchabschnitts

- Messen Sie den tiefsten Punkt im Pool. **Siehe Abbildung 8.**
Hinweis: Der Hauptabfluss (Gitter oder Vertiefung) am Boden des Pools befindet sich gewöhnlich am tiefsten Punkt. Beträgt die Tiefe mehr als 3 m, schneiden Sie den Schlauch nicht ab und fahren Sie mit Schritt 2 fort.
- Beträgt die Tiefe des Pools weniger als 3 m, entfernen Sie den weichen, hellgrauen mit Abschnitt 1 gekennzeichneten Pilotschlauch vom Drehanschluss. Kürzen Sie den Pilotschlauch so, dass die Länge dem tiefsten Teil des Pools entspricht. **Siehe Abbildung 9.**
Beispiel: Wenn die Tiefe des Pools 2,6 m beträgt, schneiden Sie 40 cm vom Schlauch mit der Kennzeichnung Abschnitt 1 ab (da die Länge 3 m beträgt).
- Entsorgen Sie den überflüssigen Schlauch. Schließen Sie den neu zugeschnittenen Pilotschlauch wieder an den Zulaufschlauch an. Alle drei Schlauchabschnitte sollten jetzt angeschlossen sein.

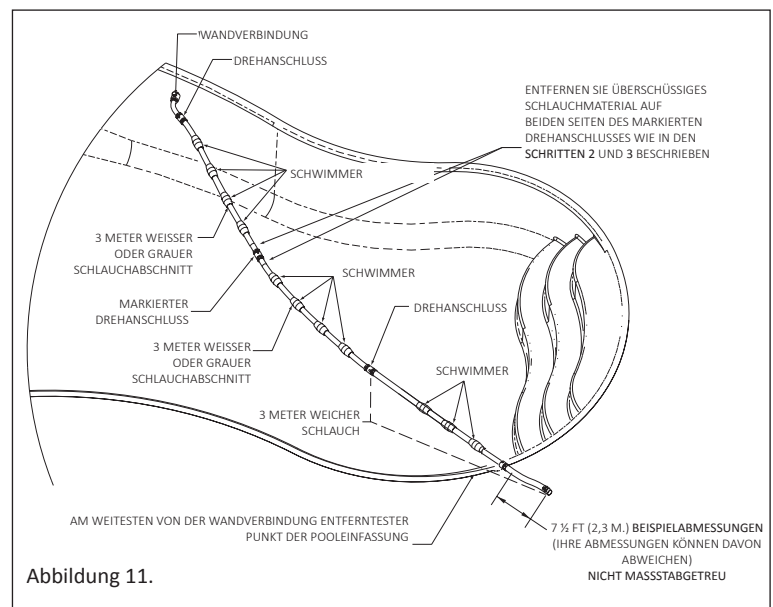


Schritt 2: Dimensionierung des 2. und 3. Schlauchabschnitts

- Befestigen Sie den Schlauchsatz an der Wandverbindung. **Siehe Abbildung 10.** Befestigen Sie dann die Wandverbindung (mit Schlauch) am Wandadapter. **Siehe Abbildung 10.** Nehmen Sie das andere Ende des Schlauchsatzes und gehen Sie zu jenem Punkt des Pools, der am weitesten vom Wandadapter entfernt ist. **Um eine Überdehnung des Schlauchs zu verhindern, lassen Sie den Schlauch auf dem Poolwasser schwimmen.** Messen Sie die überschüssige Schlauchlänge (jener Teil des Schlauchs, der über den Rand des Pools hinausragt). Dadurch wird die Schlauchlänge bestimmt, die von den Abschnitten 2 und 3 abgeschnitten werden muss.
- Trennen Sie den Schlauchsatz vom Wandadapter. Trennen Sie die Abschnitte 2 und 3 vom ersten Drehanschluss, der sich am nächsten zur Wandverbindung befindet.
- Schneiden Sie jeweils die Hälfte der gesamten überschüssigen Länge von den mit Abschnitt 2 bzw. 3 gekennzeichneten Schläuchen (mit vier Schwimmern ausgestattet) ab. **Beide Abschnitte des Zulaufschlauchs sollten nach der Kürzung die gleiche Länge haben.**
Beispiel: Es gibt 1,8 m überschüssigen Schlauch. Schneiden Sie jeweils 90 cm von jedem Schlauch ab. (Die Hälfte von 1,8 m beträgt 90 cm.)

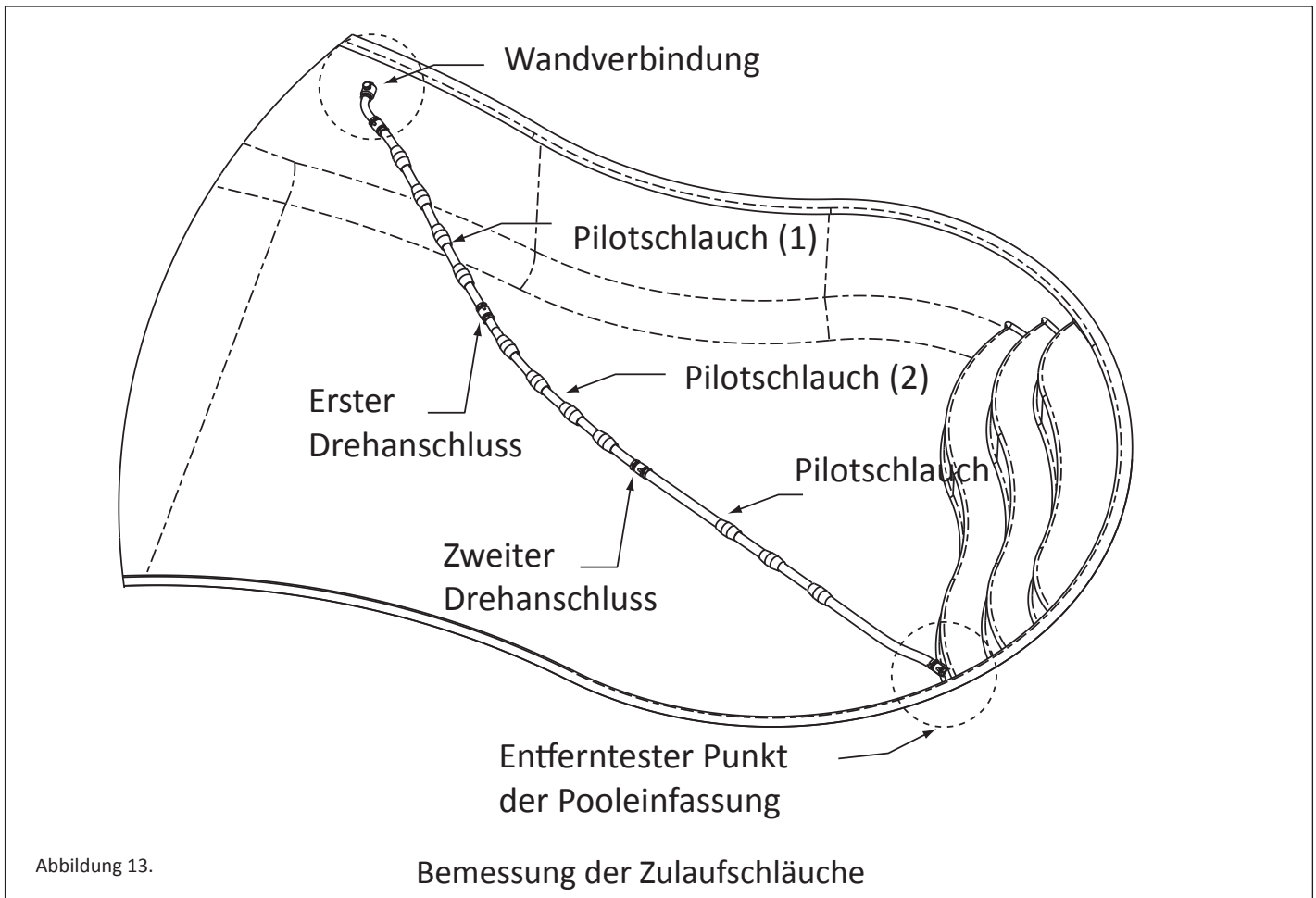
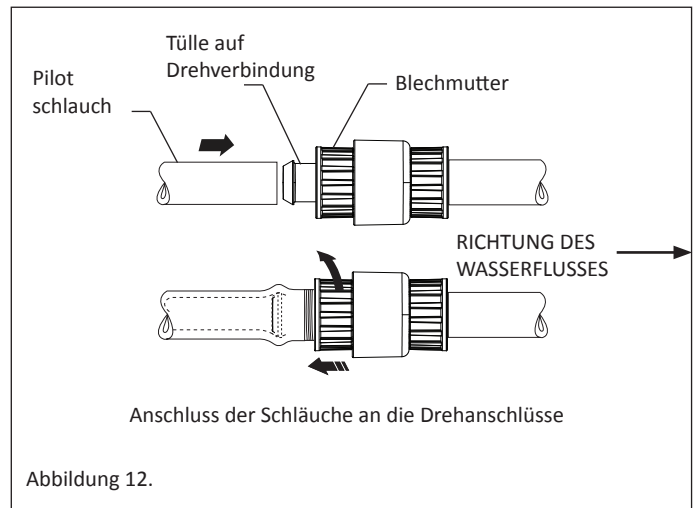
Wenn jeweils mehr als 90 cm von den einzelnen Schlauchabschnitten abgeschnitten wird, entfernen Sie aus jedem Abschnitt einen (1) Schwimmer.

Hinweis: Für große Pools müssen Sie einen (1) Zusatzschlauch, Bestell-Nr. 360265 (3 m Einzelschlauch) kaufen. Befestigen Sie die zusätzlichen Schlauchabschnitte mithilfe der mitgelieferten Drehanschlüsse und Blechmutter an der Wandverbindung.



Schritt 3: Anschluss der Schlauchabschnitte

1. Nachdem die Schlauchabschnitte in der richtigen Länge abgeschnitten wurden, schließen Sie sie wieder an, indem Sie das lose Ende über die Tülle an der Drehverbindung ziehen.
Hinweis: Der Schlauch muss bis zum Anschlag über die Tülle gezogen werden.
2. Bewegen Sie die Blechmutter in Richtung Schlauch, indem Sie sie im Uhrzeigersinn drehen, bis sie fest auf dem Schlauch sitzt. Verwenden Sie dazu gegebenenfalls eine Zange.
Hinweis: Wie in Schritt 2 beschrieben, müssen sich in den Abschnitten 2 und 3 jeweils die gleiche Anzahl von Schwimmern befinden.
3. Um zu überprüfen, ob der Schlauch auf die richtige Länge gekürzt wurde, schließen Sie den Schlauch und die Wandverbindung wieder an den Wandadapter an. Nehmen Sie das andere Ende des Schlauchsatzes und gehen Sie zu jenem Punkt des Pools, der am weitesten vom Wandadapter entfernt ist. Der Schlauch muss bis zum Poolrand reichen, darf aber nicht mehr als 15 cm über den Poolrand reichen.
4. Sie können den Reiniger jetzt an den Schlauch anschließen.

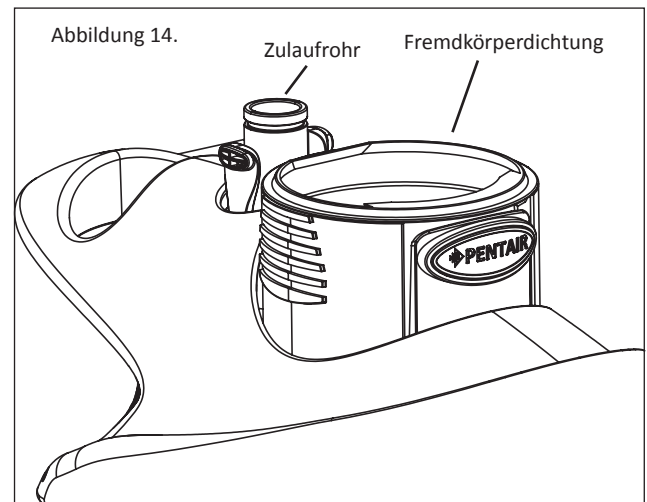
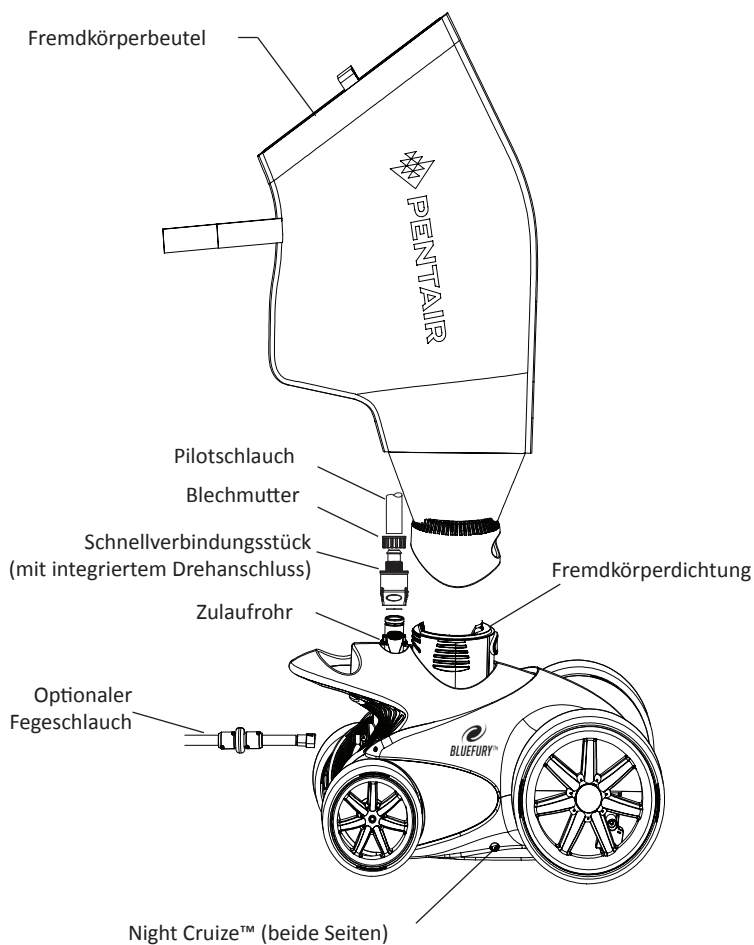


Zusammenbauen des Reinigers

1. Bringen Sie das Schnellverbindungsstück am Ende des Schlauchs am Einlassrohr des Reinigers an. Vergewissern Sie sich, dass die Schnappverschlüsse einrasten.
2. Befestigen Sie den Fremdkörperbeutel am Reiniger. Drücken Sie den Beutel über das Saugrohr, bis er mit einem Klick einrastet.
3. Überprüfen Sie vor der Benutzung die Checkliste:
 - Schläuche sind ordnungsgemäß gekürzt und die Schwimmer gleichmäßig verteilt.
 - Die Blechschrauben sind fest am Zulaufschlauch angebracht.
 - Die Wandverbindung ist gesichert und an der richtigen Stelle.
 - Der Fremdkörperbeutel und die Schlauchgruppe sind angeschlossen.
 - Die Fremdkörperdichtung muss angeschlossen sein. **Siehe Abbildung 14.**

Benutzung des Reinigers

1. Versenken Sie den Reiniger vorsichtig im Pool.
2. Schalten Sie die FILTERPUMPE EIN.
3. Warten Sie mindestens 60 Sekunden, damit das Wasser aus dem Schlauch geblasen werden kann.
4. Schalten Sie die DRUCKERHÖHUNGSPUMPE EIN.



Zusammenbauen des Reinigers

ANPASSUNGEN UND BETRIEB DES REINIGERS

Betrieb des Reinigers

Hinweis: Der Reiniger benötigt möglicherweise einige kleine Anpassungen, damit der ordnungsgemäße Betrieb gewährleistet ist und die bestmögliche Leistung erreicht wird.

Bei korrektem Betrieb wandert der Reiniger nach einem zufälligen Muster durch den Pool und saugt und schrubbt dabei den Pool.

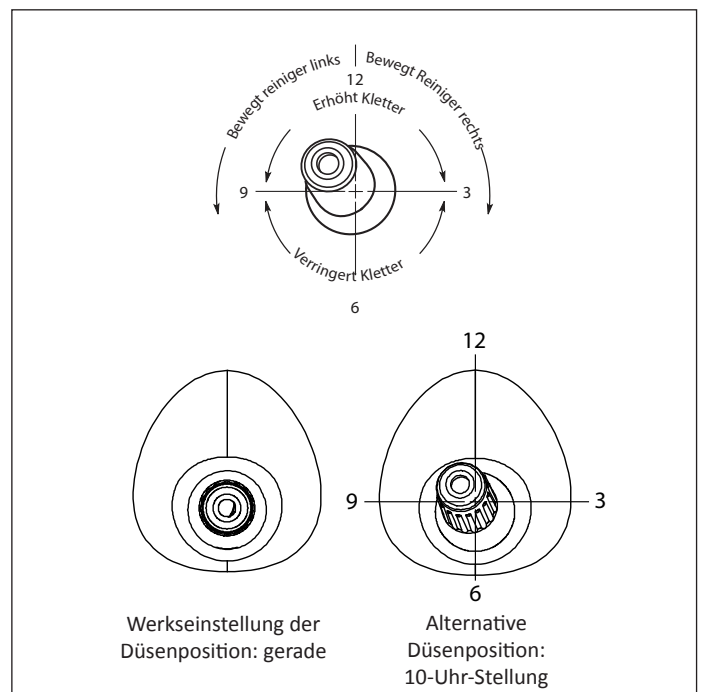
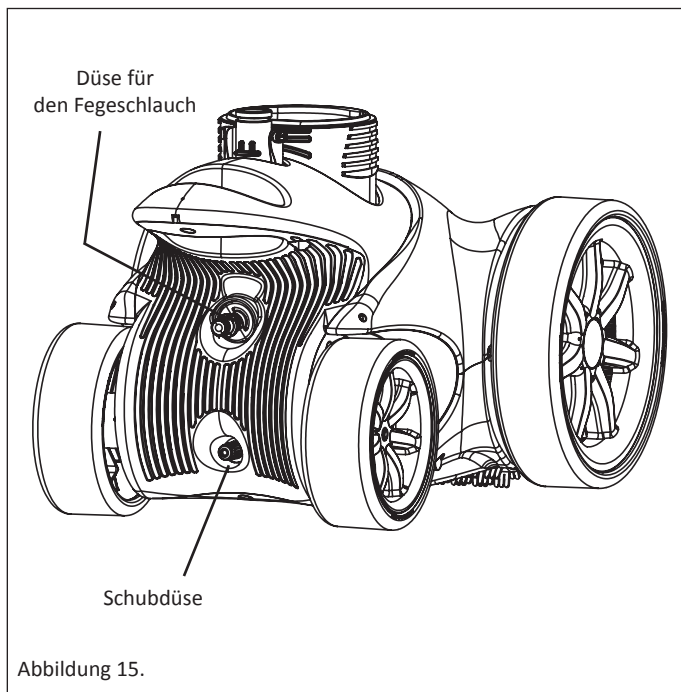
- Die Steigfähigkeit des Reinigers hängt von der Beschaffenheit des Pools und dem Wasserstrom ab.
- Für private Pools von durchschnittlicher Größe (5 m x 10 m) wird der einstündige Reinigungszyklus empfohlen.
- Die Leistung ist in Pools ohne scharfen Übergängen zwischen Poolboden und Wänden effizienter.
- Der Reiniger schaltet ungefähr alle zweieinhalb Minuten für etwa 15 Sekunden in den Rückwärtsmodus.
- Wenn sich im Pool viele Fremdkörper befinden, sollte der Reiniger in zwei kürzeren Zyklen betrieben werden. Zwischen den Zyklen muss der Fremdkörperbeutel entleert werden.

Einstellung der Schubdüse

Die Schubdüse befindet sich auf der Rückseite des Reinigers unterhalb der Düse für den Fegeschlauch und unterstützt den Richtungsantrieb des Reinigers. **Siehe Abbildung 15.**

Die Schubdüse muss möglicherweise entsprechend der Poolform eingestellt werden, um eine maximale Reinigungsabdeckung zu erreichen.

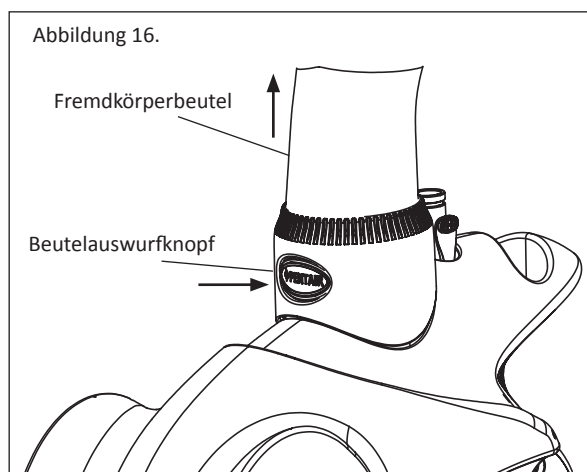
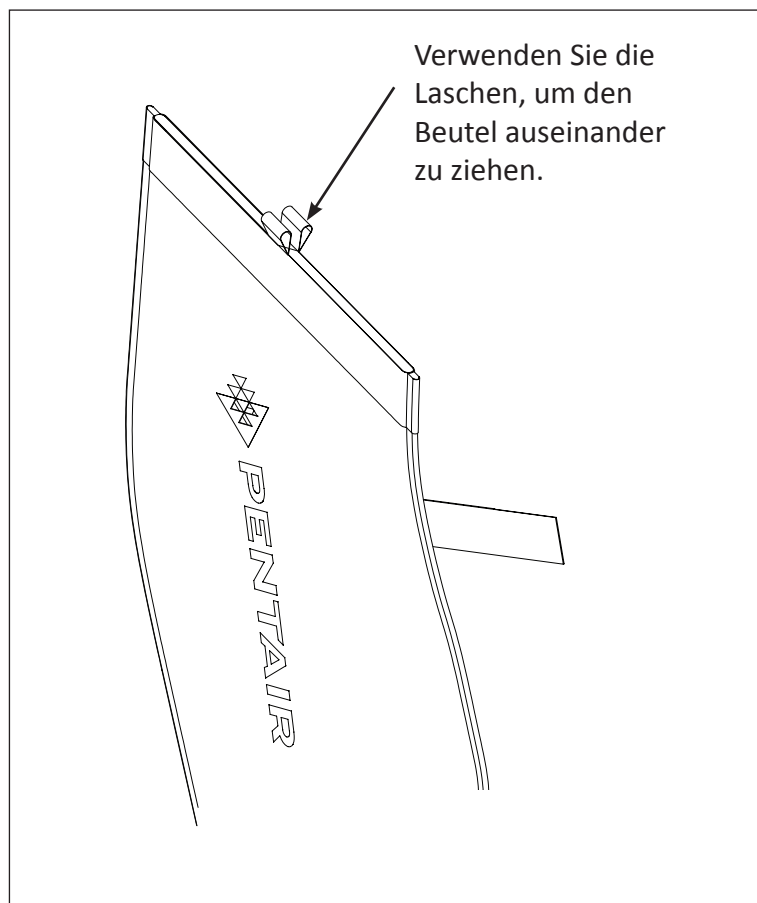
Die unten abgebildete alternative Position der Düse kann genutzt werden, um die Steigfähigkeit des Reinigers zu erhöhen.



Reinigung des Fremdkörperbeutels

1. Entfernen Sie das Band des Beutels vom Schlauch.
2. Drücken Sie den Freigabeknopf auf dem Saugrohr des Reiniger und ziehen Sie den Beutel vorsichtig vom Reiniger herunter. **Siehe Abbildung 16.**
3. Öffnen Sie den Beutelverschluss, indem Sie die Stoffflaschen oben am Beutel auseinander ziehen. Halten Sie den Beutel unten fest und drehen Sie ihn um, um die Fremdkörper oben auszuleeren. Spülen Sie den Beutel gegebenenfalls mit einem Schlauch aus.
4. Drücken Sie zum Schließen das Hakenband oben am Beutel zusammen und fahren Sie mit dem Finger über die gesamte Länge des Beutels, damit er vollständig verschlossen ist.
5. Vergewissern Sie sich, dass sich die Fremdkörperdichtung auf dem Saugrohr befindet. **Siehe Abbildung 14 auf vorherige Seite.**
6. Schieben Sie den Verschluss des Fremdkörperbeutels über das Saugrohr, bis er mit einem Klicken einrastet.
7. Bringen Sie das Band wieder am Zulaufschlauch an.
8. Damit sich der Beutel während des Betriebs nicht zusammenfaltet, bringen Sie das Band über dem ersten Schwimmer der Zuführungsleitung an. Schieben Sie den Schwimmer gegebenenfalls nach unten.

Hinweis: Der Fremdkörperbeutel ist leichter zu entleeren, wenn er trocken ist. Während der verwendete Fremdkörperbeutel trocknet, kann ein zweiter benutzt werden (separat erhältlich).



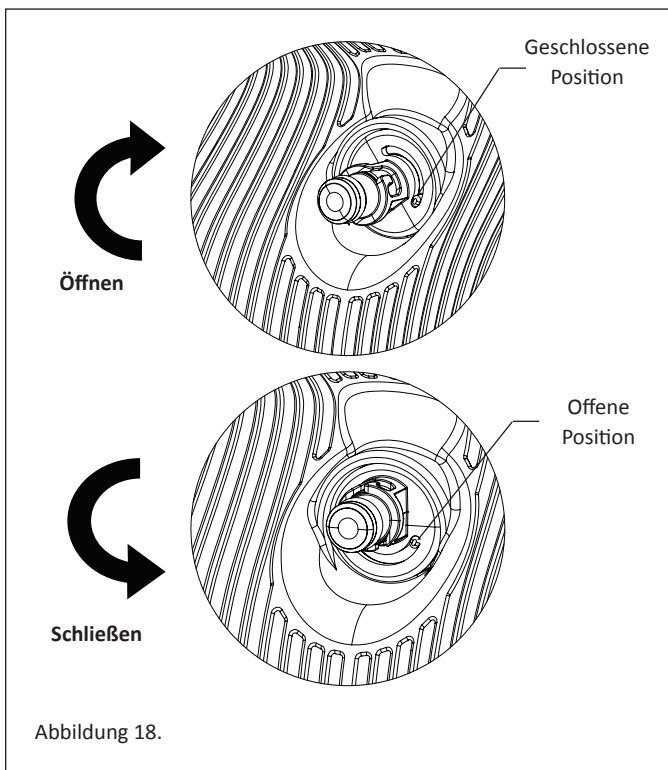
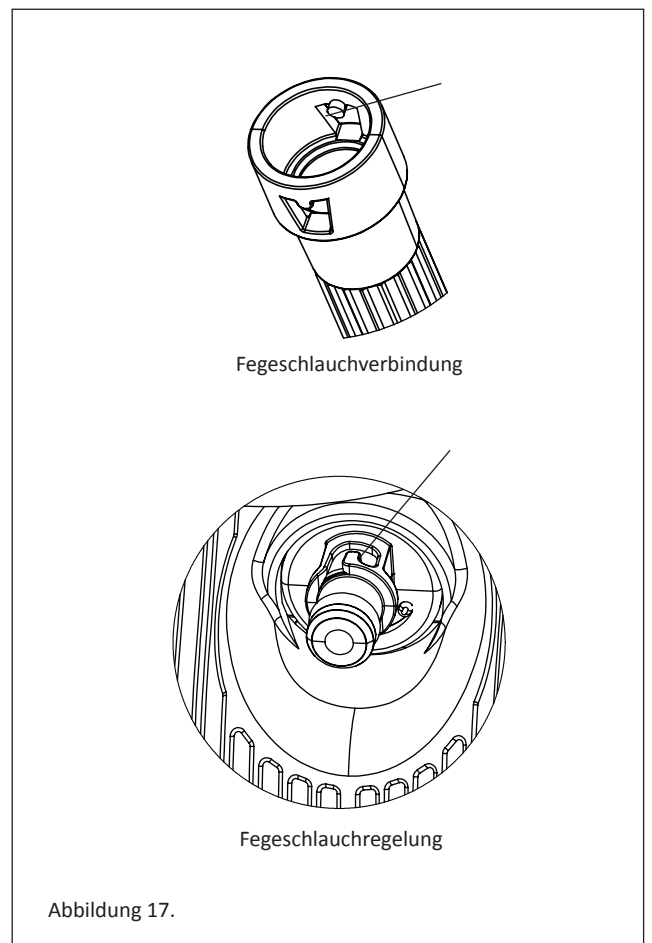
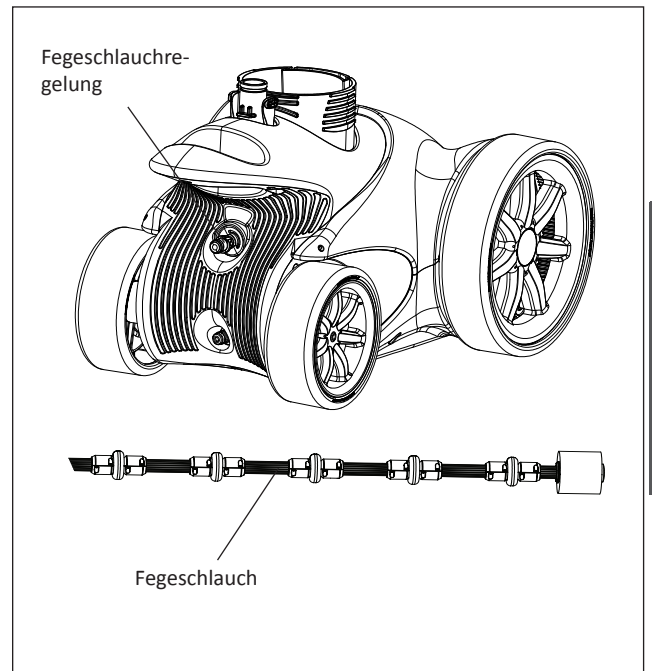
Anpassen der Fegeschlauchregelung wenn der Fegeschlauch installiert ist

Der Fegeschlauch führt eine sanfte Fegebewegung aus, um Fremdkörper aus schwer zugänglichen Ecken des Pools zu entfernen.

Hinweis: 1. Passen Sie die Fegeschlauchregelung nicht an während der Reiniger in Betrieb ist. Der Reiniger könnte dadurch beschädigt werden.

2. Zur Anpassung der Fegeschlauchregelung muss der Fegeschlauch verwendet werden.

1. Wenn Sie nicht vorhaben, den optionalen Fegeschlauch zu benutzen, ist nichts mehr zu tun. Um den optionalen Fegeschlauch am Reiniger zu befestigen und die Fegeschlauchregelung zu öffnen, fahren Sie mit Schritt 2 fort.
2. Um den Fegeschlauch am BLUEFURY™ Druckseitigen Poolreiniger zu befestigen, richten Sie die Sperrlaschen auf der Innenseite der Fegeschlauchverbindung (kleine runde Verbindung am Ende des Fegeschlauchs) mit den Sperrschlitzen auf der Fegeschlauchregelung des Reinigers aus. **Siehe Abbildung 17.**
3. Die Fegeschlauchregelung wird werksseitig in geschlossener Position geliefert. Um die Fegeschlauchregelung zu öffnen, drücken Sie die Fegeschlauchverbindung auf die Fegeschlauchregelung. Wenn sie nicht weiter hinein gedrückt werden kann, drehen Sie die Fegeschlauchverbindung **im Uhrzeigersinn** bis zum Anschlag (etwa 45 Grad). **Siehe Abbildung 18.** Ziehen Sie die Fegeschlauchverbindung heraus, damit die Verbindung einrastet.
4. Um den Fegeschlauch zu entfernen und die Fegeschlauchregelung abzuschalten, nehmen Sie die Fegeschlauchverbindung und drehen Sie sie **gegen den Uhrzeigersinn** bis zum Anschlag (etwa 45 Grad). **Siehe Abbildung 18.** Ziehen Sie die Fegeschlauchverbindung von der Fegeschlauchregelung herunter und bewahren Sie sie an einem sicheren Ort auf.



WARTUNG

Regelmäßige Wartung

Der Reiniger und seine Bauteile müssen regelmäßig überprüft werden. Sämtliche verschlissenen oder beschädigten Teile müssen ersetzt und/oder repariert werden. Wenn die Anweisungen nicht befolgt werden oder der Reiniger nicht ordnungsgemäß installiert wird, kann das zu einer Beschädigung des Reinigers, der Pool-Oberfläche oder der Vinylverkleidung führen.

Die folgenden Teile sind Verschleißteile und müssen regelmäßig überprüft und erforderlichenfalls ausgetauscht werden.

Wandverbindungssieb

Im Inneren der Wandverbindung befindet sich ein Edelstahlsieb, das als Sekundärfilter dient. Dieses Sieb hält Fremdkörper zurück, die durch den Poolfilter gelangt sind.

Ein verschmutztes Sieb kann ein Hinweis auf mögliche Probleme beim Poolfiltersystem sein. Kontaktieren Sie gegebenenfalls Ihrer Poolspezialisten vor Ort.

Hinweis: Wenn der Reiniger ohne Siebfilter betrieben wird, kann dadurch der Reiniger beschädigt werden und die Garantie erlischt.

So reinigen Sie den Siebfilter:

1. Schalten Sie die Druckerhöhungspumpe und dann die Filterpumpe aus.
2. Entfernen Sie die Wandverbindung vom Wandadapter.
3. Ziehen Sie das Sieb aus der Wandverbindung heraus.
4. Spülen Sie das Sieb sorgfältig und setzen Sie es wieder in die Wandverbindung ein.
5. Bei jeder Reinigung, Rückspülung oder Reparatur des Poolfilters müssen Sie nach dem ersten Reinigungszyklus auch den Siebfilter reinigen.

Reifen

Die Reifen sind zum Schutz des Poolbodens ausgelegt und ermöglichen die Fortbewegung. Reifen unterliegen der Abnutzung und müssen von Zeit zu Zeit ersetzt werden.

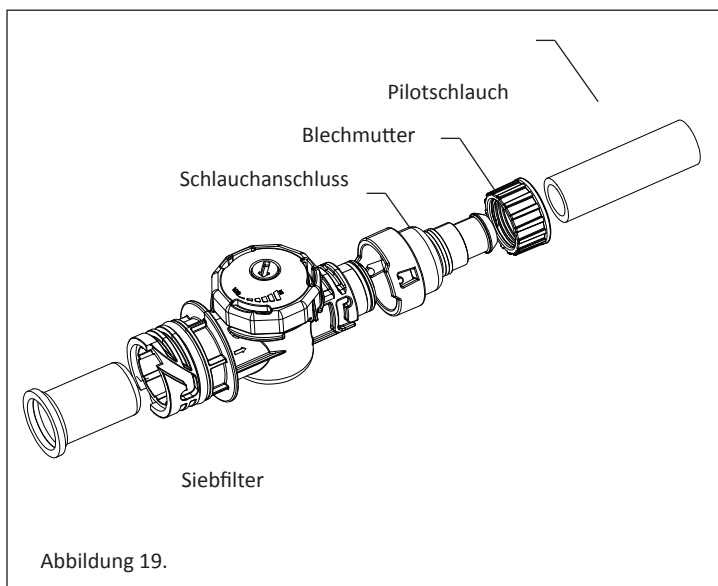


Abbildung 19.

Reinigung des Siebfilters

Fremdkörperbeutel

Der Reiniger wird mit einem Universalbeutel geliefert, der für alle Arten von Fremdkörpern verwendet werden kann. Ersetzen Sie den Beutel, wenn das Gewebe zerrissen oder löchrig ist.

Hinweis: Um die Lebensdauer Ihres Reinigers zu verlängern, entfernen Sie ihn aus dem Pool, bevor Sie Chemikalien hinzufügen.

Fegeschlauch

Der Fegeschlauch ist als optionales Zubehör gedacht, damit sie schwer zugängliche Ecken Ihres Pools leichter sauber halten können. Ersetzen Sie nach Bedarf den Schrubber des Fegeschlauchs, wenn dieser benutzt wird.

Fegeschlauchrollenringe

Ihr Fegeschlauch verfügt über eine Serie von Rollenringen, die den Fegeschlauch schützen. Ersetzen Sie die Ringe bei Bedarf. Vergewissern Sie sich, dass sich die Ringe frei drehen können.

Rückspülung des Poolfilters

Entfernen Sie den Reiniger stets von der Poolwand, bevor Sie den Poolfilter reinigen oder rückspülen. Lassen Sie nach einer Reinigung oder Rückspülung das Poolfiltrationssystem und die Druckerhöhungspumpe mindestens fünf Minuten laufen, damit die Rücklaufleitungen gespült werden, bevor Sie den Reiniger wieder anschließen.

Aufbewahrung und Einwinterung

Sie können den Wandadapter in der Wand lassen und die Schläuche gerade, ohne Knicke aufbewahren. Wenn der Schlauch aufgerollt aufbewahrt wird, muss vor der erneuten Verwendung für 12–24 Stunden gerade in der Sonne liegen. Verwenden Sie das Durchflussmessgerät, um zu gewährleisten, dass der Durchfluss für den Betrieb des Reinigers ausreicht.

Ersatzteile

Ein up-to-date Kopie der Ersatzteile finden Sie auf unserer Website : www.pentairpooleurope.com

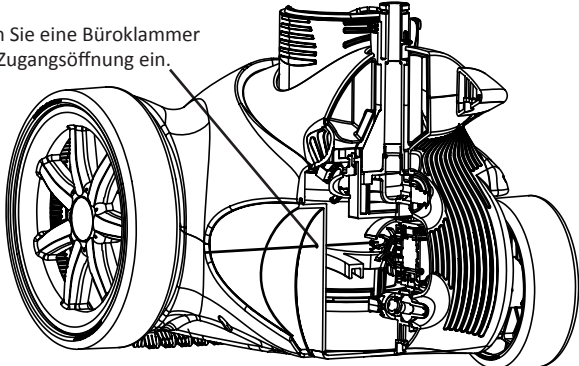
TROUBLESHOOTING

Benutzen Sie die folgenden Troubleshooting-Informationen, um potenzielle Probleme mit dem BLUEFURY™ Druckseitigen Poolreiniger zu beheben.

Problem	Korrekturmaßnahme
Reiniger bewegt sich nicht oder langsam.	<p>Vergewissern Sie sich, dass die Filterpumpe und die Druckerhöhungspumpe eingeschaltet sind und Wasser bewegt wird. (Sie müssen möglicherweise Ihr Poolfiltersystem reinigen.)</p> <p>Vergewissern Sie sich, dass das Sieb der Wandverbindung frei von Fremdkörpern ist; möglicherweise müssen Sie diese entfernen und spülen.</p> <p>Überprüfen Sie den ordnungsgemäßen Durchfluss mithilfe des Durchflussmessgeräts (mitgeliefert). Passen Sie gegebenenfalls den Durchfluss an der Wandverbindung.</p> <p>Überprüfen Sie alle Anschlüsse und Drehanschlüsse des Zulaufschlauchs auf Undichtigkeit.</p> <p>Überprüfen Sie auf Fremdkörper in den Getriebezähnen oder auf einem der vorderen Antriebsräder. Bewegen Sie die Vorderräder sanft rückwärts, um die Fremdkörper zu entfernen.</p> <p>Überprüfen Sie, ob die sich die Hinterräder frei drehen können. Tauschen Sie die Räder erforderlichenfalls aus.</p>
Der Reiniger bleibt auf Stufen hängen.	Vergewissern Sie sich, dass sich die (großen) Vorderräder etwa alle zweieinhalb Minuten in die Gegenrichtung drehen.
Der Reiniger neigt sich auf eine Seite.	<p>Weist gewöhnlich auf einen vollen Fremdkörperbeutel hin. Entleeren Sie den Fremdkörperbeutel.</p> <p>Hinweis: Der Reiniger neigt sich manchmal während eines Umkehrmanövers auf eine Seite (auf zwei Rädern). Beobachten Sie den Reiniger einige Minuten lang, um festzustellen, ob er sich selbst wieder aufrichtet.</p>
Der Reiniger schaltet nicht in den Rückwärtsmodus.	<p>Vergewissern Sie sich, dass sich die (großen) Vorderräder etwa alle zweieinhalb Minuten in die Gegenrichtung drehen.</p> <p>Überprüfen Sie den ordnungsgemäßen Durchfluss mithilfe des Durchflussmessgeräts (mitgeliefert). Siehe Seite 2. Passen Sie gegebenenfalls den Durchfluss an der Wandverbindung.</p>
Der Reiniger steigt nicht.	<p>Reinigen Sie den Fremdkörperbeutel. Entleeren Sie den Fremdkörperbeutel falls er voll ist.</p> <p>Überprüfen Sie den ordnungsgemäßen Durchfluss mithilfe des Durchflussmessgeräts (mitgeliefert). Passen Sie gegebenenfalls den Durchfluss an der Wandverbindung.</p> <p>Korrigieren Sie die Stellung der Schubdüse, um die Steigfähigkeit zu erhöhen.</p> <p>Hinweis: Die Steigfähigkeit des Reinigers hängt von der Beschaffenheit des Pools und dem verfügbaren Wasserstrom ab. Der Reiniger steigt besser in Pools ohne spitze Winkel oder im Übergang zwischen Poolboden und Poolwand.</p>
Die Schläuche verwickeln sich in Schleifen.	<p>Überprüfen Sie die Länge des Zulaufschlauchs. Wenn dieser zu lang ist, kann das zu Verwicklungen oder Schleifen des Schlauchs führen.</p> <p>Vergewissern Sie sich, dass der Zulaufschlauch auf der Pool-Oberfläche schwimmt. Die Schlauchschwimmer müssen in einem Abstand von etwa 60 cm voneinander angebracht werden.</p> <p>Vergewissern Sie sich, dass sich die Drehanschlüsse des Schlauchs frei drehen können. Tauschen Sie festsitzende Drehanschlüsse aus.</p> <p>Vergewissern Sie sich, dass der Zulaufschlauch keine Knicke oder Biegungen hat.</p>
Der Fegeschlauch hat sich im Saugrohr verfangen.	Vergewissern Sie sich, dass das Fegeschlauchregelungsventil vollständig geöffnet ist.
Die Druckerhöhungspumpe ist sehr laut.	<p>Vergewissern Sie sich, dass die Filterpumpe und die Druckerhöhungspumpe eingeschaltet sind und Wasser bewegt wird. (Sie müssen möglicherweise Ihr Poolfiltersystem reinigen.)</p> <p>Vergewissern Sie sich, dass die Wandverbindung ordnungsgemäß installiert ist. Bei Undichtigkeiten muss möglicherweise der O-Ring ausgetauscht werden.</p> <p>Wenden Sie sich an Ihren Poolspezialisten vor Ort – möglicherweise ein Problem mit der Druckerhöhungspumpe.</p>

Deutsch

TROUBLESHOOTING (Fortsetzung)

Problem	Korrekturmaßnahme
Die Bürste auf der Vorderseite des Reinigers dreht sich nicht.	<p>Beobachten Sie die Vorderräder während der Reiniger im Pool in Betrieb ist. Die Räder und die vordere Bürste müssen sich gleichzeitig bewegen.</p> <p>Vergewissern Sie sich, dass der Schrubber frei von verwickelten Fremdkörpern ist.</p>
Die Hinterräder schleifen bzw. drehen sich nicht.	<p>Vergewissern Sie sich, dass die Radmuffe frei von verwickelten Fremdkörpern ist.</p> <p>Hinweis: Sie sollten das Rad möglicherweise entfernen, indem Sie an der Radmuffe gerade anziehen, um etwaige verwickelte Fremdkörper entfernen zu können.</p>
Die Hinterräder fallen herunter.	<p>Tauschen Sie Rad und Radmuffe aus.</p>
<p>Die Night Cruize™-LEDs leuchten nicht während der Reiniger in Betrieb ist. (Hinweis: Die Funktion der LEDs hat keine Auswirkung auf die Leistung des Reinigers.)</p>	<p>Möglicherweise ist die Generatorturbine durch Fremdkörper verstopft. So reinigen Sie die Generatorturbine von Fremdkörpern: Suchen Sie die Zugangsöffnung unter dem linken Hinterrad, indem Sie das Rad gerade vom Reiniger weg ziehen. Verwenden Sie eine große Büroklammer und führen Sie diese etwa 5 cm gerade in die Zugangsöffnung ein. Fahren Sie damit solange fort, bis die Turbinenschaufel spüren; bewegen Sie dann die Büroklammer solange, bis sich die Schaufel dreht. Drehen Sie die Schaufel mehrmals mithilfe der Büroklammer, um die Fremdkörper zu entfernen.</p> <p>Führen Sie eine Büroklammer in die Zugangsöffnung ein.</p> 

Steile Übergänge bei Vinylverkleidung

In manchen Pools mit tiefen Sprungbereichen führt der Übergangswinkel zwischen tiefer Seite und flacher Seite dazu, dass der BLUEFURY™ Druckseitige Poolreiniger Schwierigkeiten bei der Überwindung dieses Winkels hat. Wenn das der Fall ist, müssen Sie möglicherweise die mitgelieferten Radkeile verwenden, um den Reiniger bei diesem Übergang behilflich zu sein. Diese Keile schaffen einen Hump im Reifen und helfen zu verhindern, dass der Reiniger blockiert wird. Sie sind nicht in allen Pools erforderlich.

Hinweis: Beide Keile müssen horizontal hintereinander montiert werden. Wenn sie nicht hintereinander montiert werden, kann das dazu führen, dass der Reiniger Schwierigkeiten mit dem Übergangswinkel hat. Dies ist für einen ordnungsgemäßen Reinigungsbetrieb sehr wichtig. **Siehe Abbildung 20.**

1. Um den Reifenkeil zu montieren, ziehen Sie den Gummireifen vom Kunststoffrad weg und drücken Sie den Einsatz fest zwischen Reifen und Rad. Die glatte Oberfläche auf der Unterseite des Keils muss zuerst eingesetzt werden, und zwar von der Außenseite zur Innenseite der Reinigeräder. **Siehe Abbildung 21.** Vergewissern Sie sich, dass die Schlitz auf dem Kunststoffrad und die Schlitz auf der Unterseite des Keils ineinander einrasten.
2. Drücken Sie den Keil in Richtung der Nase des Reinigergehäuses bis der Einsatz fest hinter dem Ansatz des Gummireifens sitzt. **Siehe Abbildung 20.**

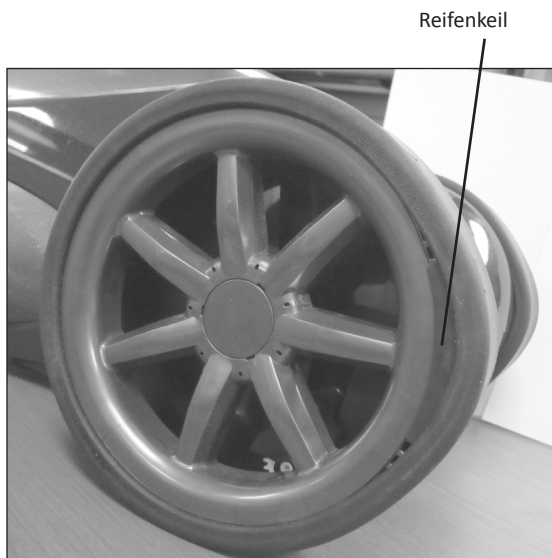


Abbildung 20.

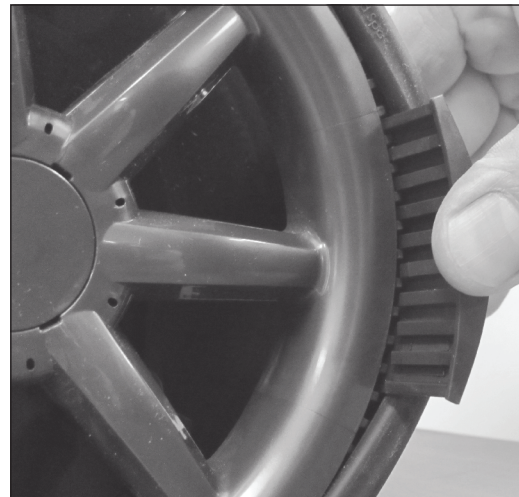


Abbildung 21.

Klantendienst

HERENTALS, BELGIE (8:30 A.M. to 4:30 P.M.) CET

Website : www.pentairpooleurope.com

E-mail : poolemea@pentair.com

Conformiteitsverklaring

We verklaren, onder onze uitsluitende verantwoordelijkheid, dat het product dat in deze verklaring beschreven wordt en waarop deze verklaring betrekking heeft, conform is met de vereisten in de recentste versie van de volgende Europese Richtlijnen :

- CENELEC EN 55015:2006

- CENELEC EN 61547:1995



De fabrikant, Pentair, heeft het recht om producten te wijzigen zonder voorafgaande melding, voor zover hun eigenschappen hierdoor niet wezenlijk veranderd worden.

© 2014 Pentair, Inc. Alle rechten voorbehouden. Dit document kan zonder kennisgeving gewijzigd worden.

Alle Pentair handelsmerken en logo's zijn eigendom van Pentair, Inc. Pentair Aquatic Systems™ en BLUEFURY™ zijn handelsmerken en/of geregistreerde handelsmerken van Pentair, Inc. en/of zijn dochterondernemingen in de Verenigde Staten en/of andere landen. Tenzij uitdrukkelijk vermeld, worden de namen en merken van derde partijen die in dit document aan bod komen, niet gebruikt om een band tussen de eigenaars van die namen en merken en Pentair, Inc. aan te geven. Die namen en merken kunnen de handelsmerken of geregistreerde handelsmerken van die derde partijen zijn. Omdat we onze producten en diensten permanent verbeteren, behoudt Pentair zich het recht voor om specificaties zonder voorafgaande berichtgeving te wijzigen. Pentair past als werkgever het principe van gelijke kansen toe.

⚠ DANGER Het niet volgen van de instructies in deze handleiding kan leiden tot ernstige schade aan de gezondheid of zelfs een ernstig of dodelijk letsel. Het niet volgen van de instructies in deze handleiding zal in alle gevallen elke garantie en aansprakelijkheid van de fabrikant ongeldig verklaren.

BELANGRIJKE WAARSCHUWING EN VEILIGHEIDSINSTRUCTIES



Belangrijke waarschuwing:

T.a.v. de installateur: Deze gids bevat belangrijke informatie over de installatie, de werking en het veilige gebruik van dit product. Deze informatie dient altijd aan de eigenaar en/of bediener van deze uitrusting gegeven te worden, nadat de zwembadreiniger geïnstalleerd is.

T.a.v. de gebruiker: Deze handleiding bevat belangrijke informatie die u zal helpen om deze zwembadreiniger te gebruiken en te onderhouden. Hou deze handleiding bij om ze later te kunnen raadplegen. Neem contact op met Pentair als u vragen hebt in verband met deze uitrusting.

Vooraleer dit product te installeren, dient u alle waarschuwingen en instructies in de handleiding te lezen en op te volgen. Wanneer de veiligheidswaarschuwingen en -instructies niet gevolgd worden, kan dat in ernstige verwondingen, de dood of materiële schade resulteren. Bijkomende exemplaren van deze instructies kunt u gratis verkrijgen op www.pentairpooleurope.com

Consumenteninformatie en veiligheid

Deze zwembadreiniger is ontworpen en gemaakt om jarenlang veilig en betrouwbaar te werken als hij geïnstalleerd, bediend en onderhouden wordt zoals in deze handleiding wordt beschreven. In deze handleiding worden de veiligheidswaarschuwingen en -voorzorgen aangegeven door het symbool "⚠". Lees al deze waarschuwingen en voorzorgen en neem ze in acht.

⚠ WARNING Speel niet met de zwembadreiniger of de leiding en plaats hem niet om een lichaam. De zwembadreiniger kan haar opzuigen en haar of lichaamsdelen afrukken. Zwemmers kunnen over de leiding struikelen of erin verward raken met de verdrinkingsdood als gevolg. Laat geen zwemmers in het zwembad terwijl de zwembadreiniger aan het werk is. Om het risico van verwondingen te beperken, laat kinderen de zwembadreiniger niet gebruiken of ermee spelen.

⚠ CAUTION Bewegende onderdelen kunnen handen of vingers verwonden. Stop de pomp voor u probeert om de kop van de zwembadreiniger schoon te maken.

Algemene informatie over de installatie

Controlelijst – voor de installatie

Voor u uw zwembadreiniger installeert, moet u alle waarschuwingen en veiligheidsinformatie in deze gids lezen en begrijpen. Wanneer deze instructies niet gevolgd worden of wanneer de zwembadreiniger slecht geïnstalleerd is, kan dat tot schade aan de zwembadafwerking of de vinyl liner leiden. De meeste zwembadreinigers zijn niet ontworpen om van de bodem naar de wand over te gaan wanneer de zwembadhoek 90° bedraagt. In het zwembad kunnen andere structuren geïnstalleerd zijn die de zwembadreiniger niet kan overwinnen. LET OP en hou de zwembadreiniger in zulke speciale omstandigheden in het oog. Pentair Aquatic Systems wijst elke aansprakelijkheid van de hand voor de reparatie of de vervanging van zulke structuren of onderdelen daarvan in het zwembad van de klant.

Voor u de zwembadreiniger in een zwembad met een vinyl liner installeert:

Controleer de liner nauwgezet op tekenen van aantasting of schade als gevolg van leeftijd, chemicaliën, schade aan de zwembadwand, enz. Als u schade opmerkt, laat dan een gekwalificeerd zwembadtechnicus de nodige reparaties uitvoeren. Als er stenen, wortels, enz. onder de liner zitten, verwijder die dan voor u de zwembadreiniger installeert.

Voor u de zwembadreiniger in een zwembad met guniteliner of in een deels of volledig betegeld zwembad installeert:

Controleer of de zwembadliner in goede staat is, omdat vlekken, barsten en schuren kunnen verergeren en er lagen van de liner kunnen loskomen. Repareer losse tegels en zet eventuele losse lichtringen vast.

Voor u de zwembadreiniger installeert, maakt u uw filtersysteem schoon:

Zorg ervoor dat u de filter schoongemaakt hebt, en alle zeefmanden teruggespoeld, gespoeld en leeggemaakt hebt. Een zuiver systeem is nodig voor een goede werking van de zwembadreiniger.

Voor u de zwembadreiniger installeert, moet u weten welke oppervlakte hij dekt:

De zwembadreiniger is ontworpen om in ca. 4-6 uur het vuil uit uw zwembad te verwijderen. Afhankelijk van de grootte van het zwembad kan er minder tijd nodig zijn. De zwembadreiniger is niet ontworpen om trappen of zwemdoorgangen automatisch te reinigen. Hij kan ook niet onder een zwebadafdekking werken. De zwembadreiniger kan in die zones geblokkeerd raken wat tot schade aan de zwembadafwerking of de vinyl liner kan leiden. Pentair Aquatic Systems wijst elke aansprakelijkheid van de hand voor de reparatie of de vervanging van zulke structuren of onderdelen daarvan in het zwembad van de gebruiker. De zwembadreiniger is ook niet ontworpen om de eerste reinigingsbeurt van een nieuw zwembad, of wanneer u uw zwembad voor het nieuwe seizoen weer in gebruik neemt, uit te voeren.

NADAT u de zwembadreiniger geïnstalleerd hebt, moet u ervoor zorgen dat hij correct werkt:

Enkele kleine aanpassingen aan de zwembadreiniger kunnen nodig zijn om ervoor te zorgen dat hij goed werkt en de zwembadafwerking niet beschadigd raakt. Bepaalde patronen in vinyl liners zijn bijzonder gevoelig voor oppervlakteslijtage – het patroon verdwijnt, de inkt wordt weg gewreven of er komen grote krassen in het patroon doordat voorwerpen, onder andere automatische zwembadreinigers, met het vinyl oppervlak in contact komen. Pentair Aquatic Systems is niet aansprakelijk voor aantastingen van vinyl liners – zoals het verdwijnen van patronen, schuurplekken en andere aantastingen. Controleer de zwembadreiniger en zijn onderdelen geregeld om ervoor te zorgen dat hij werkt zoals bedoeld. Vervang en/of repareer alle versleten of beschadigde onderdelen. Wanneer de instructies niet opgevolgd worden of de zwembadreiniger niet goed geïnstalleerd wordt, kan dat tot schade aan de zwembadreiniger, de afwerking van het zwembad of de vinyl liner leiden.

Garantie-Informatie

Voor u uw zwembadreiniger installeert, moet u alle waarschuwingen, veiligheids- en garantie-informatie in deze gids lezen en begrijpen. Wanneer deze instructies niet gevolgd worden of wanneer de zwembadreiniger niet naar behoren geïnstalleerd is, kan dat tot schade aan de zwembadafwerking of de vinyl liner leiden. Pentair Aquatic Systems wijst elke aansprakelijkheid van de hand voor de reparatie of vervanging van zulke structuren of onderdelen in het zwembad van de klant.

Bepaalde Garantie : 2 jaar

Verdere details : bezoek www.pentairpooleurope.com

Afwijzing van aansprakelijkheid - Over uw zwembad en Drukreiniger

Tal van factoren spelen een rol in de levensduur van uw zwembad. De zwembadreiniger is een bijzonder passief product dat geen impact op de levensduur van het zwembad heeft.

Hou er rekening mee dat na verloop van tijd elke zwembadafwerking aantastingen en verkleuringen kan vertonen of dat ze broos kan worden. Dat kan veroorzaakt worden door onevenwichtige verhoudingen van de chemicaliën, door een foutieve installatie en door andere factoren, al dan niet in combinatie met ouderdom. Drukreinigers zullen een 'goede' zwembadafwerking niet afschuren of verslijten. Het tegengestelde is echter wel het geval – de zwembadliner veroorzaakt slijtage op de zwembadreiniger.

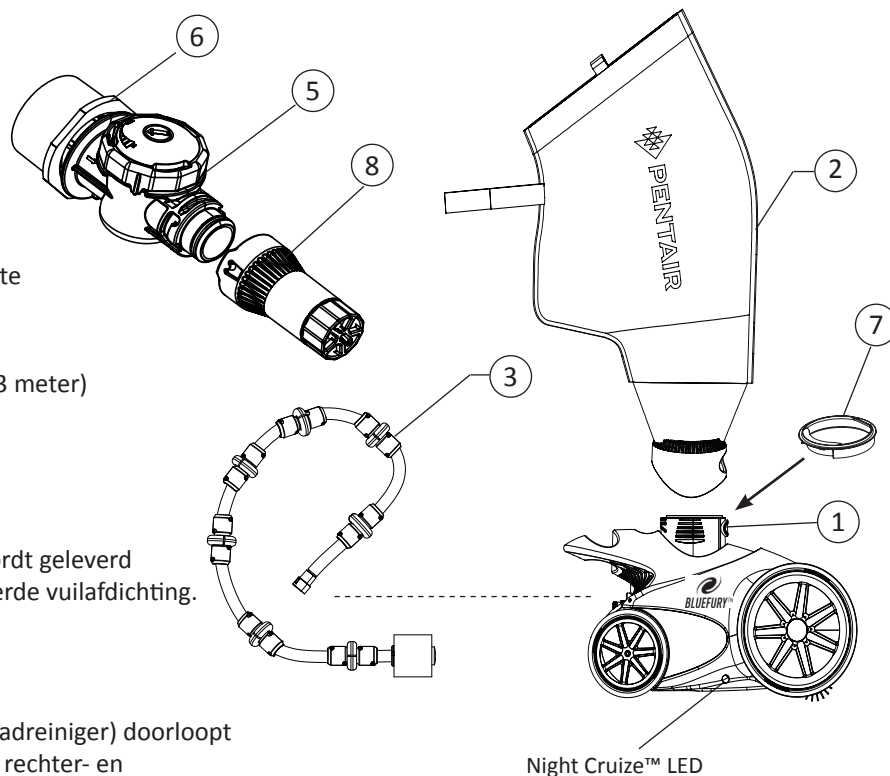
Hetzelfde geldt voor zwembaden die in de grond aangelegd zijn en met vinyl bekleed zijn. Vinyl liners worden immers ook aangetast door de omgeving en door factoren zoals de chemische samenstelling van het water, het zonlicht en de omgeving van het zwembad. Daardoor kan vinyl in de loop der jaren broos en zacht worden. Daarnaast spelen bij zwembaden met een vinyl liner ook nog andere factoren een rol: het vakmanschap, de samenstelling en de installatie van de liner; het vakmanschap en de kwaliteit van de constructie van de steunwanden en de zwembadbodem. Al die factoren kunnen tot tekortkomingen in de liner bijdragen. Dat zulke omstandigheden voorkomen, is niet het gevolg van het gebruik of de werking van de zwembadreiniger. De producent wijst elke aansprakelijkheid van de hand voor de reparatie of de vervanging van zulke structuren of onderdelen daarvan in het zwembad van de klant. De eigenaar van het zwembad neemt alle aansprakelijkheid op zich voor de toestand en het onderhoud van het oppervlak, het water en de afdekking van het zwembad.

Voor de zwembadreiniger geïnstalleerd wordt, neemt u even de tijd om het serienummer op te schrijven. Dat nummer is op uw garantiekaart genoteerd en op de rug van de zwembadreiniger, in de buurt van de straalmonden. Wanneer u contact met onze technische dienst opneemt, vraagt die u dit nummer.

SERIENUMMER _____

Onderdelen van de zwembadreiniger

1. BLUEFURY zwembadreiniger
 2. Vuilzak
 3. Veegslang (niet nodig bij de meeste zwembaden)
 4. Voedingsleiding – Niet afgebeeld (secties van 3 tot 10 voet – 1 tot 3 meter)
 5. Muurstuk
 6. Muuradapter
 7. Vuilafdichting
- Opmerking: De zwembadreiniger wordt geleverd met een in zijn bovenzijde gemonteerde vuilafdichting.
8. Debietregelaar



Overzicht

De BLUEFURY™ drukreiniger (zwembadreiniger) doorloopt een sequentie van rechte stukken en rechter- en linkerbochten om de hele zwembadbodem te bestrijken, terwijl hij die borstelt en het vuil opzuigt.

- Bij een ononderbroken werking gaat de zwembadreiniger ongeveer om de twee minuten in de achteruitmodus, waardoor hij het hele zwembad doeltreffend kan reinigen.

Opmerking: Voor u uw zwembadreiniger installeert en bedient, leest u eerst deze belangrijke richtlijnen:

1. Koppel de drukreiniger altijd van de zwembadwand los wanneer u de zwembadfilter schoonmaakt of terugspoelt.
2. Nadat u de filter gereinigd of teruggespoeld hebt, laat u het filtratiesysteem minstens vijf minuten draaien voor u de zwembadreiniger weer aansluit.
3. Nieuwe leidingen moeten uitgespoeld worden voor u de zwembadreiniger installeert.
4. De zwembadreiniger mag niet gebruikt worden om pleisterstof in nieuwe zwembaden te verwijderen.
5. Haal de zwembadreiniger altijd uit het zwembad vooraleer er zwemmers ingaan.
6. Manipuleer de zwembadreiniger altijd met de nodige zorg.
7. Neem de zwembadreiniger altijd bij de greep vast, zeker wanneer u hem uit het water tilt.
8. Manipuleer de zwembadreiniger niet wanneer hij in bedrijf is.
9. Haal de zwembadreiniger altijd uit het zwembad voor u een chemische schokbehandeling toepast (zware chloorbehandeling). Een vuistregel: zwembadwater dat niet geschikt is om in te zwemmen, is ook niet geschikt voor de zwembadreiniger.
10. Sluit zorgvuldig de voedingsleiding af volgens de instructies.
11. Wanneer u deze eenvoudige richtlijnen volgt, kunt u uw zwembadreiniger voor schade behoeden en verlengt u zijn levensduur.
12. Raadpleeg 'Belangrijke waarschuwingen en veiligheidsinstructies' voor bijkomende informatie over de installatie en de veiligheid.

INSTALLATIE

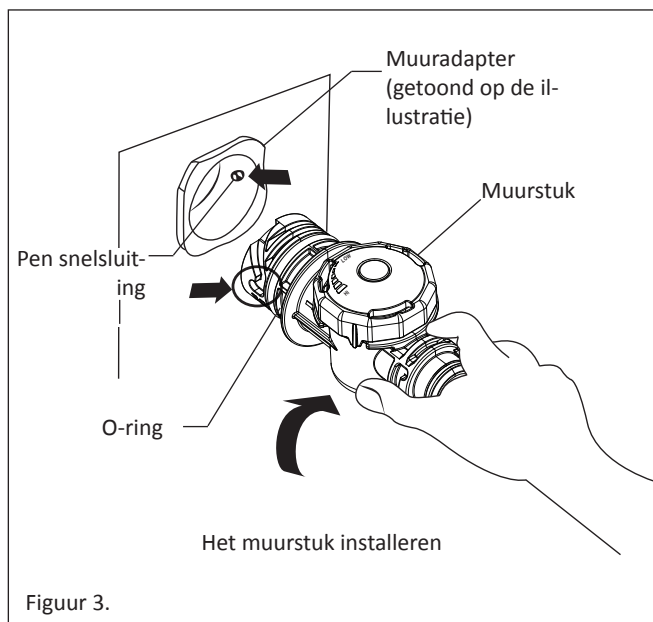
Installatie van de drukverhogingspomp

Voor informatie over de installatie raadpleegt u de instructies bij uw drukverhogingspomp.

Gelieve die instructies zorgvuldig op te volgen.

Het muurstuk en de muuradapter installeren

1. Neem elke bestaande zwembadreiniger en/of muurstuk weg en sluit ze af.
2. Schakel de filtratiepomp en de drukverhogingspomp aan om de leiding uit te spoelen.
3. Schakel de filterpomp en de drukverhogingspomp uit.
4. Schuif de adapter voor het muurstuk in de speciale 1-1/2" NPT retourleiding met schroefdraad. Draai het muurstuk met de hand op zijn plaats. Zie figuur 3.
5. Plaats het muurstuk in lijn met de pennen van de snelsluiting in de muuradapter. Duw het muurstuk in de muuradapter tot tegen de achterzijde. Draai ¼ slag in wijzerzin om het muurstuk vast te zetten. Trek het muurstuk dan voorzichtig naar buiten zodat de pennen van de snelsluiting op de juiste plaats komen te zitten. Zie figuur 3.



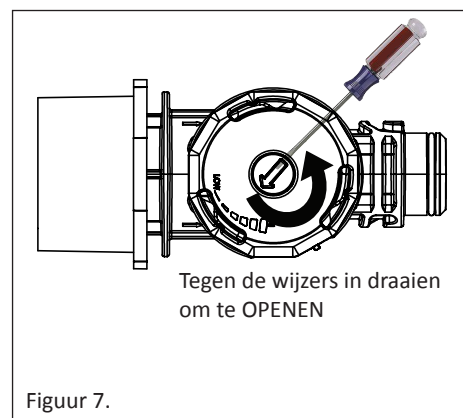
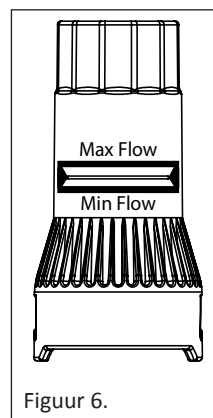
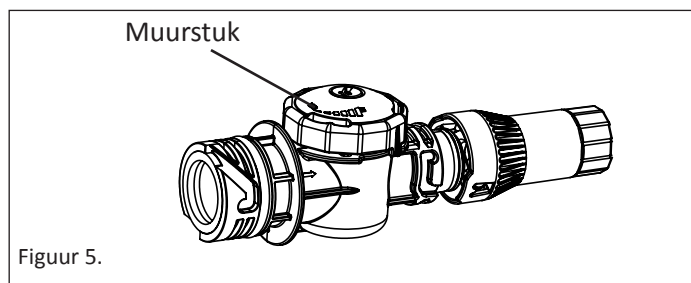
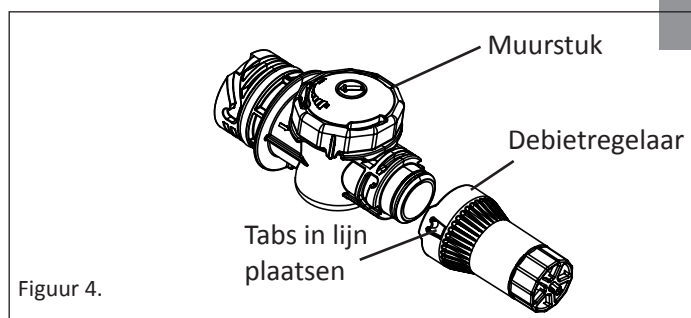
Het waterdebiet naar de zwembadreiniger instellen

BELANGRIJK! Voor u met deze procedure begint, moet u de filterpomp en de drukverhogingspomp uitschakelen.

1. Bevestig de debietregelaar op het muurstuk. Breng daarvoor de twee tabs op de debietregelaar in lijn met de groeven van het muurstuk. Zie figuur 4. Duw en draai de debietregelaar in wijzerzin tot hij stopt, trek hem dan iets terug uit de muur. Controleer of de debietregelaar stevig op zijn plaats zit. Daarvoor draait u hem tegen de wijzers in terwijl u er zachtjes aan trekt. Zie figuur 5.

Opmerking: De debietregelaar zal niet draaien wanneer hij goed op zijn plaats zit.

2. Schakel de filterpomp en vervolgens de drukverhogingspomp in.
3. Controleer of de witte plunjer (in de debietregelaar) in lijn staat met het vakje op de debietregelaar. Zie figuur 6.
4. Pas de klep op het muurstuk met een schroevendraaier aan – de klep in wijzerzin draaien, vermindert het debiet; de klep tegen de wijzers in draaien, verhoogt het debiet - zodat de witte plunjer in lijn staat met de pijlen op de markeringen van de debietregelaar. Zie figuur 7.
5. Schakel de filterpomp en vervolgens de drukverhogingspomp uit.
6. Neem de debietregelaar weg van het muurstuk door hem in te drukken, hem tegen de wijzers in te draaien en hem weg te trekken.
7. Bevestig de leiding op het muurstuk. Draai de leiding in wijzerzin en druk ze dan een kwartslag in zodat ze zich op haar plaats zet (zoals beschreven in stap 2).

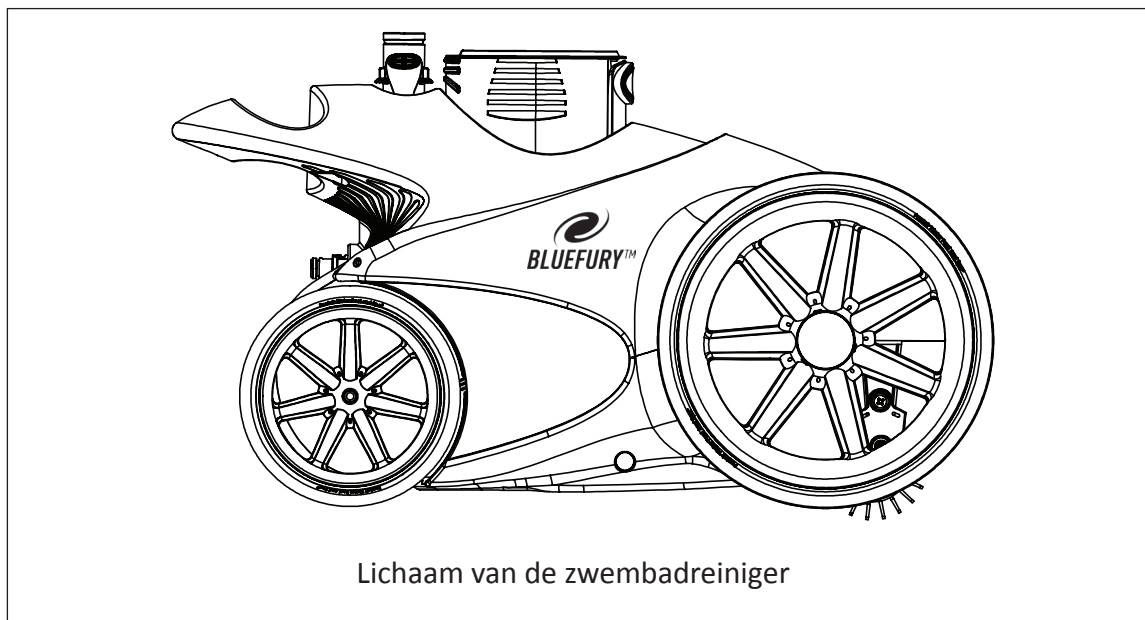


De snelheid/t/min van de zwembadreiniger berekenen

1. Om vast te stellen of de BLUEFURY™ Zwembad drukreiniger de juiste waterdruk ontvangt, schakelt u de zwembadpomp uit en neemt u de zwembadreiniger voorzichtig uit het zwembad.
2. Breng een markeerpunt op de band/het voorwiel aan, bijv. een grasspriet onder de band.
3. Laat iemand de zwembadpomp en de drukverhogingspomp opnieuw inschakelen terwijl u de zwembadreiniger net onder het oppervlak van het zwembadwater plaatst.
Opmerking: Hou de veegslang (indien die geïnstalleerd is) vast om te vermijden dat u nat wordt. Wanneer de pomp weer gestart wordt, stroomt het water immers ook weer naar de regelaar van de veegslang.
4. Tel het aantal volledige omwentelingen dat het gemarkeerde wiel in één minuut maakt. Het aantal omwentelingen geeft u de toeren per minuut, of t/min.
Opmerking: Controleer of de achteruitrijklep op dat moment niet draait.
5. Om goed te presteren, moet de BLUEFURY zwembadreiniger een snelheid van 31 - 33 t/min hebben (met een veegslang) en van 33 - 36 t/min (zonder veegslang).

Als het t/min lager is dan 31 of 33 (resp. met en zonder veegslang), dan belt u uw plaatselijke zwembadtechnicus.

Als het t/min hoger is dan 33 of 36 (resp. met en zonder veegslang), past u de klep op het muurstuk aan, zoals beschreven onder 'Het waterdebiet naar de zwembadreiniger instellen', tot het t/min tot in het optimale bereik daalt.



De leiding aan het zwembad aanpassen

De leiding bestaat uit: Drie (3) stukken van 10 voet (3 m), één (1) zachte, lichtgrijze hoofdleiding, aangeduid als sectie één, en twee (2) stijvere, donkergrijze voedingsleidingen, aangeduid als secties twee en drie.

Belangrijk voor de werking van de zwembadreiniger:

Meet, snij en stel de leidingsecties samen zoals beschreven in stappen 1 en 2. Gebruik een stevige schaar of een scherp mes om de leidingen te snijden. Zorg ervoor dat u de vlotters opzij schuift wanneer u de leiding doorsnijdt. Snij de uiteinden van de leiding zo recht mogelijk af.

Stap 1: De lengte van sectie 1 bepalen

1. Meet het diepste punt van het zwembad. Zie figuur 8.
Opmerking: Het rooster of de koepel boven de hoofdafvoer, op de vloer van het zwembad, is gewoonlijk het diepste punt. Als het zwembad dieper is dan 10 voet (3 meter), moet u de leiding niet doorsnijden en gaat u voort met stap 2.
2. Als het zwembad minder dan 10 voet (3 meter) diep is, maakt u de zachte, lichtgrijze hoofdleiding, sectie een, van het scharnierelement los. Snij de hoofdleiding zo door dat de lengte ervan gelijk is aan de grootste diepte van het zwembad. Zie figuur 9.
Voorbeeld: Als het zwembad $8\frac{1}{2}$ voet (2,5 m) diep is, snijdt u $1\frac{1}{2}$ voet (0,5 m) van de leiding (sectie een) - de leiding is immers 10 voet (3 m) lang.
3. Leg de overtollige leiding opzij. Sluit de aangepaste hoofdleiding opnieuw op het scharnierelement op de voedingsleiding aan. Nu moet u de drie secties van de leiding aan elkaar koppelen.

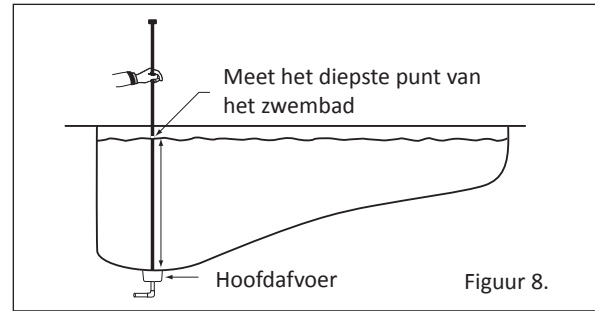
Stap 2: De lengte van leidingsecties 2 en 3 bepalen

1. Bevestig de leiding op het muurstuk. Zie figuur 10. Bevestig vervolgens het muurstuk (met leiding) op de muuradapter. Zie figuur 10. Neem het andere uiteinde van de leiding vast en loop naar het punt van de zwembadrand dat het verst van de muuradapter verwijderd is. Om te vermijden dat u de leiding te sterk opspant, laat u haar op het zwembadwater drijven. Meet de overtollige lengte van de leiding (het stuk dat voorbij de zwembadrand komt). Dat stemt overeen met de lengte die van leidingsecties 2 en 3 afgesneden moet worden.
2. Neem de voedingsleiding weg van de muuradapter. Maak secties 2 en 3 van het eerste scharnierelement los (het element het dichtst bij het muurstuk).
3. Snij van de twee leidingsecties, secties 2 en 3, telkens de helft van de overtollige lengte af (elke sectie telt vier vlotters). Beide secties van de voedingsleiding moeten nadat u ze ingekort hebt, even lang zijn.

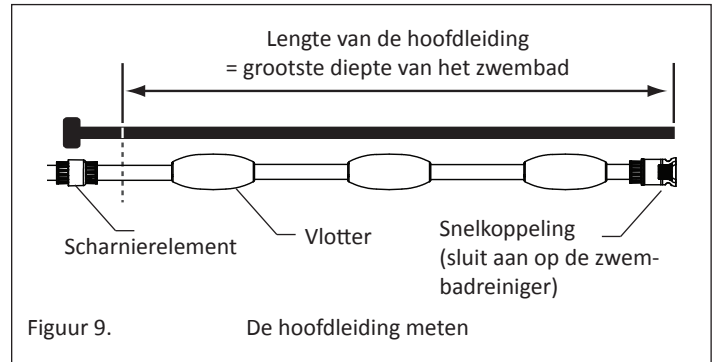
Voorbeeld: Als de leiding 6 voet (2 m) te lang is. Snij 3 voet (1 m) af van sectie 2 en 3 voet (1 m) van sectie 3. (De helft van 6 voet (2 m) = 3 voet (1 m) elk)

Als u meer dan 3 voet (1 m) van elke leidingsectie snijdt, neemt u een (1) vlotter van elke leidingsectie weg.

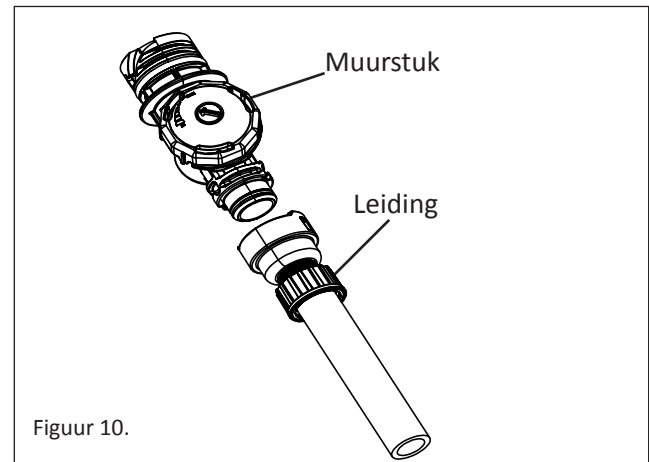
Opmerking: Bij grote zwembaden waarvoor u extra leidinglengtes nodig hebt, moet u een (1) bijkomende leiding kopen, P/N 360265 (10 voet (3 m), enkele leiding). Bevestig extra leidingsecties op het muurstuk met het geleverde scharnierelement en de klemmoeren.



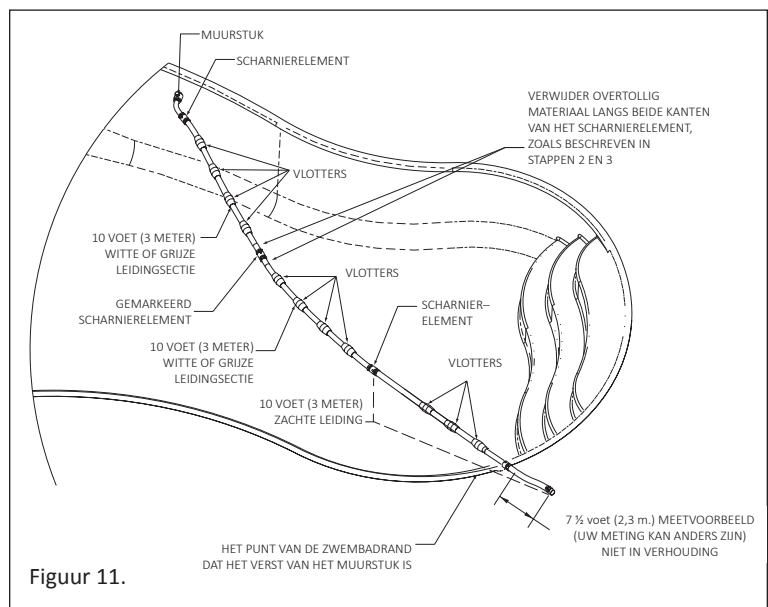
Figuur 8.



Figuur 9.



Figuur 10.



Figuur 11.

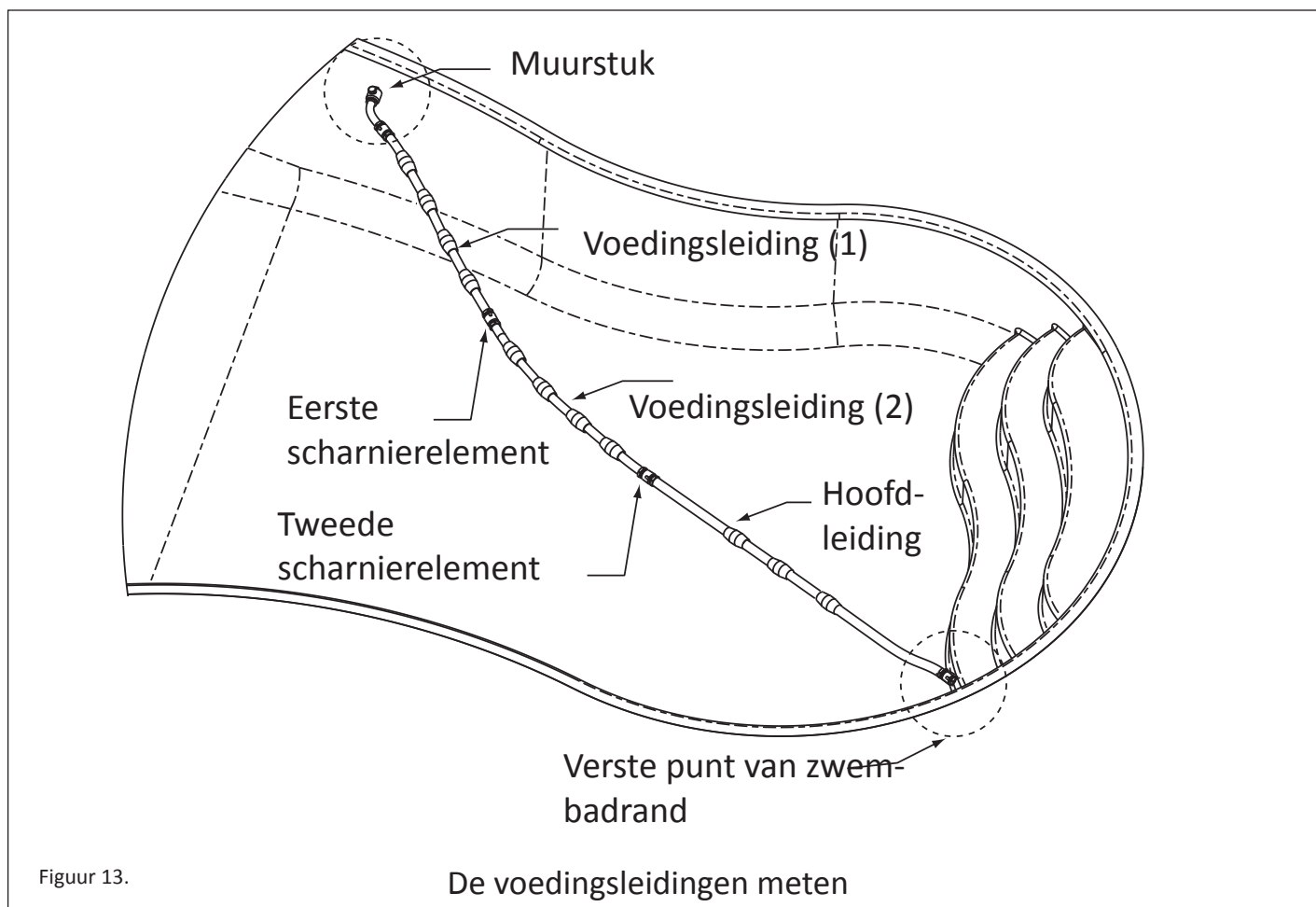
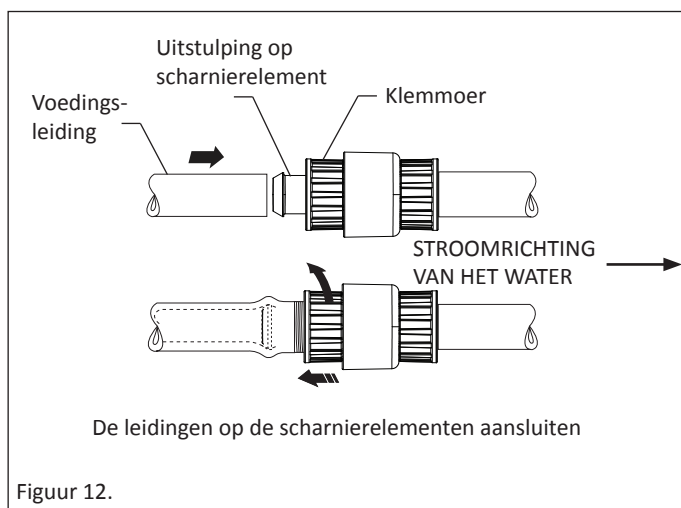
VERWIJDER OVERTOLLIG MATERIAAL LANGS BEIDE KANTEN VAN HET SCHARNIERELEMENT, ZOALS BESCHREVEN IN STAPPEN 2 EN 3

HET PUNT VAN DE ZWEMBADRAND DAT HET VERST VAN HET MUURSTUK IS

$7\frac{1}{2}$ voet (2,3 m.) MEETVOORBEELD (UW METING KAN ANDERS ZIJN) NIET IN VERHOUDING

Stap 3: De leidingsecties aan elkaar koppelen

1. Nadat u de leidingsecties op de juiste maat gesneden hebt, koppelt u ze weer aan elkaar door het uiteinde van de leiding over de verhoging op het scharnierelement te duwen.
Opmerking: Zorg ervoor dat u de leiding volledig over de uitstulping duwt, tot tegen de aanslag.
2. Schuif de klemmoer tot tegen de leiding, draai ze in wijzerzin tot ze vast zit op de leiding. Indien nodig gebruikt u een tang.
Opmerking: Controleer of de leidingsecties 2 en 3 hetzelfde aantal vlotters tellen, zoals beschreven in Stap 2.
3. Om te controleren of u de leiding op de juiste lengte gesneden hebt, sluit u de leiding en het muurstuk weer op de muuradapter aan. Neem het andere uiteinde van de leiding vast en loop naar het punt van het zwembad dat het verst van de muuradapter af is. De leiding moet de rand van het zwembad bereiken, maar mag niet meer dan 6 inch (20 cm) over de rand steken.
4. U kunt nu de zwembadreiniger op de leiding bevestigen.

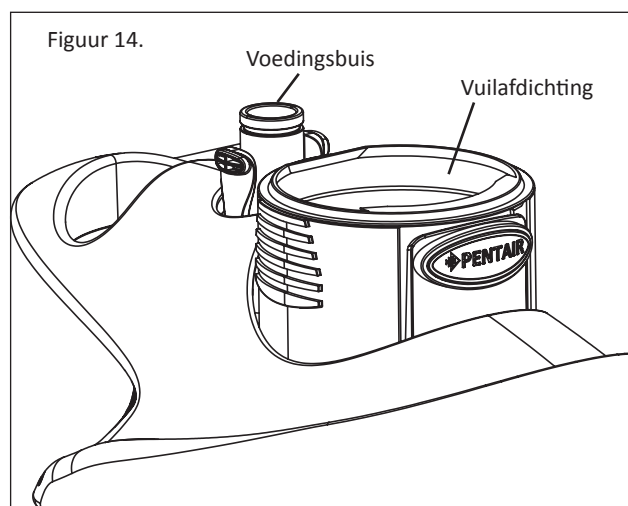
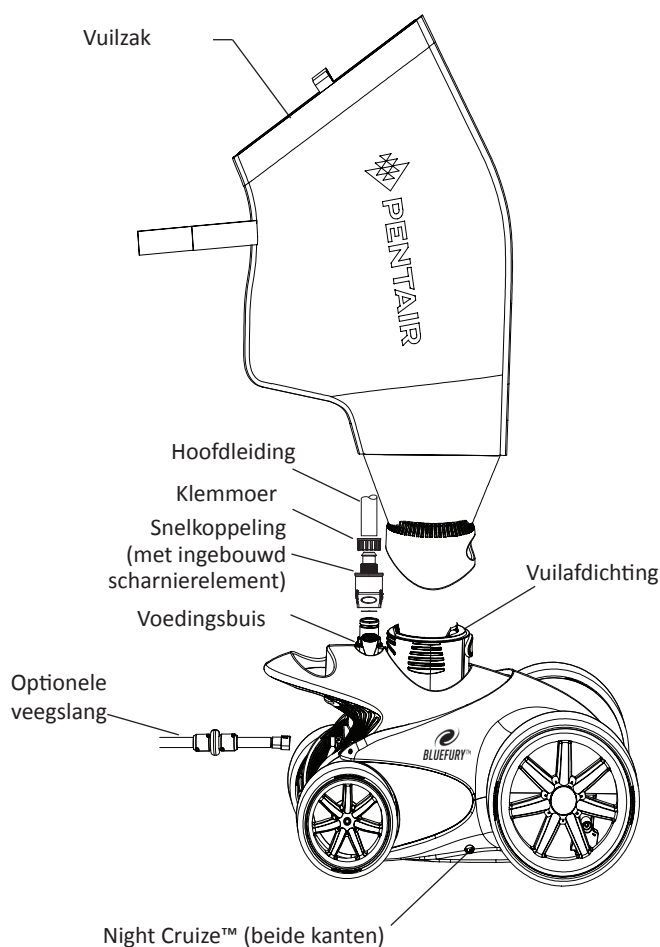


De zwembadreiniger assembleren

1. Bevestig de snelaansluiting op het uiteinde van de leiding op de voedingsbuis van de zwembadreiniger. Controleer of de klemkoppen op hun plaats zitten.
2. Maak de vuilzak op de zwembadreiniger vast. Duw de zak over de zuigbuis om hem op zijn plaats te klikken.
3. Voor u de zwembadreiniger gebruikt, overloopt u de controlelijst.
 - Leidingen goed gesneden en gelijkmatig aangebrachte vlotters.
 - De klemmoeren op de voedingsleiding zijn goed gesloten.
 - Het muurstuk zit stevig op zijn plaats.
 - De vuilzak en de leiding zijn aangebracht.
 - Controleer of de vuilzak goed vastgemaakt is. Zie figuur 14.

De zwembadreiniger gebruiken

1. Laat de zwembadreiniger voorzichtig in het zwembad zakken.
2. Schakel de FILTERPOMP in.
3. Wacht minstens 60 seconden zodat de lucht uit de leiding kan ontsnappen.
4. Schakel de DRUKVERHOOGINGSPOMP in.



De zwembadreiniger assembleren

DE ZWEMBADREINIGER INSTELLEN EN BEDIENEN

De zwembadreiniger bedienen

Opmerking: Het kan nodig zijn om enkele kleine aanpassingen aan de zwembadreiniger uit te voeren om te garanderen dat hij goed werkt en het best mogelijke resultaat oplevert.

Wanneer de zwembadreiniger normaal werkt, beweegt hij zich in een willekeurig patroon over de zwembadbodem voort, terwijl hij die borstelt en het vuil opzuigt.

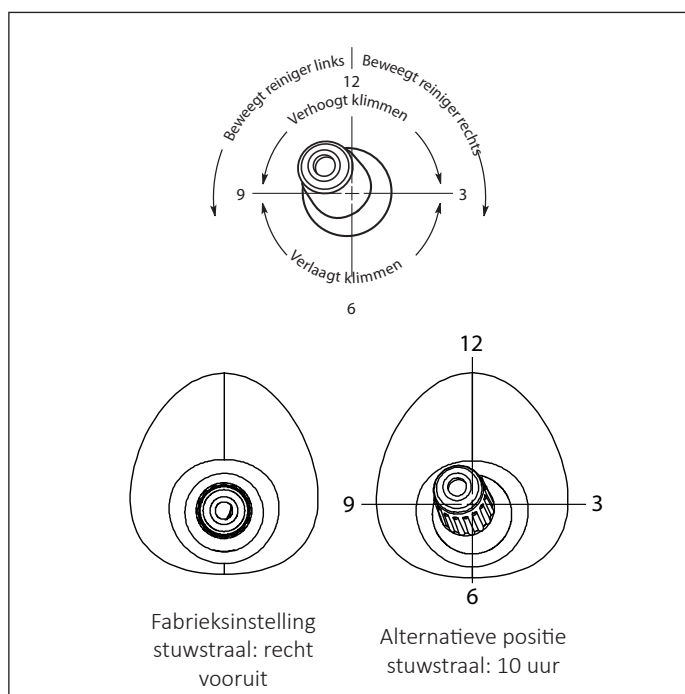
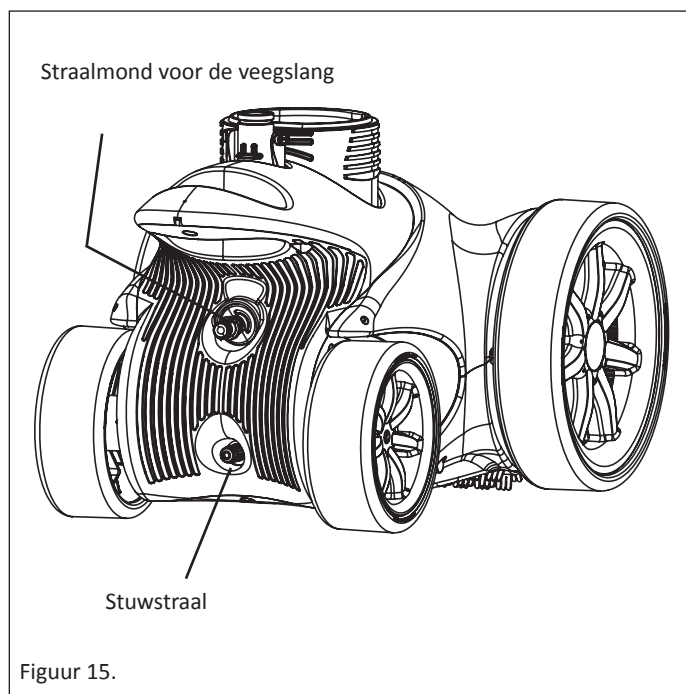
- Het klimvermogen van de zwembadreiniger hangt af van de zwembadstructuur en het waterdebiet.
- Een reinigingscyclus van een uur is aanbevolen voor privézwembaden met gemiddelde afmetingen (15' x 30' – 5 x 10 m).
- De zwembadreiniger werkt efficiënter in zwembaden zonder scherpe overgangen tussen de zwembadbodem en de wanden.
- Om de 2 ½ minuut gaat de zwembadreiniger automatisch gedurende ongeveer 15 seconden in de achteruitmodus.
- Als er veel vuil in het zwembad ligt, laat de zwembadreiniger dan twee korte cycli uitvoeren. Maak de vuilzak tussen de cycli leeg.

De stuwstraal aanpassen

De mond voor de stuwstraal bevindt zich op de achterzijde van de zwembadreiniger, onder de mond voor de veegslang, en bepaalt mee de rijrichting van de zwembadreiniger. Zie figuur 15.

Eventueel moet u de richting van de stuwstraal aan de vorm van het zwembad aanpassen zodat de zwembadreiniger een maximaal oppervlak bestrijkt.

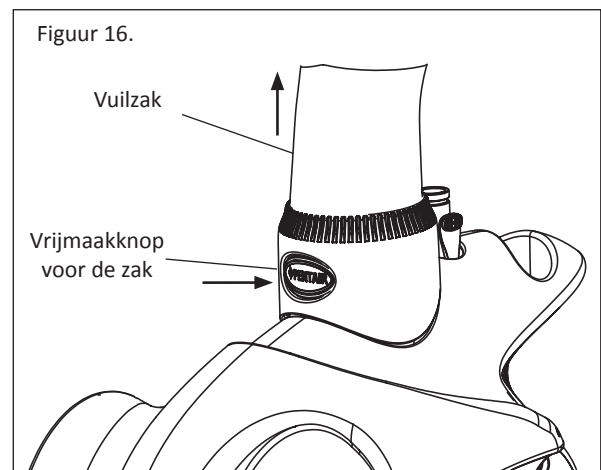
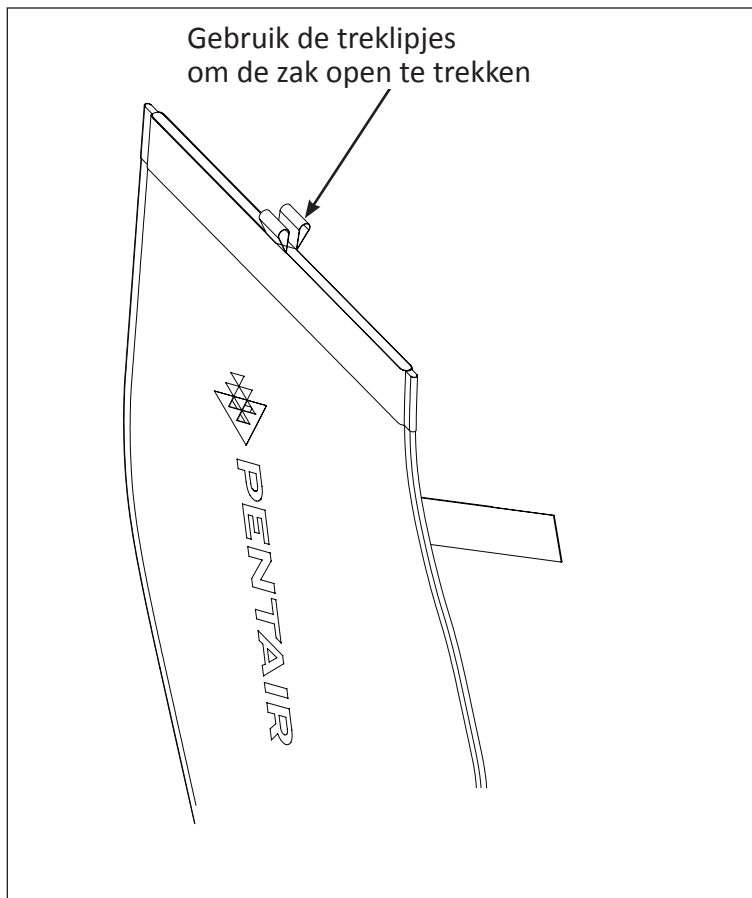
De alternatieve straalposititie die hieronder afgebeeld is, kan het klimvermogen van de zwembadreiniger verbeteren.



De vuilzak leeg maken

1. Maak de zakklem van de leiding los.
2. Druk de vrijmaakknop op de zuigbuis van de zwembadreiniger in en neem de zak voorzichtig van de zwembadreiniger weg. Zie figuur 16.
3. Open de zak door de treklipjes (in stof) aan de bovenzijde van de zak uit elkaar te trekken. Terwijl u de onderzijde van de zak vasthoudt, draait u hem om zodat het vuil er langs boven uit kan. Indien nodig spoelt u de zak uit met een tuinslang.
4. Om de zak te sluiten, drukt u de haak en de weefsellus op de bovenzijde van de zak samen. Strijk met uw vingers over de hele lengte van de zak zodat die volledig gesloten is.
5. Controleer of de vuilafdichting op de zuigbuis gemonteerd is. Zie Figuur 14.
6. Schuif de kraag van de vuilzak over de zuigbuis tot hij op zijn plaats klikt.
7. Bevestig de klem opnieuw op de voedingsleiding.
8. Om te vermijden dat de zak tijdens het gebruik dichtvouwt, bevestigt u de lus boven de eerste vlotter van de voedingsleiding. Indien nodig schuift u de vlotter naar beneden.

Opmerking: U kunt de vuilzak gemakkelijker leeg maken wanneer hij droog is. U kunt een tweede zak (afzonderlijk te koop) gebruiken terwijl de gebruikte vuilzak droogt.



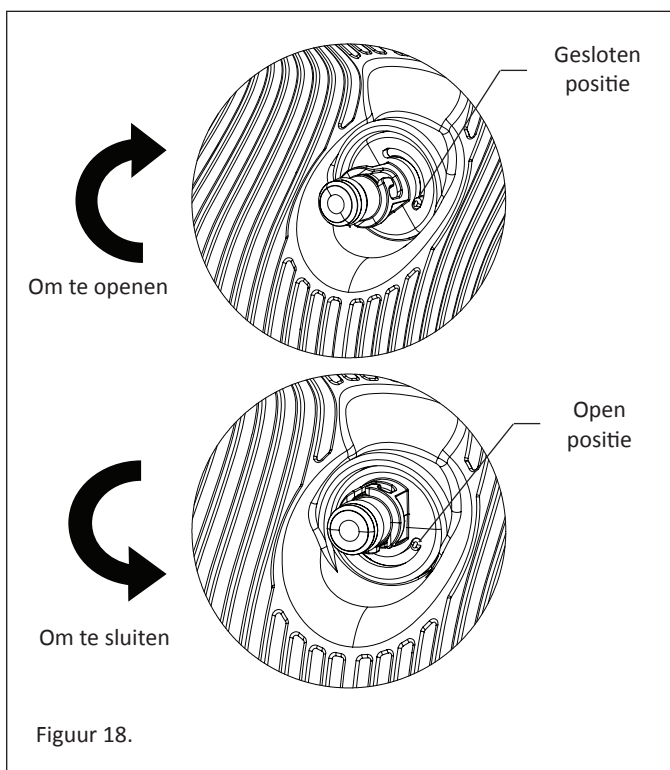
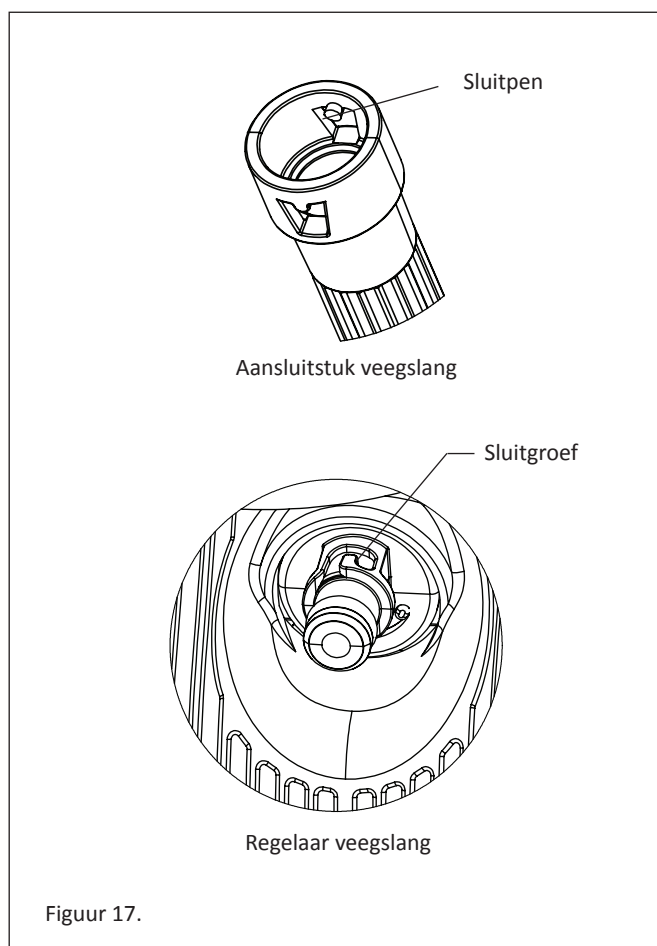
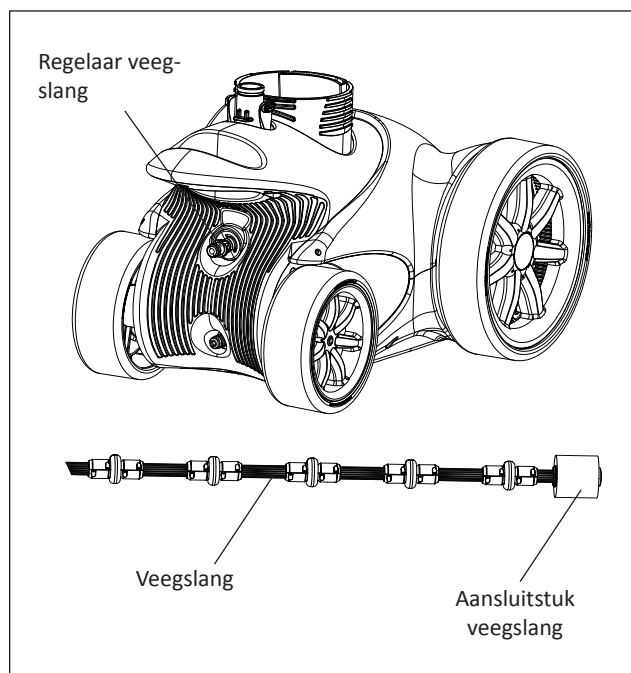
De regelaar van de veegslang instellen wanneer die gemonteerd is

De veegslang voert een zachte, veggende beweging uit om vuil te verwijderen uit moeilijk te bereiken hoekjes van het zwembad.

Opmerking: 1. Pas de regelaar van de veegslang niet aan terwijl de zwembadreiniger in werking is. Dat kan de zwembadreiniger beschadigen.

2. Om de veegslang aan te passen, moet u de regelaar ervan gebruiken.

1. Als u niet van plan bent om de optionele veegslang te gebruiken, hoeft u nu niets meer te doen. Ga naar Stap 2 om de optionele veegslang op de zwembadreiniger aan te sluiten en om de regelaar van de veegslang te openen.
2. Om de veegslang op de BLUEFURY™ zwembad drukreiniger te bevestigen, plaatst u de sluitpinnen op de binnenzijde van het aansluitstuk van de veegslang (klein rond aansluitstuk op het uiteinde van de veegslang) op de sluitgroeven van de regelaar voor de veegslang op de zwembadreiniger. Zie figuur 17.
3. Af fabriek is de regelaar voor de veegslang gesloten. Om de regelaar van de veegslang te openen, duwt u het aansluitstuk van de veegslang op de regelaar. Wanneer u het aansluitstuk niet verder kunt duwen, draait u het in wijzerzin tot het stopt (ongeveer 45 graden). Zie figuur 18. Trek zachtjes het aansluitstuk van de veegslang naar achteren; het aansluitstuk klikt dan op zijn plaats.
4. Om de veegslang te verwijderen en de regelaar van de veegslang uit te schakelen, draait u het aansluitstuk van de veegslang tegen de wijzers in tot het stopt (ongeveer 45 graden). Zie figuur 18. Trek de veegslang van de regelaar af en berg haar op een veilige plaats weg.



ONDERHOUD

Periodiek onderhoud

U moet de zwembadreiniger en zijn onderdelen geregeld inspecteren. Vervang en/of repareer alle versleten of beschadigde onderdelen. Wanneer de instructies niet opgevolgd worden of de zwembadreiniger niet goed geïnstalleerd wordt, kan dat tot schade aan de zwembadreiniger, de afwerking van het zwembad of de vinyl liner leiden.

De volgende onderdelen zijn aan slijtage onderhevig. Ze moeten geregeld geïnspecteerd worden en vervangen wanneer nodig.

Filter in muurstuk

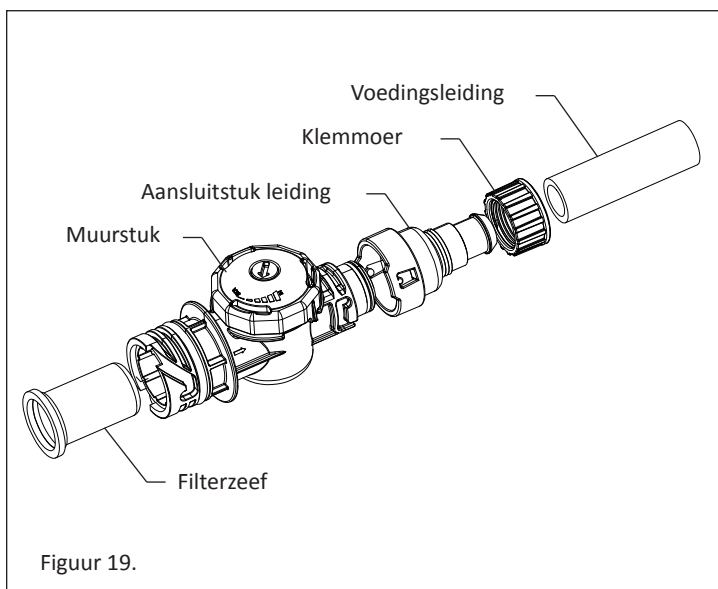
In het muurstuk is een roestvrij stalen filter ingebouwd die als een bijkomende filter fungeert. Die zeef vangt vuil op dat de zwembadfilter gepasseerd kan zijn.

Een vuile zeef kan op eventuele problemen in het filtersysteem van uw zwembad wijzen. Neem indien nodig contact op met uw plaatselijke zwembadtechnicus.

Opmerking: De zwembadreiniger gebruiken zonder de filter kan de zwembadreiniger beschadigen en de garantie nietig maken.

Om de filter te schoon te maken:

1. Schakel de drukverhogingspomp en vervolgens de filterpomp uit.
2. Haal het muurstuk uit de muuradapter.
3. Haal de filter uit de binnenzijde van het muurstuk.
4. Spoel de filter grondig uit tot hij zuiver is en plaats hem dan terug in het muurstuk.
5. Telkens als u de zwembadfilter schoonmaakt, terugspoelt of repareert, maak dan na de eerstvolgende schoonmaakcyclus van uw zwembadreiniger ook de filter in het muurstuk schoon.



Figuur 19.

De filterzeef schoonmaken

Banden

De banden zijn ontworpen om de bodem van uw zwembad te beschermen en om tractie te bieden. De banden zijn aan slijtage onderhevig en moeten af en toe vervangen worden.

Vuilzakken

De zwembadreiniger wordt geleverd met een algemene zak en kan dus voor alle soorten vuil ingezet worden. Vervang de zak wanneer het weefsel gescheurd of doorboord is.

Opmerking: Om de levensduur van uw zwembadreiniger te verlengen, neemt u hem uit het zwembad voor u chemicaliën toevoegt.

Veegslang

De veegslang is een optioneel accessoire dat u helpt om moeilijk toegankelijke hoekjes van het zwembad schoon te houden. Vervang de borstels van de veegslang wanneer nodig.

Rolringen van de veegslang

Uw veegslang is voorzien van een reeks van rolringen om de slang te beschermen. Vervang de ringen wanneer nodig. Controleer of de rolringen probleemloos draaien.

De zwembadfilter terugspoelen

Koppel de zwembadreiniger altijd van de zwembadmuur los voor u de zwembadfilter schoonmaakt of terugspoelt. Nadat u de filter schoongemaakt of teruggespoeld hebt, laat u het filtersysteem van het zwembad en de drukverhogingspomp minimum vijf minuten draaien om de retourleidingen uit te spoelen, voor u de zwembadreiniger aansluit.

Opbergen en winterklaar maken

De muuradapter kunt u in de muur laten zitten. Berg de leidingen recht weg, zonder knikken. Als u de leiding opgerold wegbergt, rol ze dan uit en leg ze gedurende 12 tot 24 uur in de zon voor u haar weer gebruikt. Gebruik de debietregelaar om te controleren of het debiet groot genoeg is voor de werking van de zwembadreiniger.

Vervangonderdelen

De meest recente versie van beschikbare vervangonderdelen kan U terugvinden op onze website : www.pentairpooleurope.com

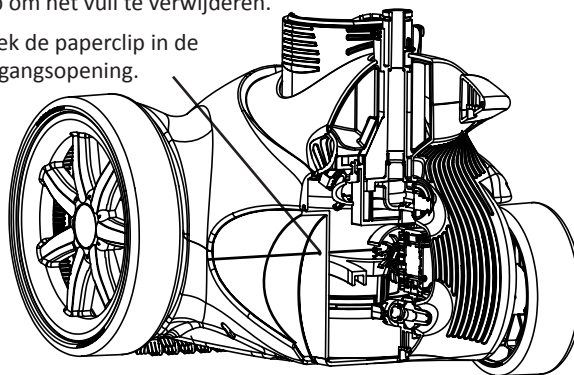
PROBLEMEN OPLOSSEN

Gebruik de volgende informatie om eventuele problemen met de BLUEFURY™ zwembad drukreiniger op te lossen.

Probleem	Maatregel
De zwembadreiniger beweegt niet of beweegt traag.	<p>Controleer of de filter- en drukverhogingspomp ingeschakeld zijn en water verplaatsen. (U moet eventueel het filtersysteem van uw zwembad schoonmaken.)</p> <p>Controleer of de filter in het muurstuk zuiver is; het kan dat u de filter moet wegnemen en uitspoelen.</p> <p>Met de debietregelaar (geleverd) controleert u het waterdebiet. Indien nodig past u het debiet op het muurstuk aan.</p> <p>Controleer alle aansluitingen en scharnierelementen van de leiding op lekken.</p> <p>Controleer op opgehoopt vuil in de tandwielen van de aandrijving naar de voorwielen. Draai de voorwielen zachtjes naar achteren om het vuil los te maken.</p> <p>Controleer of de achterwielen vrij draaien. Vervang de wielen indien nodig.</p>
De zwembadreiniger hangt vast tegen trappen.	Controleer of de voorwielen (grote wielen) ongeveer om de 2-1/2 minuten in achteruit gaan.
De zwembadreiniger helt over naar één kant.	<p>Dat wijst gewoonlijk op een volle vuilzak. Maak de vuilzak leeg.</p> <p>Opmerking: Tijdens een bocht kan de zwembadreiniger langs één kant overhellen (op twee wielen). Hou de zwembadreiniger enkele minuten in het oog om te zien of hij uit zichzelf in de rechte positie terugkeert.</p>
De zwembadreiniger gaat niet in achteruit.	<p>Controleer of de voorwielen (grote wielen) ongeveer om de 2-1/2 minuten in achteruit gaan.</p> <p>Met de debietregelaar (geleverd) controleert u het waterdebiet. Indien nodig past u het debiet op het muurstuk aan.</p>
De zwembadreiniger klimt niet.	<p>Controleer de vuilzak. Maak de vuilzak leeg wanneer hij vol is.</p> <p>Met de debietregelaar (geleverd) controleert u het waterdebiet. Indien nodig past u het debiet op het muurstuk aan.</p> <p>Zet de stuwmond in een andere positie om het klimvermogen te verbeteren.</p> <p>Opmerking: Het klimvermogen van de zwembadreiniger hangt af van de vorm van het zwembad en van het beschikbare waterdebiet. De zwembadreiniger klimt beter in zwembaden zonder scherpe hoeken tussen zwembadbodem en zwembadwand.</p>
De leidingen raken in lussen verward.	<p>Controleer de lengte van de voedingsleiding. Als die te lang is, kan de leiding verward raken of lussen vormen.</p> <p>Controleer of de voedingsleiding op het oppervlak van het zwembad drijft. De vlotters moeten gelijkmatig op de leiding aangebracht zijn, ongeveer om de twee voet (60 cm).</p> <p>Controleer of de scharnierelementen van de leiding vrij kunnen draaien. Vervang scharnierelementen die stroef bewegen.</p> <p>Controleer of de voedingsleiding geen knikken of bochten vertoont.</p>
De veegslang zit in de zuigbuis vast.	Controleer of de regelklep van de veegslang volledig open is.
De drukverhogingspomp maakt veel geluid.	<p>Controleer of de filter- en drukverhogingspomp ingeschakeld zijn en water verplaatsen. (U moet eventueel het filtersysteem van uw zwembad schoonmaken.)</p> <p>Controleer of het muurstuk goed geïnstalleerd is. Als dat lekt, moet de O-ring wellicht vervangen worden.</p> <p>Neem contact op met uw plaatselijke zwembadtechnicus – eventueel een probleem met de drukverhogingspomp.</p>

PROBLEMEN OPLOSSEN (Vervolg)

Probleem	Maatregel
De borstel op de voorzijde van de zwembadreiniger draait niet.	Hou de voorwielen in het oog terwijl de zwembadreiniger in het zwembad aan het werk is. De wielen en de voorborstel moeten tegelijk draaien. Controleer of er geen vuil in de borstel verward zit.
De achterwielen slepen/draaien niet.	Controleer of er geen vuil in de wielmof zit. Opmerking: Het kan dat u het wiel moet wegnemen – trek het recht van zijn mof af – om opeengepakt vuil te verwijderen.
De achterwielen vallen van de zwembadreiniger.	Vervang het wiel en de wielmof.
De Night Cruize™ leds branden niet tijdens de werking van de zwembadreiniger. (Opmerking: De werking van de leds heeft geen invloed op de werking van de zwembadreiniger.)	De turbine van de generator kan met vuil verstopt zijn. Om vuil uit de turbine van de generator te verwijderen: Zoek de toegangsopening onder het linker achterwiel. Daarvoor trekt u het wiel recht van de zwembadreiniger af. Gebruik een grote paperclip en schuif die ongeveer 2 inch (6 cm) in de toegangsopening. Ga voort tot u het schoepenwiel van de generatorturbine voelt en beweeg de paperclip tot het schoepenwiel roteert. Roteer het schoepenwiel verscheidene keren met de paperclip om het vuil te verwijderen. Steek de paperclip in de toegangsopening.



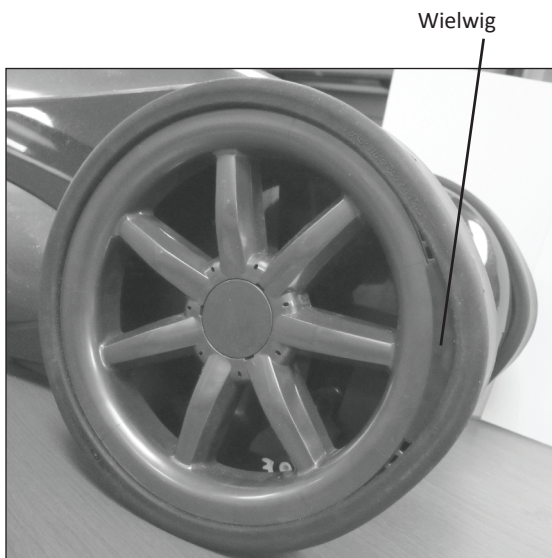
PROBLEMEN OPLOSSEN (Vervolg)

Steile overgangen in de vinyl liner

In sommige zwembaden met een diep gedeelte (duikgedeelte) kan de BLUEFURY™ zwembad drukreiniger moeite hebben om de overgang van het diepe naar het ondiepe stuk te overwinnen. Als dat zo is, moet u de wielwiggen aanbrengen die bij de zwembadreiniger geleverd worden, om die overgang te overwinnen. Die wiggen veroorzaken een bobbel in de band en helpen voorkomen dat de zwembadreiniger vast komt te zitten. Ze zijn niet in alle zwembaden nodig.

Opmerking: Beide wiggen moeten horizontaal en parallel met elkaar geïnstalleerd worden. Als ze niet met elkaar in lijn staan, kan dat tot gevolg hebben dat de zwembadreiniger moeite heeft om de overgangshoek te overwinnen. Dat is belangrijk voor een goede werking van de zwembadreiniger. Zie figuur 20.

1. Om de wielwig aan te brengen, trekt u de rubber band van op het kunststof wiel omhoog en duwt u de wig stevig tussen de band en het wiel. Het vlakke oppervlak op de onderzijde van de wig moet eerst aangebracht worden, van de buitenkant naar de binnenkant van de wielen. Zie figuur 21. Controleer of de sleuven op het kunststof wiel en de sleuven op de onderzijde van de wig in elkaar passen.
2. Duw de wig in de richting van de neus van de zwembadreiniger tot hij goed op zijn plaats zit achter de lip van de rubber band. Zie figuur 20.



Figuur 20.



Figuur 21.

Service à la clientèle

HERENTALS, BELGIQUE (8:30 A.M. to 4:30 P.M.) CET

Website : www.pentairpooleurope.com

E-mail : poolemea@pentair.com

Déclaration de conformité

Nous déclarons, sous notre seule responsabilité, que le produit identifié dans cette déclaration et sur lequel porte cette déclaration est conforme aux exigences essentielles de la dernière version des Directives européennes suivantes :

- CENELEC EN 55015:2006

- CENELEC EN 61547:1995



Le fabricant, Pentair, est en droit de modifier sans avis préalable tant que leurs caractéristiques n'en sont pas fondamentalement modifiées.

© 2014 Pentair, Inc. Tous droits réservés. Ce document est sujet à révision sans préavis.

Toutes les marques de commerce et logos Pentair sont la propriété de Pentair, Inc. Pentair Aquatic Systems™ et BLUEFURY™ sont des marques de commerce ou des marques déposées de Pentair, Inc. ou de ses sociétés affiliées aux États-Unis ou dans d'autres pays. Sauf indication expressément contraire, les noms et marques de tiers qui peuvent être utilisés dans le présent document ne sont pas utilisés pour indiquer une affiliation ou une approbation entre les propriétaires de ces marques et Pentair, Inc. Ces noms et marques peuvent être des marques de commerce ou des marques déposées de ces tiers. Parce que nous améliorons constamment nos produits, Pentair se réserve le droit de changer ses spécifications sans avis préalable.

Pentair offre l'égalité d'accès à l'emploi.

⚠ DANGER Le non-respect des instructions énoncées dans ce manuel peut entraîner des effets indésirables graves pour la santé, voire des lésions sévères ou fatales. Le non-respect des instructions énoncées dans ce manuel invalide automatiquement toutes les garanties et toute responsabilité dans le chef du fabricant.

AVERTISSEMENT ET CONSIGNES DE SÉCURITÉ IMPORTANTS



Avis important:

À l'attention de l'installateur : ce guide contient des informations importantes concernant l'installation, le fonctionnement et l'utilisation sécurisée de ce produit. Cette information doit être remise au propriétaire ou à l'utilisateur de cet équipement après l'installation du nettoyeur de piscine.

À l'attention de l'utilisateur : ce manuel contient des informations importantes qui vous aideront à utiliser et à assurer l'entretien de ce nettoyeur de piscine. Veuillez le conserver pour référence future. Consultez Pentair si vous avez des questions concernant cet équipement.

Avant d'installer ce produit, lisez et respectez toutes les consignes d'avertissement et les instructions comprises. Toute effraction à ces consignes de sécurité et instructions peut causer des blessures graves ou mortelles, ou des dommages matériels. Visitez-vous www.pentairpooleurope.com pour recevoir gratuitement des manuels de consignes de sécurité supplémentaires.

Information pour le client et la sécurité

Ce nettoyeur de piscine est conçu et fabriqué pour servir pendant de nombreuses années de façon sûre et fiable si son installation, son fonctionnement et son entretien respectent les informations contenues dans ce manuel. Dans tout ce manuel, des avertissements de sécurité et des avis de précaution sont identifiés par le symbole « **⚠** ». Assurez-vous de lire et de vous conformer à tous les avertissements et avis de précaution.

⚠ WARNING Ne jouez pas avec le nettoyeur ou le tuyau et ne les appliquez pas sur le corps. Il peut piéger ou arracher les cheveux ou des parties du corps. Le tuyau peut faire trébucher ou s'emmêler avec les nageurs, ce qui peut causer une noyade. **Arrêtez la pompe avant de nettoyer l'appareil.** Ne permettez pas l'utilisation de la piscine lors du fonctionnement du nettoyeur. Pour réduire le risque de blessure, ne laissez pas les enfants utiliser ou jouer avec le nettoyeur de piscine.

⚠ CAUTION Les pièces en mouvement peuvent blesser les mains ou les doigts. Arrêtez la pompe avant de nettoyer la tête du nettoyeur de piscine

Informations générales d'installation

Liste de vérification avant l'installation

Avant d'installer votre nettoyeur, réviser et comprendre tous les avertissements et l'information de sécurité contenus dans ce guide. Le fait de ne pas suivre ces instructions ou une installation incorrecte du nettoyeur peuvent causer des dommages au revêtement de la piscine ou à la membrane de vinyle. La plupart des nettoyeurs ne sont pas conçus pour traverser du fond aux parois lorsque la gorge de piscine est de 90 %. Il peut y avoir d'autres structures installées dans la piscine autour desquelles le nettoyeur ne peut pas naviguer, SOYEZ-EN CONSCIENT et surveillez le nettoyeur lorsque des conditions uniques sont présentes. Pentair Aquatic Systems décline toute responsabilité pour les réparations ou le remplacement d'une quelconque de ces structures ou composants de la piscine du client.

Avant d'installer le nettoyeur dans une piscine munie d'une membrane de vinyle :

vérifiez soigneusement la membrane pour tout signe de détérioration ou de dommages attribuables à l'âge, aux produits chimiques, à des dommages de la paroi, etc. Si vous constatez des dommages, demandez à un professionnel de piscines qualifié d'effectuer toutes les réparations nécessaires. Aussi, s'il y a des cailloux, des racines, etc. sous la membrane, retirez-les avant d'installer le nettoyeur.

Avant d'installer le nettoyeur dans une piscine de gunite ou une piscine carrelée en partie ou en totalité :

Assurez-vous que le revêtement de la piscine est en bon état, car les taches, l'attaque d'un produit chimique, les fissures ou le décollage peuvent empirer. Réparez les carreaux qui se détachent et revisez les anneaux des lumières.

Avant d'installer le nettoyeur, nettoyez votre système de filtration :

Assurez-vous que vous avez nettoyé le filtre, y compris le lavage à contre-courant, le rinçage et videz tous les paniers. Un système propre est nécessaire pour le fonctionnement correct du nettoyeur et sa portée.

Avant d'installer le nettoyeur, comprenez la portée du nettoyeur :

Le nettoyeur est conçu pour débarrasser votre piscine de débris dans une période de 4 à 6 heures environ. Cela peut prendre moins de temps, selon la dimension de la piscine. Le nettoyeur n'est pas conçu pour nettoyer automatiquement des marches ou des sorties de piscine ou pour fonctionner sous une toile solaire. Le nettoyeur peut se coincer dans ces zones, ce qui peut endommager le revêtement de la piscine ou la membrane de vinyle. Pentair Aquatic Systems décline toute responsabilité pour les réparations ou le remplacement d'une quelconque de ces structures ou composants de la piscine du client. Il n'est pas conçu non plus pour le nettoyage initial d'une piscine neuve ou pour l'ouverture de votre piscine pour la saison.

APRÈS l'installation du nettoyeur, assurez-vous qu'il fonctionne correctement :

Le nettoyeur peut avoir besoin de quelques réglages mineurs pour s'assurer qu'il fonctionne correctement afin qu'il n'y ait pas de dommages au revêtement de la piscine. Certains motifs de membrane de vinyle sont particulièrement susceptibles à l'usure de surface, l'élimination du motif ou de l'encre par friction, ou à de sérieuses éraflures du motif causées par des objets entrant en contact avec la surface du vinyle, y compris les nettoyeurs automatiques de piscines. Pentair Aquatic Systems n'est pas responsable de toute élimination du motif, abrasions ou marques sur les membranes de vinyle. Inspectez régulièrement les composants du nettoyeur et la performance du nettoyeur pour vous assurer qu'il fonctionne comme prévu. Remplacez et/ou réparez tous les composants usés ou endommagés. Le fait de ne pas suivre les instructions ou une installation incorrecte du nettoyeur peuvent causer des dommages au nettoyeur, au revêtement de la piscine ou à la membrane de vinyle.

Modalités et conditions de garantie limitée

Avant d'installer votre nettoyeur, réviser et comprendre tous les avertissements et les informations de sécurité et de garantie dans ce guide. Le fait de ne pas suivre ces instructions ou une installation incorrecte du nettoyeur peuvent causer des dommages au revêtement de la piscine ou de la membrane de vinyle, Pentair Aquatic Systems décline toute responsabilité pour les réparations ou le remplacement d'une quelconque de ces structures ou composants de la piscine du client.

Garantie Limitée : 2 ans

Détails complémentaires : www.pentairpooleurope.com

Déni de responsabilité À propos de votre nettoyeur de parois de piscine à pression

Il y a une multitude de facteurs qui contribuent à la durée de vie de votre piscine. Le nettoyeur de piscine est un produit très passif qui n'a aucun impact sur la durée de vie de la piscine.

Veillez noter qu'au fil du temps, la détérioration, la décoloration ou l'effritement de tout revêtement de piscine peuvent être causés séparément par l'âge, un déséquilibre chimique de l'eau de la piscine, une installation incorrecte ou une combinaison de ces facteurs ainsi que d'autres facteurs. Les nettoyeurs de parois de piscine à pression n'arracheront ni ne causeront d'usure à un « bon » revêtement de piscine. En fait, c'est le contraire qui se produit. Le revêtement de piscine finit par causer une usure du nettoyeur.

La même situation s'applique aux piscines creusées avec membrane de vinyle, car les membranes de vinyle sont aussi affectées par l'environnement et des facteurs tels que la chimie de l'eau de la piscine, la lumière du soleil et les environs de la piscine. Donc, avec le temps, le vinyle peut devenir cassant et fragile. De plus, les piscines avec membrane de vinyle sont affectées par la qualité de la main-d'œuvre, la composition et l'installation de la membrane et la qualité de la main-d'œuvre et de construction des murs de soutènement et de la base de la piscine. Tous ces facteurs peuvent contribuer à un défaut de la membrane. L'existence de l'un de ces types de conditions dans votre piscine n'est pas causée par l'utilisation ou le fonctionnement du nettoyeur de piscine. Le fabricant décline toute responsabilité pour les réparations ou le remplacement d'une quelconque de ces structures ou composants de la piscine du client.

Le propriétaire de la piscine doit assumer l'entière responsabilité pour l'état et l'entretien de la surface de la piscine, l'eau et la terrasse.

Avant l'installation du nettoyeur, veuillez prendre le temps de noter son numéro de série. Ce numéro est inscrit sur votre bon de garantie et au dos du nettoyeur, près des jets arrière. Vous devrez fournir ce numéro si vous contactez le Service du soutien technique.

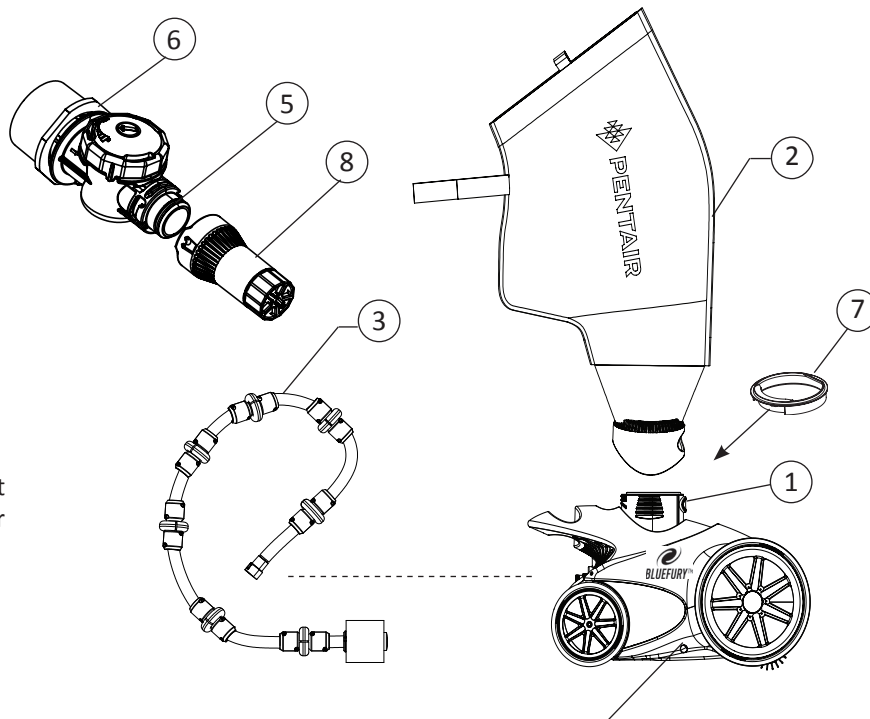
N° DE SÉRIE _____

Composants du nettoyeur

1. Tête du nettoyeur BLUEFURY™
2. Sac à débris
3. Tuyau balai (Pas nécessaire dans la plupart des piscines)
4. Assemblage du tuyau d'alimentation – non illustré (sections 3 pieds à 10 pieds/1 m à 3 m)
5. Connecteur mural
6. Adaptateur mural
7. Joint anti-débris

REMARQUE : Le système de nettoyage est livré avec joint de débris installé à l'intérieur de la tête de nettoyeur.

8. Débitmètre



Agréable éclairage de nuit DEL Night Cruise^{MC}

Aperçu

Le nettoyeur de parois de piscine à pression exécute une gestion de l'eau séquentielle en se déplaçant tout droit, à droite, à gauche et en remontant de manière aléatoire pendant que le nettoyeur se détache de la paroi à travers la piscine tout en aspirant, frottant et balayant le fond. Votre nettoyeur de piscine est muni d'un connecteur mural QuickConnect, qui se verrouille en tournant et possède un débitmètre.

- Pour un nettoyage continu et ininterrompu, le nettoyeur se mettra en marche arrière toutes les deux minutes, ce qui lui permet de nettoyer la piscine efficacement.

REMARQUE : avant d'installer et de faire fonctionner votre nettoyeur, lisez ces directives importantes :

1. Débranchez toujours le nettoyeur du mur de la piscine lors du nettoyage ou lavage à contre-courant du filtre de la piscine.
2. Après le nettoyage ou le lavage à contre-courant, laissez le système de filtration fonctionner au moins cinq minutes avant de rebrancher le nettoyeur.
3. Les conduites de plomberies neuves doivent être rincées avant d'installer le nettoyeur.
4. Le nettoyeur ne doit pas être utilisé pour enlever la poussière de plâtre dans les piscines neuves.
5. Enlevez toujours le nettoyeur avant que les baigneurs n'entrent dans la piscine.
6. Manipulez toujours le nettoyeur avec soin.
7. Prenez toujours le nettoyeur par la poignée, surtout pour le sortir de l'eau.

8. Ne touchez pas au nettoyeur lorsqu'il est en marche.
9. Enlevez toujours le nettoyeur de la piscine avant les traitements de choc chimiques (super chloration). En règle générale, toute eau de piscine dangereuse pour les baigneurs est dangereuse pour le nettoyeur.
10. Coupez soigneusement le tuyau d'alimentation en suivant les instructions.
11. En suivant ces simples directives, vous pouvez aider à la protection contre les blessures et prolonger la durée de vie de votre nettoyeur.
12. Référez-vous aux « Avertissement et consignes de sécurité importants » pour des informations supplémentaires en matière d'installation et de sécurité.

INSTALLATION

Installation de la pompe d'appoint

Si vous avez déjà une pompe d'appoint installée et opérationnelle, sautez cette étape et passez à la section « Installation du raccord mural et de l'adaptateur »

Veillez vous référer aux instructions de votre pompe d'appoint pour plus de renseignements sur l'installation.

Suivez ces instructions soigneusement.

Installation du raccord mural et de l'adaptateur mural

1. Enlevez et débranchez tout nettoyeur de piscine et/ou raccord mural existant.
2. Mettez en marche la pompe de filtrage et la pompe d'appoint pour rincer la plomberie.
3. Arrêtez la pompe de filtrage et la pompe d'appoint.
4. Insérez l'adaptateur mural dans la conduite de retour filetée NPT de 1-1/2 po (38 mm). Serrez à la main. **Voir la Fig. 3.**
5. Alignez le raccord mural avec la cheville de verrouillage rapide à l'intérieur de l'adaptateur mural. Tournez de ¼ de tour dans le sens horaire pour verrouiller le raccord mural. **Tirez légèrement vers l'extérieur afin d'assurer un bon alignement pour engager les chevilles de verrouillage rapide.** Voir la Fig. 3.

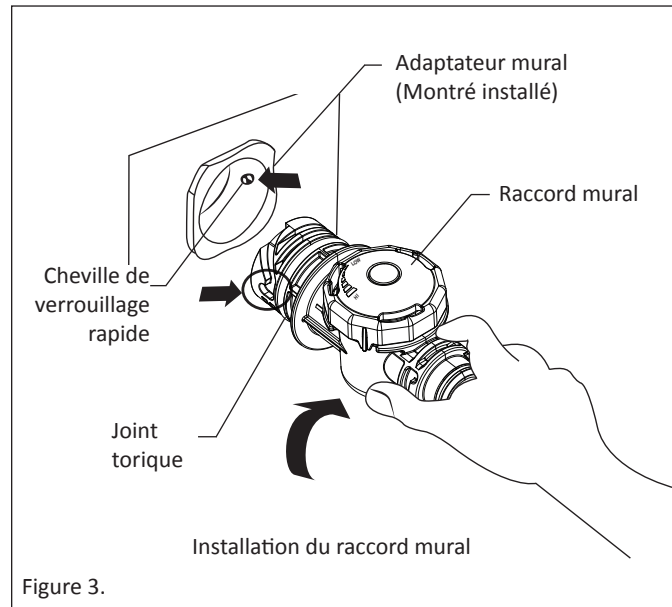


Figure 3.

Réglage du débit d'eau au nettoyeur

IMPORTANT! Avant de commencer cette procédure, assurez-vous d'arrêter la pompe du filtre et la pompe d'appoint.

1. Connectez le débitmètre au raccord mural en alignant les deux onglets sur le débitmètre. **Voir la Figure 4.** Poussez et tournez le débitmètre dans le sens horaire jusqu'à ce qu'il s'arrête, puis tirez-le légèrement de la paroi. Assurez-vous que le débitmètre est verrouillé en place en le tournant dans le sens antihoraire tout en le tirant légèrement. **Voir la Fig. 5.**

Remarque : le débitmètre ne tourne pas quand il est verrouillé en place.

2. Mettez en marche la pompe du filtre, puis la pompe d'appoint.
3. Vérifiez que le diaphragme (sur le levier à ressort) est aligné avec la marque sur le débitmètre. **Voir la Figure 6.**
4. Ajustez la vanne sur le raccord mural avec un tournevis plat en tournant la vanne dans le sens horaire (pour réduire le débit) ou antihoraire (pour augmenter le débit) afin que le diaphragme s'aligne avec les flèches sur les marques du débitmètre. **Voir la Figure 7.**
5. Arrêtez la pompe d'appoint, puis la pompe du filtre.
6. Retirez le débitmètre du raccord en poussant et en tournant dans le sens antihoraire, puis en retirant le débitmètre.
7. Branchez l'assemblage de tuyau déjà coupé à la dimension au raccord mural. Tournez dans le sens horaire, puis poussez d'un quart de tour pour le fixer fermement (tel qu'il est décrit à l'Étape 2).

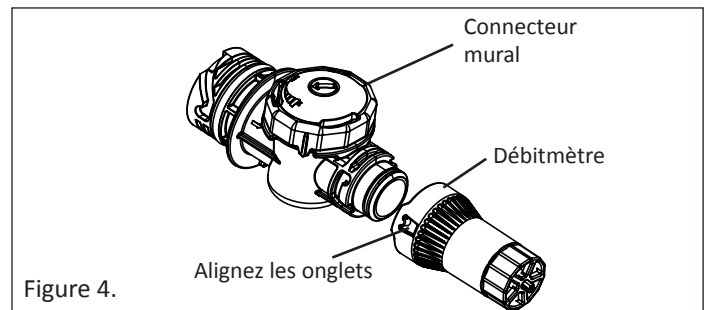


Figure 4.

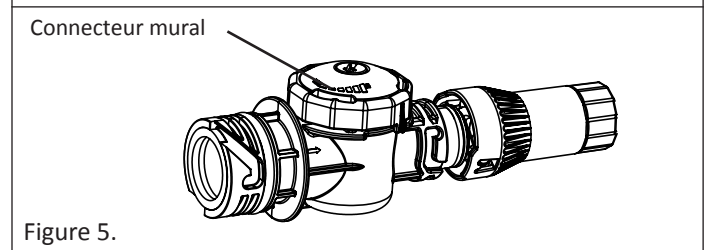


Figure 5.

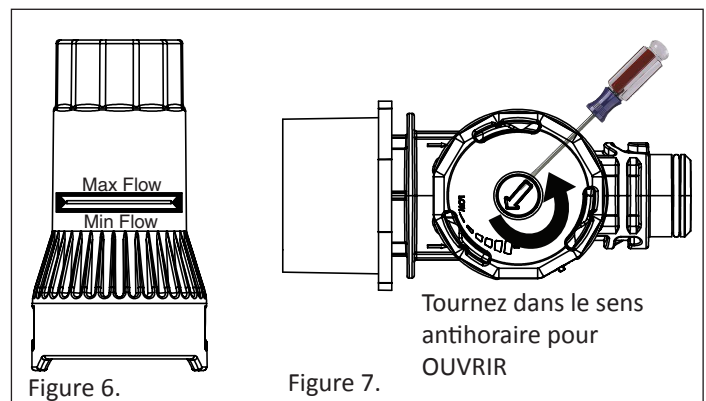


Figure 6.

Figure 7.

Calcul de la vitesse et des tr/min du nettoyeur

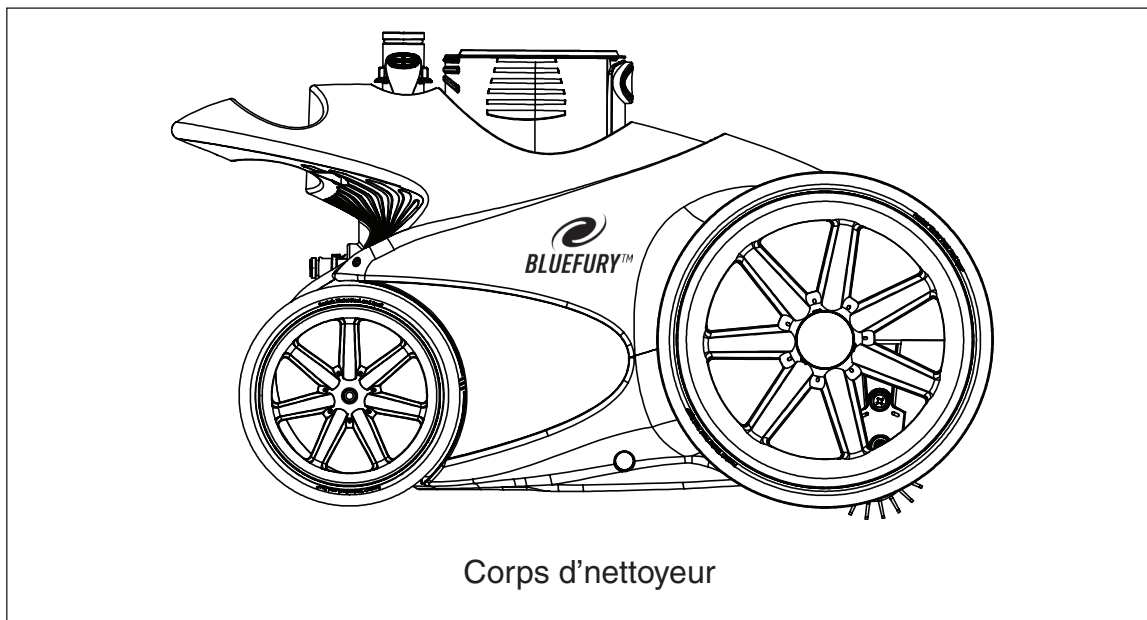
1. Afin de déterminer si le nettoyeur reçoit la pression d'eau nécessaire, désactiver la pompe pour piscine, puis soigneusement sortir le nettoyeur de la piscine.
2. Avec un feutre, dessiner une ligne noire sur la roue avant.
3. Demander à une autre personne de démarrer la pompe de la piscine et la pompe d'appoint tandis que vous posez le nettoyeur juste sous la surface de l'eau.

Remarque : ne pas oublier de tenir le tuyau balai (si installé) pour ne pas vous mouiller; l'eau remontera au régulateur pour tuyau balai une fois la pompe redémarrée.

4. **Remarque :** avant de commencer, vérifier que la valve de secours n'est pas activée.
Compter le nombre de tours complets de la marque noire sur la roue pendant environ une minute. Le nombre de tours complets représente la vitesse de fonctionnement (les tours par minute – tr/min) du nettoyeur.
5. Lorsque le nettoyeur fonctionne correctement, sa vitesse est de 31 à 33 tr/min avec le tuyau balai et de 33 à 36 tr/min sans le tuyau balai.

Si la vitesse du nettoyeur est inférieure à 31 tr/min avec le tuyau balai, ou 33 tr/min avec le tuyau balai, contacter votre professionnel en piscine local.

Si la vitesse du nettoyeur est supérieure à 33 tr/min avec le tuyau balai, ou supérieure à 36 tr/min sans le tuyau balai, ajuster la valve au niveau de l'applique de la paroi, comme décrit dans la section « Réglage du débit d'eau au nettoyeur », jusqu'à ce que la vitesse corresponde à la vitesse optimale décrite ci-dessus.



Adaptation de l'assemblage du tuyau à la piscine

L'assemblage du tuyau comprend trois (3) sections de 10 pieds (3 mètres) : un (1) tuyau de tête souple et deux (2) tuyaux semi-rigides.

Remarque : Le tuyau de tête souple est gris clair et muni de trois flotteurs. Les tuyaux semi-rigides sont d'un gris plus foncé et munis de quatre flotteurs chacun.

Important pour la performance du nettoyeur :

mesurez, coupez et assemblez ces sections de tuyau comme il est décrit aux Étapes 1 et 2. Utilisez des ciseaux robustes ou un couteau bien aiguisé pour couper les tuyaux, assurez-vous de glisser les flotteurs pour dégager l'emplacement de la coupe. Coupez les extrémités du tuyau aussi droit que possible.

Étape 1 : Mesure du tuyau de tête

1. Mesurez la partie la plus profonde de la piscine. Voir la Figure 8.

Remarque : la grille ou le dôme du drain principal au fond de la piscine est en général le point le plus profond. Si la profondeur est supérieure à 10 pieds (3 m), ne coupez pas le tuyau, et passez à l'Étape 2.

2. Si la profondeur de la piscine est inférieure à 10 pieds (3 mètres), débranchez le tuyau souple depuis le bout pivotant. Coupez le tuyau pour que sa longueur soit égale à la profondeur maximale de la piscine. Voir la Figure 9.

Exemple : si la profondeur de la piscine est de 8 ½ pi (2,5 m), coupez 1 ½ pi (50 cm) du bout connecté au second pivot (puisque la longueur du tuyau est de 10 pi/3 m)

3. Mettez au rebut l'excédent de tuyau. Reconnectez le tuyau que vous venez de couper au pivot sur le tuyau d'alimentation. Les trois sections doivent maintenant être connectées.

Étape 2 : Mesure des tuyaux d'alimentation (Sections 2 et 3)

1. Connectez l'assemblage des tuyaux au raccord mural. Voir la Figure 10. Puis connectez le raccord mural (avec le tuyau) à l'adaptateur mural. Voir la Figure 10. Prenez l'autre bout de l'assemblage des tuyaux et allez au point de la piscine le plus éloigné de l'adaptateur mural. Pour éviter d'étirer le tuyau, laissez-le flotter sur l'eau de la piscine. Mesurez l'excédent de longueur de tuyau (la portion de tuyau qui s'étend au-delà du bord de la piscine). Ceci détermine la longueur de tuyau à couper depuis les tuyaux d'alimentation semi-rigides (sections 2 et 3).
2. Débranchez l'assemblage du tuyau d'alimentation de l'adaptateur mural. Débranchez les tuyaux semi-rigides du premier pivot près de l'adaptateur mural.
3. Coupez la moitié de la longueur totale de l'excédent de chacune des sections de 3 m (10 pi) de tuyau semi-rigide (munies de quatre flotteurs) également. Les deux sections de tuyau d'alimentation doivent avoir la même longueur après la coupe.

Exemple : s'il y a 1,8 m (6 pi) d'excédent de tuyau. Coupez 0,9 m (3 pi) de chaque tuyau semi-rigide. (Moitié de 1,8 m ou 6 pi = 0,9 m ou 3 pi chacune)

Si vous coupez plus de 0,9 m (3 pi) de chaque tuyau, enlevez un (1) flotteur de chaque section.

Remarque : pour les grandes piscines nécessitant une longueur de tuyau supplémentaire, vous devez acheter un (1) kit de tuyau supplémentaire, n° de pièce 360265 (tuyau rigide simple de 3 m/10 pi), Branchez le tuyau supplémentaire au raccord mural en utilisant le pivot et les écrous de serrage fournis.

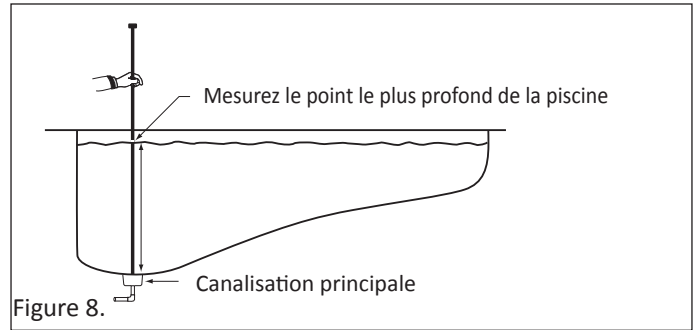


Figure 8.

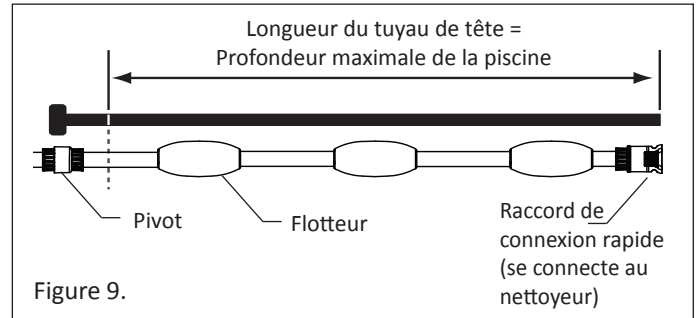


Figure 9.

Mesure du tuyau de tête

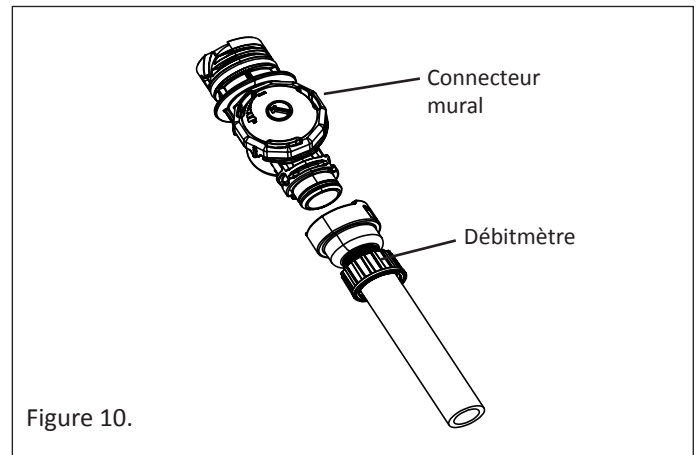


Figure 10.

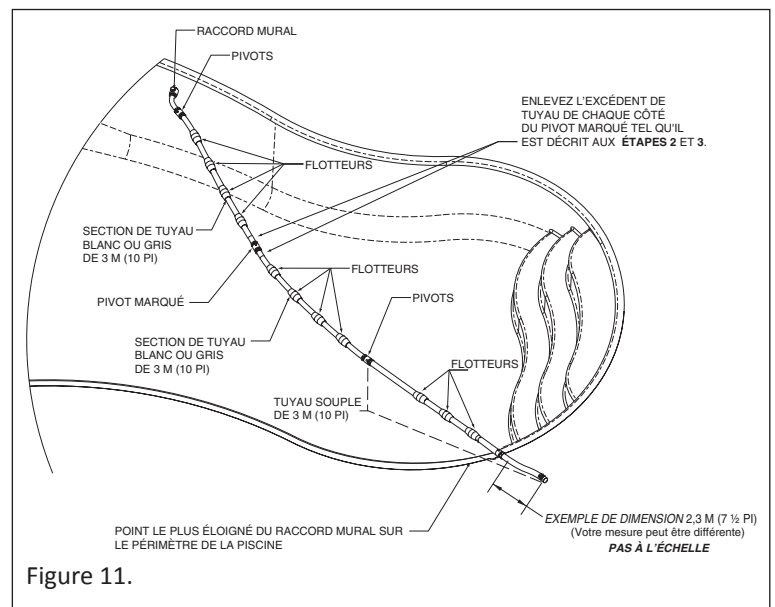


Figure 11.

Étape 3 : Connexion de tous les tuyaux

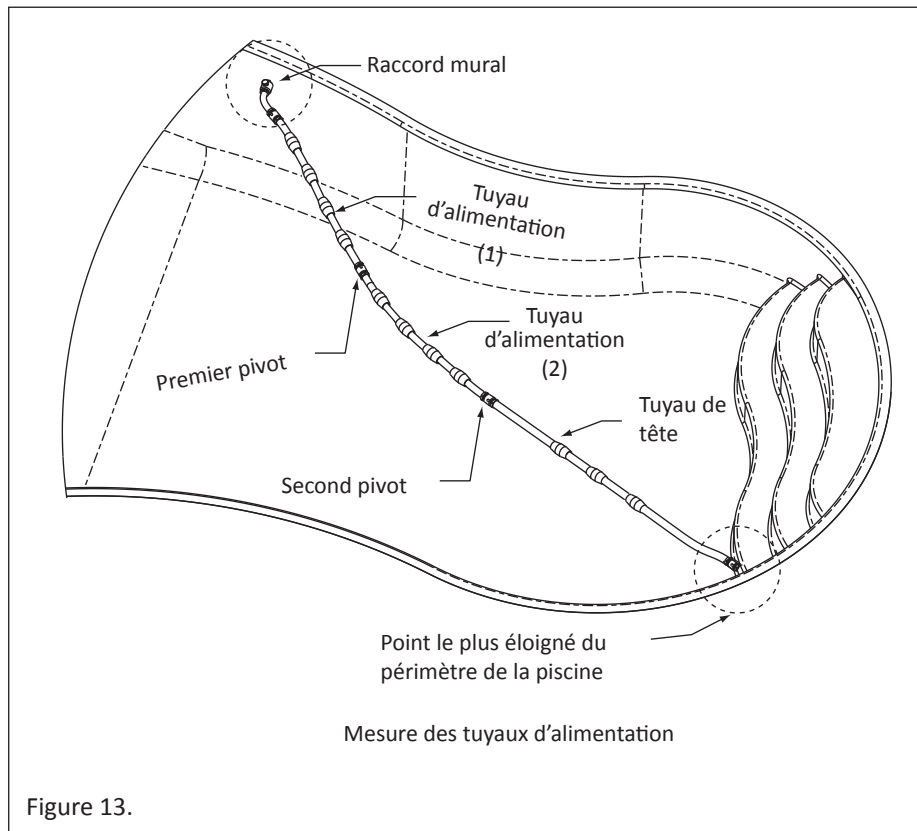
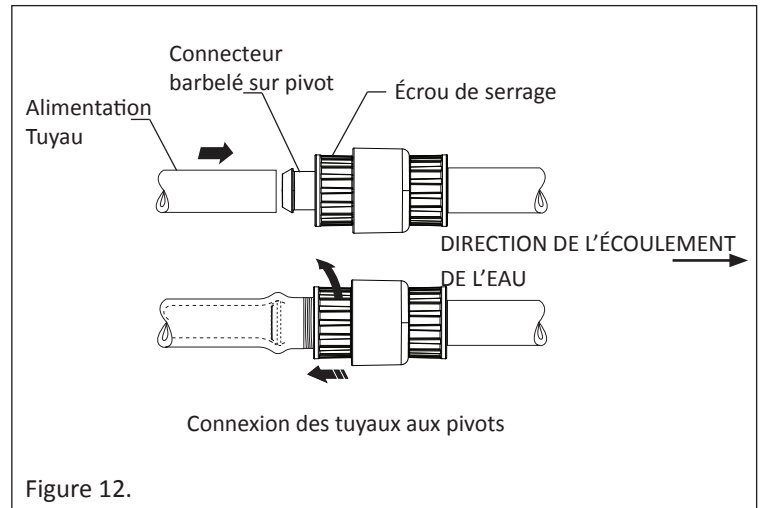
1. Après avoir coupé les sections de tuyaux à la dimension, reconnectez-les en poussant le bout du tuyau sur le raccord barbelé du premier pivot à partir du raccord mural.

Remarque : assurez-vous de pousser le tuyau à fond sur le raccord barbelé.

2. Glissez l'écrou de serrage vers le tuyau en tournant dans le sens horaire jusqu'à ce qu'il soit serré. Utilisez une pince si nécessaire.

Remarque : assurez-vous que le même nombre de flotteurs reste sur chaque section de tuyau semi-rigide selon la description à l'Étape 2.

3. Pour vérifier que le tuyau est coupé à la bonne longueur, reconnectez le tuyau et le raccord mural à l'adaptateur mural. Prenez l'autre bout de l'assemblage des tuyaux et allez au point de la piscine le plus éloigné de l'adaptateur mural. Le tuyau doit atteindre le bord de la piscine mais ne doit pas dépasser du bord de plus de 15 cm (6 po).
4. Vous pouvez maintenant rebrancher le nettoyeur au tuyau.

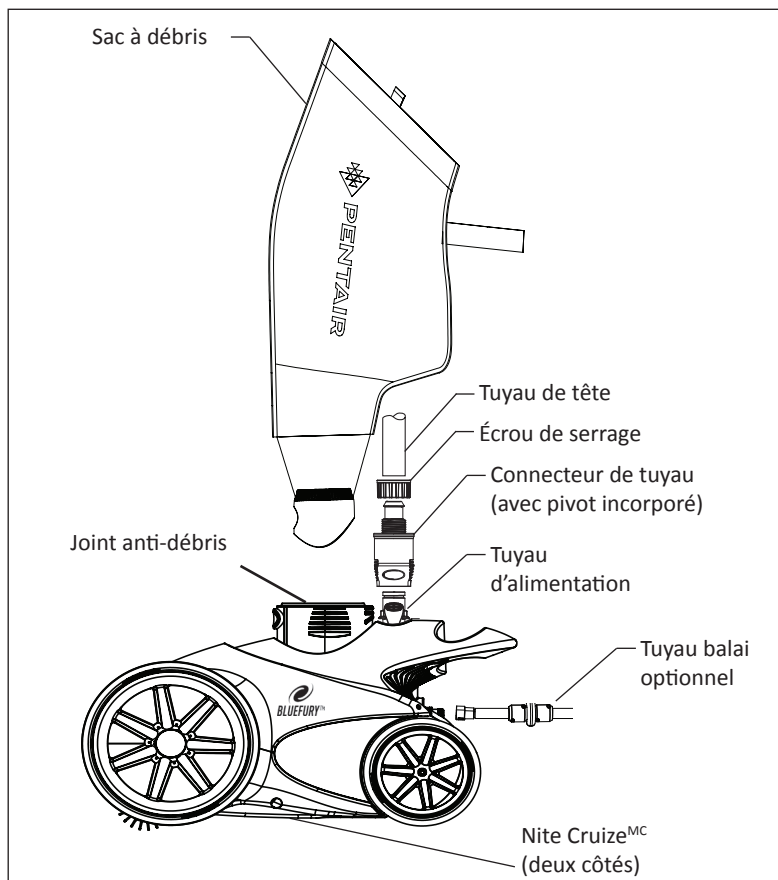


Utilisation du nettoyeur

1. Branchez l'assemblage complet du tuyau au tube d'alimentation du nettoyeur. Assurez-vous que les mousquetons sont engagés.
2. Fixez le sac à débris au nettoyeur. Poussez le sac sur le tube d'aspiration pour qu'il s'enclenche correctement.
3. Révisez la liste de vérification avant utilisation :
 - Tuyaux coupés correctement et espacés uniformément.
 - Écrous de serrage du tuyau d'alimentation serrés.
 - Raccord mural en place et serré.
 - Sac de débris et assemblage des tuyaux connectés.
 - Assurez-vous que le joint anti-débris est fixé. **Voir la Fig. 14.**

Utiliser le nettoyant

1. Immergez doucement le nettoyeur dans la piscine.
2. D'abord, mettez en marche la pompe du filtre.
3. Attendez au moins 60 secondes pour évacuer l'air du tuyau.
4. Mettez en marche la pompe d'appoint.



Assemblage du nettoyeur

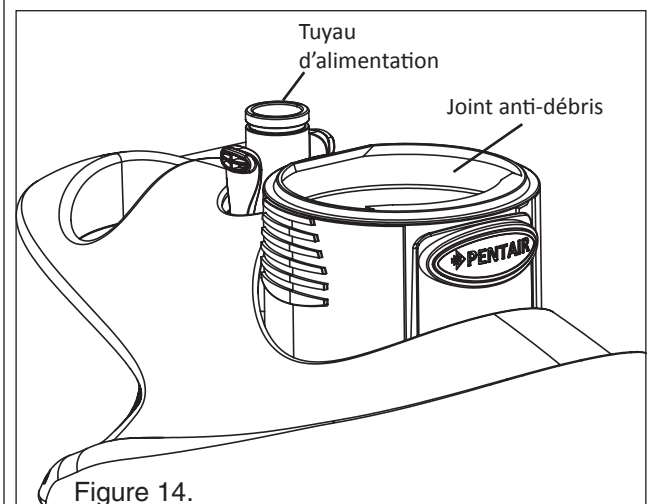


Figure 14.

RÉGLAGES ET FONCTIONNEMENT DU NETTOYEUR

Fonctionnement du nettoyeur

ATTENTION : le nettoyeur peut avoir besoin de quelques petits réglages afin d'assurer son bon fonctionnement pour éviter tout dommage au nettoyeur, au revêtement ou à la membrane de la piscine.

Lorsqu'il fonctionne correctement, le nettoyeur se déplace de manière aléatoire dans toute la piscine, tout en aspirant et en brossant le fond.

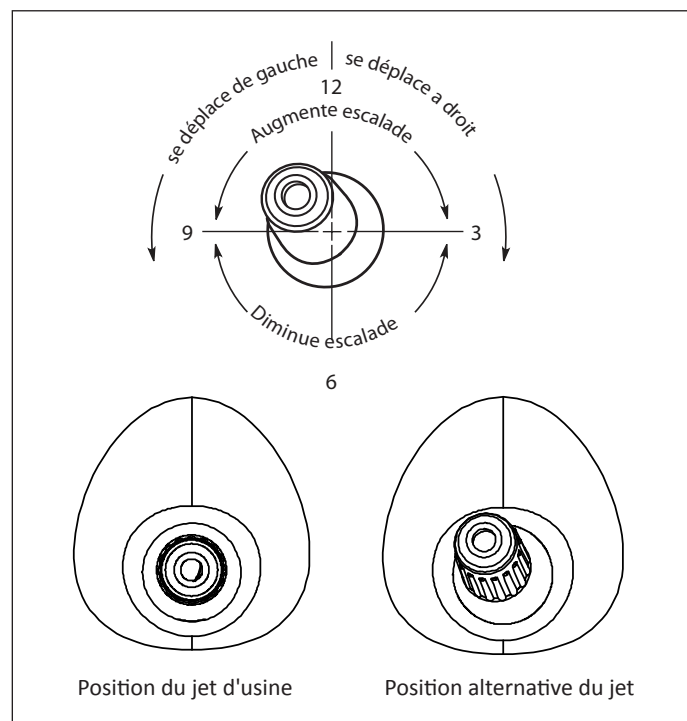
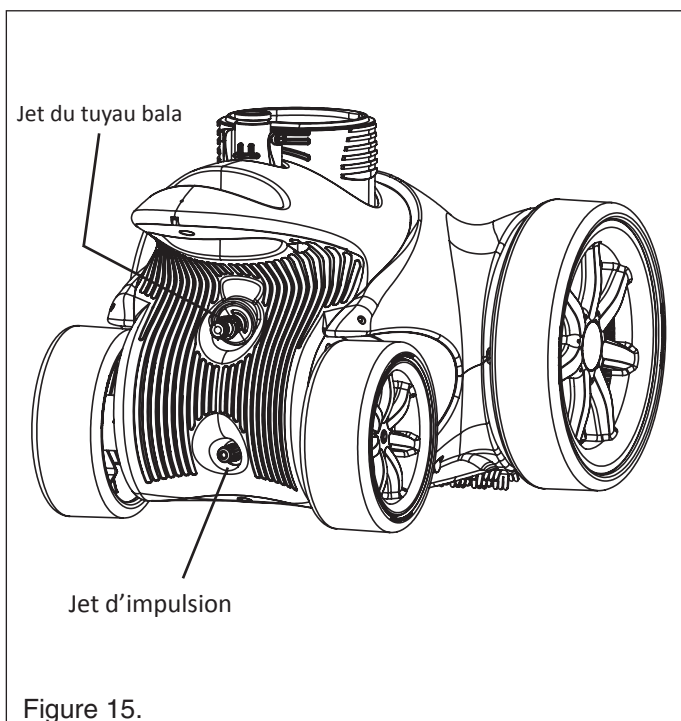
- La capacité du nettoyeur à grimper dépend de la structure de la piscine et de l'écoulement de l'eau.
- Un cycle de nettoyage d'une heure est recommandé pour les piscines (15 pi - 30 pi (4.5 m - 9 m)) résidentielles de taille moyenne.
- Sa performance sera plus efficace dans les piscines n'ayant pas une transition brutale entre le fond et les parois.
- Le nettoyeur se met en marche arrière pendant 15 secondes toutes les 2,5 minutes environ.
- Si la piscine a un niveau élevé de débris, utilisez le nettoyeur en deux cycles courts. Videz le sac à débris entre les cycles.

Réglage du jet de propulsion

Le jet de propulsion se trouve à l'arrière du nettoyeur, en-dessous du jet du tuyau balai, et il aide à actionner la direction du nettoyeur. **Voir la Fig. 15.**

Vous pourriez avoir à régler le jet de propulsion selon la forme de la piscine afin d'obtenir une couverture maximale de nettoyage.

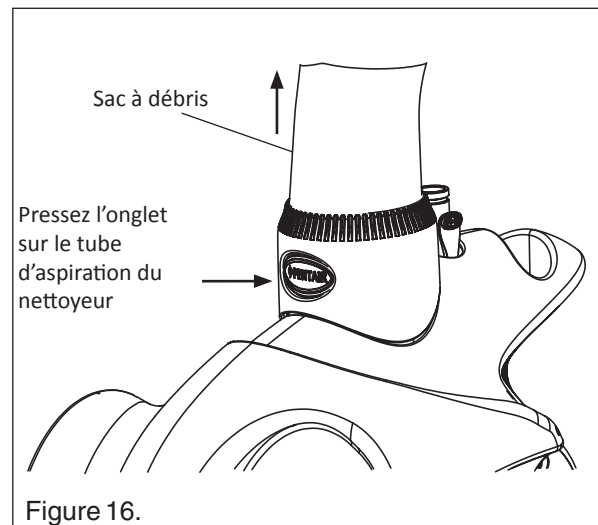
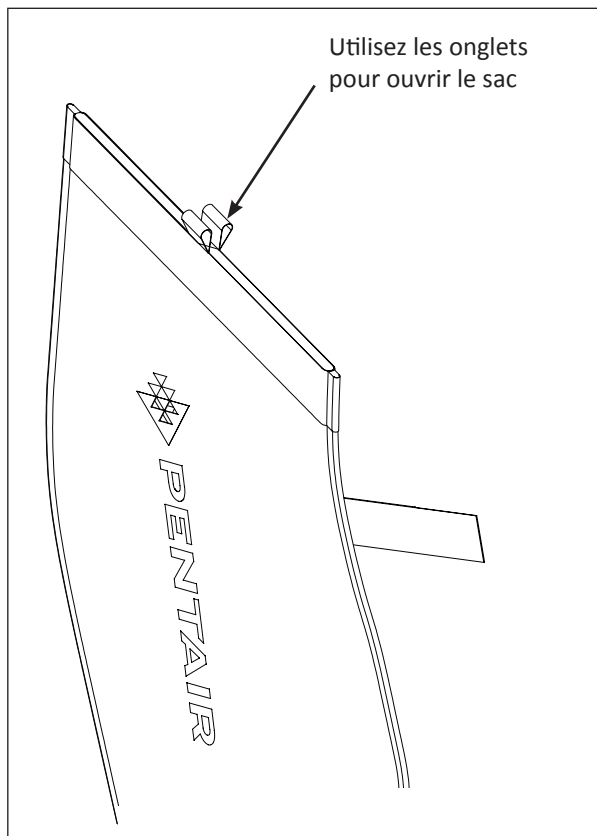
La position alternative du jet montrée ci-dessous peut aider la capacité à grimper du nettoyeur.



Nettoyage du sac à débris

1. Détachez la bretelle du sac du tuyau.
2. Pressez l'onglet sur le tube d'aspiration du nettoyeur et tirez doucement vers le haut pour enlever le sac du nettoyeur. **Voir Fig. 16.**
3. Ouvrez la fermeture du sac en écartant les onglets en tissu au haut du sac. En tenant le fond du sac, retournez-le pour vider les débris par le haut. Si nécessaire, rincez le sac avec un tuyau d'arrosage.
4. Pour fermer, pressez le crochet et formez une boucle de tissu en haut du sac, et glissez un doigt sur toute la longueur du sac de manière à le fermer complètement.
5. Assurez-vous que la valve à débris est sur le tube d'aspiration. **Voir Fig. 14.**
6. Glissez le collier du sac à débris sur le tube d'aspiration jusqu'à ce qu'il s'enclenche.
7. Rattachez la bretelle au tuyau d'alimentation.
8. Pour empêcher le sac de se plier pendant le fonctionnement, attachez la bretelle au-dessus du premier flotteur de la ligne. Glissez le flotteur vers le bas si nécessaire.

Remarque : il est plus facile de vider le sac à débris quand il est sec. Un second sac (acheté séparément) peut être utilisé pendant que le sac à débris plein est en cours de séchage.



Réglage du régulateur pour tuyau balai avec le tuyau balai optionnel installé

Le tuyau balai fonctionne en effectuant un mouvement de balayage lent pour nettoyer les débris dans les coins difficiles d'accès des piscines.

Remarque : N'adapter pas le régulateur du tuyau balai pendant le nettoyage. Cela peut endommager le nettoyeur.

Remarque : Veuillez utiliser le tuyau balai pour adapter le régulateur du tuyau balai.

1. Si vous ne voulez pas installer le tuyau balai optionnel, le nettoyeur est prêt à être utilisé. Pour brancher le tuyau balai optionnel au nettoyeur et ouvrir le régulateur pour tuyau balai, passer à l'étape 2.
2. Pour brancher le tuyau balai au nettoyeur, aligner les languettes de fixation à l'intérieur de l'embout du tuyau balai (petit embout rond au bout du tuyau balai) aux fentes de verrouillage sur le régulateur pour tuyau balai du nettoyeur. **Voir la Figure 17.**
3. Le régulateur pour tuyau balai sort de l'usine en position fermée. Pour ouvrir le régulateur pour tuyau balai, pousser l'embout du tuyau balai sur le régulateur pour tuyau balai. Une fois qu'il est inséré jusqu'au bout, tourner l'embout du tuyau balai **dans le sens des aiguilles d'une montre** jusqu'à ce qu'il ne puisse plus tourner (environ 45 degrés). **Voir la Figure 18.** Tirer sur l'embout du tuyau balai et l'embout se verrouillera en place.
4. Pour enlever le tuyau balai et fermer le régulateur pour tuyau balai, prendre l'embout du tuyau balai et le tourner **dans le sens contraire des aiguilles d'une montre** jusqu'à ce qu'il ne puisse plus tourner (environ 45 degrés). **Voir la Figure 18.** Tirer sur l'embout du tuyau balai pour le sortir du régulateur pour tuyau balai et le ranger dans un endroit sécuritaire.

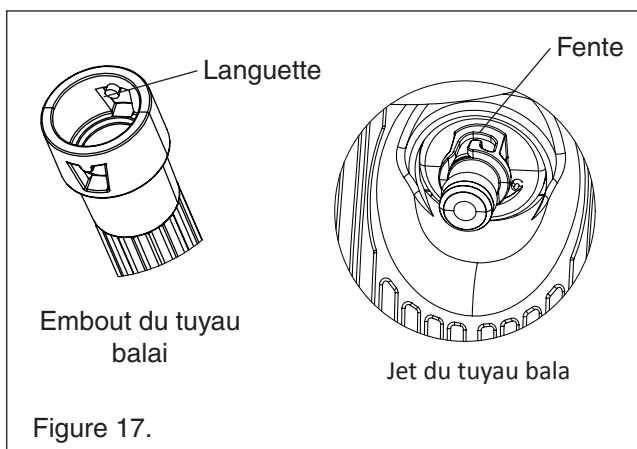
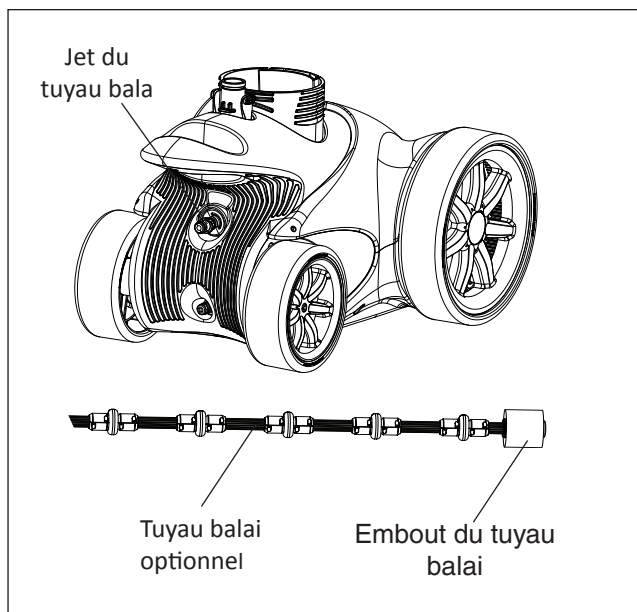


Figure 17.

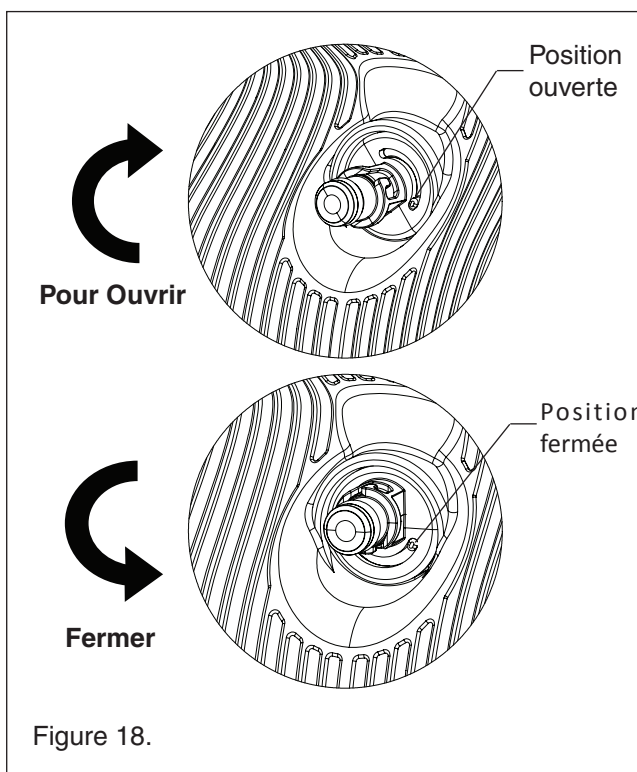


Figure 18.

Entretien

Entretien périodique

Inspectez régulièrement les composants du nettoyeur et la performance du nettoyeur pour vous assurer qu'il fonctionne comme prévu. Remplacez et/ou réparez tout composant usé ou endommagé. Le fait de ne pas suivre les instructions ou d'effectuer une installation incorrecte du nettoyeur peut causer des dommages au nettoyeur, au revêtement ou à la membrane vinyle de la piscine.

Les pièces suivantes sont sujettes à l'usure. Elles doivent être inspectées régulièrement et remplacées le cas échéant.

Grille du raccord mural

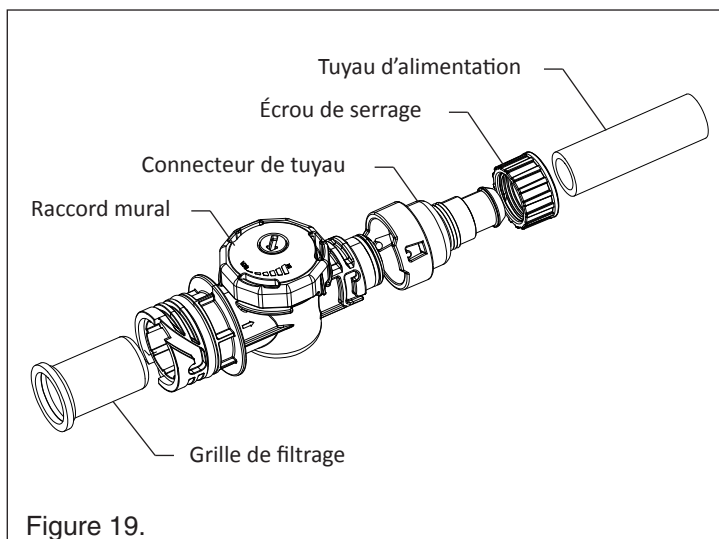
À l'intérieur du raccord mural se trouve une grille filtrante qui sert de filtre secondaire. Cette grille capture les gros débris qui pourraient avoir traversé le filtre de la piscine.

Une grille sale peut être une indication de problèmes potentiels dans le système de filtrage de votre piscine et vous pourriez avoir à contacter votre professionnel de piscines local.

Remarque : faire fonctionner le nettoyeur sans la grille de filtrage peut endommager le nettoyeur et annuler la garantie.

Pour nettoyer la grille de filtrage :

1. Arrêtez la pompe d'appoint, puis la pompe de filtrage.
2. Retirez le raccord mural de l'adaptateur mural.
3. Retirez la grille de l'intérieur de l'adaptateur mural.
4. Rincez la grille soigneusement jusqu'à ce qu'elle soit propre, puis réinsérez-la dans l'adaptateur mural.
5. À chaque nettoyage, lavage à contre-courant ou réparation du filtre de piscine, nettoyez aussi la grille de l'adaptateur mural après le premier cycle de votre nettoyeur.



Nettoyage de la grille de filtrage

Pneus

Les pneus sont conçus pour protéger le fond de votre piscine et pour assurer la traction. Les pneus s'usent et doivent être remplacés à l'occasion. Un bon palier tourne librement.

Sacs à débris

Le nettoyeur est livré avec un sac pour usage général et est utilisé pour toutes sortes de débris. Remplacez le sac quand le tissu est déchiré ou percé.

Remarque : afin de prolonger la durée de vie de votre nettoyeur, retirez-le de la piscine avant d'ajouter des produits chimiques.

Tuyau de balayage

Le tuyau balai est fourni comme accessoire en option pour aider à garder propres les zones difficiles d'accès du fond de votre piscine. Remplacez la brosse du tuyau balai si nécessaire.

Bagues de roulement du tuyau balai

Votre tuyau balai est muni d'une série de bagues de roulement pour le protéger. Remplacez les bagues si nécessaire. Assurez-vous que les bagues tournent librement.

Lavage à contre-courant du filtre de la piscine

Débranchez toujours le nettoyeur du mur de la piscine avant de nettoyer ou de laver à contre-courant le filtre de la piscine. Après le nettoyage ou le lavage à contre-courant, laissez le système de filtration et la pompe d'appoint fonctionner pendant au moins cinq minutes pour rincer les conduites de retour avant de reconnecter le nettoyeur.

Rangement et hivernage

Vous pouvez laisser l'adaptateur mural sur le mur et ranger les tuyaux enroulés, sans aucun pincement. Assurez-vous de laisser les tuyaux déroulés au soleil pendant 12 à 24 heures avant de les utiliser à nouveau. Utilisez le débitmètre pour vous assurer que le débit est suffisant pour le fonctionnement du nettoyeur.

Pièces détachées

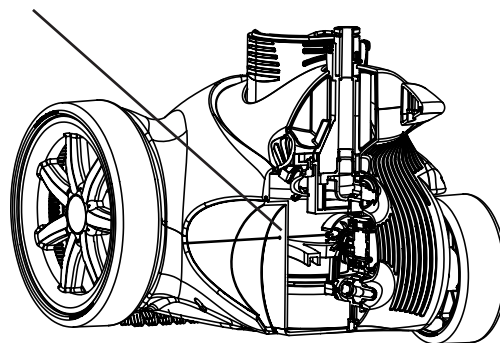
Une copie à jour des pièces détachées peuvent être consultés sur notre site Internet : www.pentairpooleurope.com

DÉPANNAGE

Utilisez l'information de dépannage suivante pour résoudre les problèmes potentiels avec le nettoyeur de parois de piscine à pression BlueFury^{MC}

Problème	Mesure corrective
Le nettoyeur ne se déplace pas ou se déplace lentement.	<p>Assurez-vous que la pompe du filtre et la pompe d'appoint sont en marche et qu'ils déplacent de l'eau. (Vous pourriez avoir à nettoyer le système de filtrage de votre piscine).</p> <p>Assurez-vous que le raccord mural est exempt de débris ; vous pourriez avoir à le retirer et le rincer.</p> <p>Vérifiez le débit avec le débitmètre (fourni). Ajustez le débit au raccord mural si nécessaire.</p> <p>Vérifiez que les connexions et les pivots de tuyaux d'alimentation ne fuient pas.</p> <p>Vérifiez si des débris sont coincés dans les dents du pignon d'une des roues de traction avant. Tournez doucement les roues avant en arrière pour déloger les débris.</p> <p>Vérifiez pour voir si les roues arrière tournent librement et sont bien en place. Remplacez les roues si nécessaire.</p>
Le nettoyeur se coince dans les marches.	<p>Assurez-vous que les roues avant (grandes) se mettent en marche arrière toutes les 2,5 minutes environ.</p>
Le nettoyeur penche d'un côté.	<p>Indique en général que le sac à débris est plein. Videz le sac à débris.</p> <p>Remarque : le nettoyeur se penche parfois d'un côté (sur deux roues) pendant qu'il tourne. Observez le nettoyeur pendant quelques minutes pour voir s'il se redresse.</p>
Le nettoyeur ne se met pas en marche arrière.	<p>Assurez-vous que les roues avant (grandes) se mettent en marche arrière toutes les 2,5 minutes environ.</p> <p>Vérifiez le débit avec le débitmètre (fourni). Voir page 2. Ajustez le débit au raccord mural si nécessaire.</p>
Le nettoyeur ne grimpe pas.	<p>Vérifiez le sac à débris. Videz le sac à débris s'il est plein.</p> <p>Vérifiez le débit avec le débitmètre (fourni). Ajustez le débit au raccord mural si nécessaire. V</p> <p>Réglez la position du jet de propulsion pour augmenter la capacité à grimper (voir page 7).</p> <p>Remarque : la capacité du nettoyeur à grimper dépend de la forme de la piscine et du débit d'eau disponible. Il grimpe mieux dans les piscines sans angles vifs ou dans la transition entre le fond et la paroi de la piscine.</p>

Problème	Mesure corrective
Tuyaux emmêlés ou enroulés.	Vérifiez la longueur du tuyau d'alimentation. S'il est trop long il peut s'emmêler ou s'enrouler. Voir page 4 pour le dimensionnement du tuyau d'alimentation. Assurez-vous que les pivots de tuyaux tournent librement. Remplacez les pivots s'ils sont serrés. Assurez-vous que le tuyau d'alimentation est exempt de pincements ou de plis. Voir page 4 pour les instructions d'installation des tuyaux.
Tuyau balai coincé dans le tube d'aspiration.	Assurez-vous que la vanne régulatrice du tuyau balai est ouverte à fond.
La pompe d'appoint est très bruyante.	Assurez-vous que la pompe du filtre et la pompe d'appoint sont en marche et qu'ils déplacent de l'eau. (Vous pourriez avoir à nettoyer le système de filtrage de votre piscine). Assurez-vous que le raccord mural est installé correctement. S'il fuit, le joint torique pourrait devoir être remplacé. Contactez votre professionnel de piscines local – problème possible avec la pompe d'appoint.
La brosse à l'avant du nettoyeur ne tourne pas.	Observez les roues avant lors du fonctionnement du nettoyeur dans la piscine. Les roues et la brosse avant doivent tourner simultanément et ne pas patiner. Remplacez les roues et l'arbre de transmission si les roues patinent. Assurez-vous que la brosse est exempte de débris emmêlés.
Les roues arrière traînent ou ne tournent pas.	Assurez-vous que le manchon des roues arrière est exempt de débris emmêlés. Remarque : vous pourriez devoir enlever la roue en la tirant depuis le manchon afin de retirer tous les débris emmêlés.
Les roues arrière tombent.	Remplacez les roues et le manchon de roues.
L'éclairage à DEL Nite Cruze ^{MC} ne s'allume pas lors du fonctionnement du nettoyeur. (Remarque : le fonctionnement de l'éclairage à DEL n'affecte pas la performance du nettoyeur).	Des débris peuvent boucher la turbine du générateur. Pour retirer les débris de la turbine du générateur : localisez le trou d'accès sous la roue arrière gauche en enlevant la roue du nettoyeur en la tirant. Utilisez un gros trombone à papiers en l'enfonçant de 5 cm (2 po) dans le trou d'accès, continuez jusqu'à sentir la pale de la turbine, jusqu'à ce que la pale tourne. Insérez un trombone dans le trou d'accès.



DÉPANNAGE (suite)

Piscines avec des revêtements en vinyle et des pentes très prononcées

Dans certaines piscines, la pente entre les parties profondes et peu profondes peut être très prononcée et le nettoyeur peut éprouver des difficultés lors de la transition. Le cas échéant, une cale pourrait être nécessaire dans chaque roue pour aider le nettoyeur lors de la transition. Les cales incluses créent une bosse sur la roue et préviennent le blocage du nettoyeur. Elles ne sont pas nécessaires pour toutes les piscines.

Remarque : Installer chaque cale horizontalement, alignée avec les autres. Si les cales ne sont pas alignées les unes avec les autres, elles pourraient créer des difficultés pour le nettoyeur au niveau de la pente. Ceci est important pour le bon fonctionnement du nettoyeur. **Voir la figure 20.**

1. Installer une cale dans chaque roue : Pour installer la cale, tirer le pneu en caoutchouc de la roue en plastique et insérer fermement la cale entre la roue et le pneu. La face lisse de la partie inférieure de la cale devrait être insérée en premier, de l'extérieur vers l'intérieur des roues du nettoyeur. **Voir la figure 21.** Vérifier que les rainures des roues en plastique et celles du dessous de la cale se glissent les unes dans les autres.
2. Pousser la cale vers le devant du nettoyeur jusqu'à ce que la cale soit bien installée derrière le rebord du pneu en caoutchouc. **Voir la figure 20.**

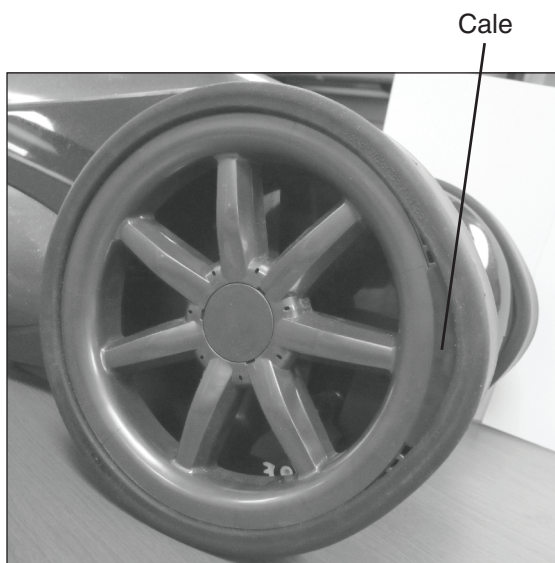


Figure 20.

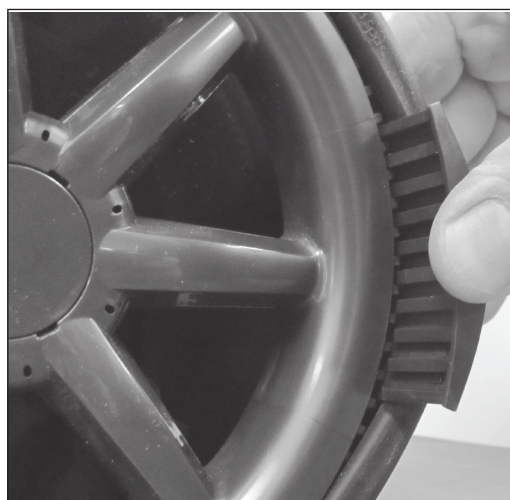


Figure 21.

Servicio al cliente

HERENTALS, BÉLGICA (8:30 A.M. to 4:30 P.M.) CET

Website : www.pentairpooleurope.com

E-mail : poolemea@pentair.com

Declaración de conformidad

Declaramos bajo nuestra exclusiva responsabilidad, que el producto identificado en esta declaración, y al que se refiere esta declaración, cumple con los requisitos esenciales de la última versión de las siguientes Directivas europeas :

- CENELEC EN 55015:2006

- CENELEC EN 61547:1995



El fabricante, Pentair, tiene derecho a modificar los productos sin previo aviso siempre que no modifique sus características.

© 2014 Pentair, Inc. Todos los derechos reservados. Este documento puede ser modificado sin previo aviso.

Todas las marcas comerciales y logotipos de Pentair son propiedad de Pentair, Inc. Pentair Aquatic Systems™ y BLUEFURY™ son marcas comerciales y/o marcas registradas de Pentair, Inc. y/o sus empresas asociadas en Estados Unidos y otros países. A menos que conste expresamente, los nombres comerciales y marcas de terceros que puedan haber sido utilizados en este documento no indican una asociación o respaldo entre los propietarios de estos nombres comerciales y marcas y Pentair, Inc. Esos nombres comerciales o marcas pueden ser marcas comerciales o marcas registradas de estos terceros. Debido a que estamos constantemente mejorando nuestros productos y servicios, Pentair se reserva el derecho de modificar las especificaciones sin previo aviso.

Pentair es un empleador que ofrece igualdad de oportunidades.

⚠ DANGER El incumplimiento de las instrucciones contenidas en este manual puede tener efectos adversos para la salud, o incluso lesiones graves o fatales. El incumplimiento de las instrucciones contenidas en este manual invalidará, en todos los casos, todas las garantías y responsabilidades legales del fabricante.

ADVERTENCIAS E INSTRUCCIONES DE SEGURIDAD IMPORTANTES



Aviso importante :

Atención persona encargada de la instalación: Esta guía contiene información importante sobre la instalación, la operación y el uso seguro de este producto. Se le debe proporcionar esta información al dueño u operador del equipo luego de la instalación del limpiafondos.

Atención usuario: Este manual contiene información importante que lo ayudará a operar y mantener este limpiafondos. Por favor, consérvelo para futuras referencias. Consulte a Pentair por cualquier consulta relacionada a este equipo.

Antes de instalar este producto, lea y siga todas las instrucciones y preste atención a las advertencias que se incluyen. No seguir las instrucciones ni prestar la debida atención a las advertencias puede ocasionar daños a la propiedad, lesiones graves y hasta la muerte. Obtener copias adicionales y gratuitas de las instrucciones a www.pentairpooleurope.com

Información y seguridad del cliente

Este limpiafondos está diseñado y fabricado para proporcionar muchos años de servicio seguro y fiable cuando se instala, opera y mantiene según la información dada en este manual. En todo el manual, las advertencias de seguridad y de precaución están identificadas con el símbolo "⚠". Asegúrese de leer y cumplir con todas las advertencias y precauciones.

⚠ WARNING No juegue con el limpiafondos o las mangueras ni las aplique al cuerpo. Puede atrapar y destrozar cabello y partes del cuerpo. Las mangueras pueden hacer que las personas se tropiecen o se enreden, lo que podría provocar ahogamiento. **Apague la bomba antes de limpiar la unidad.** No permita que personas ingresen a la piscina mientras está funcionando el limpiafondos. Para reducir los riesgos de heridas, no permita que niños usen o jueguen con el limpiafondos.

⚠ CAUTION Las piezas que se mueven pueden lastimar manos y pies. Detenga la bomba antes de intentar limpiar el cabezal del limpiafondos.

Información de instalación general

Lista de verificación previa a la instalación

Antes de instalar su limpiafondos, revise y entienda todas las advertencias e información de seguridad en esta guía. No seguir las instrucciones o instalar el limpiafondos inadecuadamente puede ocasionar daños al revestimiento de la piscina o al revestimiento de vinilo. La mayoría de los limpiadores no están diseñados para pasar del fondo a la pared cuando la moldura cóncava es del 90%. Puede que haya otras estructuras instaladas en la piscina por las que el limpiador no puede desplazarse. Tome esto en cuenta y supervise el limpiador cuando se encuentre en condiciones únicas. Pentair Aquatic Systems no será responsable por reparaciones o reemplazo de cualquiera de estas estructuras o componentes de la piscina del cliente.

Antes de instalar un limpiafondos en una piscina con revestimiento de vinilo:

Observe el revestimiento con detenimiento para detectar marcas de deterioro o daños por el tiempo de uso químicos, daños en la pared de la piscina, etc. Si se detectan daños, deje que un profesional de piscinas haga las reparaciones necesarias. Asimismo, si hay piedras, raíces u otros objetos debajo del revestimiento, retírelos antes de instalar el limpiador.

Antes de instalar el limpiafondos en una piscina de hormigón proyectado o una piscina que está parcial o completamente embaldosada:

Asegúrese de que el revestimiento esté en las condiciones adecuadas ya que las manchas, los grabados, las rajaduras o el deslaminado pueden empeorar.

Repare cualquier baldosa y ajuste cualquier junta de las luces que esté suelta.

Antes de instalar el limpiafondos, limpie su sistema de filtrado.

Asegúrese de haber limpiado el filtro, incluido el lavado a contracorriente, enjuague y vaciado de todos los canastos. Un sistema limpio es necesario para una limpieza y cobertura adecuada.

Antes de instalar el limpiafondos, entienda la cobertura del limpiador.

El limpiafondos está diseñado para quitar de su piscina los desperdicios en aproximadamente 4-6 horas. Dependiendo del tamaño de la piscina, puede tomar menos tiempo. El limpiafondos no fue diseñado para limpiar escalones automáticamente o para trabajar bajo una cubierta solar. El limpiador se puede quedar atascado en estos lugares y puede ocasionar daños al revestimiento de la piscina o al revestimiento de vinilo. Pentair Aquatic Systems no será responsable por reparaciones o reemplazo de cualquiera de estas estructuras o componentes de la piscina del cliente. Tampoco fue diseñado para hacer la limpieza inicial de una piscina nueva o la limpieza de la piscina que inicia la temporada.

Luego de instalar el limpiafondos, asegúrese de que esté funcionando correctamente:

El limpiafondos puede necesitar algunos ajustes mínimos para asegurar que su funcionamiento sea adecuado y así prevenir daños al limpiafondos, al revestimiento de la piscina o al revestimiento de vinilo. Algunos patrones de revestimiento vinílico son particularmente susceptibles al deterioro de la superficie, desgaste, frotado de la tinta, e importantes rasguños al patrón ocasionados por el contacto de objetos con la superficie de vinilo, incluidos los limpiadores automáticos. Pentair Aquatic Systems no es responsable por desgaste, cortes, abrasiones ni marcas en el revestimiento de vinilo. Inspeccione con regularidad los componentes del limpiafondos y el rendimiento de este para asegurarse de que esté funcionando como debe. Reemplazar o reparar los componentes desgastados o dañados. No seguir las instrucciones o instalar inadecuadamente el limpiafondos puede ocasionar daños en el limpiador, el revestimiento de la piscina o el revestimiento de vinilo.

Cláusulas y condiciones de la garantía limitada

Antes de instalar su limpiafondos, revise y entienda todas las advertencias e información de seguridad y garantía en esta guía. No seguir las instrucciones o instalar el limpiafondos inadecuadamente puede ocasionar daños al revestimiento de la piscina o revestimiento de vinilo, Pentair Aquatic Systems no será responsable por reparaciones o reemplazo de cualquiera de estas estructuras o componentes de la piscina del cliente.

Garantía limitada : 2 años

Más detalles : www.pentairpooleurope.com

Denegación de responsabilidad

Acerca de su piscina y el limpiafondos de presión lateral.

Existen múltiples factores que contribuyen a la longevidad de su piscina. El limpiafondos es un producto altamente pasivo que no tendrá impacto en la vida útil de su piscina.

Por favor, tenga en cuenta que con el paso del tiempo es posible que se produzca deterioro, decoloración o fragilidad de cualquier revestimiento de piscina, independientemente o en combinación con el tiempo de uso, un desequilibrio en la química del agua, una instalación inadecuada, y otros factores. Los limpiafondos de presión lateral no removerán ni desgastarán el yeso "bueno" para piscina. De hecho, es posible que ocurra lo contrario: con el tiempo el yeso de la piscina desgastará al limpiafondos.

La misma situación se da con piscinas de revestimiento vinílico que están enterradas, porque los revestimientos de vinilo también se ven afectados por el medioambiente y factores como la química del agua de la piscina, la luz solar y los alrededores de la piscina. Por lo tanto, con el paso del tiempo, el vinilo puede volverse frágil y débil. Además, las piscinas con revestimiento vinílico se ven afectadas por la hechura, composición e instalación del revestimiento y la hechura y la calidad de la construcción de las paredes de contención y la base de la piscina. Todos estos factores pueden contribuir al fracaso del revestimiento. La existencia de cualquiera de estos tipos de condiciones en su piscina no es causada por el uso o funcionamiento del limpiafondos. El fabricante no será responsable por reparaciones o reemplazo de cualquiera de estas estructuras o componentes de la piscina del cliente.

El propietario de la piscina debe asumir responsabilidad por las condiciones y el mantenimiento de la superficie de la piscina, el agua y la cubierta.

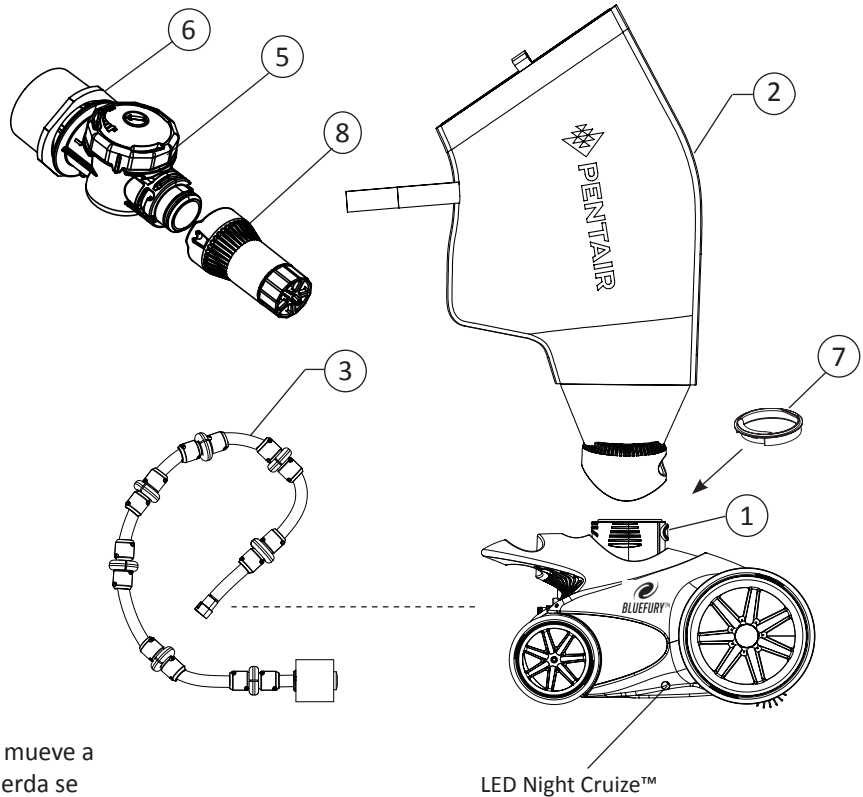
Antes de instalar el limpiafondos, por favor, tómese un momento para registrar el número de serie. El número está ubicado en la tarjeta de garantía y en la parte trasera del limpiador, cerca de los chorros traseros. Se le pedirá este número cuando se contacte con el Departamento de soporte técnico.

Nº DE SERIE _____

Componentes del limpiafondos

1. Cabezal de limpiafondos BLUEFURY™
2. Bolsa de desperdicios
3. Manguera de barrer (no es necesario en la mayoría de las piscinas)
4. Conjunto de la manguera de alimentación - no se muestra (secciones de 3-10 pies)
5. Accesorio de pared
6. Adaptador de pared
7. Sello de residuos
8. Calibrador de caudal

Nota: El sistema de limpieza se entrega con el sello de residuos instalada en el interior del cabezal de limpieza.



Información general

El limpiafondos de presión lateral BLUEFURY™ se mueve a través de una secuencia de recta, derecha e izquierda se vuelve, para ayudar a aumentar su cobertura de la piscina, pasar la aspiradora y fregar toda la piscina.

- Para una limpieza ininterrumpida, el limpiador entrará en modo de reversa cada dos minutos aproximadamente, lo que le permite limpiar toda la piscina de manera eficiente.

NOTA: Antes de instalar y hacer funcionar el limpiafondos lea cuidadosamente esta guía:

1. Siempre desconecte el limpiafondos de la pared de la piscina si la va a limpiar o hacer lavado contracorriente del filtro de la piscina.
2. Luego de limpiar o hacer lavado contracorriente del filtro, haga funcionar el sistema de filtrado durante por lo menos cinco minutos antes de volver a conectar el limpiafondos.
3. Las líneas hidráulicas nuevas deben purgarse antes de instalar el limpiafondos.
4. El limpiafondos no debe usarse para quitar restos de yeso en piscinas nuevas.
5. Siempre quite el limpiafondos antes de que entren personas en la piscina.
6. Siempre manipule el limpiafondos con cuidado.
7. Siempre tome el limpiafondos por la manija, en especial cuando saque la unidad del agua.

8. No manipule el limpiafondos cuando esté en funcionamiento.
9. Siempre saque el limpiafondos de la piscina antes de aplicar tratamientos con químicos (cloro). Como regla general, si el agua de la piscina es riesgosa para nadar, también es riesgosa para el limpiafondos.
10. Con cuidado, corte la manguera de alimentación siguiendo las instrucciones de la página 3.
11. Si sigue estas indicaciones simples, puede ayudar a evitar daños y extender la vida útil de su limpiafondos.
12. Vea "Advertencias e instrucciones de seguridad importantes" en las páginas ii - iii para información adicional acerca de instalación y seguridad.

INSTALACIÓN

Instalación de la bomba de refuerzo

Por favor, vea las instrucciones incluidas con su bomba de refuerzo para información acerca de la instalación.

Por favor siga detenidamente las instrucciones.

Instalación del accesorio de pared y el adaptador de pared

1. Quite o desconecte cualquier limpiador de piscina existente y/o accesorio de pared.
2. Encienda la bomba de filtrado y la bomba de refuerzo para purgar la línea hidráulica.
3. Apague la bomba del filtro y la bomba de refuerzo.
4. Inserte el adaptador de accesorio de pared en el conducto de retorno enroscado 1-1/2" NPT. Apriete manualmente hasta que esté ajustado. Véase figura 3.
5. Alinee el accesorio de pared con la clavija de cierre rápido dentro del adaptador de pared. Empuje el accesorio de la pared en el adaptador hasta que toque el fondo de la pared. Gire $\frac{1}{4}$ en el sentido horario para bloquear el accesorio de pared. **Tire suavemente hacia afuera para un mejor ajuste y así engazar las clavijas de cierre rápido.** Véase la figura 3.

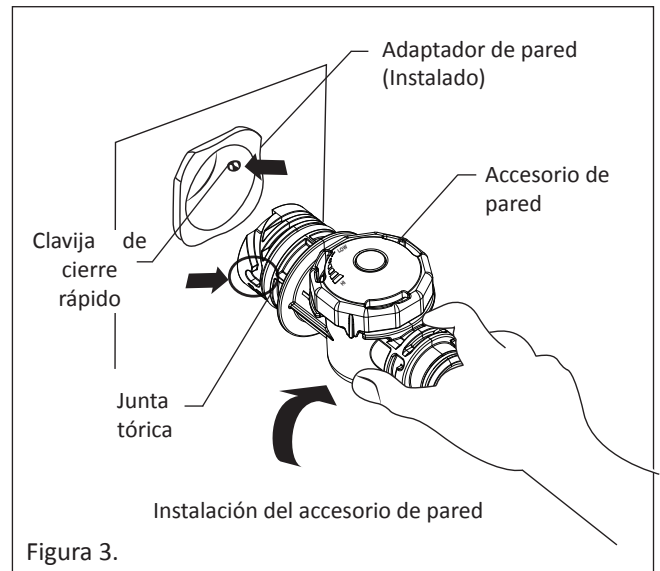


Figura 3.

Configuración del caudal de agua para el limpiador

IMPORTANTE! Antes de comenzar con el procedimiento asegúrese de apagar la bomba del filtro y la bomba de refuerzo.

1. Fije el calibrador de caudal al accesorio de pared al alinear las dos lengüetas en el calibrador de caudal con las ranuras en el accesorio de la pared. Véase figura 4. Empuje y gire el calibrador de caudal en sentido horario hasta que pare, luego tírelo ligeramente fuera de la pared. Asegúrese de que el calibrador de caudal esté bloqueado en su lugar girándolo en sentido antihorario mientras que tira ligeramente el calibrador de caudal. Véase figura 5.

Nota: El calibrador de caudal no girará cuando esté bloqueado en su lugar.

2. Encienda la bomba del filtro y luego la bomba de refuerzo.
3. Compruebe que el émbolo blanco (dentro del medidor de flujo) esté alineado dentro las caja de calibrador de caudal. Véase figura 6.
4. Ajuste la válvula en el accesorio de pared utilizando un destornillador plano al girar la válvula en sentido horario (para reducir el caudal) o en sentido contrario (para incrementar el caudal) de manera tal que el émbolo blanco se alinee con las flechas de las marcas del calibrador de caudal. Véase figura 7.
5. Apague la bomba de refuerzo y luego la bomba del filtro.
6. Quite el calibrador de caudal del accesorio de pared al empujar y girar en sentido antihorario y tirar el calibrador hacia fuera.
7. Conecte la manguera a la conexión de la pared. Gire en sentido horario, luego empuje un cuarto y gire para asegurar en su lugar (como se describe en el paso nº 2).

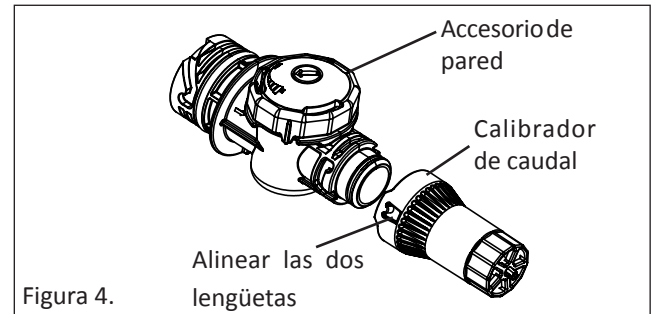


Figura 4.

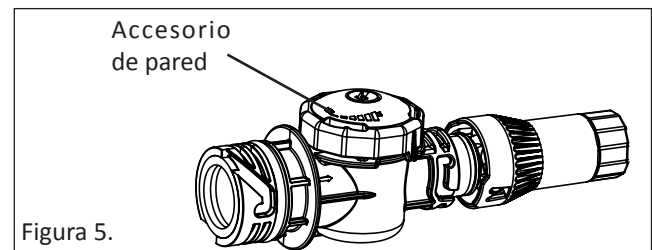


Figura 5.

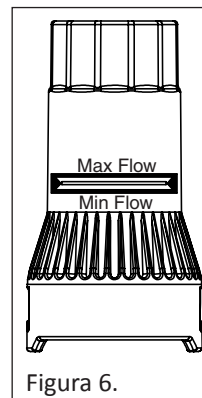


Figura 6.

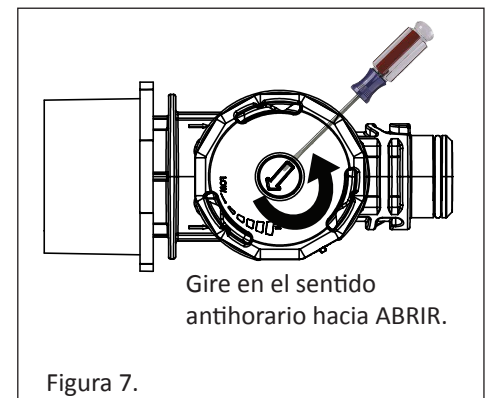


Figura 7.

Cómo calcular la velocidad/RPM del limpiafondos

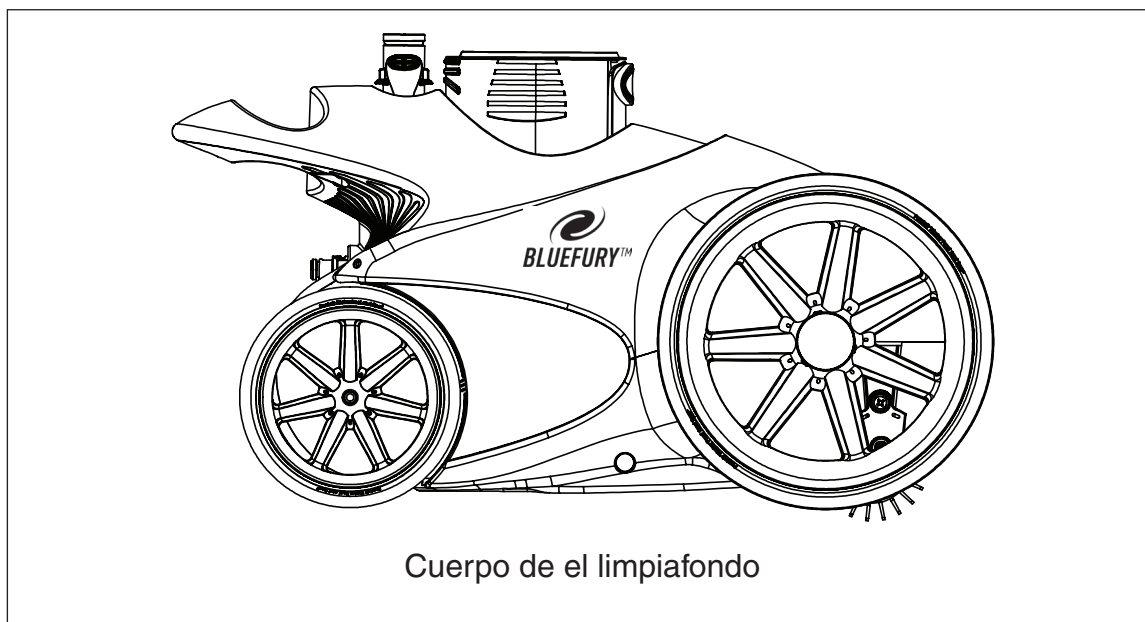
1. Para determinar si el limpiafondos está recibiendo la presión de agua adecuada, apague la bomba del agua y saque cuidadosamente el limpiafondos de la piscina.
2. Con un marcador de tinta, haga una línea negra. atravesando la rueda delantera
3. Pídale a alguien que vuelva a encender la bomba del agua y el compresor mientras pone el limpiafondos justo debajo de la superficie del agua de la piscina.

Nota: Asegúrese de sostener la manguera de barrer (si está instalada) para evitar que se moje, ya que el flujo del agua regresará al regulador de la manguera de barrer cuando se vuelva a encender la bomba.

4. **Nota:** Antes de empezar, asegúrese de que la válvula de seguridad no esté funcionando.
Cuenta el número de rotaciones completas que haga la marca de la rueda en más o menos un minuto. El número de rotaciones es la velocidad de operación (revoluciones por minuto – RPM) de la limpiafondos.
5. Para obtener el mejor rendimiento, el limpiafondos debe funcionar entre 31 y 33 RPM con la manguera de barrer instalada y entre 33 y 36 RPM sin la manguera.

Si el limpiafondos funciona a menos de 31 RPM con la manguera de barrer instalada o de 33 RPM sin la manguera, llame a su profesional de piscinas local.

Si el limpiafondos funciona a 33 RPM o más con la manguera de barrer instalada, o a 36 RPM sin la manguera, en el punto de conexión a la pared, ajuste la válvula como se describe en “Cómo ajustar el flujo del agua al limpiafondos”, hasta que las RPM disminuyan al rango descrito anteriormente.



Cuerpo de el limpiafondo

Ajustar el conjunto de la manguera para fijar a la piscina

El conjunto de la manguera consiste en tres (3) de 10 pies. secciones: un (1) tubo de plomo gris suave luz marcado como la sección uno y dos (2) más rígido feed gris oscuro mangueras de marca como la sección dos y tres.

Importante para el rendimiento del limpiador:

mida, corte y arme las secciones de las mangueras tal como se describe en el paso nº 1 y 2. Utilice una tijera fuerte o un cuchillo afilado para cortar las mangueras. Asegúrese de deslizar los flotadores para otro lado al cortar las mangueras. Corte las puntas de las mangueras lo más recto posible.

Paso nº 1: Dimensionado de la manguera sección primera

1. Mida la parte más profunda de la piscina. Consulte la Figura 8.

Nota: La rejilla o el desagüe abombado principal es por lo general la parte más profunda. Si la profundidad es de más de 10 pies, no corte la manguera y vaya al paso nº 2.

2. Si la profundidad de la piscina es menor a 10 pies, desconecte la manguera de plomo gris claro suave sección primera etiqueta con eslabón giratorio. Corte la manguera de conducción de manera tal que la longitud sea igual a la parte más profunda de la piscina. Véase Figura 9.

Ejemplo: Si la piscina tiene una profundidad de 8½ pies, corte 1½ pies de la manguera una sección denominada (ya que la manguera es de 10 pies).

3. Desechar los restos de manguera. Vuelva a conectar la manguera de conducción recién cortada al eslabón giratorio de la manguera de alimentación. Las tres secciones de la manguera deben estar conectadas.

Paso nº 2: Dimensionado de las mangueras dos and tres

1. Fije el conjunto de la manguera al accesorio de pared. Véase la figura 10. Luego fije el accesorio de pared (con la manguera) al adaptador de pared. Véase la Figura 10. Tome el extremo opuesta del conjunto de la manguera y camine hasta el punto más lejano de la piscina desde el adaptador de pared. Para evitar el exceso de estiramiento de la manguera, la manguera descansar en la parte superior del agua de la piscina. Mida la longitud de la manguera que sobra (manguera que se extiende más allá del borde de la piscina). Esto determina cuánto habrá que cortar de secciones dos y tres.
2. Desconecte el conjunto de la manguera de alimentación del adaptador de pared. Desconecte secciones dos y tres del primer eslabón más cerca al accesorio de pared.
3. Cortar la mitad del exceso de longitud total de la manguera de cada manguera de dos secciones y tres etiquetados (armadas con cuatro flotadores) de igual manera. Las dos secciones de la manguera de alimentación deben ser de la misma longitud después de haber cortado.

Ejemplo: Si hay 6 pies de manguera restante. Corte 3 pies de la segunda sección y desactivar la sección tres. (la mitad de 6 pies = 3 pies cada una).

Si se corta más de 3 pies de cada punta de la manguera, saque un (1) flotador de cada sección de manguera.

Nota: Para grandes piscinas que necesiten mangueras más largas, tendrá que comprar un (1) kit de manguera adicional P/N 360265 (10 pies de una única manguera). Fije la manguera sobrante al accesorio de pared utilizando el eslabón giratorio proporcionado y las tuercas de red.

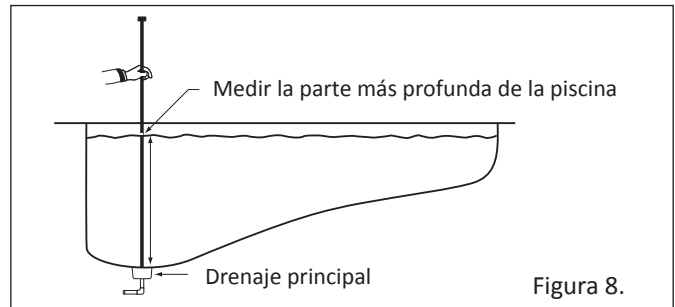


Figura 8.

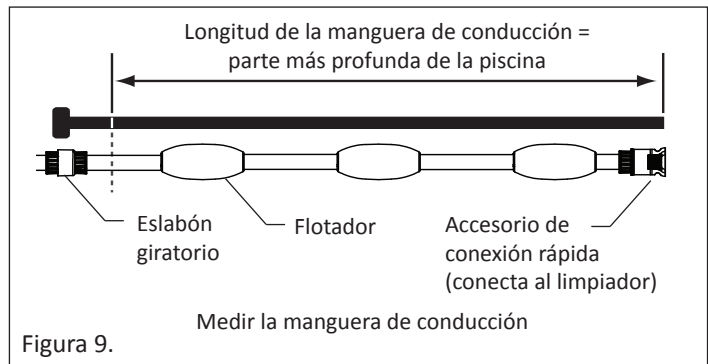


Figura 9.

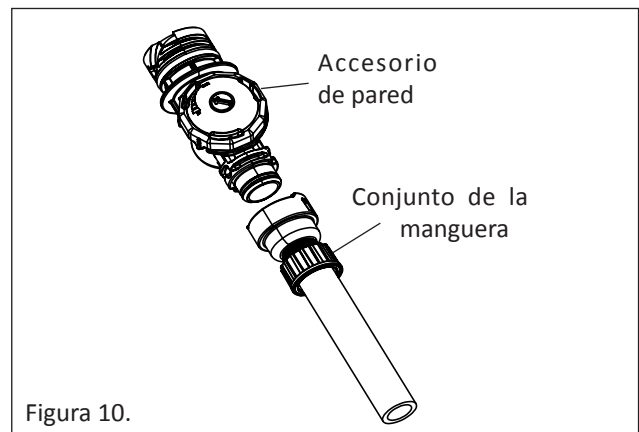


Figura 10.

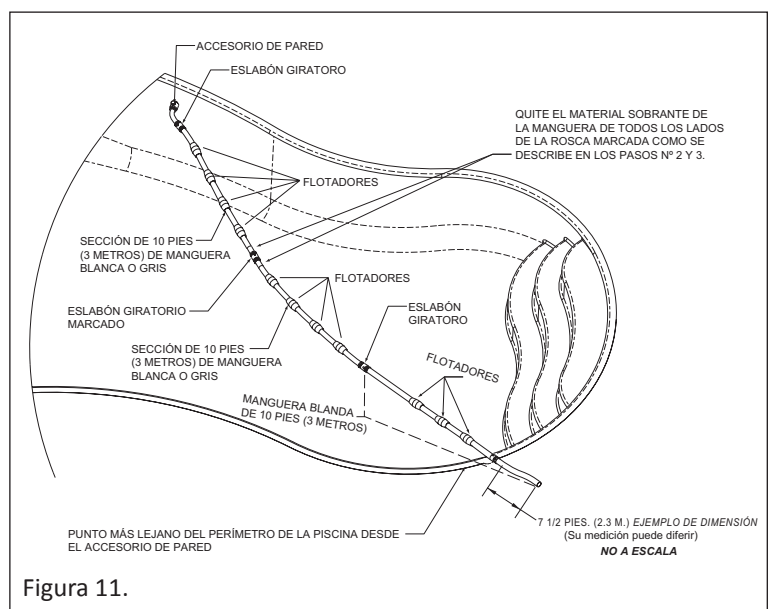


Figura 11.

Paso nº 3: Conectar todas las secciones de manguera

1. Luego de haber cortado las secciones de las mangueras a medida, vuelva a conectarlas al empujar el extremo de la manguera sobre las lengüetas del eslabón giratorio.

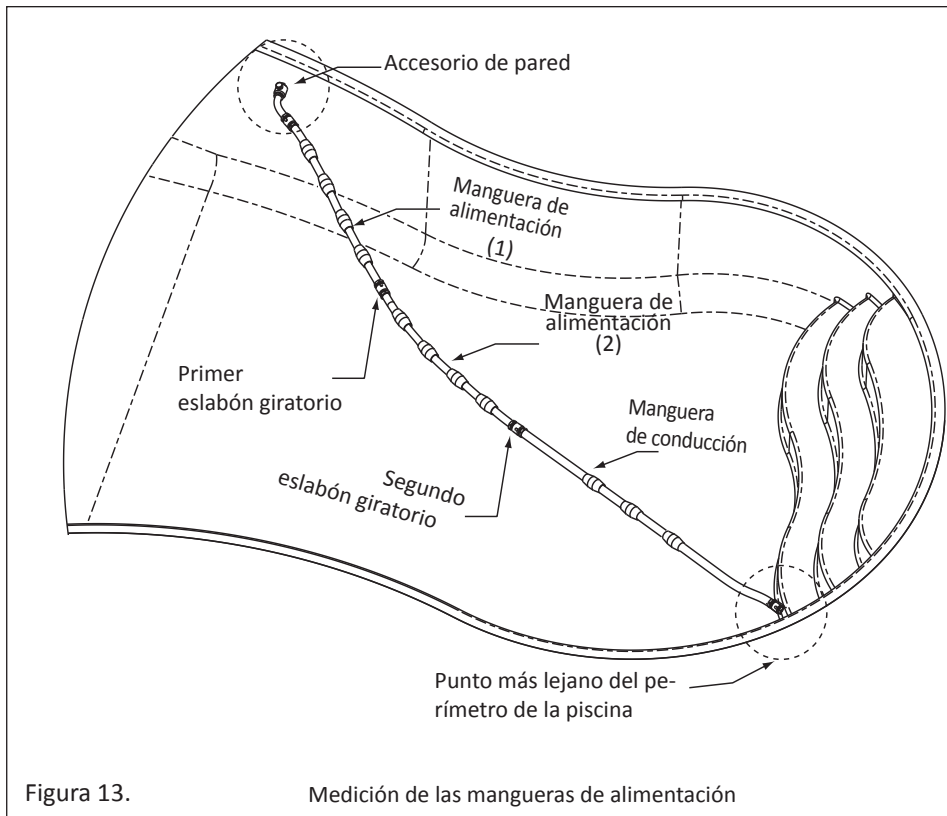
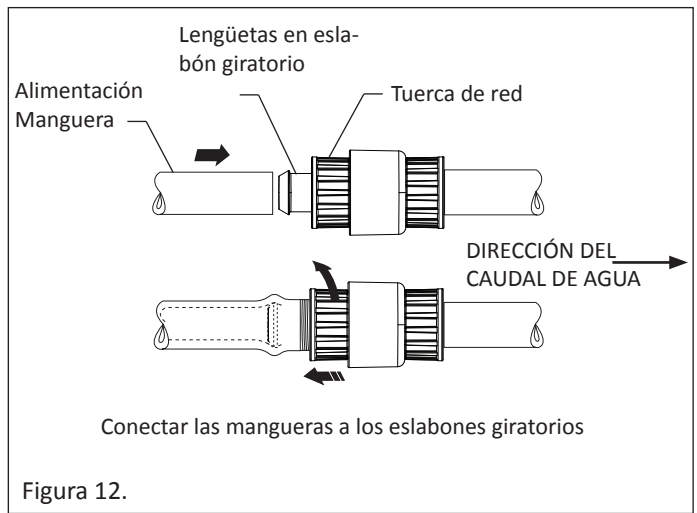
Nota: Asegúrese de empujar las mangueras hasta el final de las lengüetas.

2. Mueva la tuerca de red hacia la manguera girando en sentido horario y rote hasta que quede ajustada a la manguera. Utilice pinzas si fuera necesario.

Nota: Asegúrese de que el número de carrozas permanecen en el tramo de manguera de dos y tres, como se describe en el paso 2.

3. Para verificar que la manguera está cortada a la medida correcta, vuelva a conectar la manguera y el accesorio de pared al adaptador de pared. Tome el opuesto extremo del conjunto de la manguera y camine hasta el punto más lejano desde el adaptador de pared. La manguera debe alcanzar el borde de la piscina pero no debe extenderse más de 6 pulgadas desde el borde.

4. Ahora puede conectar el limpiafondos a la manguera.

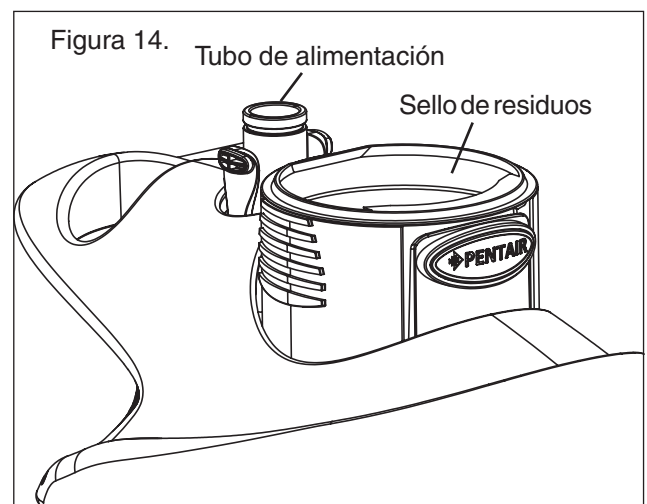
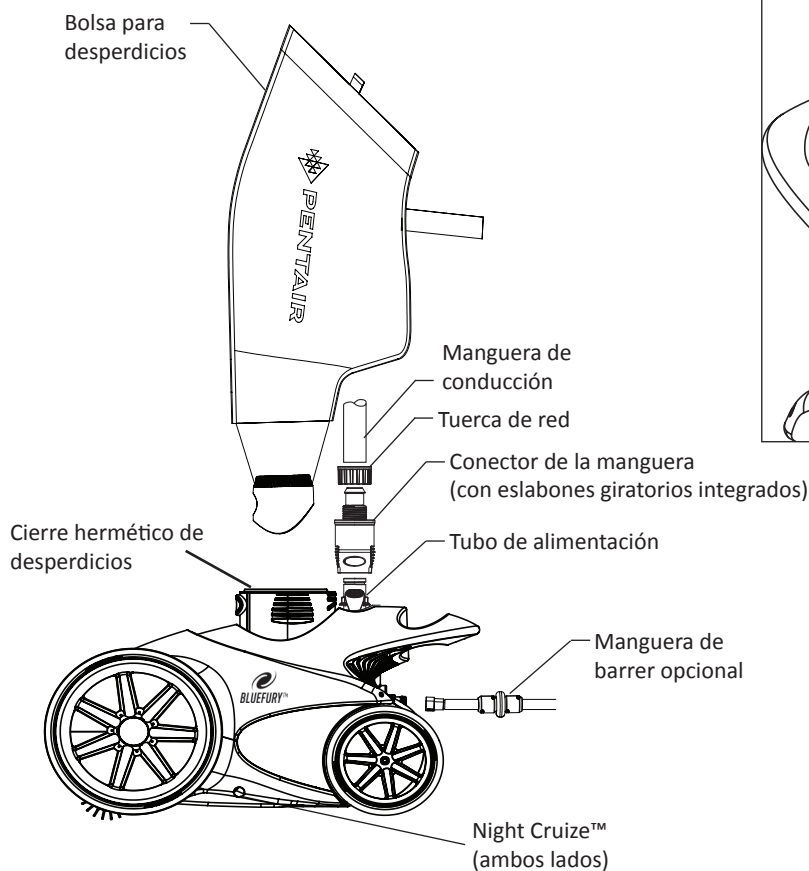


El montaje del limpiador

1. Fije Quick Connect conexión en el extremo de la manguera al tubo de alimentación en el limpiafondos. Asegúrese de que los broches estén agarrados.
2. Fije la bolsa de desperdicios al limpiafondos. Empuje la bolsa sobre el tubo al vacío para ponerlo en su lugar.
3. Revise la lista de verificación antes de usar:
 - Las mangueras están bien cortadas y espaciadas uniformemente.
 - Las tuercas de red están ajustadas a la manguera de alimentación.
 - El accesorio de pared está seguro y en su lugar.
 - La bolsa de desperdicios y el conjunto de la manguera fueron fijados.
 - Asegúrese de que los desechos sello se adjunta. Véase la figura 14.

Usando el limpiador

1. Baje el limpiafondos cuidadosamente a la piscina.
2. Encienda la bomba del filtro.
3. Espere por lo menos 60 segundos para quitar el aire de la manguera, luego encienda la bomba de refuerzo.
4. Encienda la bomba de refuerzo.



Armado del limpiafondos

AJUSTES DEL LIMPIAFONDOS Y FUNCIONAMIENTO

Funcionamiento del limpiafondos

Nota: El limpiafondos puede necesitar algunos ajustes mínimos para asegurar que su funcionamiento sea adecuado para obtener el mejor rendimiento posible.

Cuando funciona correctamente, el limpiafondos se desplaza en un patrón aleatorio por la piscina, aspirando y fregando la piscina.

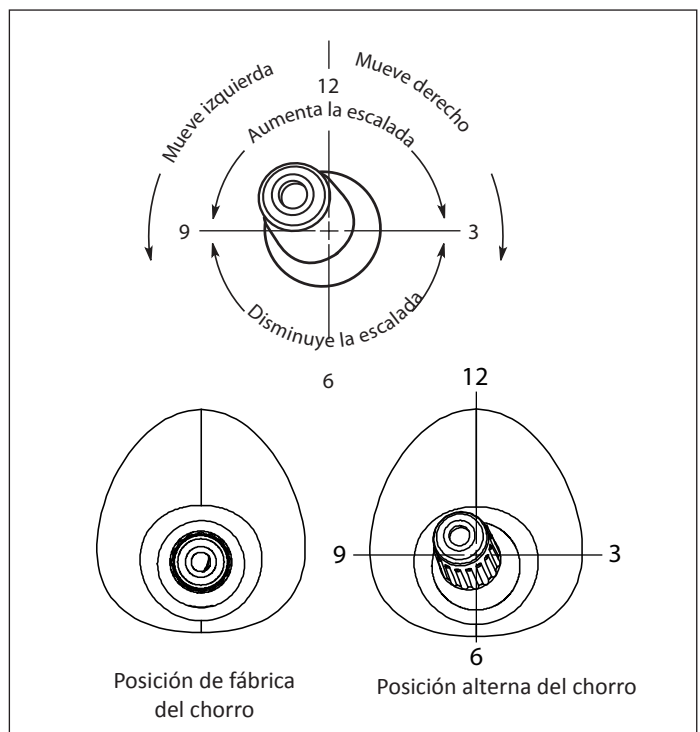
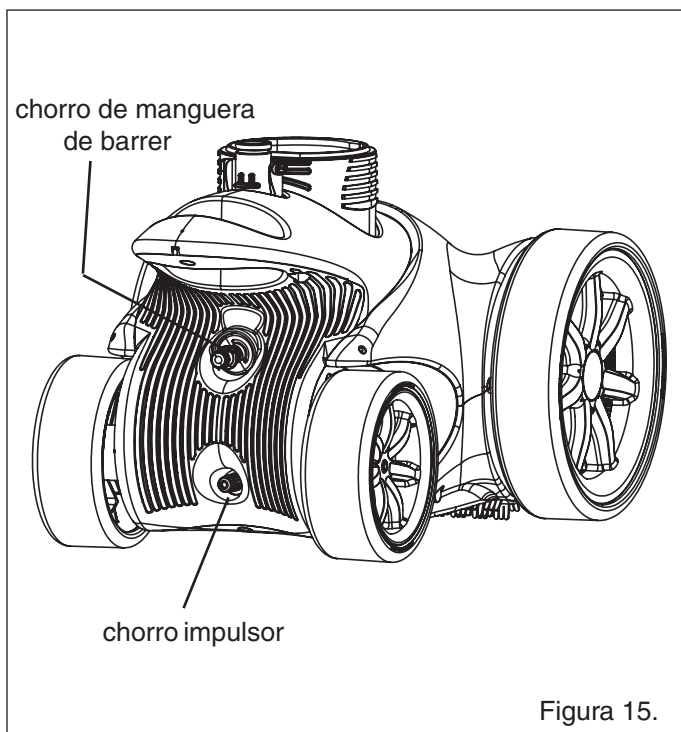
- La capacidad de ascender del limpiador depende de la estructura de la piscina y del caudal de agua.
- Un ciclo de limpieza de una hora es lo recomendable para el tamaño promedio de las piscinas residenciales (15 'x 30').
- Tendrá mejor rendimiento en piscinas que no tengan transiciones bruscas entre el fondo de la piscina y las paredes.
- El limpiador se pone en modalidad de reversa aproximadamente cada 2-1/2 minutos por durante aproximadamente 15 segundos.
- Si la piscina tiene muchos desperdicios, haga funcionar el limpiafondos en dos ciclos cortos. Vacíe la bolsa de desperdicios entre los ciclos.

Ajuste del chorro de empuje

El chorro de empuje está en la parte trasera del limpiador, debajo del chorro de la manguera de barrer, y ayuda a potenciar la dirección del limpiador. Véase figura 15.

Puede que tenga que ajustar el chorro de empuje según el tamaño de la piscina, de manera tal que se obtenga la mayor cobertura del limpiador.

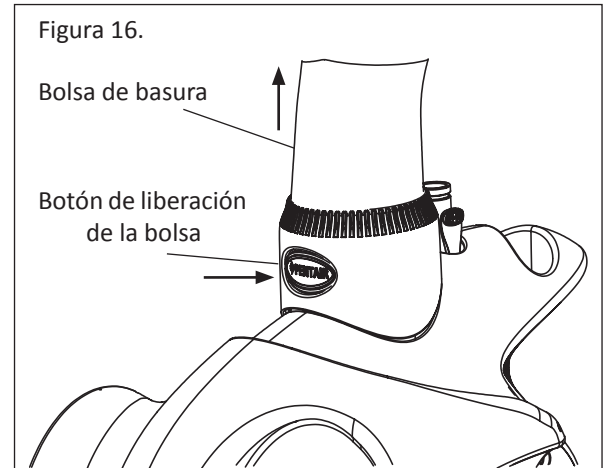
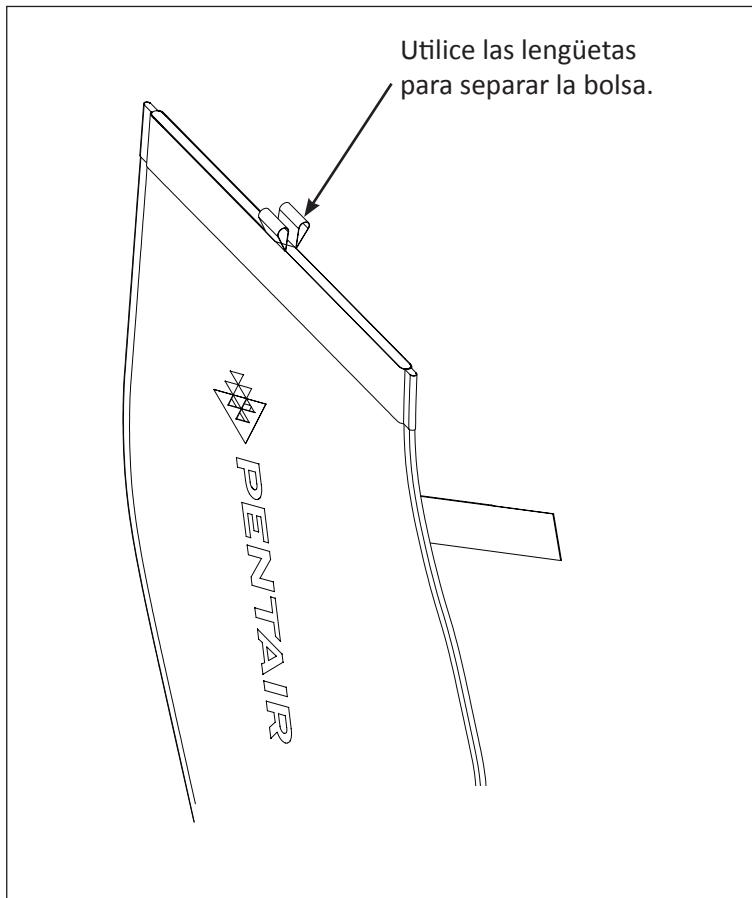
La posición alterna del chorro que se muestra debajo puede fomentar la capacidad de ascender del limpiador.



Limpieza de la bolsa de desperdicios

1. Quite el broche de la bolsa de la manguera.
2. Presione la lengüeta del tubo al vacío del limpiador y con cuidado tire hacia arriba para quitar la bolsa del limpiador. Véase figura 16.
3. Abra el cierre de la bolsa al tirar las lengüetas de la tela en la parte de arriba. Sosteniendo el fondo de la bolsa, dé vuelta para vaciar los desperdicios por la parte de arriba. Si fuera necesario, enjuague la bolsa con la manguera.
4. Para cerrar, presione el velcro en la parte superior de la bolsa y recorra con el dedo el largo de la bolsa para que quede cerrada completamente.
5. Asegúrese de que el sello de desperdicios esté en el tubo al vacío. Véase figura 14.
6. Deslice la boca de la bolsa de desperdicios sobre el tubo al vacío hasta que quede en su lugar.
7. Vuelva a fijar el broche en la manguera de alimentación.
8. Para evitar que la bolsa se doble durante la operación, fije el broche sobre el flotador de la primera línea de alimentación. Deslice el flotador si es necesario.

Nota: Es más fácil vaciar la bolsa de desperdicios cuando está seca. Se puede utilizar una segunda bolsa (comprada por separado) mientras la bolsa de desperdicios se seca.



Cómo ajustar el regulador de la manguera de barrer con la manguera de barrer opcional instalada

La manguera de barrer funciona con un movimiento de barrer suave para limpiar los desperdicios de las partes más difíciles de alcanzar, como las esquinas de la piscina.

Nota: 1. No ajuste el regulador de la manguera mientras el limpiafondos esté funcionando. Esto puede dañar el limpiafondos.

2. La manguera de barrer debe ser utilizada para ajustar el regulador de la manguera de barrer.

1. Si prefiere no instalar la manguera de barrer opcional, el limpiafondos quedará listo para funcionar. Para poner la manguera de barrer opcional en el limpiafondos y abrir el regulador de la manguera de barrer, proceda al Paso 2.
2. Para poner la manguera de barrer opcional en el limpiafondos, alinee las pestañas aseguradoras que están dentro del empalme (un accesorio pequeño y redondo que se encuentra en el extremo de la manguera de barrer) con las ranuras correspondientes en el regulador de la manguera de barrer del limpiafondos. Véase la figura 17.
3. El regulador de la manguera de barrer viene de fábrica en la posición de cerrado. Para abrir el regulador de la manguera de barrer, empuje el accesorio de la manguera en el regulador. Cuando no sea posible seguir empujando, gire el empalme de la manguera de barrer **en el sentido de las manijas del reloj** hasta que se detenga (más o menos, a 45 grados). Véase la figura 18. Empuje el empalme de la manguera de barrer, y este quedará en su lugar.
4. Para quitar la manguera de barrer y apagar el regulador, sostenga el empalme de la manguera y gírelo **en contra de las manijas del reloj** hasta que se detenga (más o menos, a 45 grados). Véase la figura 18. Quite el empalme de la manguera de barrer del regulador y guárdelo en un lugar seguro.

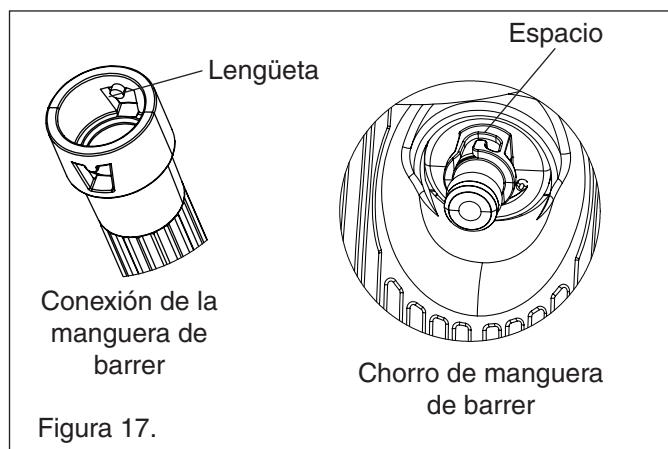
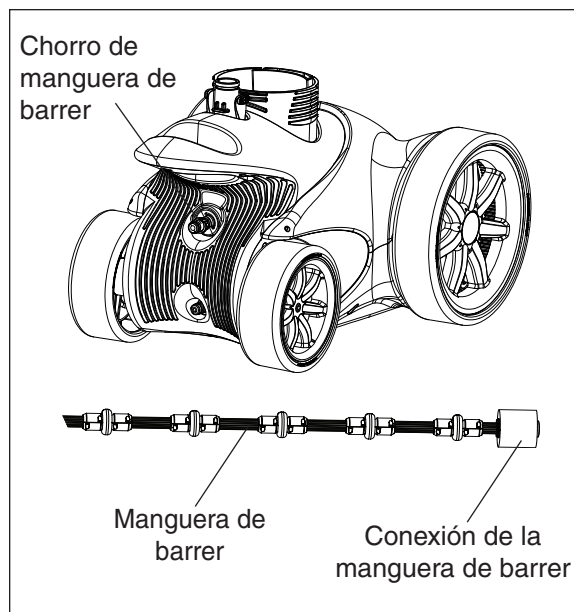


Figura 17.

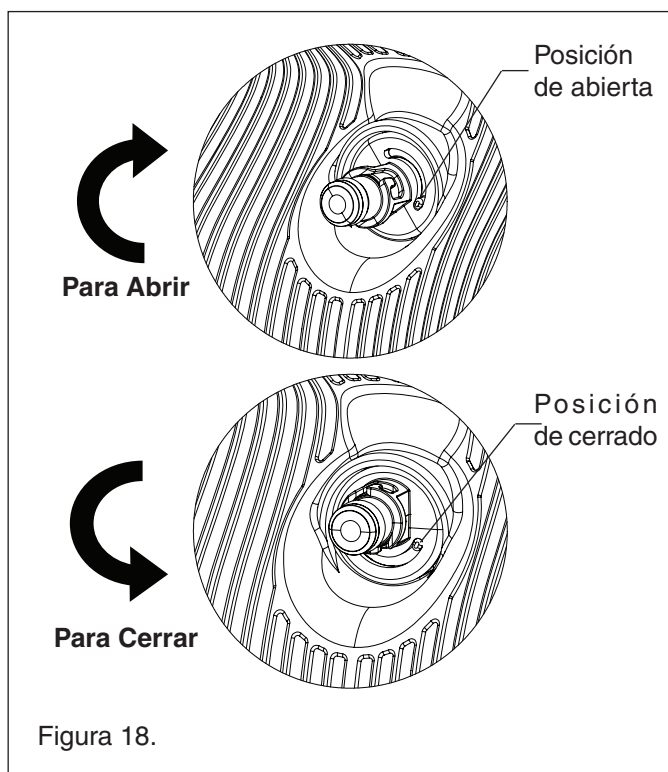


Figura 18.

MANTENIMIENTO

Mantenimiento periódico

Inspeccione con regularidad los componentes del limpiafondos. Reemplazar y/o reparar los componentes desgastados o dañados. No seguir las instrucciones o instalar inadecuadamente el limpiafondos puede ocasionar daños en el limpiador, el revestimiento de la piscina o el revestimiento de vinilo.

Las siguientes piezas son partes desgastadas que deben ser inspeccionadas periódicamente y reemplazadas cuando se necesite.

Malla del accesorio de pared

Dentro del accesorio de pared hay una filtro de malla de acero inoxidable que actúa como filtro secundario. Esta malla captura los desperdicios que pueden haber pasado por el filtro de la piscina.

Una malla sucia puede ser un indicador de problemas potenciales en el sistema de filtros de su piscina y puede que necesite contactar a su profesional de piscinas local.

Nota: Utilizar el limpiador sin la malla filtro puede dañar al limpiador y de esta manera anular la garantía.

Para limpiar la malla filtro:

1. Apague la bomba de refuerzo y luego la bomba de filtrado.
2. Quite el accesorio de pared del adaptador de pared.
3. Tire la malla desde adentro del accesorio de pared.
4. Enjuague completamente hasta que esté limpia y vuelva a insertarla en el accesorio de pared.
5. Al limpiar, hacer un lavado contracorriente o reparar el filtro de la piscina, limpie además el accesorio de pared luego del primer ciclo del limpiafondos.

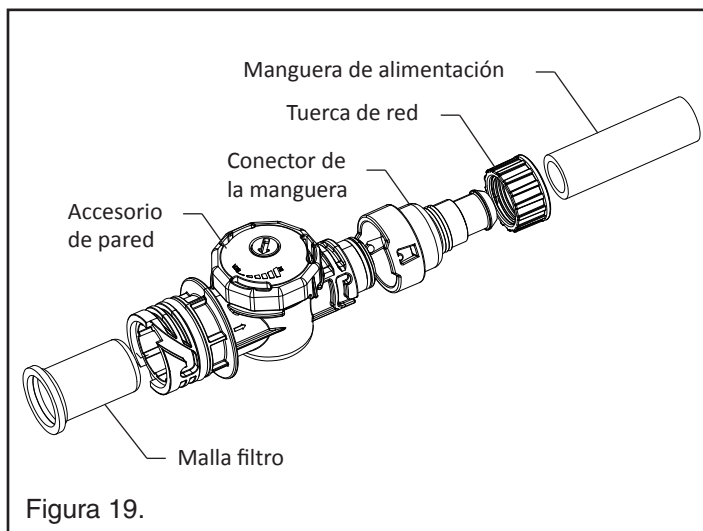


Figura 19.

Limpieza de la malla filtro

Llantas

Las llantas están diseñadas para proteger el fondo de la piscina y proporcionar tracción. Las llantas se desgastan y deberán ser reemplazadas ocasionalmente.

Bolsas de desperdicios

El limpiador viene con una bolsa de propósito general y se utiliza para todos los tipos de desperdicios. Reemplace la bolsa cuando la tela se rompa o se agujeree.

Nota: Para extender la vida útil del limpiafondos, sacarlo de la piscina antes de verter químicos.

Manguera de barrer

La manguera de barrer se proporciona como accesorio opcional para ayudar a mantener limpias las esquinas que son difíciles de alcanzar. Reemplace el depurador de la manguera de barrer si fuera necesario si utilizan.

Juntas rotativas de la manguera de barrer

Su manguera de barrer tiene una serie de juntas rotativas para protegerla. Reemplace las juntas si fuera necesario. Asegúrese de que las juntas rotativas puedan rotar libremente.

Lavado contracorriente del filtro de la piscina

Siempre desconecte el limpiafondos de la pared de la piscina antes de limpiar o hacer lavado contracorriente del filtro de la piscina. Luego de limpiar o hacer lavado contracorriente, deje que el sistema de filtrado de la piscina y la bomba de refuerzo funcionen por al menos cinco minutos para purgar el conducto de retorno antes de volver a conectar el limpiador.

Guardado y preparación para el invierno

Puede dejar el adaptador de pared en la pared y guardar las angueras rectos, sin áreas pellizcadas. Si usted enrolla la manguera, asegúrese de dejar la manguera estirada al sol de 12 a 24 horas antes de volver a usarla. Utilice el calibrador de caudal para asegurarse de que el caudal sea suficiente para hacer funcionar el limpiador.

Piezas de recambio

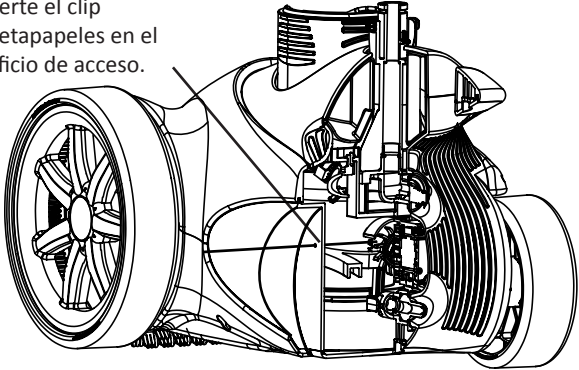
Una copia actualizada de las piezas de recambio se puede encontrar en nuestro sitio web : www.pentairpooleurope.com

RESOLUCIÓN DE PROBLEMAS

Utilice la siguiente información de solución de problemas para resolver potenciales problemas con el limpiafondos de presión lateral BLUEFURY™

Problema	Acción correctiva
El limpiafondos no se mueve o se mueve lentamente.	<p>Asegúrese de que la bomba del filtro y la bomba de refuerzo están encendidas y moviendo agua. (Puede que necesite limpiar el sistema de filtrado de su piscina.)</p> <p>Asegúrese de que el filtro del accesorio de pared no tiene desperdicios; puede que necesite quitarlos y enjuagar.</p> <p>Verifique que haya un caudal apropiado utilizando el Calibrador de caudal (provisto). Ajuste el caudal en el accesorio de pared si fuera necesario.</p> <p>Verifique todas las mangueras de alimentación y los eslabones giratorios por si hay pérdidas.</p> <p>Verifique que no haya desperdicios atascados en los dientes del engranaje en ninguna de las ruedas delanteras. Con cuidado rote las ruedas delanteras hacia atrás para remover los desperdicios.</p> <p>Verifique si las ruedas traseras giran libremente y en su lugar. Reemplace las ruedas si fuera necesario.</p>
El limpiador queda colgando en los escalones.	Asegúrese de que las ruedas delanteras (grandes) retrocedan aproximadamente cada 2-1/2 minutos.
El limpiafondos se inclina hacia un lado.	<p>Por lo general indica que la bolsa de desperdicios está llena. Vacíe la bolsa de desperdicios.</p> <p>Nota: El limpiafondos a veces se inclinará hacia un lado (en dos ruedas) durante una vuelta del ciclo. Observe el limpiador por algunos minutos para ver si se vuelve a posicionar derecho.</p>
El limpiafondos no retrocede.	<p>Asegúrese de que las ruedas delanteras (grandes) retrocedan aproximadamente cada 2-1/2 minutos.</p> <p>Verifique que haya un caudal apropiado utilizando el Calibrador de caudal (provisto). Ajuste el caudal en el accesorio de pared si fuera necesario.</p>
El limpiafondos no asciende.	<p>Verifique la bolsa de desperdicios. Si está llena, vacíe la bolsa de desperdicios.</p> <p>Verifique que haya un caudal apropiado utilizando el Calibrador de caudal (provisto). Ajuste el caudal en el accesorio de pared si fuera necesario.</p> <p>Reposicione el chorro de empuje para incrementar el ascenso.</p> <p>Nota: La capacidad de ascender del limpiador depende de la forma de la piscina y el caudal de agua disponible. Ascenderá más fácilmente en piscinas sin ángulos rectos o en la transición del fondo de la piscina a la pared.</p>
Mangueras enredadas o en bucle.	<p>Verifique la longitud de la manguera de alimentación. Si es muy larga es posible que la manguera se enrede o se forme un bucle.</p> <p>Asegúrese de que la manguera de alimentación flote en la superficie de la piscina. Los flotadores de la manguera deben estar a una distancia de dos pies. Vea la página 4 para el posicionamiento de los flotadores de la manguera.</p> <p>Asegúrese de que los eslabones giratorios de la manguera giren libremente. Reemplace los eslabones giratorios si están apretados.</p> <p>Asegúrese de que la manguera de alimentación no esté enroscada ni doblada.</p>
La manguera de barrer se atascó en el tubo al vacío.	Asegúrese de que la válvula reguladora de la manguera de barrer esté totalmente abierta.

RESOLUCIÓN DE PROBLEMAS (Continuación)

Problema	Acción correctiva
Bomba de refuerzo muy ruidosa	<p>Asegúrese de que la bomba del filtro y la bomba de refuerzo están encendidas y moviendo agua. (Puede que necesite limpiar el sistema de filtrado de su piscina.)</p> <p>Asegúrese de que el accesorio de pared esté correctamente instalado. Si hay pérdidas, puede que haya que reemplazar la junta tórica.</p> <p>Contacte a su profesional de piscinas local, puede que haya un problema con la bomba de refuerzo.</p>
El cepillo frontal del limpiador no gira.	<p>Observe las ruedas delanteras mientras el limpiafondos está funcionando en la piscina. Las ruedas y el cepillo frontal deben rotar simultáneamente.</p> <p>Asegúrese de que el depurador no tenga desperdicios atascados.</p>
Las ruedas traseras se arrastran/no giran.	<p>Asegúrese de que la protección de la rueda esté libre de desperdicios atascados.</p> <p>Nota: Puede que necesite remover la rueda tirando directamente desde la protección para quitar cualquier desperdicio atascado.</p>
Las ruedas traseras se salen.	<p>Reemplace la rueda y la protección de la rueda.</p>
Los LED Night Cruize™ no se iluminan durante el funcionamiento del limpiafondos. (Nota: El funcionamiento de los LED no afecta el rendimiento del limpiafondos.)	<p>Los desperdicios pueden estar obstruyendo la turbina del generador. Para limpiar los desperdicios de la turbina del generador: Localice el orificio de acceso debajo de la rueda trasera izquierda al quitar la rueda tirando directamente del limpiador. Utilice un clip sujetapapeles largo e insértelo aproximadamente 2 pulgadas hacia adentro del orificio de acceso y continúe hasta que se sienta la paleta de la turbina del generador y mueva el clip sujetapapeles hasta que la paleta rote. Rote la paleta varias veces con el clip sujetapapeles para quitar los desperdicios.</p> <div style="text-align: center;"> <p>Inserte el clip sujetapapeles en el orificio de acceso.</p>  </div>

RESOLUCIÓN DE PROBLEMAS (Continuación)

Piscinas revestidas con vinilo y con ángulos de transición agudos

En algunas piscinas con secciones profundas, el ángulo de transición de la parte profunda a la poco profunda puede causar que el limpiafondos tenga dificultad en hacer la transición en ese ángulo. En este caso, puede que tenga que insertar una cuña en cada uno de los bordes de las ruedas, para que el limpiafondos pueda hacer la transición. Las cuñas proporcionadas crean un desnivel en la llanta y ayudan a que el limpiafondos no se obstruya. No son necesarias para todas las piscinas.

Nota: Instale cada cuña horizontalmente y alineadas entre sí. Si las cuñas no se alinean entre sí pueden causar que el limpiafondos tenga dificultades con el ángulo de transición. Esto es importante para el buen funcionamiento del limpiafondos. Véase la figura 20.

1. Instale una cuña en cada uno de los bordes de las llantas: Para instalar la cuña, empuje las gomas de las ruedas plásticas y presione el inserto firmemente en el borde entre la goma y la rueda. La parte lisa del extremo inferior de la cuña debe insertarse primero, desde afuera hacia adentro de las ruedas del limpiafondos. Véase la figura 21. Asegúrese de que las ranuras en las ruedas y las de la parte de abajo de la cuña se aseguren entre sí.
2. Presione la cuña hacia el frente del cuerpo del limpiafondos hasta que se asiente detrás del borde de la goma. Véase la figura 20.

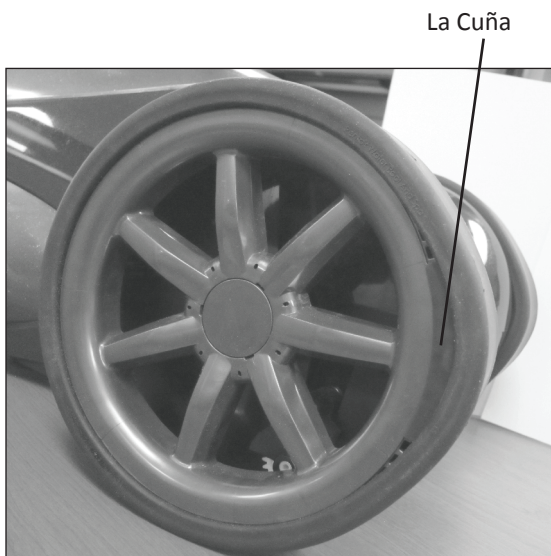


Figura 20.



Figura 21.

Assistenza clienti

HERENTALS, BELGIO (8:30 A.M. to 4:30 P.M.) CET

Website : www.pentairpooleurope.com

E-mail : poolemea@pentair.com

Dichiarazione de conformità

Dichiariamo, sotto la nostra responsabilità, che il prodotto identificato in questa dichiarazione, e a cui questa dichiarazione se riferisce, è conforme ai requisiti essenziali dell'ultima versione delle seguenti direttive europee :

- CENELEC EN 55015:2006

- CENELEC EN 61547:1995



Il produttore, Pentair, ha il diritto di modificare i prodotti senza preavviso, nella misura in cui tali modifiche non alterino le caratteristiche essenziali degli stessi.

© 2014 Pentair, Inc. Tutti i diritti riservati. Il presente documento è soggetto a modifica senza preavviso.

Tutti i marchi e i loghi Pentair sono di proprietà di Pentair, Inc. Pentair Aquatic Systems™ e BLUEFURY™ sono marchi e/o marchi registrati di Pentair, Inc. e/o delle sue affiliate negli Stati Uniti e/o in altri paesi. Salvo esplicita indicazione, i nomi e i marchi di terzi eventualmente contenuti nel presente documento non sono utilizzati per indicare un'affiliazione o supporto fra i proprietari di tali nomi e marchi e Pentair, Inc. Tali nomi e marchi possono essere marchi o marchi registrati dei terzi citati. In virtù della politica di miglioramento costante dei propri prodotti e servizi, Pentair si riserva il diritto di modificare i dati tecnici senza preavviso.

Pentair promuove le pari opportunità nell'impiego.



Il mancato rispetto delle istruzioni del presente manuale può comportare conseguenze gravi per la salute o ferimenti seri o addirittura mortali. Il mancato rispetto delle istruzioni del presente manuale in qualsiasi caso rende nulle tutte le garanzie e responsabilità da parte del produttore.

AVVERTENZA IMPORTANTE E ISTRUZIONI DI SICUREZZA




Avvertenza importante:

Avvertenza per l'installatore: Questa guida contiene informazioni importanti per l'installazione, il funzionamento e l'uso sicuro del prodotto. Tali informazioni devono pertanto essere consegnate al proprietario e/o all'utente di questa apparecchiatura dopo l'installazione del pulitore per piscine.

Avvertenza per l'utente: Questo manuale contiene informazioni importanti relative al funzionamento e alla manutenzione del pulitore per piscine. Va conservato per futura consultazione. Rivolgersi a Pentair per eventuali domande sull'apparecchiatura.

Prima di installare il prodotto, leggere attentamente e rispettare tutte le avvertenze e le istruzioni contenute nel presente documento. La mancata osservanza delle istruzioni e delle avvertenze sulla sicurezza potrebbe provocare danni alle cose, lesioni personali o morte. Per ulteriori copie gratuite delle presenti istruzioni -> www.pentairpooleurope.com

Informazioni per il consumatore e sicurezza

Il pulitore per piscine è progettato e realizzato per garantire diversi anni di funzionamento sicuro e affidabile, purché installato, utilizzato e sottoposto a manutenzione in base alle informazioni contenute nel presente manuale. In tutto il manuale, avvisi di sicurezza e avvertenze sono identificati dal simbolo "  ". Accertarsi di leggere tutte le avvertenze e gli avvisi e comportarsi di conseguenza.



Evitare di giocare con il pulitore o il tubo o di avvicinarli a parti del corpo. Capelli o parti del corpo potrebbero restare intrappolati e lacerarsi. Il tubo potrebbe ostacolare o intrappolare persone intente a nuotare, con conseguente annegamento. Arrestare la pompa prima di tentare di pulire l'unità. Non consentire l'uso della piscina durante il funzionamento del pulitore. Per ridurre il rischio di lesioni, impedire ai bambini di utilizzare il pulitore o giocarci.



Le parti mobili possono causare lesioni a mani o dita. Arrestare la pompa prima di tentare di pulire la testa del pulitore per piscine.

Istruzioni generali per l'installazione

Elenco di controllo pre-installazione

Prima di installare il pulitore, leggere e comprendere tutte le avvertenze e le informazioni di sicurezza di questa guida. La mancata osservanza di queste istruzioni o un'installazione non corretta del pulitore possono portare a danni alle finiture o al rivestimento vinilico della piscina. La maggior parte dei pulitori non è concepita per passare dal fondo alla parete quando lo zoccolo della piscina è al 90%. Possono esservi altre strutture installate nella piscina che il pulitore non è in grado di superare; è necessario ESSERNE CONSAPEVOLI e supervisionare il pulitore in presenza di condizioni particolari. Pentair Aquatic Systems declina qualsivoglia responsabilità per riparazioni o sostituzioni di alcuna di queste strutture o componenti della piscina del cliente.

Prima di installare il pulitore in una piscina con rivestimento vinilico:

Verificare scrupolosamente l'eventuale presenza di segni di deterioramento o danni causati da età, sostanze chimiche, pareti della piscina rovinate, ecc. sul rivestimento. Se si individuano dei danni, interpellare un professionista qualificato per tutte le necessarie riparazioni. Inoltre, se vi sono sassi, radici, ecc. sotto il rivestimento, rimuoverli prima di installare il pulitore.

Prima di installare il pulitore in una piscina in gunita o parzialmente o totalmente piastrellata:

Assicurarsi che la finitura della piscina sia in condizioni adeguate, dal momento che macchie, erosione, crepe o de laminazione possono peggiorare. Riparare le piastrelle che si muovono e stringere eventuali elementi di fissaggio delle luci allentati.

Prima di installare il pulitore, pulire il sistema di filtraggio:

Assicurarsi di aver pulito il filtro, con controlavaggio, risciacquo e svuotamento di tutti i cestelli. Per il corretto funzionamento e raggio d'azione del pulitore è necessario disporre di un impianto pulito.

Prima di installare il pulitore, informarsi sul raggio d'azione:

Il pulitore è studiato per l'eliminazione di detriti dalla piscina in 4-6 ore circa. L'operazione potrebbe richiedere meno tempo, a seconda delle dimensioni della piscina. Il pulitore non è stato progettato per la pulizia automatica di gradini o scalette né per il funzionamento sotto copertura solare. Il pulitore potrebbe restare intrappolato in tali aree, con conseguenti danni alla finitura o al rivestimento vinilico della piscina. Pentair Aquatic Systems declina qualsivoglia responsabilità per riparazioni o sostituzioni di alcuna di queste strutture o componenti della piscina del cliente. Il pulitore, inoltre, non è studiato per la pulizia iniziale di una piscina nuova o all'apertura stagionale della piscina.

DOPO aver installato il pulitore, verificarne il corretto funzionamento:

Potrebbe essere necessario mettere a punto il pulitore al fine di garantirne il corretto funzionamento, in modo che non danneggi la finitura della piscina. Alcuni rivestimenti vinilici hanno dei disegni che sono particolarmente suscettibili a usura superficiale o a cancellazione del disegno; l'inchiostro del disegno può cancellarsi o possono venire seriamente danneggiati con graffiature causate dal contatto con vari oggetti sulla superficie vinilica, compresi i pulitori automatici per piscine. Pentair Aquatic Systems non assume responsabilità per la cancellazione, abrasione o segnatura di rivestimenti vinilici. Ispezionare periodicamente i componenti e le prestazioni del pulitore per accertarsi che funzioni come previsto. Sostituire e/o riparare eventuali componenti danneggiati.

Termini e condizioni della garanzia limitata

Prima di installare il pulitore, leggere e comprendere tutte le avvertenze e le informazioni su garanzia e sicurezza di questa guida. La mancata osservanza delle istruzioni o un'installazione non corretta del pulitore potrebbero provocare danni alla finitura della piscina o al rivestimento vinilico. Pentair Aquatic Systems declina qualsivoglia responsabilità per la riparazione o la sostituzione di queste strutture o componenti della piscina del cliente.

Garanzia limitata : 2 ANNI

Per ulteriori informazioni : www.pentairpooleurope.com

Esclusione di responsabilità Informazioni sulla piscina e sul pulitore lato mandata per piscine

Ci sono una serie di fattori che contribuiscono alla vita utile di una piscina. Il pulitore per piscine è un prodotto estremamente passivo, che non ha impatto sulla vita utile della piscina.

È necessario essere consapevoli del fatto che, nel tempo, il deterioramento, lo scolorimento e la fragilità di qualsiasi finitura di piscina possono essere causati dai seguenti fattori, congiuntamente o singolarmente: età, squilibrio chimico dell'acqua della piscina, installazione non corretta e altri. I pulitori lato mandata per piscine non rimuoveranno una "buona" finitura di piscina né ne causeranno l'usura. In realtà è vero l'opposto: la finitura della piscina finirà per causare l'usura del pulitore.

Lo stesso vale per le piscine interrate con rivestimento vinilico, poiché anche tale rivestimento è condizionato dall'ambiente e da fattori quali la chimica dell'acqua della piscina, la luce del sole e gli elementi che circondano la piscina stessa. Pertanto, nel tempo il vinile può farsi fragile e debole. Inoltre, le piscine con rivestimento vinilico risentono di lavorazione, composizione e installazione del rivestimento, oltre che di lavorazione e qualità costruttiva delle pareti di supporto e del fondo della piscina. Questi sono tutti fattori che possono contribuire al deterioramento del rivestimento. L'esistenza di una qualsiasi di queste condizioni nella piscina non è dovuta all'uso o al funzionamento del pulitore. Il produttore declina qualsivoglia responsabilità per riparazioni o sostituzioni di queste strutture o componenti della piscina del cliente.

Il proprietario della piscina deve assumersi tutta la responsabilità delle condizioni e della manutenzione della superficie, dell'acqua e dello spazio attorno alla piscina.

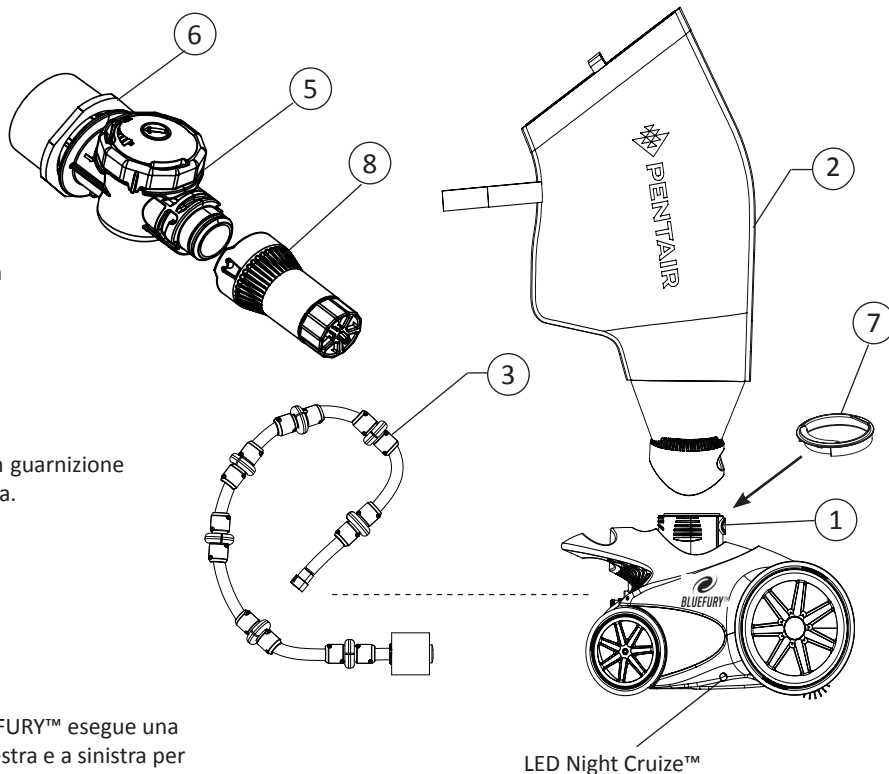
Prima di installare il pulitore è opportuno registrarne il numero di serie. Tale numero si trova sulla scheda di garanzia e sul retro del pulitore, vicino ai getti posteriori. Sarà necessario fornire tale numero quando si contatterà il reparto di assistenza tecnica.

N. DI SERIE _____

Componenti del pulitore

1. Testa del pulitore BLUEFURY
2. Sacco dei detriti
3. Tubo spazzola
(non necessario nella maggior parte delle piscine)
4. Assieme tubo di alimentazione – Non illustrato (sez. 3-10 piedi)
5. Giunto a parete
6. Adattatore a parete
7. Guarnizione detriti
8. Indicatore di flusso

Nota bene: Il pulitore è consegnato con guarnizione dei detriti installata all'interno della testa.



Panoramica

Il pulitore lato mandata per piscine BLUEFURY™ esegue una sequenza di movimenti dritti e curve a destra e a sinistra per aspirare e pulire a fondo l'intera superficie della piscina.

- Per una pulizia continua e ininterrotta, il pulitore passerà alla modalità retro ogni due minuti circa, in modo da pulire con efficienza l'intera piscina.

Nota bene: Prima di installare e utilizzare il pulitore, leggere per intero queste importanti indicazioni:

1. Scollegare sempre il pulitore dalla parete della piscina quando si pulisce il filtro della piscina o se ne effettua il controlavaggio.
2. Dopo la pulizia o il controlavaggio del filtro, mettere in funzione l'impianto di filtrazione per almeno cinque minuti prima di ricollegare il pulitore.
3. Eventuali nuove tubazioni idrauliche vanno pulite completamente prima di installare il pulitore.
4. Il pulitore non va utilizzato per rimuovere la polvere di intonaco dalle piscine nuove.
5. Rimuovere sempre il pulitore prima di consentire l'uso della piscina.
6. Maneggiare sempre con cura il pulitore.
7. Sollevare sempre il pulitore dalla maniglia, soprattutto quando lo si estrae dall'acqua.
8. Evitare di maneggiare il pulitore mentre è in funzione.
9. Rimuovere sempre il pulitore dalla piscina prima di trattamenti chimici pesanti (superclorazione).
Di regola, se l'acqua della piscina non è sicura per nuotare, non lo è anche per il pulitore.
10. Tagliare accuratamente il tubo di alimentazione seguendo le istruzioni.
11. Seguendo queste semplici indicazioni, sarà possibile tutelarsi da lesioni e prolungare la vita utile del pulitore.
12. Consultare le "Avvertenze importanti e istruzioni di sicurezza".

INSTALLAZIONE

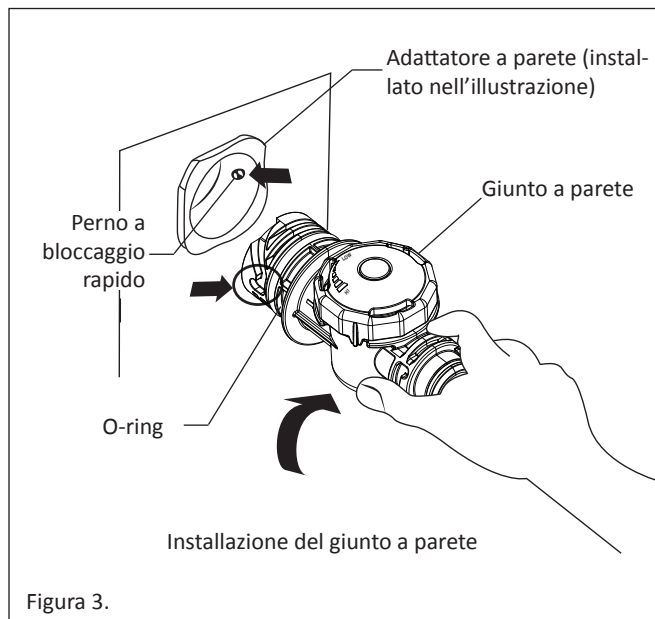
Installazione della pompa di carico

Fare riferimento alle istruzioni allegate alla pompa di carico per informazioni sull'installazione.

Attenersi scrupolosamente alle seguenti istruzioni.

Installazione del giunto e dell'adattatore a parete

1. Rimuovere e scollegare eventuali pulitori per piscine e/o giunti a parete.
2. **Accendere** la pompa di filtrazione e la pompa di carico per pulire completamente la tubazione idraulica.
3. **Spegnere** la pompa del filtro e la pompa di carico.
4. Inserire l'adattatore del giunto a parete nel tubo di ritorno filettato 1-1/2" NPT dedicato. Serrare a mano quanto basta. **Vedere figura 3.**
5. Allineare il giunto a parete ai perni a bloccaggio rapido all'interno dell'adattatore a parete. Spingere completamente il giunto a parete dentro l'adattatore a parete. Ruotare di un quarto di giro in senso orario per bloccare il giunto a parete. **Tirare delicatamente verso l'esterno per inserire i perni a bloccaggio rapido. Vedere figura 3.**



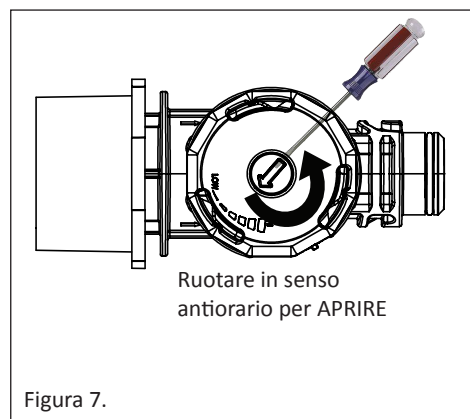
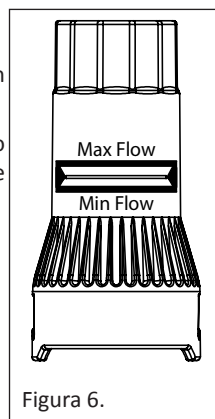
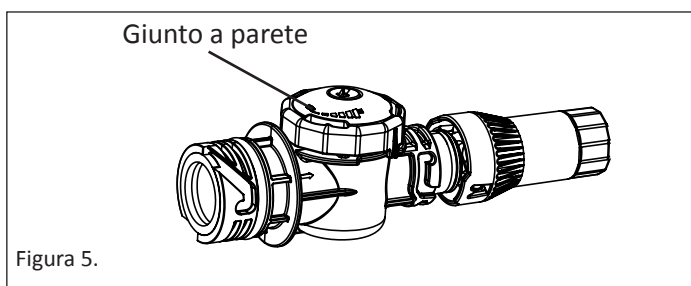
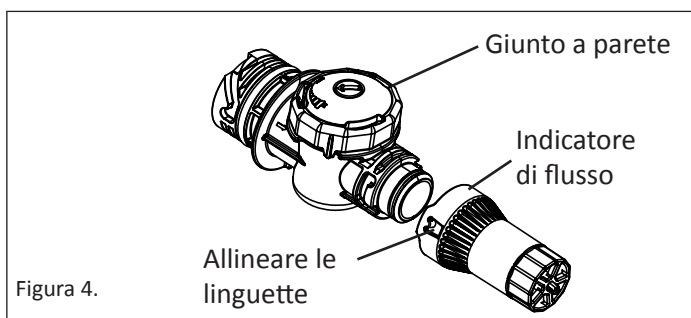
Collegamento del flusso d'acqua al pulitore

IMPORTANTE! Prima di avviare questa procedura, accertarsi di aver spento la pompa del filtro e la pompa di carico.

1. Collegare l'indicatore di flusso al giunto a parete allineando le due linguette sull'indicatore alle scanalature del giunto a parete. **Vedere figura 4.** Premere e girare l'indicatore di flusso in senso orario finché non si arresti, poi tirarlo delicatamente all'infuori rispetto alla parete. Assicurarsi che l'indicatore di flusso sia bloccato saldamente in posizione ruotandolo in senso antiorario e contemporaneamente tirandolo delicatamente all'infuori. **Vedere figura 5.**

Nota bene: L'indicatore di flusso non girerà una volta bloccato in posizione.

2. Accendere la pompa del filtro e poi la pompa di carico.
3. Verificare che il pistone bianco (all'interno dell'indicatore di flusso) sia allineato nella scatola sull'indicatore di flusso. **Vedere figura 6.**
4. Regolare la valvola sul giunto a parete utilizzando un cacciavite a taglio e girando la valvola in senso orario (per ridurre il flusso) o antiorario (per aumentarlo), in modo che il pistone bianco sia allineato alle frecce segnate sull'indicatore di flusso. **Vedere figura 7.**
5. Spegnere la pompa di carico e poi la pompa del filtro.
6. Rimuovere l'indicatore di flusso dal giunto a parete spingendolo in dentro, girandolo in senso antiorario ed estraendolo.
7. Collegare l'assieme del tubo al giunto a parete. Ruotare in senso orario per un quarto di giro e spingere in dentro per fissarlo in posizione (come spiegato nella Fase 2).



Calcolo della velocità/dei giri/min del pulitore

1. Per stabilire se il pulitore lato mandata per piscine BLUEFURY™ sia soggetto alla pressione dell'acqua corretta, spegnere la pompa della piscina e rimuovere con cautela il pulitore dalla piscina.
2. Demarcare lo pneumatico/la ruota anteriore, ad esempio con un filo d'erba incastrato nello stesso.
3. Chiedere a qualcuno di riaccendere la pompa della piscina e la pompa di carico mentre si posiziona il pulitore subito al di sotto della superficie dell'acqua della piscina.

Nota bene: Assicurarsi di trattenere il tubo spazzola (se installato) per evitare di bagnarsi, dal momento che il flusso tornerà al regolatore del tubo spazzola una volta riaccesa la pompa.

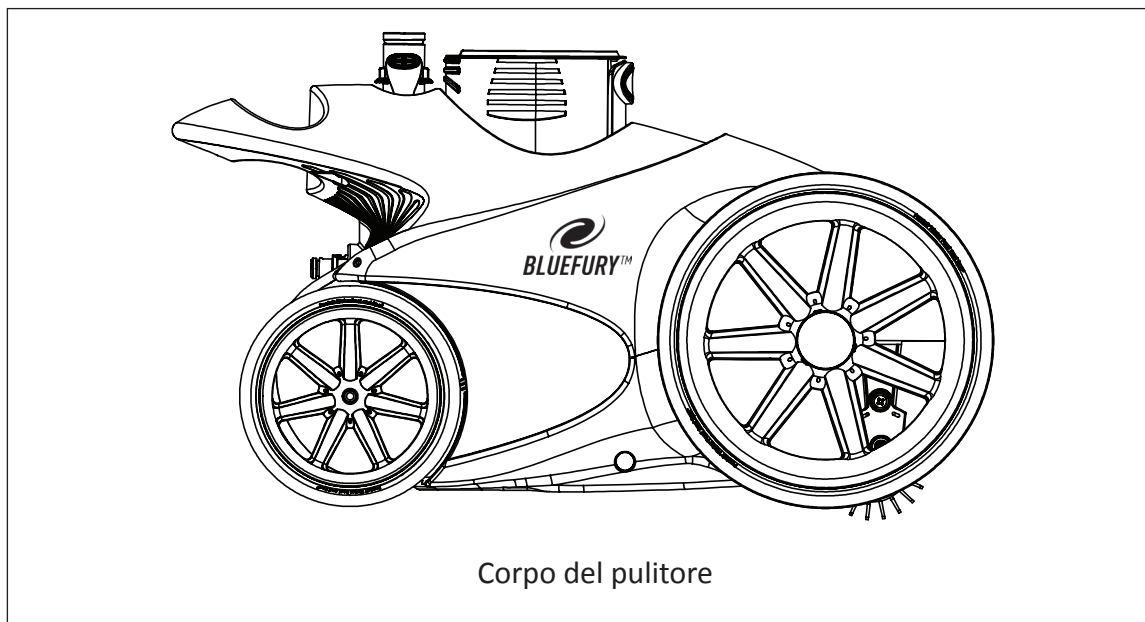
4. Contare il numero di rotazioni complete effettuata dalla ruota demarcata nel corso di un minuto. Il numero di rotazioni corrisponderà ai giri al minuto.

Nota bene: Assicurarsi che la valvola di back-up non sia in fase di ciclo in questo momento.

5. Per prestazioni adeguate, il pulitore BLUEFURY opera fra 31 e 33 giri/min con tubo spazzola installato e 33 e 36 giri/min senza tubo spazzola.

Se i giri/min sono meno di 31 quando il tubo spazzola è installato o meno di 33 in assenza di tubo spazzola, contattare un professionista esperto di piscine di fiducia.

Se i giri/min sono più di 33 quando il tubo spazzola è installato o più di 36 in assenza di tubo spazzola, regolare la valvola del giunto a parete, come descritto nella sezione "Collegamento del flusso d'acqua al pulitore", finché i giri/min non rientrino nell'intervallo ottimale.



Adattamento dell'assieme dei tubi alla piscina

L'assieme dei tubi è composto da: Tre (3) sezioni da 10 piedi, un (1) tubo principale flessibile color grigio chiaro contrassegnato come sezione uno e due (2) tubi di alimentazione più rigidi color grigio scuro contrassegnati come sezioni due e tre.

Importante per le prestazioni del pulitore:

Misurare, tagliare e assemblare le sezioni dei tubi come descritto nelle Fasi 1 e 2. Utilizzare forbici robuste o un coltello affilato per tagliare i tubi. Assicurarsi di allontanare i galleggianti quando si tagliano i tubi. Tagliare le estremità dei tubi quanto più dritte possibile.

Fase 1: Dimensionamento della sezione 1 del tubo

1. Misurare il punto più profondo della piscina. **Vedere figura 8.**

Nota bene: La grata o lo scarico principale coperto, sul fondo della piscina, corrisponde solitamente al punto più profondo. *Se la profondità è superiore a 10 piedi evitare di tagliare il tubo e passare alla Fase 2.*

2. Se la profondità della piscina è inferiore a 10 piedi, scollegare il tubo principale flessibile color grigio chiaro, contrassegnato come sezione uno, dall'estremità con raccordo girevole. Tagliare il tubo principale, in modo che la sua lunghezza corrisponda alla parte più profonda della piscina. **Vedere figura 9.**

Esempio: *Se la piscina è profonda 8 ½ piedi, tagliare 1 ½ piede dal tubo contrassegnato come sezione uno (dal momento che è lungo 10 piedi).*

3. Eliminare il tubo in eccesso. Ricollegare il tubo principale appena tagliato al raccordo girevole del tubo di alimentazione. Tutte e tre le sezioni del tubo dovrebbero ora essere connesse.

Fase 2: Dimensionamento delle sezioni 2 e 3 del tubo

1. Collegare l'assieme del tubo al giunto a parete. **Vedere figura 10.** Dopodiché, collegare il giunto a parete (con il tubo) all'adattatore a parete. **Vedere figura 10.** Prendere l'estremità opposta dell'assieme dei tubi e raggiungere il punto più lontano dall'adattatore a parete della piscina. **Per evitare di allungare eccessivamente il tubo, appoggiarlo sulla superficie dell'acqua della piscina.** Misurare la lunghezza in eccesso del tubo (la parte che si estende oltre il bordo della piscina). In tal modo si stabilisce la lunghezza del tubo da tagliare dalle sezioni 2 e 3.
2. Scollegare l'assieme dei tubi di alimentazione dall'adattatore a parete. Scollegare le sezioni 2 e 3 dal raccordo girevole più vicino al giunto a parete.
3. Tagliare metà della lunghezza di tubo in eccesso totale da ciascun tubo contrassegnato come sezione 2 o sezione 3 (assemblato con quattro galleggianti), in egual misura. **Entrambe le sezioni del tubo di alimentazione devono essere della stessa lunghezza dopo il taglio.**

Esempio: *In presenza di 6 piedi di tubo in eccesso. Tagliare 3 piedi dalla sezione 2 e dalla sezione 3. (Metà di 6 piedi = 3 piedi ciascuna)*

Se vengono tagliati più di 3 piedi da ciascuna sezione del tubo, rimuovere un (1) galleggiante da ciascuna.

Nota bene: Per piscine di grandi dimensioni, che richiedono lunghezze dei tubi superiori, sarà necessario acquistare un (1) tubo in più, codice unico 360265 (tubo singolo da 10 piedi). Collegare le sezioni di tubo extra al giunto a parete utilizzando il raccordo girevole e dei dadi.

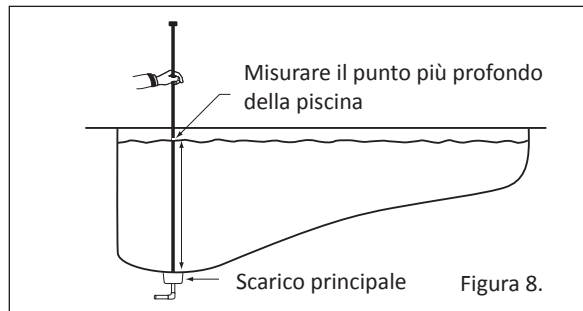


Figura 8.

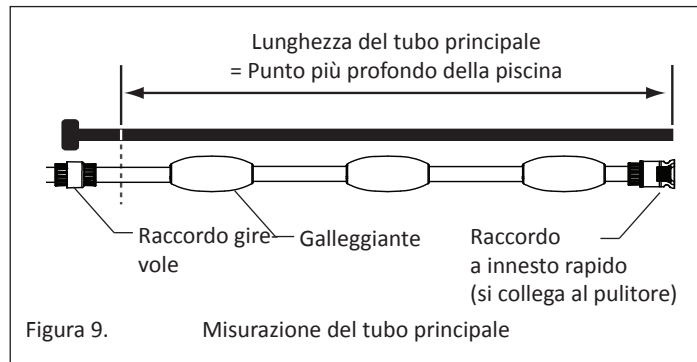


Figura 9.

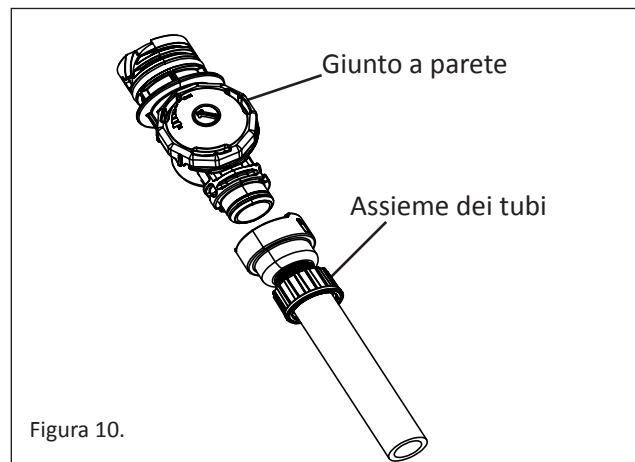


Figura 10.

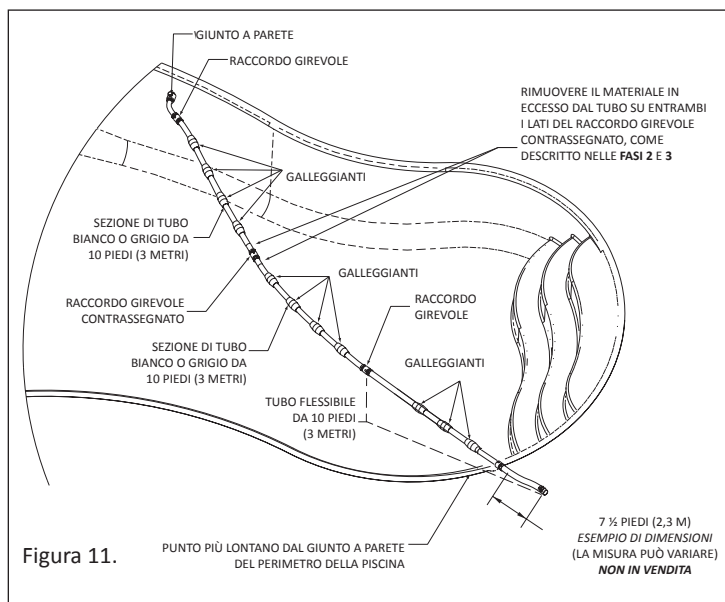


Figura 11.

Fase 3: Collegare le sezioni del tubo

1. Una volta tagliate le sezioni del tubo alla giusta dimensione, ricollegarle spingendo l'estremità del tubo sulla punta del raccordo girevole.

Nota bene: Accertarsi di spingere tubo fino in fondo alla punta.

2. Avvicinare il dado al tubo girandolo in senso orario e serrandolo. Se necessario, usare delle pinze.

Nota bene: Assicurarsi che nelle sezioni di tubo 2 e 3 rimanga lo stesso numero di galleggianti, come spiegato nella Fase 2.

3. Per verificare che il tubo sia tagliato alla giusta lunghezza, ricollegare il tubo e il giunto a parete all'adattatore a parete. Prendere l'estremità opposta dell'assieme dei tubi e raggiungere il punto più lontano dall'adattatore a parete della piscina. Il tubo deve raggiungere il bordo della piscina, ma non deve superarlo di più di 6 pollici.

4. A questo punto si può collegare il pulitore al tubo.

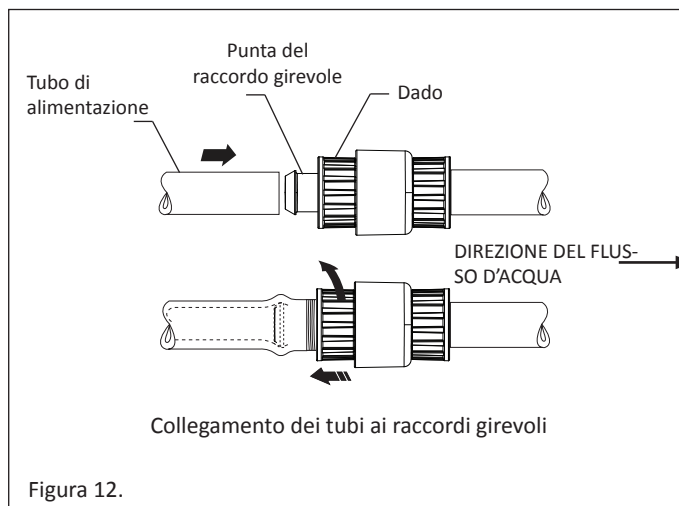


Figura 12.

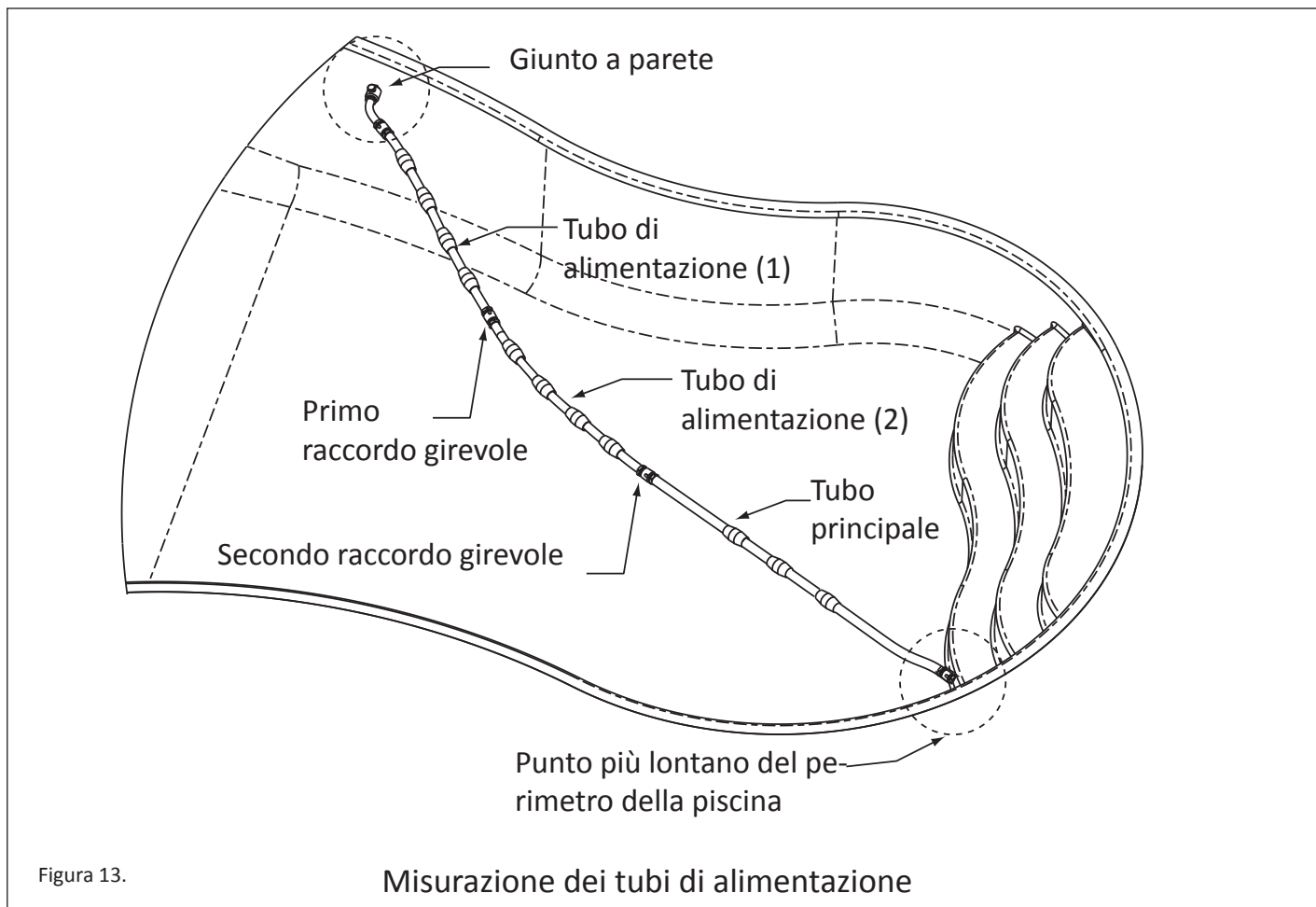


Figura 13.

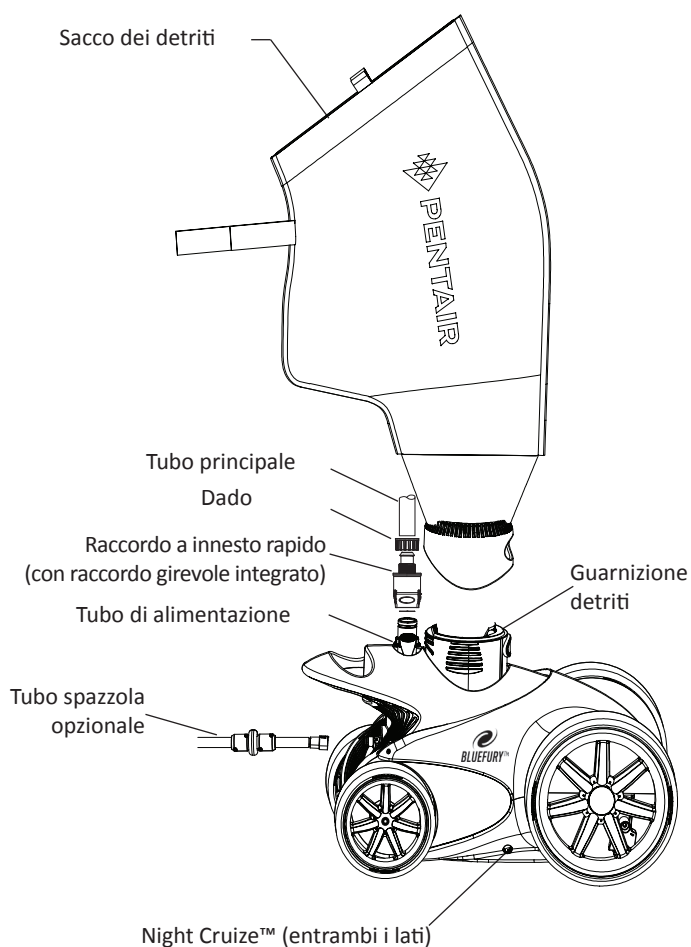
Misurazione dei tubi di alimentazione

Assemblaggio del pulitore

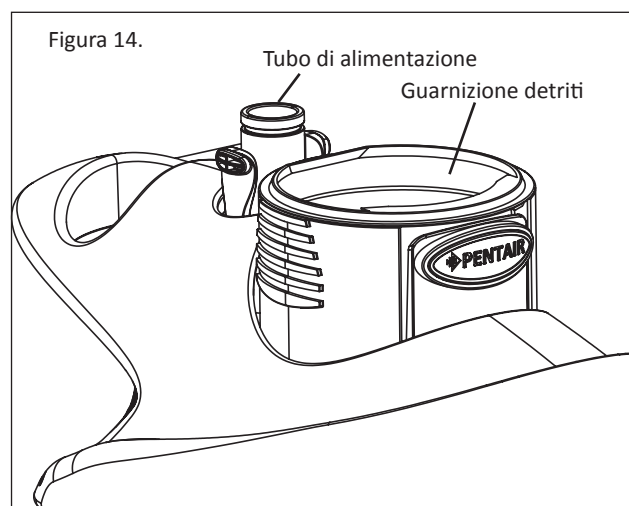
1. Collegare il raccordo a innesto rapido all'estremità del tubo al tubo di alimentazione del pulitore. Assicurarsi che gli agganci siano inseriti.
2. Collegare il sacco dei detriti al pulitore. Spingere il sacco sul tubo a vuoto fino a farlo scattare in posizione.
3. Esaminare l'elenco di controllo prima dell'uso:
 - Tubi tagliati correttamente e galleggianti distanziati in modo uniforme.
 - Dadi serrati sul tubo di alimentazione.
 - Giunto a parete saldo e in posizione.
 - Sacco dei detriti e assieme dei tubi collegati.
 - Assicurarsi che la guarnizione dei detriti sia collegata. **Vedere figura 14.**

Uso del pulitore

1. Far scendere delicatamente il pulitore nella piscina.
2. Accendere la POMPA DEL FILTRO.
3. Aspettare almeno 60 secondi per consentire all'aria di uscire dal tubo.
4. Accendere la POMPA DI CARICO.



Assemblaggio del pulitore



REGOLAZIONI E FUNZIONAMENTO DEL PULITORE

Funzionamento del pulitore

Nota bene: Possono essere necessarie alcune regolazioni minime del pulitore per garantirne il corretto funzionamento e le migliori prestazioni possibili.

Quando funziona correttamente, il pulitore si muoverà lungo un percorso casuale in tutta la piscina, aspirando e pulendola a fondo.

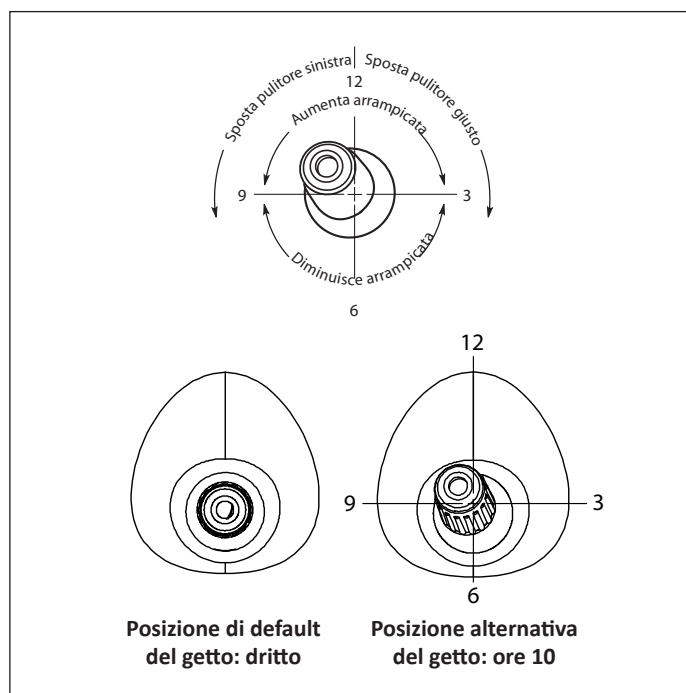
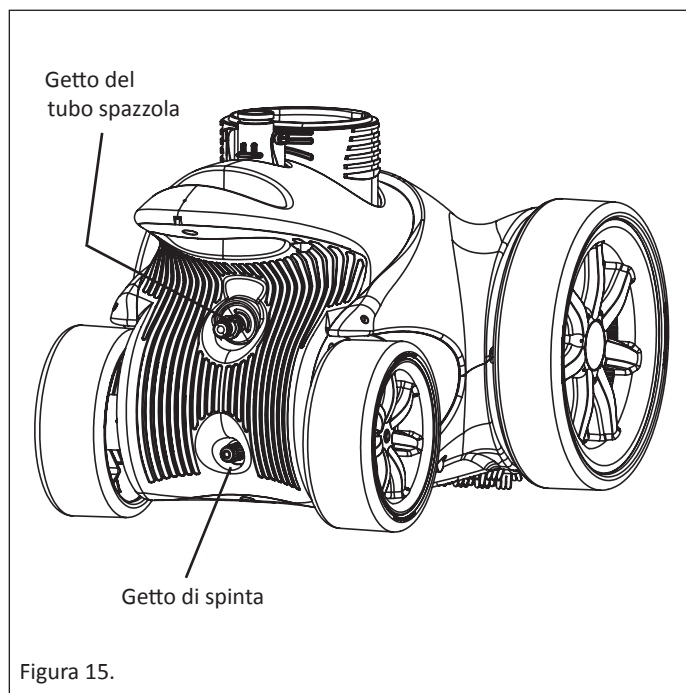
- La capacità di arrampicarsi del pulitore dipende dalla struttura della piscina e dal flusso dell'acqua.
- Per le piscine residenziali di dimensioni medie (15 x 30 piedi) si consiglia un ciclo di pulizia di un'ora.
- L'operazione si svolgerà in modo più efficiente nelle piscine senza transizioni brusche fra fondo e pareti.
- Il pulitore entrerà in modalità retromarcia ogni due minuti e mezzo circa, per un tempo di circa 15 secondi.
- Se la piscina ha un livello elevato di detriti, far funzionare il pulitore in due cicli brevi. Svuotare il sacco dei detriti fra i cicli.

Regolazione del getto di spinta

Il getto di spinta si trova nella parte posteriore del pulitore, sotto il getto del tubo spazzola, e contribuisce a direzionare il pulitore. **Vedere figura 15.**

Può essere necessario regolare il getto di spinta in base alla forma della piscina, al fine di ottenere una pulizia più completa.

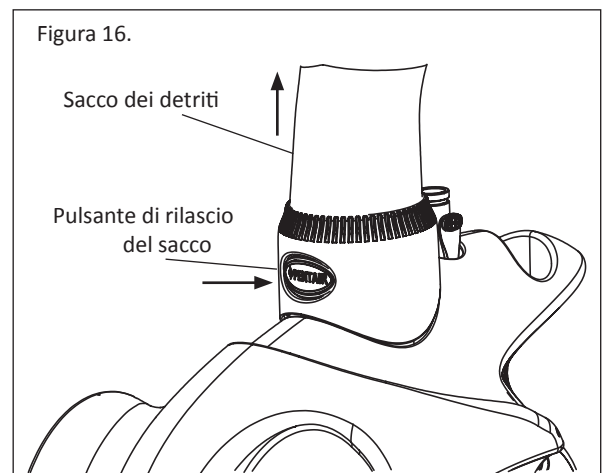
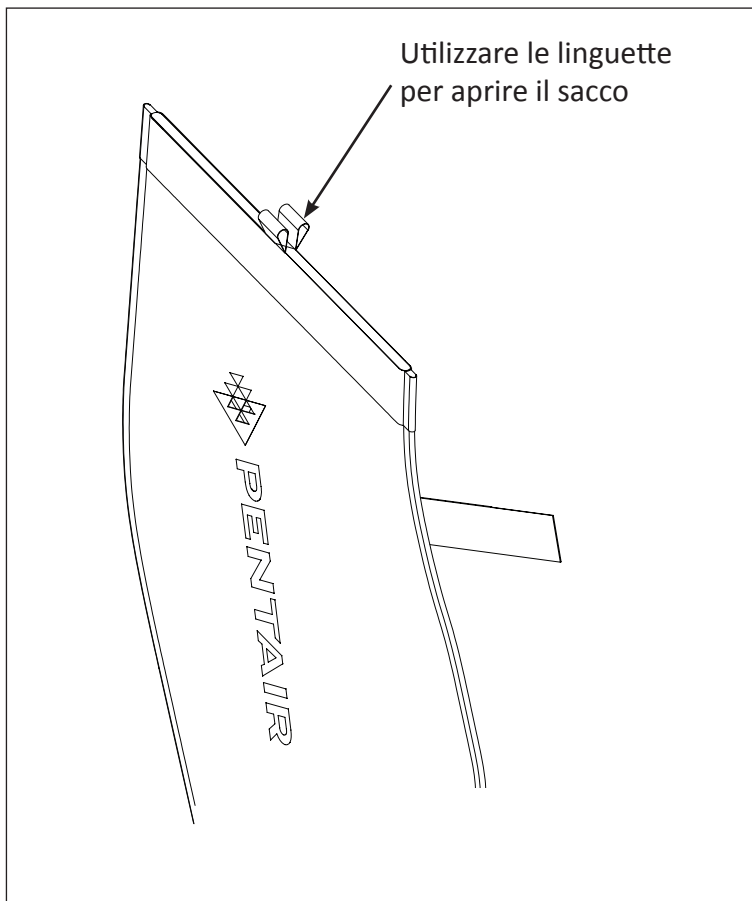
La posizione alternativa del getto illustrata in basso può consentire al pulitore di arrampicarsi più facilmente.



Pulizia del sacco dei detriti

1. Staccare la cinghia del sacco dal tubo.
2. Premere il pulsante di rilascio sul tubo a vuoto del pulitore e tirare delicatamente verso l'alto per rimuovere il sacco dal pulitore. **Vedere figura 16.**
3. Aprire la chiusura del sacco tirando in direzioni opposte le linguette di tessuto nella parte alta del sacco stesso. Tenendo il fondo del sacco, rovesciarlo per farne uscire i detriti. Se necessario, sciacquare il sacco.
4. Per chiudere il sacco, utilizzare la chiusura in velcro sulla parte superiore dello stesso e far scorrere le dita su tutta la sua lunghezza, in modo che la chiusura sia completa.
5. Assicurarsi che la guarnizione dei detriti sia sul tubo a vuoto. **Vedere figura 14.**
6. Far scivolare il collo del sacco dei detriti sul tubo a vuoto finché non scatta in posizione.
7. Ricollegare la cinghia al tubo di alimentazione.
8. Per impedire al sacco di piegarsi durante il funzionamento, collegare la cinghia sopra il primo galleggiante del tubo di alimentazione. Far scivolare il galleggiante verso il basso se necessario.

Nota bene: È più facile svuotare il sacco dei detriti quando è asciutto. Si può utilizzare un secondo sacco (acquistato separatamente) mentre il primo è ad asciugare.



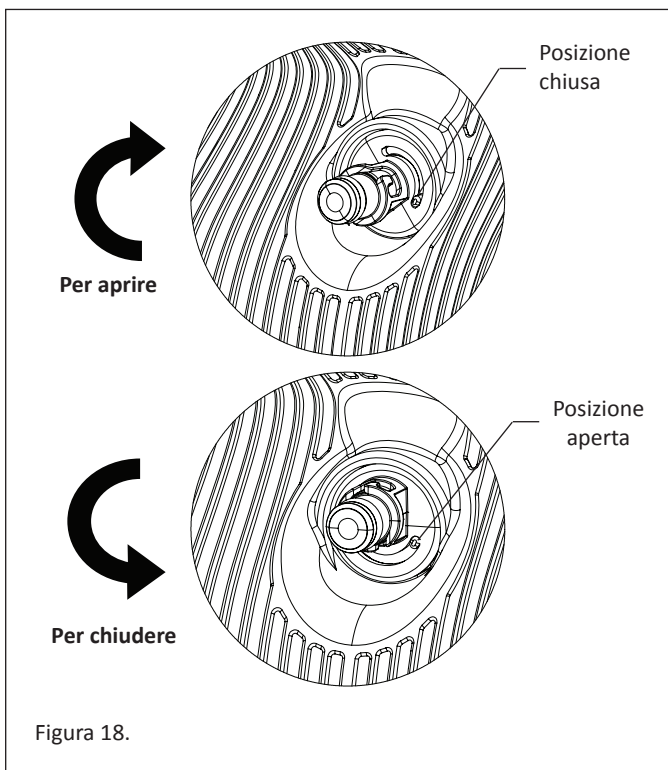
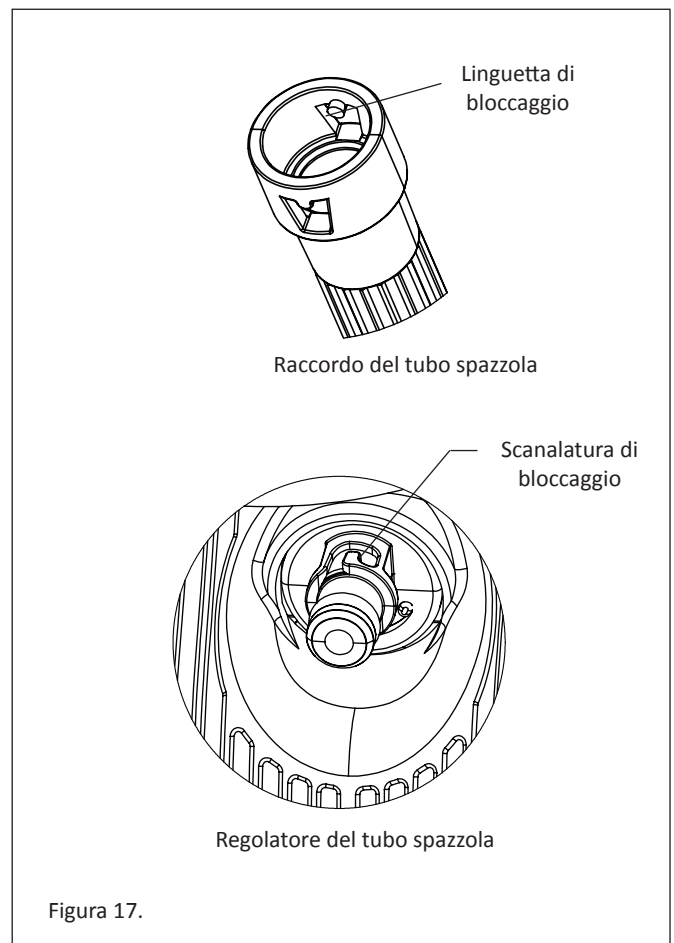
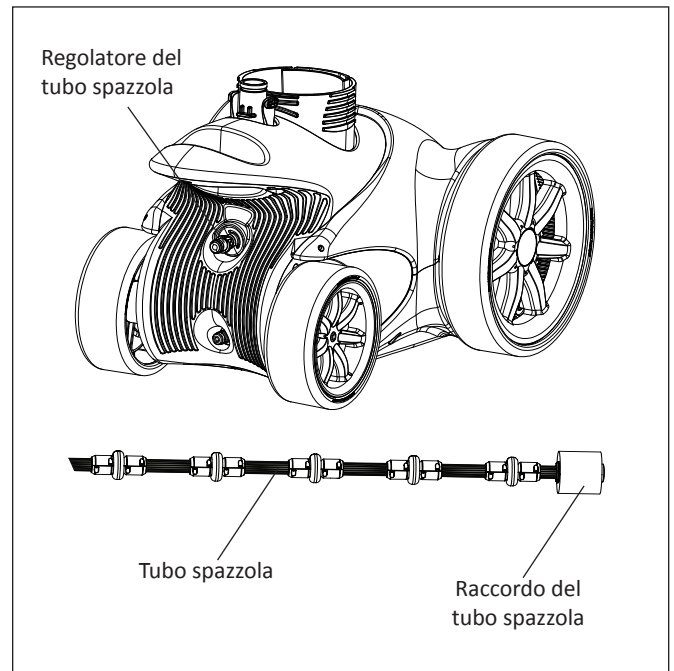
Regolazione del regolatore del tubo spazzola (quando è installato)

Il tubo spazzola ha un movimento ampio e delicato, che serve a rimuovere i detriti dagli angoli della piscina più difficili da raggiungere.

Nota bene: 1. Evitare di regolare il regolatore del tubo spazzola mentre il pulitore è in funzione. C'è il rischio di danneggiare il pulitore.

2. Il tubo spazzola deve essere utilizzato per regolare il proprio regolatore.

1. Se non si intende avvalersi del tubo spazzola opzionale, non sono necessarie altre operazioni. Per collegare il tubo spazzola opzionale al pulitore e aprire il regolatore del tubo spazzola, passare alla Fase 2.
2. Per collegare il tubo spazzola al pulitore lato mandata per piscine BLUEFURY™, allineare le linguette di bloccaggio all'interno del raccordo del tubo spazzola (piccolo raccordo tondo all'estremità del tubo spazzola) alle scanalature di bloccaggio sul regolatore del tubo spazzola del pulitore. **Vedere figura 17.**
3. Il regolatore del tubo spazzola arriva dallo stabilimento in posizione chiusa. Per aprirlo, spingere il raccordo del tubo spazzola sul regolatore del tubo spazzola. Quando non è possibile spingerlo oltre, ruotare il raccordo del tubo spazzola **in senso orario** finché non si ferma (circa 45 gradi). **Vedere figura 18.** Tirare verso l'esterno il raccordo del tubo spazzola, che si bloccherà in posizione.
4. Per rimuovere il tubo spazzola e spegnerne il regolatore, prendere il raccordo del tubo spazzola e ruotarlo **in senso antiorario** finché non si ferma (circa 45 gradi). **Vedere figura 18.** Estrarre il raccordo del tubo spazzola dal regolatore e conservarlo in un luogo sicuro.



MANUTENZIONE

Manutenzione periodica

Ispezionare periodicamente il pulitore e i suoi componenti. Sostituire e/o riparare eventuali componenti usurati o danneggiati. La mancata osservanza delle istruzioni o un'installazione non corretta del pulitore può causare danni al pulitore, alla finitura della piscina o al rivestimento vinilico.

Le seguenti parti sono soggette a usura e vanno ispezionate periodicamente e sostituite secondo necessità.

Schermo del giunto a parete

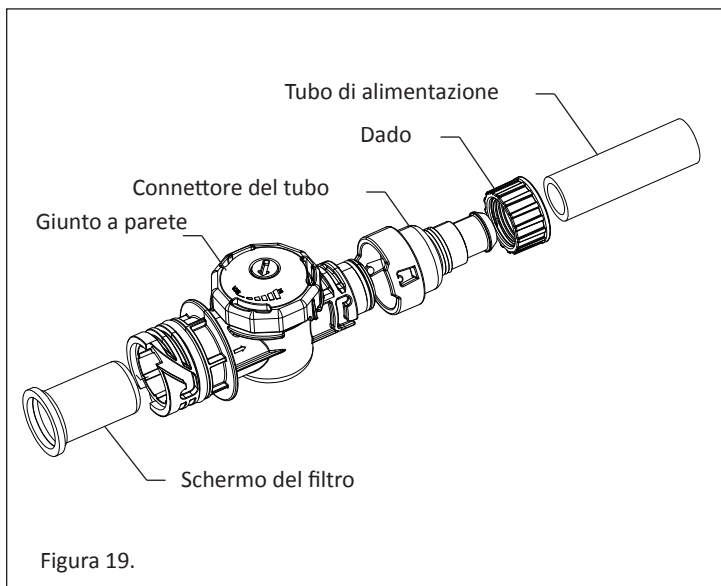
All'interno del giunto a parete c'è uno schermo del filtro in acciaio inox che funge da filtro secondario. Tale schermo cattura i detriti eventualmente sfuggiti al filtro della piscina.

Uno schermo sporco può significare problemi all'impianto di filtrazione della piscina; può essere necessario contattare il proprio tecnico di fiducia.

Nota bene: Mettere in funzione il pulitore senza schermo del filtro può causare danni al pulitore stesso e l'annullamento della garanzia.

Per pulire lo schermo del filtro:

1. Spegnerne la pompa di carico e poi la pompa di filtrazione.
2. Rimuovere il giunto a parete dall'adattatore a parete.
3. Estrarre lo schermo dall'interno del giunto a parete.
4. Sciacquare accuratamente lo schermo finché non sia pulito e reinserirlo nel giunto a parete.
5. Ogni volta che si effettua la pulizia, il controlavaggio o la riparazione del filtro della piscina, pulire anche lo schermo del giunto a parete dopo il primo ciclo del pulitore.



Pulizia dello schermo del filtro

Pneumatici

Gli pneumatici sono progettati per proteggere il fondo della piscina e garantire trazione. Gli pneumatici tendono a usurarsi e vanno sostituiti di tanto in tanto.

Sacchi dei detriti

Il pulitore è fornito insieme a un sacco multiuso, utilizzabile per tutti i tipi di detriti. Sostituire il sacco quando il tessuto si fora o si lacera.

Nota bene: Per prolungare la vita utile del pulitore, toglierlo dalla piscina prima di versarvi sostanze chimiche.

Tubo spazzola

Il tubo spazzola è fornito come accessorio opzionale, per consentire di tenere puliti gli angoli della piscina difficili da raggiungere. Sostituire la spazzola secondo necessità se utilizzata.

Anelli di rotolamento del tubo spazzola

Il tubo spazzola presenta una serie di anelli di rotolamento che lo proteggono. Sostituire gli anelli secondo necessità. Assicurarsi che gli anelli di rotolamento ruotino liberamente.

Controlavaggio del filtro della piscina

Scollegare sempre il pulitore dalla parete della piscina quando si pulisce il filtro della piscina o se ne effettua il controlavaggio. Dopo aver effettuato la pulizia o il controlavaggio, tenere in funzione l'impianto di filtrazione della piscina e la pompa di carico per almeno cinque minuti, in modo da pulire i tubi di ritorno prima di ricollegare il pulitore.

Stoccaggio e rimessaggio invernale

Si può lasciare l'adattatore a parete nella parete e stoccare i tubi distendendoli ed evitando che si formino pieghe. Se il tubo viene stoccato arrotolato, assicurarsi di distenderlo al sole per 12 – 24 ore prima di riutilizzarlo. Avvalersi dell'indicatore di flusso per accertarsi che il flusso sia sufficiente per il funzionamento del pulitore.

Pezzi de ricambio

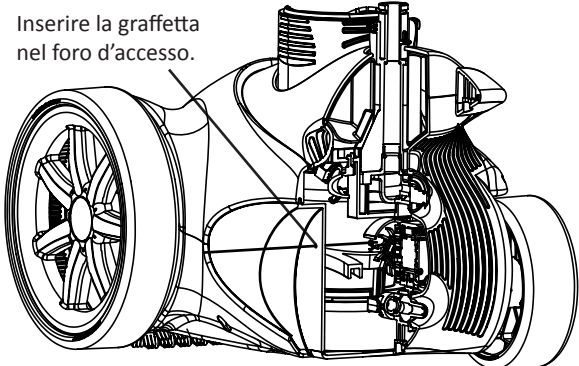
Una copia up-to-date dei pezzi di ricambio possono essere trovate sul nostro sito : www.pentairpooleurope.com

RICERCA GUASTI

Utilizzare le seguenti informazioni di ricerca guasti per risolvere potenziali problemi del pulitore lato mandata per piscine BLUEFURY™.

Problema	Soluzione
Il pulitore non si muove o si muove lentamente.	<p>Assicurarsi che la pompa del filtro e la pompa di carico siano accese e spostino acqua. (Può essere necessario pulire l'impianto di filtrazione della piscina).</p> <p>Assicurarsi che lo schermo del giunto a parete sia privo di detriti; può essere necessario rimuoverlo e sciacquarlo.</p> <p>Verificare che il flusso sia adeguato tramite l'indicatore di flusso (fornito). Regolare il flusso all'altezza del giunto a parete, se necessario.</p> <p>Verificare l'eventuale presenza di perdite in corrispondenza dei collegamenti e dei raccordi girevoli del tubo di alimentazione.</p> <p>Verificare l'eventuale presenza di detriti incastrati fra i denti degli ingranaggi di una delle ruote motrici anteriori. Ruotare delicatamente all'indietro le ruote anteriori per rimuovere i detriti.</p> <p>Verificare che le ruote posteriori girino liberamente. Sostituire le ruote se necessario.</p>
Il pulitore si blocca sui gradini.	<p>Verificare che le ruote anteriori (grandi) cambino senso di marcia ogni due minuti e mezzo circa.</p>
Il pulitore si inclina su un lato.	<p>Di solito questo indica che il sacco dei detriti è pieno. Svuotare il sacco dei detriti.</p> <p>Nota bene: A volte il pulitore si inclina su un lato (su due ruote) durante un ciclo di svolta. Osservare il pulitore per qualche minuto per vedere se torna a posizionarsi verticalmente.</p>
Il pulitore non va in retromarcia.	<p>Verificare che le ruote anteriori (grandi) cambino senso di marcia ogni due minuti e mezzo circa.</p> <p>Verificare che il flusso sia adeguato tramite l'indicatore di flusso (fornito). Regolare il flusso all'altezza del giunto a parete, se necessario.</p>
Il pulitore non si arrampica.	<p>Verificare il sacco dei detriti. Svuotare il sacco dei detriti qualora sia pieno.</p> <p>Verificare che il flusso sia adeguato tramite l'indicatore di flusso (fornito). Regolare il flusso all'altezza del giunto a parete, se necessario.</p> <p>Riposizionare il getto di spinta per aumentare la capacità di arrampicarsi.</p> <p>Nota bene: La capacità di arrampicarsi del pulitore dipende dalla forma della piscina e dal flusso dell'acqua. Il pulitore si arrampicherà meglio in piscine senza angoli acuti o nel punto di transizione fra il fondo e la parete della piscina.</p>
I tubi si aggrovigliano.	<p>Verificare la lunghezza del tubo di alimentazione. Se è eccessiva, può causare l'aggrovigliamento dei tubi. Vedere pagina 3 per il dimensionamento del tubo di alimentazione.</p> <p>Assicurarsi che il tubo di alimentazione galleggi sulla superficie della piscina. I galleggianti del tubo dovrebbero essere distanziati di circa due piedi l'uno dall'altro. Vedere il posizionamento dei galleggianti del tubo.</p> <p>Assicurarsi che i raccordi girevoli del tubo ruotino liberamente. Sostituire i raccordi girevoli se troppo stretti.</p> <p>Assicurarsi che il tubo di alimentazione non presenti pieghe o gomiti.</p>
Il tubo spazzola è rimasto intrappolato nel tubo a vuoto.	<p>Assicurarsi che la valvola di regolazione del tubo spazzola sia completamente aperta.</p>
La pompa di carico è molto rumorosa.	<p>Assicurarsi che la pompa del filtro e la pompa di carico siano accese e spostino acqua. (Può essere necessario pulire l'impianto di filtrazione della piscina).</p> <p>Assicurarsi che il giunto a parete sia correttamente installato. In caso di perdite, può essere necessario sostituire l'O-ring.</p> <p>Contattare il proprio tecnico di fiducia: è possibile che vi sia un problema alla pompa di carico.</p>

RICERCA GUASTI (segue)

Problema	Soluzione
<p>La spazzola sulla parte anteriore del pulitore non ruota.</p>	<p>Osservare le ruote anteriori mentre il pulitore è in funzione nella piscina. Le ruote e la spazzola anteriore dovrebbero ruotare simultaneamente.</p> <p>Assicurarsi che la spazzola non abbia intrappolato dei detriti.</p>
<p>Le ruote posteriori si trascinano/non ruotano.</p>	<p>Assicurarsi che la flangia della ruota non abbia intrappolato dei detriti.</p> <p>Nota bene: Può essere necessario rimuovere la ruota dalla flangia per eliminare eventuali detriti intrappolati.</p>
<p>Le ruote posteriori fuoriescono.</p>	<p>Sostituire la ruota e la relativa flangia.</p>
<p>I LED Night Cruize™ non illuminano durante il funzionamento del pulitore. (Note bene: il funzionamento dei LED non ha effetto sulle prestazioni del pulitore).</p>	<p>La turbina del generatore potrebbe essere ostruita da detriti. Per rimuovere i detriti dalla turbina del generatore: Trovare il foro d'accesso sotto la ruota posteriore sinistra, rimuovendo la ruota dal pulitore. Inserire circa due pollici dell'estremità di una graffetta di grandi dimensioni nel foro d'accesso e continuare fino a toccare la pala della turbina del generatore; dopodiché, muovere la graffetta finché la pala non ruota. Ruotare la pala diverse volte con la graffetta per eliminare i detriti.</p> <p>Inserire la graffetta nel foro d'accesso.</p> 

RICERCA GUASTI (segue)

Passaggi su punti ripidi del rivestimento vinilico

In alcune piscine con pendenze molto ripide, l'angolo di transizione da punti più profondi a punti meno profondi può causare difficoltà di transito al pulitore lato mandata per piscine BLUEFURY™. In tal caso, può essere necessario inserire le zeppe per pneumatici fornite per aiutare il pulitore nello spostamento. Tali zeppe creano un rilievo nello pneumatico e aiutano il pulitore a non bloccarsi. Non sono necessarie in tutte le piscine.

Nota bene: Entrambe le zeppe vanno installate orizzontalmente e in linea l'una con l'altra. Se non sono in linea, possono creare difficoltà al pulitore con l'angolo di transizione. È importante per il corretto funzionamento del pulitore. **Vedere figura 20.**

1. Per installare la zeppa, tirare verso l'alto lo pneumatico separandolo dalla ruota in plastica e spingere vigorosamente la zeppa fra pneumatico e ruota. La superficie liscia del lato inferiore della zeppa va inserita per prima, dall'esterno verso l'interno delle ruote del pulitore. **Vedere figura 21.** Assicurarsi che le scanalature della ruota di plastica e quelle del lato inferiore della zeppa si incastrino fra loro.
2. Spingere la zeppa verso la parte anteriore del corpo del pulitore, finché non sia alloggiata saldamente dietro il bordo dello pneumatico in gomma. **Vedere figura 20.**

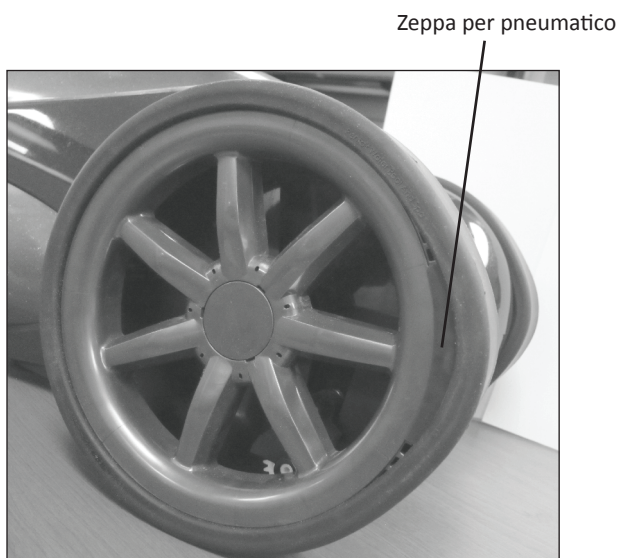


Figura 20.



Figura 21.

SAVE THESE INSTRUCTIONS !



PENTAIR AQUATIC SYSTEMS

INDUSTRIEPARK WOLFSTEE, TOEKOMSTLAAN 30, 2200 HERENTALS - BELGIUM, WWW.PENTAIRPOOLEUROPE.COM

Copyright – Limited License: except as specifically permitted herein, no portion of the content on this document may be reproduced in any form or by any mean without the prior written permission of Pentair International SRL.

Copyright – Eingeschränkte Lizenz: soweit hierin nicht ausdrücklich zugelassen, dürfen die Inhalte dieses Dokuments ohne vorausgehende schriftliche Genehmigung der Pentair International SRL weder ganz noch auszugsweise und in gleich welcher Form und mit welchen Mitteln vervielfältigt werden.

Copyright – Beperkte licentie: behalve zoals hierin specifiek toegestaan, mag geen enkel deel van de inhoud van dit document op om het even welke manier of hoe dan ook gereproduceerd worden zonder de voorafgaande schriftelijke toestemming van Pentair International SRL.

Copyright – Licence limitée: sauf expressément autorisé ci-après, aucune partie du contenu de ce document ne peut être reproduite sous toute forme ou par tout moyen sans la permission écrite préalable de Pentair International SRL.

Copyright – Licencia limitada: salvo en lo expresamente permitido en el presente documento, se prohíbe la reproducción total o parcial del mismo por cualquier medio sin la previa autorización por escrito de Pentair International SRL.

Copyright – Licenza limitata: se non indicato specificatamente di seguito, nessuna porzione del contenuto di questo documento può essere riprodotta in qualsiasi forma o con qualsiasi mezzo senza preventiva autorizzazione scritta di Pentair International SRL.