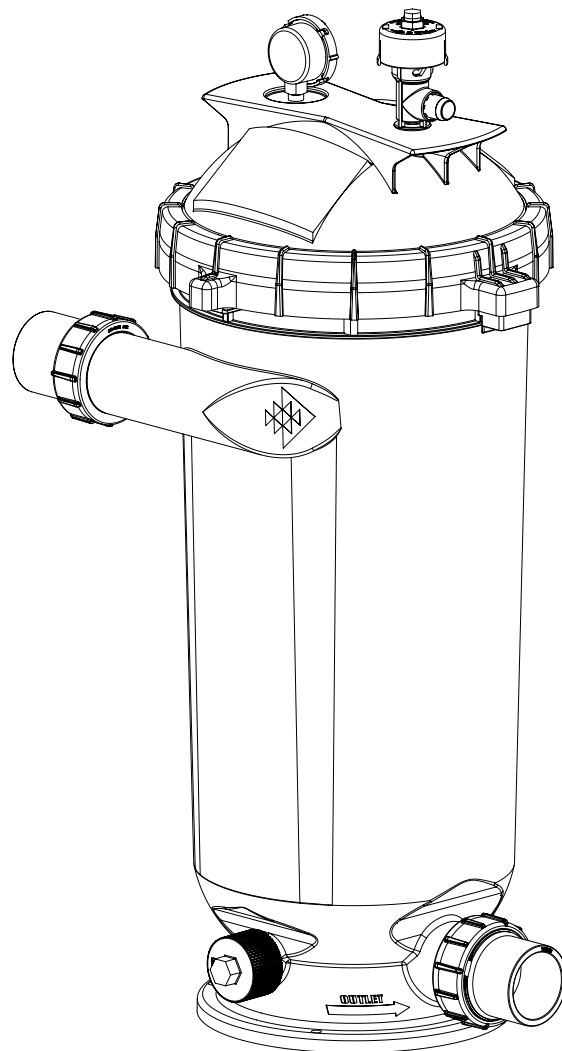




POSI-CLEARTM RP CARTRIDGE FILTER

INSTALLATION GUIDE / INSTALLATIEHANDLEIDING
BEDIENUNGSANLEITUNG / GUIDE DE L'INSTALLATION
GUIA DE INSTALACION / GUIDE ALL'INSTALLAZIONE



English
2

Deutsch
6

Nederlands
16

Français
23

Español
30

Italiano
37

IMPORTANT SAFETY INSTRUCTIONS READ AND FOLLOW ALL INSTRUCTIONS SAVE THESE INSTRUCTIONS

Customer Support
HERENTALS, BELGIUM (8:30 A.M. to 4:30 P.M.) CET

Website: www.pentairpooleurope.com
E-mail : poolemea@pentair.com

The manufacturer, Pentair Water Belgium BVBA, has the right to modify the products without previous notice for as far as their characteristics are not really changed by this.

© 2012 Pentair. All rights reserved. This document is subject to change without notice.

Trademarks and disclaimers: High Flo™, Posi-Clear™ and Pentair ® are trademarks and/or registered trademarks of Pentair and/or its affiliated companies in the United States and/or other counties.

Warranty conditions: please visit our website www.pentairpooleurope.com

IMPORTANT SAFETY PRECAUTIONS

THESE OPERATING INSTRUCTIONS CONTAIN IMPORTANT INFORMATION ON THE SAFE, PROPER AND ECONOMICAL OPERATION OF THIS SWIMMING POOL APPLIANCE. STRICT OBSERVATION OF THE OPERATING INSTRUCTIONS WILL HELP TO AVOID DANGERS, REDUCE REPAIR COSTS, SHUTDOWN TIMES AND INCREASE THE RELIABILITY AND WORKING LIFE OF THE PRODUCT.

Section 1.

FILTER INSTALLATION

A. GENERAL INFORMATION

1. The filter should be mounted on a level concrete slab. Position the tank so that the instructions, warnings and pressure gauge are visible to the operator. Also, position the filter so that the piping connections, control valve and drain port are convenient and accessible for servicing and winterizing.
2. Install electrical controls (e.g., on/off switches, timers control systems, etc.) at least 1.5 meter from the tank, with enough room to stand clear of the filter during system start up.
3. Provide sufficient clearance around the filter to permit visual verification that the clamp is properly installed, see Figure 1.
4. Provide sufficient space above the filter to remove the filter lid for cleaning and servicing. This distance will vary with the model of filter you are using. See table 1, for the required vertical distance.

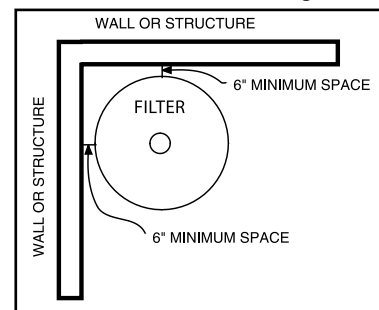


Figure 1.

⚠ WARNING



Risk of electrical shock or electrocution. Position the filter and High Flow™ manual air relief valve to safely direct water drainage and purged air or water. Water discharged from an improperly positioned filter or valve can create an electrical hazard that can cause severe personal injury as well as damage property.

5. When installing the High Flow™ manual air relief valve use the O-ring only, there is no need for thread sealing compounds. Position the filter to safely direct water drainage. Rotate the valve to safely direct purged air or water. Water discharged from an improperly positioned filter or valve can create an electrical hazard as well as damage property.
6. Make all plumbing connections in accordance with local plumbing and building codes. Plumbing connections are provided with an O-ring seal. Use only a silicone base lubricant on the O-rings. Do not use pipe joint compound, glue or solvent on the bulkhead connections.
7. The base of the filter is provided with four (4) mounting bosses for the purpose of anchoring the tank to the concrete.
8. The maximum working pressure of the filter is 3.5BAR (50 psi). Never subject the filter to pressure in excess of this amount, even when conducting hydrostatic pressure tests. Pressures above 3.5BAR (50 psi) can cause the lid to be blown off, which can result in severe injury, death or property damage.

When performing hydrostatic pressure tests or when testing for external leaks of the completed filtration and plumbing system, ensure that the Maximum Pressure that the filtration system will be subjected to DOES NOT EXCEED THE MAXIMUM WORKING PRESSURE OF ANY OF THE COMPONENTS CONTAINED WITHIN THE SYSTEM. In most cases, the maximum pressure will be stated on each component of the system.

If doubt exists as to the pressure to which the system will be subjected, install an ASME approved automatic Pressure Relief or Pressure Regulator in the circulation system for the lowest working pressure of any of the components in the system.

| Model | Size | Vertical Clearance Limit |
|-----------|------------|--------------------------|
| PXC-RP100 | 100 sq.ft. | 154 cm |
| PXC-RP150 | 150 sq.ft. | 193 cm |
| PXC-RP200 | 200 sq.ft. | 193 cm |

Section 2.

FILTER OPERATION

⚠ WARNING



THE FILTER OPERATES UNDER HIGH PRESSURE. WHEN ANY PART OF THE CIRCULATING SYSTEM (e.g., LOCK RING, PUMP, FILTER, VALVES, ETC.) IS SERVICED, AIR CAN ENTER THE SYSTEM AND BECOME PRESSURIZED. PRESSURIZED AIR CAN CAUSE THE LID TO BLOW OFF WHICH CAN RESULT IN SEVERE INJURY, DEATH, OR PROPERTY DAMAGE. TO AVOID THIS POTENTIAL HAZARD, FOLLOW THESE INSTRUCTIONS

1. BEFORE REPOSITIONING VALVES AND BEFORE BEGINNING THE ASSEMBLY, DISASSEMBLY, OR ADJUSTMENT OF THE LOCK RING OR ANY OTHER SERVICE OF THE CIRCULATING SYSTEM: (A) TURN THE PUMP OFF AND SHUT OFF ANY AUTOMATIC CONTROLS TO ASSURE THE SYSTEM IS NOT INADVERTENTLY STARTED DURING THE SERVICING; (B) OPEN AIR RELIEF VALVE; AND (C) WAIT UNTIL ALL PRESSURE IS RELIEVED -PRESSURE GAUGE MUST READ ZERO (0).
2. WHENEVER INSTALLING THE LOCK RING, FOLLOW THE FILTER LOCK RING INSTALLATION INSTRUCTIONS EXACTLY.
3. ONCE SERVICE ON THE CIRCULATING SYSTEM IS COMPLETE, FOLLOW SYSTEM RESTART INSTRUCTIONS EXACTLY.
4. MAINTAIN CIRCULATION SYSTEM PROPERLY. REPLACE WORN OR DAMAGED PARTS IMMEDIATELY (e.g., lock ring, pressure gauge, relief valve, O-rings, etc.)
5. BE SURE THAT THE FILTER IS PROPERLY MOUNTED AND POSITIONED ACCORDING TO THE INSTRUCTIONS PROVIDED.

A. GENERAL INFORMATION

1. The filter operates under pressure. When the lock ring is installed properly and operated without air in the water system, the filter will operate in a safe manner.
2. **⚠ WARNING!** The maximum working pressure of the filter is 3.5 BAR (50 psi). Never subject the filter to pressure in excess of this amount - even when conducting hydrostatic pressure tests. Pressures above 3.5 BAR (50 psi) can cause lid to be blown off, which can result in serious injury, death or property damage.

When performing hydrostatic pressure tests or when testing for external leaks of the completed filtration and plumbing system, ensure that the Maximum Pressure that the filtration system will be subjected to DOES NOT EXCEED THE MAXIMUM WORKING PRESSURE OF ANY OF THE COMPONENTS CONTAINED WITHIN THE SYSTEM. In most cases, the maximum pressure will be stated on each component of the system.

If doubt exists as to the pressure to which the system will be subjected, install an ASME approved automatic Pressure Relief or Pressure Regulator in the circulation system for the lowest working pressure of any of the components in the system.

3. The pressure gauge is the primary indicator of how the filter is operating. Maintain your pressure gauge in good working order.

⚠ WARNING



Your filter is a piece of machinery, do not tamper with it, attempt to disassemble it or otherwise adjust it unless you fully understand it's operation. Serious injury or death can occur if the equipment is improperly handled. Consult a pool service professional for maintenance and service assistance.

4. Clean your filter when pressure reads between 0.5 - 0.8 BAR (8-10 psi) higher than the original starting pressure. Your filter pressure reading will increase as it removes dirt from your pool. However, this buildup of pressure will vary due to different bathing loads, temperature, weather conditions, etc.

MY ORIGINAL STARTING PRESSURE IS _____ BAR or PSI

I SHOULD CLEAN THE FILTER CARTRIDGES AT _____ BAR or PSI

NOTE

When the cartridge element filter is used on new pools and after cleaning the elements, introduce into the system 0.25 Kg of diatomaceous earth per every 100 square feet of filter area, (a one-pound coffee can equals 0.25 Kg of diatomaceous earth). Mix the diatomite with water and pour it into the skimmer after the pump is primed and the system is operating. This will enhance the filtration of your water.

B. LOCK RING INSTALLATION INSTRUCTIONS

These instructions **MUST BE FOLLOWED EXACTLY** to prevent the lid from blowing off during system restart or later operation.

1. Perform the following steps before working on any part of the circulating system (e.g., lock ring, pump, filter, valves, etc.).
 - a. Turn the pump off and shut off any automatic controls to ensure that the system is not inadvertently started during servicing.
 - b. Open the High Flow™ manual air relief valve.
 - c. Wait until all pressure is relieved. **Never attempt to assemble, disassemble or adjust the filter lock ring while there is any pressure in the tank.**

⚠ WARNING



THE FILTER OPERATES UNDER HIGH PRESSURE. WHEN ANY PART OF THE CIRCULATING SYSTEM (e.g., LOCK RING, PUMP, FILTER, VALVES, ETC.) IS SERVICED, AIR CAN ENTER THE SYSTEM AND BECOME PRESSURIZED. PRESSURIZED AIR CAN CAUSE THE LID TO BE BLOWN OFF WHICH CAN RESULT IN SEVERE INJURY, DEATH, OR PROPERTY DAMAGE. TO AVOID THIS POTENTIAL HAZARD, FOLLOW THESE INSTRUCTIONS.

2. Be certain the O-ring is in position in the lower tank half. Place the filter lid over the lower tank half, making sure it is fully and firmly seated on the tank half, see Figure 2.
3. Place lock ring over the tank lid, and centering the lock ring on the threads of the tank body. Turn the lock ring clockwise until the safety latches click and the lock ring hits the stops on the body. **DO NOT ATTEMPT TO OVER-TIGHTEN THE LOCK RING AFTER LOCK RING HAS HIT THE STOPS ON THE BODY.**
4. Follow the System Restart Instructions in Section C

C. SYSTEM RESTART INSTRUCTIONS

⚠ WARNING



THE TANK SEPARATION OPERATES UNDER HIGH PRESSURE. WHEN ANY PART OF THE CIRCULATING SYSTEM (e.g., LOCK RING, PUMP, FILTER, VALVES, ETC.) IS SERVICED, AIR CAN ENTER THE SYSTEM AND BECOME PRESSURIZED. PRESSURIZED AIR CAN CAUSE THE LID TO BE BLOWN OFF WHICH CAN RESULT IN SEVERE INJURY, DEATH, OR PROPERTY DAMAGE. TO AVOID THIS POTENTIAL HAZARD, FOLLOW THESE INSTRUCTIONS.

1. **Open the High Flow™ manual air relief valve until it snaps into the full open position (this only requires a quarter turn counterclockwise).** Opening this valve rapidly releases air trapped in the tank.
2. Stand clear of the tank, then start the pump.
3. Close the High Flow™ manual air relief valve after a steady stream of water appears.
4. The system is not working properly if either of the following conditions occur.
 - a. A solid stream of water does not appear within 30 seconds, after the pump's inlet basket fills with water.
 - b. The pressure gauge indicates pressure before water outflow appears.

If either condition exists, **shut off the pump immediately**, open valves in the water return line to relieve pressure, and clean the air relief valve, see Section F. Cleaning the High Flow™ manual air relief valve.

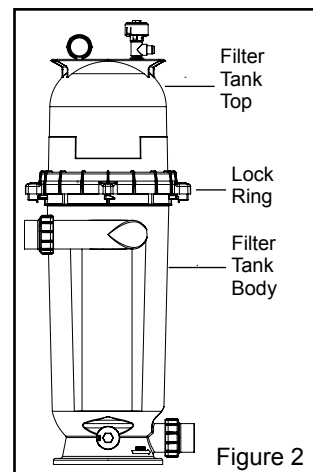


Figure 2

D. CLEANING THE FILTER

⚠ WARNING

The following information should be read carefully since it outlines the proper manner of care and operation for your filter system. As a result of following these instructions and taking the necessary preventative care, you can expect maximum efficiency and life from your filter system.



⚠ CAUTION

Please read all manufacturers' posted instructions, warnings and cautions when using Baquacil®.

1. Turn the pump off, shut off any automatic controls to ensure that the system is not inadvertently started during servicing.
2. Open the filter High Flow™ manual air relief valve, (and the waste drain valve, or cap, if your system has one).

NOTE

Special care must be taken when cleaning cartridge element used in a swimming pool or spa using Baquacil® as a sanitizer. Because of the way Baquacil® works, the cartridge element must be cleaned more thoroughly and more frequently than in a chlorine system. If extreme care is not taken to completely remove all residue from the cartridge element, a buildup will occur. This buildup will significantly shorten the life of the cartridge element.

Baquacil® is a mild coagulant which combines bacterial cells as well as other small particles contributed by the environment, bathers, etc. into particles large enough to be trapped by the filter. In comparison with all other trapped contaminants in a typical pool or spa the amount of bacterial cells that are deposited on the filter is minimal. The resulting deposit is a gray sticky film which can only be removed with Baquacil®. If TSP or any TSP type cleaner is used prior to stripping the film, the cleaner and the gray film will combine to form a gum-like substance. Once this occurs, the substance cannot be removed from the media and the cartridge element must be replaced.

3. Remove hair and lint strainer pot lid and clean basket. Replace basket and secure lid.
4. Disconnect air relief hose if installed.
5. Remove locking ring by depressing safety latches on both sides of ring and rotate counterclockwise, then remove tank lid.
6. Remove the element assembly by placing hands in lifting handles and pulling straight up on the element assembly.
7. Remove the cartridge element from the center support tube.
8. Using a garden hose with a nozzle, direct water spray at the cartridge element to dislodge and wash away accumulated foreign matter. Water may be sprayed at the outside as well as the inside of the cartridge element for thorough cleaning.
9. Turn the cartridge element over several times during the washing operation to clean the media thoroughly.
10. Clean and remove debris from inside the filter tank and from the O-ring and O-ring groove on the tankbody.
11. Replace clean cartridge element on support tube and install assembly into the filter tank body, aligning the arrow on the support tube with the inlet port of the filter, making sure it is fully seated. Make sure the internal air relief screen is attached to the top of the element support tube.
12. Replace the tank lid onto the tank body making sure it is fully and firmly seated on the tank body.
13. Place lock ring over tank lid, and centering the lock ring on the threads of the tank body, turn the lock ring clockwise until the safety latches click and the lock ring hits the stops on the body. **DO NOT ATTEMPT TO OVER-TIGHTEN THE LOCK RING AFTER LOCK RING HAS HIT THE STOPS ON THE BODY.**

NOTE

Any time the filter tank is opened, and/or element assembly is removed, be sure to generously coat the O-ring with silicone lubricant before reassembling the unit. **DO NOT USE PETROLEUM BASED LUBRICANTS BECAUSE THEY HAVE A DETERIORATING EFFECT ON RUBBER.**

12. Replace drain cap and reinstall High Flow™ manual air relief valve drain hose if used.

E. REPLACING CARTRIDGE ELEMENT

Cartridge element life will vary with pool conditions such as bather load, wind, dust, etc. You can expect an average media life of three (3) years under normal conditions.

F. CLEANING THE HIGH FLOW™ MANUAL AIR RELIEF VALVE

1. Turn the pump off and shut off any automatic controls to ensure that the system is not inadvertently started during servicing.
2. **OPEN THE HIGH FLOW™ MANUAL AIR RELIEF VALVE UNTIL IT SNAPS INTO THE FULL OPEN POSITION, THEN WAIT UNTIL ALL PRESSURE IS RELIEVED.**
3. With the relief valve attached to the filter tank, pull out the locking tabs and remove the valve stem and cover assembly with a counterclockwise and lifting motion, see Figure 3.
4. Clean debris from the valve stem and body. Verify that the filter tank's air passage is open by inserting a 5/16 in. drill bit through the valve body. Verify that the O-ring are in good condition, properly positioned, and lubricated with a silicone base lubricant.
5. Reinstall the valve stem and cover assembly with a downward and clockwise motion until it snaps into position.

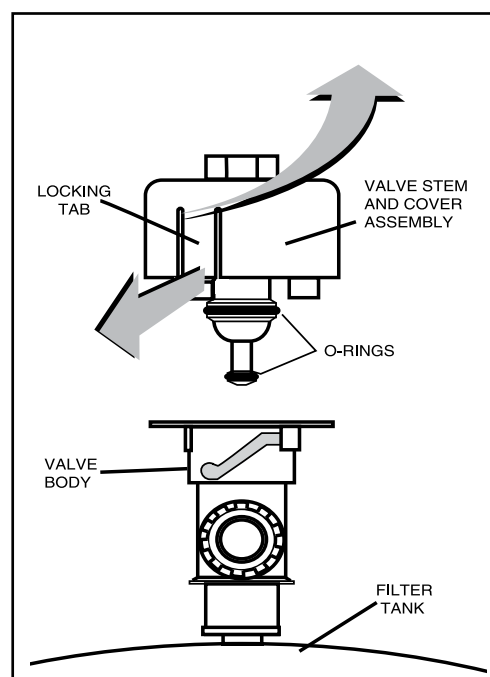


Figure 3.

LIMITED WARRANTY : 2 YEARS

Further details : www.pentairpooleurope.com

Section 3.

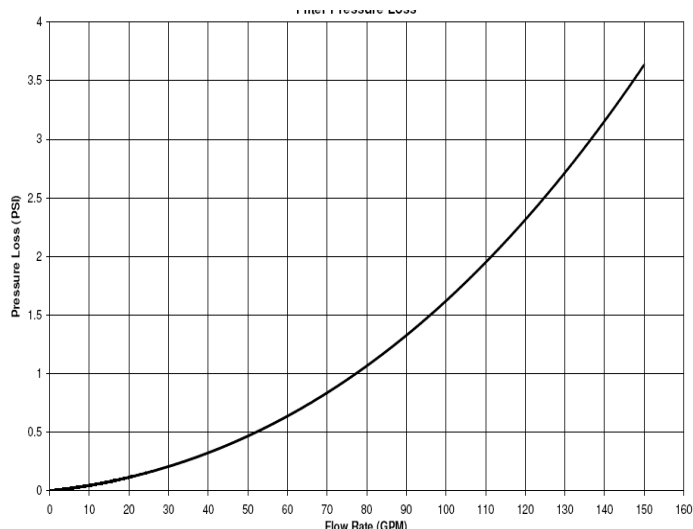
TROUBLESHOOTING

- A. Air entering your filter is dangerous and can cause the lid to blow off. Correct any conditions in your filtration system that allow air to enter the system.
1. Some common ways to identify air entering the system:
 - a. Low water level in pool or spa - skimmer is starving for water with pump running. Add water to pool or spa.
 - b. Air bubbles or low water level in pump hair and lint pot are caused by; low water level, clogged skimmer basket, split suction cleaner hose, leak in pump hair and lint pot lid, or leak in pump suction line.
 - c. Air bubbles coming out of water return lines into pool or spa with pump running, see items 1.a and 1.b of this section.
 - d. Air is discharged from the air relief valve on top of the filter when the valve is opened with the pump running, see items 1.a and 1.b of this section, above.
- B. Until the water initially put into the pool has been completely filtered, short filter cycles in between cleanings are normal. In most cases pool owners are dismayed by the undesirable color and appearance of water in a newly filled pool. Plaster dust can be responsible for short filter cycles, requiring frequent cleaning.
- C. If pressure drops on gauge, check skimmer basket and pump basket first for debris. If the baskets are clean, shut off power to pump and turn off any automatic controls. Then turn motor shaft with your fingers. If it turns freely then the pump must be disassembled and the impeller checked to see if it is clogged. If it is not frozen or clogged then there is an obstruction in the line between the pool and the pump.
- D. The pressure gauge is an important part of the filter. It is your primary indicator of how the system is operating. Maintain your pressure gauge in good working order. Check the operation of your pressure gauge in the following manner:
1. The pressure gauge should go to zero (0) when the system is turned off and pressure is relieved.
 2. The pressure gauge should indicate pressure when the system is operating.
 3. The pressure gauge should be readable and not damaged in any way.
 4. Replace the pressure gauge if it is not meeting the requirements of items D.1 through D.2 of this section, above.

Section 4.

TECHNICAL DATA

A. Filter Pressure Loss Chart.



B. Flow Rate Table.

| Model # | sq.ft. | M ² | m ³ /h | Residential Maximum Cartridge Flow Rates | |
|------------|--------|----------------|-------------------|--|--------|
| | | | | 6 hour | 8 hour |
| PXC -RP100 | 100 | 9.3 | 11.4 | 68.40 | 91.20 |
| PXC-RP150 | 150 | 13.9 | 17.0 | 102.00 | 136.00 |
| PXC-RP200 | 200 | 18.6 | 22.7 | 136.20 | 181.60 |

(1) Recommended flow rate for residential is 0.5 GPM per Sq.Ft.

Note : Actual system flow will depend on plumbing size and other system components.

Kundendienst
HERENTALS, BELGIEN (8:30h - 16:30h) MEZ

Webseite: www.pentairpooleurope.com
E-mail : poolemea@pentair.com

Der Hersteller, Pentair Water Belgium BVBA, hat das Recht, die Produkte ohne vorherige Mitteilung zu ändern, sofern ihre Eigenschaften dadurch nicht verändert werden.

© 2012 Pentair. Alle Rechte vorbehalten. Änderungen vorbehalten.

Marken und Haftungsausschluss: High Flo™, Posi-Clear™ und Pentair® sind Marken und/oder eingetragene Marken von Pentair und/oder ihren verbundenen Unternehmen in den Vereinigten Staaten und/oder anderen Ländern.

Gewährleistungsbedingungen: Bitte besuchen Sie unsere Webseite www.pentairpooleurope.com

WICHTIGE SICHERHEITSHINWEISE

DIE BETRIEBSANLEITUNG ENTHÄLT WICHTIGE HINWEISE, UM DIESE APPARATE SICHERSACHGERECHT UND WIRTSCHAFTLICH ZU BETRIEBEN. IHRE BEACHTUNG HILFT GEFAHREN ZU VERMEIDEN, REPARATURKOSTEN UND AUSFALLZEITEN ZU VERMINDERN UND DIE ZUVER-LÄSSIKETI UND LEBENSDAUER ZU ERHÖREN.

Abschnitt 1.

INSTALLATION DES FILTERS

A. ALLGEMEINE INFORMATIONEN

- Das filter sollte auf eine ebene Betonplatte montiert werden. Positionieren Sie den Behälter, so dass die Anweisungen, Warnungen und Druckanzeige für den Bediener sichtbar sind. Beachten Sie bei der Positionierung des Abscheidebehälters auch, dass die Leitungsanschlüsse, Steuerventile und der Abflussanschluss für eine optimale Wartung und Einwinterung zugänglich sind.
- Elektrische Steuerelemente (z.B.: Ein/Aus-Schalter, Zeitschaltsysteme, etc.) sind mindestens mit einem Abstand von 1,5 Meter zum Behälter zu installieren und es muss ausreichend Platz vorhanden sein, damit der Behälter beim Systemstart nicht berührt wird.
- Sorgen Sie für ausreichend Abstand um den Behälter, damit per Sichtprüfung bestätigt werden kann, dass die Klemme ordnungsgemäß installiert ist, siehe Abbildung 1.

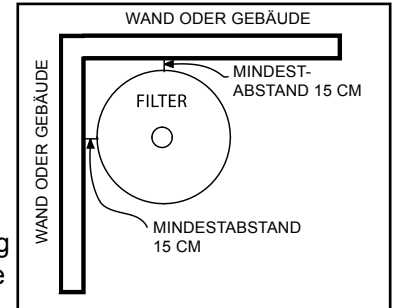


Abbildung 1.

- Sorgen Sie für ausreichend Platz über dem Filter, um den Filterdeckel für die Reinigung und Wartung entfernen zu können. Dieser Abstand variiert mit dem Filtermodell, das Sie benutzen. Tabelle 1 gibt den erforderlichen vertikalen Abstand an.

⚠️ WARNUNG



Gefahr durch elektrischen Strom und Stromschlag. Positionieren Sie den Abscheidebehälter und das manuelle High Flow™ Entlüftungsventil entsprechend, um den Wasserabfluss und die Spülluft sowie das Spülwasser sicher abzuführen. Der Wasserablass eines unangemessen positionierten Behälters oder Ventils kann Stromschläge verursachen, die zu Personenschäden oder Sachschäden führen können.

- Bei der Installation des manuellen High Flow™ Entlüftungsventils dürfen nur O-Ringe verwendet werden. Es ist nicht erforderlich, Gewindedichtmittel zu verwenden. Positionieren Sie den Filter, um den Wasserablass sicher abzuführen. Rotieren Sie das Ventil, um die Spülluft oder das Spülwasser sicher abzuführen. Der Wasserablass eines unangemessen positionierten Filters oder Ventils kann Stromschläge oder Sachschäden verursachen.

| Modell | Grösse | Vertikal erf. Abstand |
|-----------|------------|-----------------------|
| PXC-RP100 | 100 sq.ft. | 154 cm |
| PXC-RP150 | 150 sq.ft. | 193 cm |
| PXC-RP200 | 200 sq.ft. | 193 cm |

- Alle Rohrleitungsanschlüsse sind entsprechend der örtlichen Klempner- und Gebäuderichtlinien auszuführen. Rohrleitungsanschlüsse werden mit einer O-Ring-Dichtung versehen. Verwenden Sie bei den O-Ringen nur Silikon-Schmiermittel. Verwenden Sie keine Dichtmasse, Kleber oder Lösemittel an den Trennwandanschlüssen.
- Das filter verfügt an der Unterseite über vier (4) Montageaufnahmen zur Befestigung des Behälters auf dem Beton.
- Der maximale Arbeitsdruck des Abscheidebehälters beträgt 3.5BAR (50psi). Lassen Sie den Abscheidebehälter niemals über diesem Druck arbeiten, auch nicht bei der Durchführung von hydrostatischen Drucktests. Bei einem Druck über 3.5BAR (50psi) kann der Deckel abgerissen werden und zu schwerwiegenden Verletzungen, zum Tod oder zu Sachschäden führen.

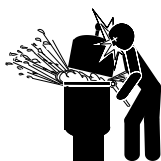
Bei der Durchführung von hydrostatischen Tests oder wenn auf externe Undichtigkeiten der kompletten Filtereinheit und des Rohrleistungssystems geprüft wird, ist sicherzustellen, dass der maximale, auf die Filtereinheit wirkende Druck, NICHT DEN MAXIMALEN ARBEITSDRUCK DER BAUTEILE IM SYSTEM ÜBERSCHREI-TET. In den meisten Fällen wird der maximale Druck auf jedem Bauteil des Systems angegeben.

Sollte nicht klar sein, welchem Druck das System ausgesetzt wird, müssen Sie einen ASME-zertifizierten automatischen Druckbegrenzer oder Druckregler in das Umlaufsystem einbauen, so dass das Bauteil im System mit dem niedrigsten Arbeitsdruck geschützt ist.

Abschnitt 2.

BETRIEB DAS FILTER

⚠ WARNUNG



DAS FILTER ARBEITET BEI HOHEM DRUCK. WENN EIN TEIL DES UMLAUFSYSTEMS (z.B. SICHERUNGSRING, PUMPE, FILTER, VENTILE, USW.) GEWARTET WIRD, KANN LUFT IN DAS SYSTEM GELANGEN UND ZU EINEM DRUCKAUFBAU FÜHREN. DER DRUCK KANN DAZU FÜHREN, DASS DER DECKEL ABGERISSEN WIRD, WAS ZU SCHWEREN VERLETZUNGEN, TOD ODER SACHSCHÄDEN FÜHREN KANN. UM DIESE POTENZIELLE GEFAHR ZU VERMEIDEN, BEFOLGEN SIE DIESE ANWEISUNGEN.

1. VOR DER NEUPOSITIONIERUNG DER VENTILE ODER VOR BEGINN DER MONTAGE, DEMONTAGE ODER EINSTELLUNG DES SICHERUNGSRINGS ODER JEGLICHE SONSTIGE WARTUNGSARBEITEN AM UMLAUFSYSTEM: (A) MUSS DIE PUMPE UND ALLE AUTOMATISCHEN STEUERFUNKTIONEN AUSGESCHALTET WERDEN, UM SICHERZUSTELLEN, DASS DAS SYSTEM WÄHREND DER WARTUNG NICHT UNGEWOLLT STARTET; (B) IST DAS ENTLÜFTUNGSVENTIL ZU ÖFFNEN; UND (C) MUSS GEWARTET WERDEN, BIS DER GESAMTE DRUCK ABGELASSEN WURDE – DIE DRUCKANZEIGE MUSS NULL (0) ANZEIGEN.
2. BEI DER INSTALLATION DES SICHERUNGSRINGS IST DIE EINBAUANWEISUNG DES SICHERUNGSRINGS FÜR DEN FILTER GENAU ZU BEACHTEN.
3. SOBALD DIE WARTUNG AM UMLAUFSYSTEM ABGESCHLOSSEN IST, IST DIE ANWEISUNG FÜR DEN NEUSTART DES SYSTEMS GENAU ZU BEACHTEN.
4. DAS UMLAUFSYSTEM IST ORDNUNGSGEMÄSS ZU WARTEN. VERSCHLISSENE ODER BESCHÄDIGTE TEILE SIND SOFORT AUSZUTAUSCHEN (z.B. Sicherungsring, Druckanzeige, Ablassventil, O-Ringe, etc.)
5. STELLEN SIE SICHER, DASS DAS FILTER GEMÄSS DEN ANWEISUNGEN ORDNUNGSGEMÄSS MONTIERT UND POSITIONIERT IST.

A. ALLGEMEINE INFORMATIONEN

1. Das filter arbeitet unter Druck. Wenn der Sicherungsring ordnungsgemäß installiert wurde und keine Luft im Wassersystem vorhanden ist, arbeitet das filter sicher.
2. **⚠ ACHTUNG!** Der maximale Arbeitsdruck das filter 3,5 bar (50psi). Lassen Sie den Behälter niemals über diesem Druck arbeiten, auch nicht bei der Durchführung von hydrostatischen Drucktests. Bei einem Druck über 3,5bar (50psi) kann der Deckel abgerissen werden und zu schwerwiegenden Verletzungen, zum Tod oder zu Sachschäden führen.

Bei der Durchführung von hydrostatischen Tests oder wenn auf externe Undichtigkeiten der kompletten Filtereinheit und des Rohrleistungssystems geprüft wird, ist sicherzustellen, dass der maximale, auf die Filtereinheit wirkende Druck, NICHT DEN MAXIMALEN ARBEITSDRUCK DER BAUTEILE IM SYSTEM ÜBERSCHREI-TET. In den meisten Fällen wird der maximale Druck auf jedem Bauteil des Systems angegeben.

Sollte nicht klar sein, welchem Druck das System ausgesetzt wird, müssen Sie einen ASME-zertifizierten au-tomatischen Druckbegrenzer oder Druckregler in das Umlaufsystem einbauen, so dass das Bauteil im System mit dem niedrigsten Arbeitsdruck geschützt ist.

3. Die Druckanzeige ist der wichtigste Indikator hinsichtlich des Betriebs das filter. Halten Sie den Druckanzeiger in einwandfreiem Zustand.

⚠ WARNUNG



Ihre Abscheidebehälter ist eine Maschine; manipulieren Sie das Gerät nicht, versuchen Sie nicht es zu demontieren oder anderweitig einzustellen, wenn Sie nicht umfassend mit dem Betrieb vertraut sind. Eine unsachgemäße Nutzung der Anlage kann zu ernsthaften Verletzungen oder zum Tod führen. Nehmen Sie für die Wartung und Hilfe beim Service Kontakt mit einem Schwimmbadbauer auf.

4. Reinigen Sie Ihren Filter, wenn der Druck zwischen 0,5 - 0,8 bar (8 - 10 psi) höher liegt, als der ursprüngliche Startdruck. Der Druck in Ihrem Filter steigt mit der Zeit an, wenn Schmutz aus Ihrem Pool herausgefiltert wird. Diese Schmutzansammlung variiert jedoch abhängig von der Nutzung des Schwimmbads, der Temperatur, den Wetterbedingungen, etc.

MEIN URSPRÜNGLICHER STARTDRUCK BETRÄGT _____ BAR oder PSI

ICH SOLLTE DIE FILTERKARTUSCHE BEI EINEM DRUCK VON _____ BAR oder PSI REINIGEN

HINWEIS

Bei der Anwendung des Kartuschenfilters in neuen Pools sowie nach der Reinigung der Elemente füllen Sie pro 5 m² Filterfläche 180 g Kieselgur in die Anlage (Kieselgur ist etwa halb so schwer wie Kaffee). Mischen Sie den Diatomit mit Wasser und leeren Sie ihn in den Siphon nachdem die Pumpe angesaugt hat und das System in Betrieb ist. Dadurch wird die Filtration des Wassers verbessert.

B. INSTALLATIONSANWEISUNGEN DES SICHERUNGSRINGES

Diese Anweisungen MÜSSEN GENAU BEFOLGT WERDEN, um zu verhindern, dass der Deckel beim Systemneustart oder späteren Betrieb abgerissen wird.

1. Führen Sie die folgenden Schritte aus, bevor an Bauteilen des Umlaufsystems (z.B. Sicherungsring, Pumpe, Filter, Ventile, etc.) gearbeitet wird.
 - a. Schalten Sie die Pumpe aus und stellen Sie alle automatischen Steuerfunktionen aus, um sicherzustellen, dass das System während der Wartung nicht ungewollt startet.
 - b. Öffnen Sie das manuelle High Flow™ Entlüftungsventil.
 - c. Warten Sie bis der gesamte Druck abgelassen wurde. **Versuchen Sie niemals, den Sicherungsring für den Filter zu montieren, demontieren oder einzustellen, während der Behälter noch unter Druck steht.**

⚠ WARNUNG



DER BEHÄLTER ARBEITET BEI HOHEM DRUCK. WENN EIN TEIL DES UMLAUFSYSTEMS (z.B. SICHERUNGSRING, PUMPE, FILTER, VENTILE, USW.) GEWARTET WIRD, KANN LUFT IN DAS SYSTEM GELANGEN UND ZU EINEM DRUCKAUFBAU FÜHREN. DER DRUCK KANN DAZU FÜHREN, DASS DER DECKEL ABGERISSEN WIRD, WAS ZU SCHWEREN VERLETZUNGEN, TOD ODER SACHSCHÄDEN FÜHREN KANN. UM DIESE POTENZIELLE GEFAHR ZU VERMEIDEN, BEFOLGEN SIE DIESE ANWEISUNGEN.

2. Stellen Sie sicher, dass der O-Ring in der unteren Behälterhälfte in Position ist. Platzieren Sie den Filterdeckel über die untere Behälterhälfte, wobei darauf zu achten ist, dass er vollständig und fest auf der Behälterhälfte sitzt, siehe Abbildung 2.
3. Platzieren Sie den Sicherungsring über den Behälterdeckel und richten Sie den Sicherungsring mittig auf den Gewinden des Behältergehäuses aus. Drehen Sie den Sicherungsring im Uhrzeigersinn bis die Sicherungslaschen einrasten und der Sicherungsring am Anschlag des Gehäuses anschlägt. **VERSUCHEN SIE NICHT DEN SICHERUNGSRING ZU ÜBERDREHEN, NACHDEM ER DEN ANSCHLAG AM GEHÄUSE ERREICHT HAT.**
4. Beachten Sie die in Abschnitt C beschriebene Anweisung für den Neustart des Systems.

C. ANWEISUNGEN FÜR DEN NEUSTART DES SYSTEMS

⚠ WARNUNG



DAS FILTER ARBEITET BEI HOHEM DRUCK. WENN EIN TEIL DES UMLAUFSYSTEMS (z.B. SICHERUNGSRING, PUMPE, FILTER, VENTILE, USW.) GEWARTET WIRD, KANN LUFT IN DAS SYSTEM GELANGEN UND ZU EINEM DRUCKAUFBAU FÜHREN. DER DRUCK KANN DAZU FÜHREN, DASS DER DECKEL ABGERISSEN WIRD, WAS ZU SCHWEREN VERLETZUNGEN, TOD ODER SACHSCHÄDEN FÜHREN KANN. UM DIESE POTENZIELLE GEFAHR ZU VERMEIDEN, BEFOLGEN SIE DIESE ANWEISUNGEN.

1. **Öffnen Sie das manuelle High Flow™ Entlüftungsventil bis dieses vollständig geöffnet ist (hierfür ist nur eine Viertelumdrehung gegen Uhrzeigersinn erforderlich).** Durch das Öffnen des Ventils entweicht die im Behälter vorhandene Luft schnell.
2. Halten Sie einen Abstand zum Behälter ein und starten Sie dann die Pumpe.
3. Schließen Sie das HighFlow™ Entlüftungsventil, wenn ein stetiger Wasserfluss austritt.
4. Das System arbeitet nicht ordnungsgemäß, wenn eine der folgenden Zustände auftritt.
 - a. Wenn innerhalb von 30 Sekunden kein stetiger Wasserfluss austritt, nachdem der Zulaufkorb der Pumpe sich mit Wasser gefüllt hat.
 - b. Wenn die Druckanzeige einen Druck anzeigt, bevor Wasser austritt.

Wenn beide Zustände eintreten, **muss sofort die Pumpe ausgeschaltet werden**; die Ventile der Wasserrückflussleitung geöffnet werden, um den Druck entweichen zu lassen; und das Entlüftungsventil gereinigt werden, siehe Abschnitt F. Reinigung des manuellen High Flow™ Entlüftungsventils.

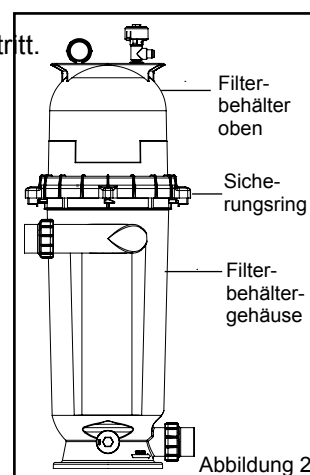


Abbildung 2

D. REINIGUNG DES FILTERS

⚠️ WARNUNG

Die folgenden Informationen sollten aufmerksam gelesen werden, da hier die ordnungsgemäße Pflege und der richtige Betrieb Ihres Filter beschrieben wird. Wenn Sie diese Anweisungen befolgen und das System entsprechend pflegen, wird das Filter eine maximale Leistung erbringen und lange Nutzungsdauer aufweisen.



⚠️ VORSICHT

Bitte befolgen Sie alle angegebenen Anweisungen sowie Warnungs- und Achtungsmeldungen des Herstellers bei der Verwendung von Baquacil®.

1. Schalten Sie die Pumpe aus und stellen Sie alle automatischen Steuerfunktionen aus, um sicherzustellen, dass das System während der Wartung nicht ungewollt startet.
2. Öffnen Sie das manuelle High Flow™ Entlüftungsventil (und das Abflussventil, oder die Kappe, falls Ihr System damit ausgestattet ist).

HINWEIS

Gehen Sie besonders sorgfältig vor, wenn Sie ein Kartuschelement reinigen, das in einem Swimming Pool oder Bad verwendet wird, wo Baquacil® als Desinfektionsmittel benutzt wird. Aufgrund der Funktionsweise von Baquacil® muss das Kartuschelement sorgfältiger und häufiger gereinigt werden als in einem Chlor-system. Wenn bei der kompletten Entfernung der Rückstände aus dem Kartuschelement nicht extreme Sorgfalt angewendet wird, kommt es zu Ablagerungen. Solche Ablagerungen vermindern die Lebensdauer des Kartuschelements beträchtlich. Baquacil® ist ein milder Koagulator, der Bakterienzellen sowie andere Kleinpartikel, die aus der Umgebung, von Badegästen usw. stammen, zu Partikeln zusammenfügt, die groß genug sind, dass sie vom Filter aufgefangen werden können. Verglichen mit allen anderen aufgefangenen Verunreinigungen in einem typischen Swimming Pool oder Bad, ist die Anzahl von bakteriellen Zellen, die auf dem Filter abgelegt werden, minimal. Die daraus resultierende Ablagerung besteht aus einem zähen grauen Film, der nur mit Baquacil® entfernt werden kann. Wenn vor der Entfernung des Films Natriumphosphat oder ein Reiniger auf Basis von Natriumphosphat verwendet wird, verschmelzen der Reiniger und der graue Film und bilden eine gummiartige Substanz. Wenn das passiert, kann die Substanz nicht von den Medien entfernt werden und das Kartuschelement muss ausgetauscht werden.

3. Entfernen Sie den Deckel vom Haar- und Fusselsieb und reinigen Sie den Korb. Setzen Sie den Korb wieder ein und befestigen Sie den Deckel.
4. Trennen Sie Luftentlastung Schlauch falls installiert
5. Entfernen Sie den Sicherungsring, indem Sie die Sicherungslaschen auf beiden Seiten des Rings niederdrücken und den Ring gegen den Uhrzeigersinn drehen. Nehmen Sie anschließend den Behälterdeckel ab. Entfernen Sie die Elementbaugruppe, indem Sie mit den Händen an den Handgriffen in der Elementbaugruppe gerade nach oben ziehen.
6. Entfernen Sie das Kartuschelement aus dem zentralen Stützrohr.
7. Richten Sie den Strahl eines Gartenschlauchs mit Düse auf das Kartuschelement und waschen Sie abgelagerte Fremdstoffe weg. Zur sorgfältigen Reinigung kann Wasser sowohl auf die Außenseite als auch die Innenseite des Kartuschelements gesprüht werden.
8. Drehen Sie das Kartuschelement während des Waschvorgangs mehrere Male um, um das Medium sorgfältig zu reinigen.
9. Säubern Sie den Filterbehälter und entfernen Sie Verschmutzungen im Inneren des Filterbehälters und an dem O-Ring sowie der Nut für den O-Ring am Behältergehäuse.
10. Montieren Sie das saubere Kartuschelement wieder auf dem Stützrohr und bauen Sie die Baugruppe in das Behältergehäuse ein, richten Sie dabei das Stützrohr mit der Einlassöffnung des Filters aus und vergewissern Sie sich, dass es vollständig aufsitzt. Das interne Luftaustrittssieb muss oben auf das Elementstützrohr aufgesetzt sein.
11. Platzieren Sie den Behälterdeckel wieder auf dem Behältergehäuse, wobei darauf zu achten ist, dass er vollständig und fest auf dem Gehäuse sitzt.
12. Platzieren Sie den Sicherungsring über den Behälterdeckel und richten Sie den Sicherungsring mittig auf den Gewinden des Behältergehäuses aus. Drehen Sie den Sicherungsring im Uhrzeigersinn bis die Sicherungslaschen einrasten und der Sicherungsring am Anschlag des Gehäuses anschlägt. **VERSUCHEN SIE NICHT DEN SICHERUNGSRING ZU ÜBERDREHEN, NACHDEM ER DEN ANSCHLAG AM GEHÄUSE ERREICHT HAT.**
13. Setzen Sie die Abschlusskappe wieder auf und installieren den Abflussschlauch des manuellen High Flow™ Entlüftungsventils, falls verwendet.

HINWEIS

Jedes Mal, wenn der Abscheidebehälter geöffnet und/oder die Abscheidetasche entfernt wurde, muss der O-Ring vor dem Zusammenbau der Einheit großzügig mit Silikon-Schmiermittel geschmiert werden. VERWENDEN SIE KEINE SCHMIERSTOFFE AUF MINERALÖLBASIS, DA DIESE DEN GUMMI ZERSETZEN.

E. AUSTAUSCH DES KARTUSCHENELEMENTS

Die Lebensdauer des Kartuschenelements hängt von Poolbedingungen wie Anzahl der Badegäste, Wind, Staub usw. ab. Unter normalen Bedingungen können Sie mit einer durchschnittlichen Lebensdauer der Medien von drei (3) Jahren rechnen.

E. REINIGUNG DES HIGH FLOW™ ENTLÜFTUNGSVENTILS

1. Schalten Sie die Pumpe aus und stellen Sie alle automatischen Steuerfunktionen aus, um sicherzustellen, dass das System während der Wartung nicht ungewollt startet.
2. **Öffnen Sie das manuelle High Flow™ Entlüftungsventil bis dieses vollständig geöffnet ist UND WARTEN SIE DANN, BIS DER GESAMTE DRUCK ABGELASSEN WURDE.**
3. Während das Entlüftungsventil am Filterbehälter installiert ist, müssen die Sicherungslaschen herausgezogen werden und der Ventilkegel sowie die Abdeckungsbaugruppe durch eine Bewegung gegen den Uhrzeigersinn abgehoben werden, siehe Abbildung 3.
4. Entfernen Sie Schmutz vom Ventilkegel und dem Gehäuse. Überprüfen Sie, dass der Luftkanal des Filterbehälters frei ist, indem Sie ein Bohrerbit mit einem Durchmesser von 8mm durch den Ventilkörper einschieben. Prüfen Sie, ob der O-Ring in gutem Zustand sowie richtig positioniert ist und schmieren Sie diesen mit Silikon-Schmiermittel.
5. Installieren Sie den Ventilkegel und die Abdeckungsbaugruppe, indem Sie die Einheit mit einer Drehung im Uhrzeigersinn einsetzen, bis diese einrastet.

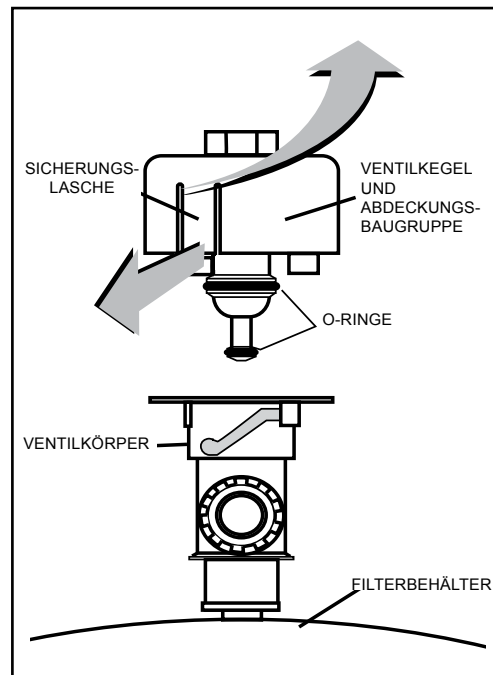


Abbildung 3.

ABSCHNITT 3.

FEHLERBESEITIGUNG

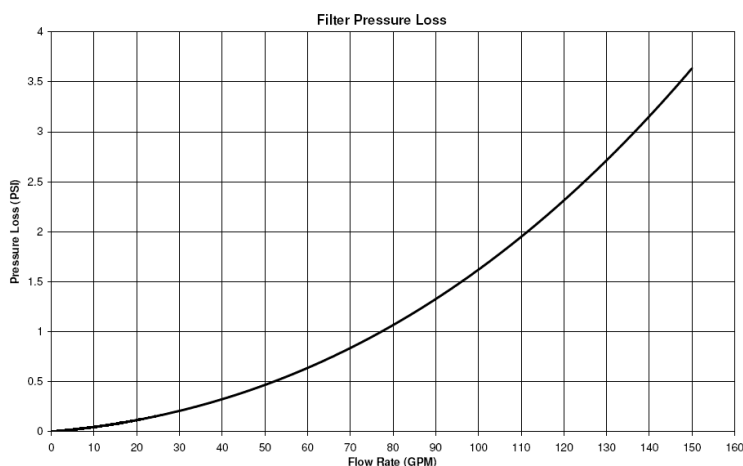
- A. Luft im Filter ist gefährlich und kann dazu führen, dass der Deckel abgerissen wird. Korrigieren Sie alle Zustände in Ihrem Filtersystem, die den Eintritt Luft in das System ermöglichen.
1. Einige häufig angewandten Methoden, um zu erkennen, ob Luft in das System gelangt:
 - a. Niedriger Wasserstand in Pool oder Whirlpool – Skimmer erhält bei laufender Pumpe zu wenig Wasser. Wasser in Pool oder Whirlpool auffüllen.
 - b. Luftblasen oder niedriger Wasserstand im Haar- und Fusselsieb der Pumpe werden verursacht durch: niedrigen Wasserstand, verstopften Skimmerkorb, rissiger Absaugschlauch, Leck in Haar- und Fusselsieb der Pumpe oder Leck in Saugleitung der Pumpe.
 - c. Luftblasen kommen bei laufender Pumpe aus der Wasserrückflussleitung in den Pool oder Whirlpool, siehe Punkte 1.a und 1.b dieses Abschnitts.
 - d. Luft strömt bei laufender Pumpe aus dem geöffneten Entlüftungsventil oben am Filter aus, siehe Punkte 1.a und 1.b dieses Abschnitts.
- B. Bis das ursprünglich in den Swimming Pool eingefüllte Wasser vollständig gefiltert wurde, sind kurze Filtrationszyklen zwischen den Reinigungen normal. In den meisten Fällen sind Poolbesitzer über die unansehnliche Farbe und das Aussehen des Wassers in einem neu gefüllten Pool bestürzt. Gipsstaub kann für kürzere Filterzyklen verantwortlich sein und häufigere Reinigung erforderlich machen.

- C. Wenn der Druck auf dem Manometer fällt, überprüfen Sie zuerst den Siphonkorb auf Fremdstoffe. Wenn die Körbe sauber sind, unterbrechen Sie die Stromversorgung der Pumpe und schalten Sie alle automatischen Steuerungen aus. Drehen Sie dann die Motorwelle mit Ihren Fingern. Wenn sie sich ungehindert bewegen lässt, muss die Pumpe zerlegt und die Welle auf Verstopfungen überprüft werden. Wenn diese nicht blockiert oder verstopft ist, gibt es ein Hindernis im Rohr zwischen Pool und Pumpe.
- D. Die Druckanzeige ist ein wichtiges Teil des Filters. Sie ist der wichtigste Indikator hinsichtlich des Betriebs des Systems. Halten Sie den Druckanzeiger in einwandfreiem Zustand. Prüfen Sie die Funktion Ihrer Druckanzeige auf folgende Art und Weise:
1. Die Druckanzeige sollte null (0) anzeigen, wenn das System ausgeschaltet ist und der Druck abgelassen wurde.
 2. Die Druckanzeige sollte einen Druck anzeigen, wenn das System in Betrieb ist.
 3. Die Druckanzeige muss ablesbar sein und darf keine Beschädigungen aufweisen.
 4. Ersetzen Sie die Druckanzeige, wenn sie nicht die Anforderungen aus den Punkten D.1 bis D.2 dieses Abschnitts erfüllt.

ABSCHNITT 4.

TECHNISCHE DATEN

A. Filterdruckverlustdiagramm.



B. Durchflusstabelle.

| Modell-Nr. | sq.ft. | M ² | Haushalt Maximale Kartuschendurchflussraten | | |
|------------|--------|----------------|--|-----------|-----------|
| | | | m ³ /h | 6 stunden | 8 stunden |
| PXC -RP100 | 100 | 9.3 | 11.4 | 68.40 | 91.20 |
| PXC-RP150 | 150 | 13.9 | 17.0 | 102.00 | 136.00 |
| PXC-RP200 | 200 | 18.6 | 22.7 | 136.20 | 181.60 |

(1)Empfohlene Durchflussrate für Haushaltsanwendung ist 20 l/min pro m² (0,5 GL/min.pro sq. ft.).

HINWEIS: Der tatsächliche Durchfluss der Anlage hängt von der Leitungsgröße und anderen Systemkomponenten ab.

EINGESCHRÄNKTE 2-JÄHRIGE GEWÄHRLEISTUNG

Weiter Details : www.pentairpooleurope.com

Klantendienst
HERENTALS, BELGIE (8u30 tot 16u30) CET

Website: www.pentairpooleurope.com
E-mail : poolemea@pentair.com

De fabrikant, Pentair Water Belgium BVBA, heeft het recht om de producten te wijzigen zonder voorafgaande melding, voor zover hun eigenschappen hierdoor niet wezenlijk veranderd worden.

© 2012 Pentair. Alle rechten voorbehouden. Dit document kan zonder voorafgaande kennisgeving gewijzigd worden.

Handelsmerken en disclaimers: High Flo™, POSI-CLEAR™ en Pentair® zijn handelsmerken en/of gedeponeerde handelsmerken van Pentair en/of hieraan gelieerde ondernemingen in de Verenigde Staten en/of andere landen.

Garantievoorwaarden: surf naar onze website www.pentairpooleurope.com

BELANGRIJKE VEILIGHEIDSVOORZORGEN

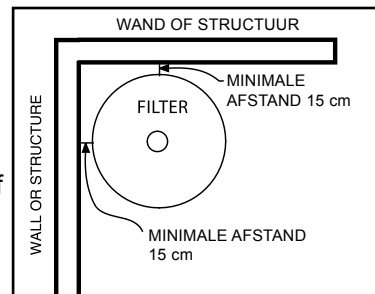
DEZE HANDLEIDING BEVAT BELANGRIJKE INFORMATIE OVER HET VEILIGE, JUISTE EN ZUINIGE GEBRUIK VAN DIT APPARAAT. HET NAUWGEZET OPVOLGEN VAN DE INSTRUCTIES ZAL GEVAARLIJKE SITUATIES HELPEN VOORKOMEN, REPARTIEKOSTEN EN BUITEN BEDRIJF PERIODES HELPEN VERMINDEREN EN DE BETROUWBAARHEID EN LEVENSDUUR VAN HET PRODUCT VERHOGEN.

Afdeling 1

INSTALLATIE VAN DE FILTER

A.ALGEMENE INFORMATIE

1. De filter moet op een vlakke betonnen sokkel worden geïnstalleerd. Plaats de tank zo dat de instructies, de waarschuwingen en de manometer zichtbaar zijn voor de bediener. Plaats de filter ook zo dat de pijpkoppelingen, de regelklep en het afvoerkanaal praktisch en gemakkelijk toegankelijk zijn voor onderhoud en winterbehandeling.
2. Installeer de elektrische bedieningselementen (bv. aan-/uitschakelaars, timers enz.) minimaal 1,5 meter van de tank. Monteer ze zo dat u voldoende ver van de tank staat tijdens het starten van het systeem.
3. Laat voldoende vrije ruimte rond de tank om visueel te kunnen controleren of de klem correct geïnstalleerd is. De afstand verschilt volgens het filtermodel dat u gebruikt. Zie Tabel 1 voor de vereiste verticale speling
4. Laat voldoende vrije ruimte boven de filter om het filterdeksel weg te nemen voor reiniging en onderhoud.



Figuur 1.

⚠ WAARSCHUWING



Gevaar voor elektrische schok of elektrocutie. Plaats de filter en de manuele High Flow™ ontluchtingsklep zo dat afvalwater en lucht veilig worden weggeleid. Water dat wordt afgevoerd uit een verkeerd opgestelde tank of klep kan een elektrisch gevaar vormen met ernstige lichamelijke verwondingen of materiële schade als mogelijke gevolgen.

5. Gebruik bij de installatie van de manuele High Flow™ ontluchtingsklep uitsluitend de O-ring. Draadafdichtingsmiddelen zijn niet nodig. Plaats de filter zodat het afvoerwater veilig wordt weggeleid. Draai de klep zo dat de lucht of het water veilig wordt weggeleid. Water dat wordt afgevoerd uit een verkeerd opgestelde filter of klep kan een elektrisch gevaar vormen en materiële schade veroorzaken.
6. Voer alle pijpkoppelingen uit overeenkomstig de lokale loodgieterij- en bouwvoorschriften. De pijpkoppelingen worden geleverd met een O-ring. Breng alleen een smeermiddel op basis van siliconen aan op de O-ringen. Breng geen afdichtingsmiddel, lijm of oplosmiddel voor pijpkoppelingen aan op de aansluitingen van de tussenschotten.
7. De basis van de filter is voorzien van vier (4) nokken om de tank in het beton te verankeren.
8. De filter heeft een maximale werkdruk van 3,5 bar (50psi). Stel de filter nooit bloot aan een hogere druk, zelfs niet tijdens hydrostatische druktests. Bij drukwaarden hoger dan 3,5 bar (50psi) kan het deksel weggeblazen worden met ernstige of dodelijke verwondingen of materiële schade als mogelijke gevolgen.

Tijdens hydrostatische druktests of wanneer u het filter- en leidingensysteem op uitwendige lekken test, moet u ervoor zorgen dat de maximumdruk in het filtersysteem NIET HOGER WORDT DAN DE MAXIMALE WERKDRUK VAN ELKE COMPONENT IN HET SYSTEEM. In de meeste gevallen staat de maximumdruk op elke component van het systeem vermeld.

In geval van twijfel over de druk waaraan het systeem wordt blootgesteld, installeer een ASME-gekeurde automatische overdrukklep of drukregelaar, ingesteld op de laagste werkdruk van alle componenten in het systeem.

| Model | Size | Vertical Clearance Limit |
|-----------|------------|--------------------------|
| PXC-RP100 | 100 sq.ft. | 154 cm |
| PXC-RP150 | 150 sq.ft. | 193 cm |
| PXC-RP200 | 200 sq.ft. | 193 cm |

Afdeling 2

GEBRUIK VAN DE FILTER

⚠ WAARSCHUWING



DE FILTER WERKT ONDER HOGE DRUK. TIJDENS WERKZAAMHEDEN AAN EEN ONDERDEEL VAN HET CIRCULEERSYSTEEM (BV. MOERPLAATJE, POMP, FILTER, KLEPPEN, ENZ.) KAN LUCHT ONDER DRUK IN HET SYSTEEM KOMEN. LUCHT ONDER DRUK KAN HET DEKSEL WEGBLAZEN EN DIT KAN RESULTEREN IN ERNSTIGE VERWONDINGEN, DE DOOD OF MATERIËLE SCHADE. OM DIT MOGELIJKE GEVAAR TE VERMIJDEN, DIENT U DEZE INSTRUCTIES TE VOLGEN.

1. VOOR U DE KLEPPEN TERUGPLAATST EN VOOR U DE BORGRING PLAATST, WEGNEEMT OF AFSTELT OF ANDERE WERKZAAMHEDEN UITVOERT AAN HET CIRCULEERSYSTEEM: (A) SCHAKEL DE POMP EN EVENTUELE AUTOMATISCHE STURINGSELEMENTEN UIT OM TE VOORKOMEN DAT HET SYSTEEM TIJDENS DE WERKZAAMHEDEN ONBEDOELD WORDT INGESCHAKELD; (B) OPEN DE ONTLUCHTINGSKLEP; EN (C) WACHT TOT HET SYSTEEM VOLLEDIG DRUKLOOS IS – DE MANOMETER MOET NUL (0) AANGEVEN.
2. WANNEER U DE BORGRING PLAATST, VOLG DAN EXACT DE INSTALLATIEVOORSCHRIFTEN VOOR DE BORGRING VAN DE FILTER.
3. WANNEER DE WERKZAAMHEDEN AAN HET CIRCULATIESYSTEEM VOLTOOID ZIJN, VOLG DAN EXACT DE INSTRUCTIES VOOR HET HERSTARTEN VAN HET SYSTEEM.
4. ONDERHOUD HET CIRCULATIESYSTEEM CORRECT. VERVANG VERSLETEN OF BESCHADIGDE ONDERDELEN ONMIDDELLIJK (bv. borgring, manometer, overdrukkelep, O-ringen enz.).
5. INSTALLEER DE FILTER CORRECT EN IN DE JUISTE POSITIE OVEREENKOMSTIG DE BIJGELEVERDE INSTRUCTIES.

A. ALGEMENE INFORMATIE

1. De filter werkt onder druk. Wanneer de borgring correct geïnstalleerd is en het watersysteem geen lucht bevat, zal de filter veilig werken.
2. **⚠ WAARSCHUWING!** De filter heeft een maximale werkdruk van 3,5 bar (50 psi). Stel de tank nooit bloot aan een hogere druk, zelfs niet tijdens hydrostatische druktests. Bij een druk hoger dan 3,5 bar kan het deksel loskomen, met ernstige of dodelijke verwondingen of materiële schade als mogelijke gevolgen.
Tijdens hydrostatische druktests of wanneer u het filter- en leidingensysteem op uitwendige lekken test, moet u ervoor zorgen dat de maximumdruk in het filtersysteem NIET HOGER WORDT DAN DE MAXIMALE WERKDRUK VAN ELKE COMPONENT IN HET SYSTEEM. In de meeste gevallen staat de maximumdruk op elke component van het systeem vermeld.
In geval van twijfel over de druk waaraan het systeem wordt blootgesteld, installeer een ASME-gekeurde automatische overdrukkelep of drukregelaar, ingesteld op de laagste werkdruk van alle componenten in het systeem.
3. De manometer is het belangrijkste hulpmiddel om na te gaan hoe de filter functioneert. Houd uw manometer altijd in goede staat.

⚠ WAARSCHUWING



Uw scheidingstank is een machine. Verander ze niet op eigen houtje, probeer niet ze uiteen te nemen of aan te passen wanneer u haar werking niet volledig begrijpt. Een verkeerde behandeling van de uitrusting kan ernstige of dodelijke verwondingen tot gevolg hebben. Doe een beroep op een professionele zwembadtechnicus voor onderhoud en herstellingen.

4. Reinig uw filter wanneer de aangegeven drukwaarde 0,5 tot 0,8 bar (8-10 psi) hoger is dan de oorspronkelijke begindruk. De druk zal hoger worden naarmate de filter meer vuil uit uw zwembad haalt. Deze drukontwikkeling zal echter verschillen naargelang de gebruiksfrequentie en het aantal mensen in het zwembad, de temperatuur, de weersomstandigheden enz.

MIJN OORSPRONKELIJKE BEGINDRUK IS _____ BAR of PSI

IK MOET MIJN FILTERPATRONEN REINIGEN BIJ _____ BAR of PSI

OPMERKING

Wanneer u bij een nieuw zwembad het filterpatroon gebruikt, brengt u, nadat u de elementen gereinigt hebt, 5 pond diatomeeënaarde (diatomiet of kiezelwieraarde) per 100 vierkante voet filteroppervlak in het systeem in (een koffieblik van een pond stemt overeen met 5 pond diatomeeënaarde). Meng het diatomiet met water en giet het in de zeef nadat de pomp gevuld is en het systeem operationeel is. Dat verbetert de filtering van het water.

B. INSTALLATIEVOORSCHRIFTEN BORGRING

Deze instructies MOETEN NAUWLETTEND GEVOLGD WORDEN om te voorkomen dat het deksel wordt weggeblazen tijdens het herstarten of de latere werking van het systeem.

1. Volg de hierna beschreven stappen vóór u aan onderdelen van het circulatiesysteem (bv. borgring, pomp, filter, kleppen enz.) gaat werken.
 - a. Schakel de pomp en eventuele automatische sturingselementen uit zodat het systeem niet onbedoeld in werking kan worden gesteld tijdens het werk.
 - b. Open de manuele High Flow™ ontluichtingsklep.
 - c. Wacht tot het systeem volledig drukloos is. **Probeer nooit de borgring van de filter te plaatsen, weg te nemen of af te stellen wanneer er druk is in de tank.**

⚠ WAARSCHUWING



DE FILTER WERKT ONDER HOGE DRUK. TIJDENS WERKZAAMHEDEN AAN ONDERDELEN VAN HET CIRCULEERSYSTEEM (BV. MOERPLAATJE, POMP, FILTER, KLEPPEN, ENZ.) KAN LUCHT ONDER DRUK IN HET SYSTEEM KOMEN. LUCHT ONDER DRUK KAN HET DEKSEL WEGBLAZEN EN DIT KAN RESULTEREN IN ERNSTIGE VERWONDINGEN, DE DOOD OF MATERIËLE SCHADE. OM DIT MOGELIJKE GEVAAR TE VERMIJDEN, DIENT U DEZE INSTRUCTIES TE VOLGEN.

2. Vergewis u ervan dat de O-ring zich op zijn plaats bevindt in de onderste helft van de tank. Plaats het filterdeksel over de onderste tankhelft. Zorg ervoor dat het volledig en stevig vastzit op de tankhelft, zie Fig 2.
3. Plaats de borgring over het tankdeksel en centreer de borgring op de schroefdraad van het tanklichaam. Draai de borgring in wijzerzin tot de veiligheidspallen vastklikken en de borgring de aanslagen op het tanklichaam raakt. **PROBEER NIET DE BORGRING VERDER VAST TE DRAAIEN NADAT HIJ DE AANSLAGEN OP HET TANKLICHAAM GERAAKT HEEFT**
4. Volg de instructies voor het herstarten van het systeem in Afdeling C.

C. INSTRUCTIES VOOR HET HERSTARTEN VAN HET SYSTEEM

⚠ WAARSCHUWING

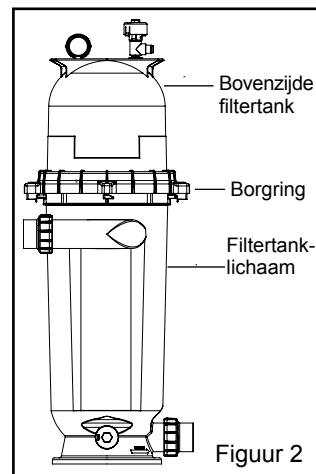


DE SCHEIDINGSTANK WERKT ONDER HOGE DRUK. TIJDENS WERKZAAMHEDEN AAN ONDERDELEN VAN HET CIRCULEERSYSTEEM (BV. MOERPLAATJE, POMP, FILTER, KLEPPEN, ENZ.) KAN LUCHT ONDER DRUK IN HET SYSTEEM KOMEN. LUCHT ONDER DRUK KAN HET DEKSEL WEGBLAZEN EN DIT KAN RESULTEREN IN ERNSTIGE VERWONDINGEN, DE DOOD OF MATERIËLE SCHADE. OM DIT MOGELIJKE GEVAAR TE VERMIJDEN, DIENT U DEZE INSTRUCTIES TE VOLGEN.

1. **Open de manuele High Flow™ ontluichtingsklep tot ze in de volledig geopende stand vastklikt (een kwartdraai in tegenwijzerzin is voldoende).** Als deze klep geopend wordt, zal de in de tank gevangen lucht snel ontsnappen.
2. Ga op voldoende grote afstand van de tank staan en schakel vervolgens de pomp in.
3. Sluit de manuele High Flow™ ontluichtingsklep wanneer u een constante waterstroming ziet.

4. Als één van de volgende omstandigheden zich voordoet, werkt het systeem niet correct.
 - a. Er is nog altijd geen constante waterstroming na 30 seconden, wanneer de ingangszeef van de pomp met water gevuld is.
 - b. De manometer geeft al een druk aan vóór er water naar buiten stroomt.

Indien één van deze gevallen zich voordoet, **schakel dan onmiddellijk de pomp uit**, open de kleppen in de waterretourleiding om de druk af te laten en reinig de ontluichtingsklep, zie Afdeling F. De manuele High Flow™ ontluichtingsklep reinigen.



Figuur 2

D. DE FILTER REINIGEN

⚠ WAARSCHUWING

Lees de informatie hieronder aandachtig. Ze beschrijft de juiste manier om uw filtersysteem te gebruiken en te onderhouden. Door deze instructies te volgen en de nodige voorzorgen te nemen, geeft u uw filtersysteem een maximaal rendement en een lange levensduur.



⚠ OPGELET

Lees alle instructies, waarschuwingen en voorzorgen van de fabrikanten wanneer u Baquacil® gebruikt.

1. Schakel de pomp en eventuele automatische sturingselementen uit zodat het systeem niet onbedoeld in werking kan worden gesteld tijdens het werk.
2. Open de manuele High Flow™ ontluichtingsklep van de filter (en de afvoerklep of -dop als uw systeem er één heeft).

OPMERKING

Wanneer u Baquacil® als een ontsmettingsmiddel gebruikt, moet u bijzonder omzichtig te werk gaan als u een filterpatroon voor een zwembad of een wellness-installatie schoonmaakt. Het filterpatroon moet wegens de werkwijze van Baquacil® vaker en grondiger schoongemaakt worden dan bij een chloorsysteem. Als u niet alle resten volledig uit het filterpatroon verwijdert, zal er een aanslag ontstaan. Die aanslag zal de levensduur van het filterpatroon aanzienlijk inkorten. Baquacil® is een zacht coaguleermiddel dat bacteriën alsook andere kleine deeltjes die van de omgeving of van zwemmers enz. afkomstig zijn, in deeltjes bundelt die groot genoeg zijn om door de filter tegengehouden te worden. In vergelijking met alle andere vervuilende stoffen die in een normaal zwembad of wellness-installatie tegengehouden worden, is het aantal bacteriën dat op de filter neergeslagen wordt, veeleer klein. De aanslag die daar het gevolg van is, is een grijze, kleverige film die alleen met Baquacil® verwijderd kan worden. Als TSP of een schoonmaakproduct van het TSP-type gebruikt wordt vooraleer de film te verwijderen, zullen het schoonmaakproduct en de grijze film samen een rubberachtige substantie vormen. Zodra dit het geval is, kan die substantie niet van het filtermateriaal verwijderd worden en moet het filterpatroon vervangen worden.

3. Verwijder het deksel van de haar- en pluizenfilter van de pomp en reinig de zeef. Plaats de zeef terug en bevestig het deksel.
4. Ontkoppel de ontluichtingsslang indien geïnstalleerd
5. Verwijder de borgring door de veiligheidspallen aan beide zijden van de ring in te drukken en de ring in tegenwijzerzin te draaien, verwijder vervolgens het deksel van de tank.
6. Verwijder het filterelement. Neem daarvoor het element met de handgrepen vast en trek het recht naar boven.
7. Neem het filterpatroon weg van de centrale steunbuis.
8. Met een tuinslang met sproeikop spuit u water op het filterpatroon om het opgehoopte vuil los te maken en weg te spoelen. U kunt zowel op de buitenkant als in het binnenste van het filterpatroon water spuiten om het patroon grondig schoon te maken.

9. Draai het filterpatroon tijdens de wasbeurt verscheidene keren om zodat het filtermateriaal grondig gezuiverd wordt.
10. Maak de binnenzijde van de filtertank schoon en verwijder eventueel vuil. Verwijder ook het vuil uit de O-ring en uit de groef voor de O-ring op het tankhuis.
11. Plaats het schoongemaakte filterelement weer op de steunbuis en breng het geheel in de filtertank aan. Plaats daarbij de pijl op de steunbuis tegenover de ingang van de filter en zorg ervoor dat de filter goed in zijn zitting past. Controleer of de interne luchtzeef op de top van de steunbuis bevestigd is.
12. Plaats het deksel van de tank op het tanklichaam terug. Vergewis u ervan dat het volledig en stevig vastzit op het tanklichaam.
13. Plaats de borgring over het tankdeksel en centreer hem op de schroefdraad van het tanklichaam. Draai de borgring in wijzerzin tot de veiligheidspallen vastklikken en de borgring de aanslagen op het tanklichaam raakt. **PROBEER NOOIT DE BORGRING VERDER VAST TE DRAAIEN NADAT HIJ DE AANSLAGEN OP HET TANKLICHAAM GERAAKT HEEFT.**

OPMERKING

Telkens wanneer de filter wordt geopend en/of het patroon wordt weggenomen, moet u de O-ring met veel siliconensmeermiddel insmeren vóór u de componenten terugplaatst. **GEBRUIK GEEN SMEERMIDDELEN OP BASIS VAN PETROLEUM AANGEZIEN ZIJ HET RUBBER ZOULDEN AANTASTEN.**

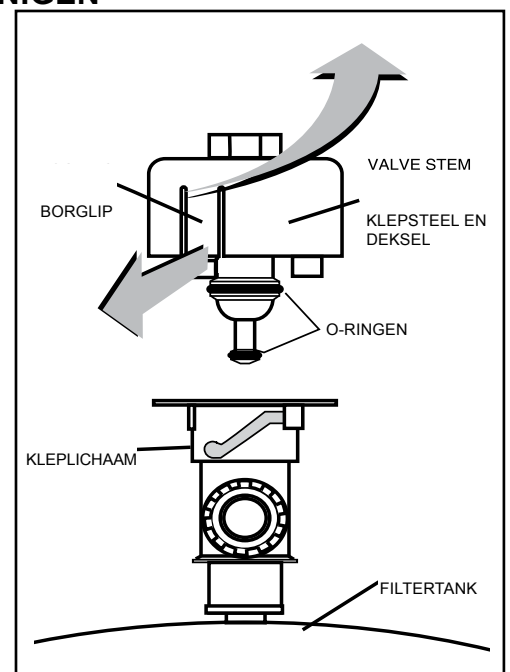
14. Vervang de afvoerdop en plaats de optionele afvoerslang van de Manuele High Flow ontluuchtungsklep terug

E. HET FILTERELEMENT VERVANGEN

De levensduur van het filterpatroon varieert volgens de omstandigheden in het zwembad zoals de vervuiling door zwemmers, wind, stof, enz. In normale omstandigheden mag u een levensduur van drie (3) jaar voor het filtermateriaal verwachten.

F. DE MANUELE HIGH FLOW™ ONTLUCHTINGSKLEP REINIGEN

1. Schakel de pomp en eventuele automatische sturingselementen uit zodat het systeem niet onbedoeld in werking kan worden gesteld tijdens het werk.
2. **OPEN DE MANUELE HIGH FLOW™ ONTLUCHTINGSKLEP TOT ZE IN DE VOLLEDIG GEOPENDE STAND VASTKLIKT, WACHT VERVOLGENS TOT DE DRUK VOLLEDIG AFGELATEN IS.**
3. Trek, met de ontluuchtungsklep aan de filtertank bevestigd, de borglippen naar buiten en verwijder de klepsteel en het deksel door ze in tegenwijzerzin te draaien en op te tillen, zie Figuur 3.
4. Verwijder het afval van de klepsteel en het tanklichaam. Controleer of het luchtkanaal van de filtertank geopend is door een 5/16" boor door het kleplichaam te steken. Controleer of de O-ring in goede staat is, zich in de correcte positie bevindt en gesmeerd is met een smeermiddel op basis van siliconen.
5. Plaats de klepsteel en het deksel terug door ze naar beneden te drukken en in wijzerzin te draaien tot ze op hun plaats vastklikken.



Figuur 3.

BEPERKTE GARANTIE : 2 JAAR

Meer informatie : www.pentairpooleurope.com

AFDELING 3

PROBLEMEN OPLOSSEN

A. Lucht in uw filter is gevaarlijk en kan het deksel wegblazen. Corrigeer eventuele gebreken in uw filtersysteem die maken dat lucht kan binnendringen.

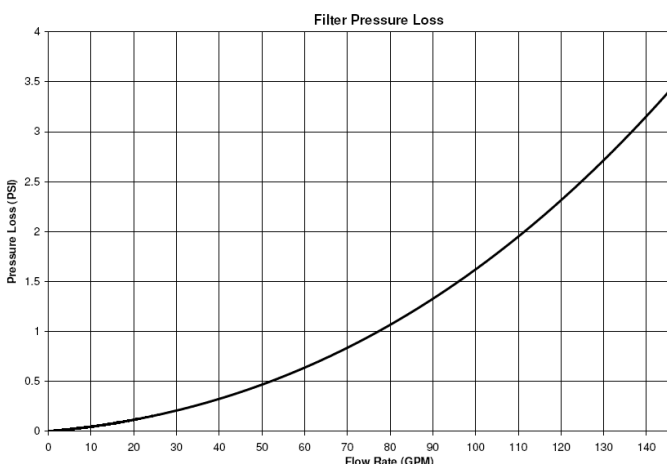
De volgende verschijnselen zijn een aanwijzing dat lucht in het systeem dringt.

- Te laag waterpeil in zwembad of spa – de skimmer ontvangt geen water terwijl de pomp draait. Vul het zwembad of de spa bij met water.
 - Luchtbellen of een te laag waterpeil in de haar- en pluizenfilter worden veroorzaakt door een te laag waterpeil, een verstopte skimmerzeef, scheur in slang van aanzuigfilter, lek in deksel haar- en pluizenfilter van pomp, of lek in aanzuigleiding van pomp.
 - Luchtbellen die uit waterretourleidingen naar zwembad of spa komen terwijl de pomp draait, zie punten 1.a en 1.b van deze afdeling.
 - Er komt lucht uit de ontluchtingsklep aan de bovenzijde van de filter wanneer de klep geopend wordt terwijl de pomp draait, zie punten 1.a en 1.b van deze afdeling.
- B. Tot het water waar het zwembad oorspronkelijk mee gevuld is, volledig gefilterd is, zijn korte filtercycli tussen schoonmaakbeurten normaal. In de meeste gevallen zijn eigenaars van een zwembad onthutst door de ongewenste kleur en het uiterlijk van het water in een nieuw gevuld zwembad. Pleisterstof kan verantwoordelijk zijn voor korte filtercycli zodat frequente schoonmaakbeurten nodig zijn.
- C. Als de meter een drukdaling aangeeft, controleer dan eerst de zeefmand en de pompmand op vuil. Als de manden zuiver zijn, sluit dan de stroomvoeding van de pomp af en schakel alle automatische regelsystemen uit. Verdraai dan de as van de motor met uw vingers. Als de as vrij draait, moet de pomp gedemonteerd worden om te controleren of het schoepenwiel niet verstopt is. Als het schoepenwiel niet bevroren of verstopt is, is er een obstructie in de leiding tussen het zwembad en de pomp.
- D. De manometer is een belangrijk onderdeel van de filter. Hij is uw beste hulpmiddel om na te gaan hoe het systeem werkt. Houd uw manometer altijd in goede staat. Controleer de werking van uw manometer als volgt.
- De manometer moet (0) aangeven wanneer het systeem uitgeschakeld en de druk afgelaten wordt.
 - Wanneer het systeem functioneert, moet de manometer een drukwaarde aangegeven.
 - De manometer moet goed afleesbaar zijn en mag op geen enkele manier beschadigd zijn.
 - Vervang de manometer als hij niet aan de in D.1 tot en met D.2 van deze afdeling beschreven eisen voldoet.

AFDELING 4

TECHNISCHE DATA

A. Grafiek drukverlies in filter.



B. Tabel debiet.

| | | | Residentieel Maximumdebiet filterpatroon | | |
|------------|--------|----------------|---|--------|--------|
| ModelNr. | sq.ft. | M ² | m ³ /h | 6 uur | 8 uur |
| PXC -RP100 | 100 | 9.3 | 11.4 | 68.40 | 91.20 |
| PXC-RP150 | 150 | 13.9 | 17.0 | 102.00 | 136.00 |
| PXC-RP200 | 200 | 18.6 | 22.7 | 136.20 | 181.60 |

(1) Het aanbevolen debiet voor residentiële toepassingen is

0,5 GPM per vierkante voet.

OPMERKING: Het feitelijke systeemdebiet hangt af van de afmetingen van de leidingen en van andere systeemonderdelen.

Service après-vente

HERENTALS, BELGIQUE (8h30 à 16h30) Heure centrale européenne

Site Web : www.pentairpooleurope.com

E-mail : poolemea@pentair.com

Le fabricant, Pentair Water Belgium BVBA, est en droit de modifier les produits sans avis préalable tant que leurs caractéristiques n'en sont pas réellement modifiées.

© 2012 Pentair. Tous droits réservés. Ce document est sujet à révision sans préavis.

Marques de commerce et avis de non-responsabilité : HighFlo™, POSI-CLEAR™ et Pentair® sont des marques de commerce et/ou des marques déposées de Pentair et/ou de ses sociétés affiliées aux États-Unis et/ou dans d'autres pays.

Conditions de garantie : veuillez vous rendre sur notre site Web www.pentairpooleurope.com

MESURES IMPORTANTES DE SÉCURITÉ

LA NOTICE D'EMPLOI CONTIENT DES INFORMATIONS IMPORTANTES PERMETTANT D'UTILISER CET ÉQUIPEMENT POUR PISCINES DE MANIÈRE SÛRE, CORRECTE ET ÉCONOMIQUE. OBSERVER CETTE NOTICE D'EMPLOI AIDE À PRÉVENIR DES DANGERS, RÉDUIRE LES FRAIS DE RÉPARATION, LES PÉRIODES DE DÉFAILLANCES ET À AUGMENTER LA DURÉE DE VIE DE L'ÉQUIPEMENT.

Section 1.

INSTALLATION DU FILTRE

A. GÉNÉRALITÉS

1. Le filtre doit être installé sur une dalle de béton de niveau. Positionnez le réservoir de façon à ce que l'opérateur puisse clairement voir les instructions, les avertissements et le manomètre. Veillez également à positionner le réservoir de séparation de façon à ce que les raccords de conduite, la vanne de commande et l'orifice de vidange soient accessibles en cas d'entretien ou d'hivernisation.
2. Installez les commandes électriques (p.ex. interrupteurs Marche/Arrêt, systèmes de commande du timer, etc.) à une distance minimum de 1,5mètre du réservoir en prévoyant un espace de dégagement suffisant pendant le démarrage du système.
3. Prévoyez un dégagement suffisant autour du réservoir pour vérifier visuellement l'installation correcte du collier, voir Figure 1.
4. Prévoyez un espace suffisant au-dessus du filtre pour retirer son couvercle lors du nettoyage et de l'entretien. Cette distance varie en fonction du modèle de filtre employé. Voir le tableau 1 pour le jeu vertical nécessaire.

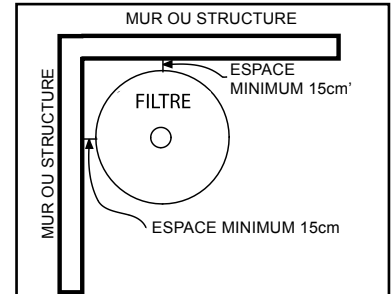


Figure 1.

⚠ AVERTISSEMENT



Risque de décharge électrique ou d'électrocution. Positionnez le filtre et le purgeur d'air manuel High Flow™ de façon à diriger en toute sécurité l'écoulement d'eau et l'eau ou l'air purgé(e). L'eau vidangée d'un filtre ou d'une vanne mal positionné(e) peut créer un risque électrique à même d'entraîner des blessures graves et des dommages matériels.

5. Pour installer le purgeur d'air manuel High Flow™, utilisez uniquement le joint torique, vous n'avez pas besoin de composé d'étanchéité pour filets. Positionnez le filtre de façon à diriger l'écoulement d'eau de manière sécurisée. Tournez le purgeur pour diriger l'eau ou l'air purgé(e) en toute sécurité. L'eau vidangée d'un filtre ou d'un vanne mal positionné(e) peut créer un risque électrique à même de causer des dommages matériels.
6. Connectez tous les raccords de plomberie conformément aux codes du bâtiment ou aux codes de plomberie locaux. Les raccords de plomberie sont fournis avec un joint torique. Utilisez uniquement du lubrifiant à base de silicone sur les joints toriques. N'utilisez pas de pâte à joint pour conduit, de colle ou de solvant sur les traversées de cloison.
7. La base du filtre est fournie avec quatre (4) bossages de montage destinés à ancrer le réservoir sur la dalle de béton.
8. La pression maximale de fonctionnement du réservoir de séparation est de 3.5BAR (50psi). Ne soumettez jamais le réservoir de séparation à une pression excédant cette valeur, même en cas d'essais de la pression hydrostatique. Une pression supérieure à 3.5BAR (50psi) peut entraîner l'expulsion du couvercle, à même de provoquer des blessures graves, la mort ou des dommages matériels.

| Modèle | Taille | Vertical Jeu nécessaire |
|-----------|------------|----------------------------|
| PXC-RP100 | 100 sq.ft. | 154 cm |
| PXC-RP150 | 150 sq.ft. | 193 cm |
| PXC-RP200 | 200 sq.ft. | 193 cm |

Pendant les essais de pression hydrostatique ou les tests de fuites externes du système de canalisation ou de filtration installé, assurez-vous que la pression maximale supportée par le système de filtration N'EXCÈDE PAS LA PRESSION DE FONCTIONNEMENT MAXIMALE DES COMPOSANTS INCLUS DANS LE SYSTÈME. Dans la plupart des cas, la pression maximale sera indiquée sur chaque composant du système.

En cas de doute sur la pression supportée par le système, installez un régulateur de pression ou un limiteur de pression automatique certifié ASME dans le système de circulation, défini sur la pression de fonctionnement la plus faible pour tous les composants du système.

Section 2.

FONCTIONNEMENT DU FILTRE

⚠ AVERTISSEMENT



LE FILTRE FONCTIONNE SOUS HAUTE PRESSION. LORSQU'UNE PARTIE DU SYSTÈME DE CIRCULATION (p. Ex. BAGUE DE RETENUE, POMPE, FILTRE, VANNES, ETC.) EST EN COURS D'ENTRETIEN, L'AIR PEUT ENTRER ET ÊTRE PRESSURISÉ. DE L'AIR SOUS PRESSION PEUT PROVOQUER L'EXPULSION DU COUVERCLE, CE QUI PEUT CAUSER DES BLESSURES GRAVES, LA MORT OU DES DÉGÂTS MATÉRIELS. POUR ÉVITER CE RISQUE, SUIVEZ CES INSTRUCTIONS.

1. AVANT DE REPOSITIONNER LES VANNES ET D'ENTAMER LE MONTAGE, LE DÉMONTAGE OU L'AJUSTEMENT DE LA BAGUE DE RETENUE OU TOUT AUTRE ENTRETIEN DU SYSTÈME DE CIRCULATION: (A) METTEZ LA POMPE HORS TENSION ET ARRÊTEZ TOUTES LES COMMANDES AUTOMATIQUES pour ÉVITER TOUT DÉMARRAGE DU système par inadvertance pendant la phase d'entretien, (B) OUVREZ LE PURGEUR MANUEL D'AIR, ET (C) ATTENDEZ L'ÉVACUATION TOTALE DE LA PRESSION, LE MANOMÈTRE DOIT INDICHER ZÉRO (0).
2. POUR INSTALLER LA BAGUE DE RETENUE, SUIVEZ À LA LETTRE LES INSTRUCTIONS D'INSTALLATION DE LA BAGUE DE RETENUE DU FILTRE.
3. APRÈS AVOIR ACHEVÉ L'ENTRETIEN DU SYSTÈME DE CIRCULATION, SUIVEZ LES INSTRUCTIONS DE REDÉMARRAGE À LA LETTRE.
4. ENTRETIENEZ LE SYSTÈME DE CIRCULATION DE MANIÈRE APPROPRIÉE. REMPLACEZ IMMÉDIATEMENT LES PIÈCES USÉES OU ENDOMMAGÉES (p. ex. bague de retenue, manomètre, purgeur, joints toriques, etc.)
5. ASSUREZ-VOUS QUE LE RÉSERVOIR DE SÉPARATION EST CORRECTEMENT INSTALLÉ ET POSITIONNÉ SELON LES INSTRUCTIONS.

A. GÉNÉRALITÉS

1. Le filtre fonctionne sous pression. Si la bague de retenue est correctement installée et qu'elle fonctionne sans air dans le système, le filtre fonctionnera en toute sécurité.
2. **⚠ ATTENTION!** La pression maximale de fonctionnement du filtre est de 3,5BARS (50psi). Ne soumettez jamais le filtre à une pression excédant cette valeur, même en cas d'essais de la pression hydrostatique. Une pression supérieure à 3,5BARS (50psi) peut entraîner une expulsion du couvercle, à même de provoquer des blessures graves, la mort ou des dommages matériels.
Pendant les essais de pression hydrostatique ou les tests de fuites externes du système de canalisation ou de filtration installé, assurez-vous que la pression maximale supportée par le système de filtration N'EXCÈDE PAS LA PRESSION DE FONCTIONNEMENT MAXIMALE DES COMPOSANTS INCLUS DANS LE SYSTÈME. Dans la plupart des cas, la pression maximale sera indiquée sur chaque composant du système.
En cas de doute sur la pression supportée par le système, installez un régulateur de pression ou un limiteur de pression automatique certifié ASME dans le système de circulation, défini sur la pression de fonctionnement la plus faible pour tous les composants du système.
3. Le manomètre est l'indicateur principal du fonctionnement du filtre. Veillez à le conserver dans un bon état.

⚠ AVERTISSEMENT



Votre filtre est une pièce mécanique, ne tentez pas de le modifier, de le démonter ou de l'ajuster sauf si vous connaissez parfaitement son fonctionnement. Une mauvaise manipulation de l'équipement peut engendrer des blessures graves ou la mort. Consultez un professionnel d'entretien des piscines pour toute assistance de maintenance ou d'entretien.

4. Nettoyez le filtre si la pression excède de 0,5 à 0,8Bar (8-10psi) la pression de démarrage requise. La pression de votre filtre augmente pendant qu'il retire les impuretés de la piscine. Cette augmentation de pression variera néanmoins en fonction des charges, de la température de l'eau, des conditions atmosphériques, etc.

LA PRESSION DE DÉMARRAGE D'ORIGINE EST DE _____ BAR OU PSI

JE DEVRAIS NETTOYER LES CARTOUCHES DU FILTRE À _____ BAR OU PSI

REMARQUE

Lorsque l'élément filtrant de la cartouche est utilisé sur des piscines neuves ou après le nettoyage des éléments, introduire dans le système 0,5 livre de terre à diatomées par 100 pieds carrés de surface filtrante (une boîte à café d' 1 livre équivaut à 0,5 livre de terre à diatomées). Mélanger la diatomite avec de l'eau et la verser dans l'écumoire après avoir amorcé la pompe et mis le système en marche. Cela améliorera la filtration de votre eau.

B. INSTRUCTIONS D'INSTALLATION DE LA BAGUE DE RETENUE

Ces instructions DOIVENT ÊTRE RESPECTÉES À LA LETTRE pour empêcher toute expulsion du couvercle pendant le redémarrage du système ou son fonctionnement ultérieur.

1. Suivez les étapes suivantes avant d'intervenir sur une pièce du système de circulation (p. ex. bague de retenue, pompe, filtre, vannes, etc.).
 - a. Mettez la pompe hors tension et arrêtez toutes les commandes automatiques pour éviter tout démarrage du système par inadvertance pendant la phase d'entretien.
 - b. Ouvrez le purgeur d'air manuel High Flow™.
 - c. Attendez l'évacuation totale de la pression. **Ne tentez jamais de monter, de démonter ou d'ajuster la bague de retenue du filtre si le réservoir est toujours sous pression.**

⚠ AVERTISSEMENT



LE FILTRE SOUS HAUTE PRESSION. LORSQU'UNE PARTIE DU SYSTÈME DE CIRCULATION (p. ex. BAGUE DE RETENUE, POMPE, FILTRE, VANNES, ETC.) EST EN COURS D'ENTRETIEN, L'AIR PEUT ENTRER ET ÊTRE PRESSURISÉ. DE L'AIR SOUS PRESSION PEUT PROVOQUER L'EXPULSION DU COUVERCLE, CE QUI PEUT CAUSER DES BLESSURES GRAVES, LA MORT OU DES DÉGÂTS MATÉRIELS. POUR ÉVITER CE RISQUE, SUIVEZ CES INSTRUCTIONS.

2. Assurez-vous que le joint torique est en position dans la moitié inférieure du réservoir. Placez le couvercle du filtre sur la moitié inférieure du réservoir en vérifiant qu'il est correctement et fermement installé sur la moitié du réservoir. Voir figure 2.
3. Placez la bague de retenue sur le couvercle du réservoir en la centrant sur les filets du corps du réservoir. Tournez la bague de retenue dans le sens des aiguilles d'une montre jusqu'à entendre les loquets de sécurité cliquer et la bague de retenue buter sur les arrêts du corps. **NE SERREZ PAS TROP LA BAGUE DE RETENUE UNE FOIS QU'ELLE A BUTÉ SUR LES ARRÊTOIRS DU CORPS.**
4. Suivez les instructions de démarrage du système en section C.

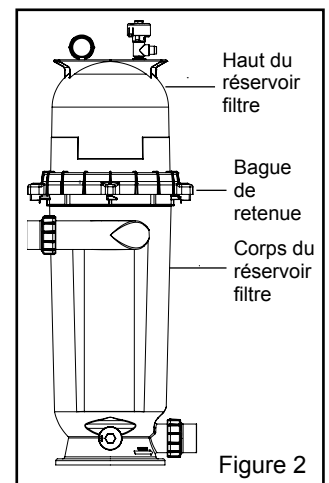
C. INSTRUCTIONS DE DÉMARRAGE DU SYSTÈME

⚠ AVERTISSEMENT



LE FILTRE FONCTIONNE SOUS HAUTE PRESSION. LORSQU'UNE PARTIE DU SYSTÈME DE CIRCULATION (p. ex. BAGUE DE RETENUE, POMPE, FILTRE, VANNES, ETC.) EST EN COURS D'ENTRETIEN, L'AIR PEUT ENTRER ET ÊTRE PRESSURISÉ. DE L'AIR SOUS PRESSION PEUT PROVOQUER L'EXPULSION DU COUVERCLE, CE QUI PEUT CAUSER DES BLESSURES GRAVES, LA MORT OU DES DÉGÂTS MATÉRIELS. POUR ÉVITER CE RISQUE, SUIVEZ CES INSTRUCTIONS.

1. **Ouvrez entièrement le purgeur d'air manuel High Flow™ (un quart de tour dans le sens contraire aux aiguilles d'une montre suffit).** L'ouverture de ce purgeur libère rapidement l'air enfermé dans le réservoir.
2. Éloignez-vous du réservoir, puis démarrez la pompe.
3. Fermez le purgeur d'air manuel High Flow™ dès que vous constatez un flux constant d'eau.
4. Le système ne fonctionne pas correctement si:
 - a. Vous ne constatez pas de flux constant d'eau dans les 30 secondes suivant le remplissage d'eau du panier d'entrée de la pompe.
 - a. Le manomètre indique la pression avant que le flux d'eau n'apparaisse.Si l'une des situations qui précèdent se produit, **arrêtez immédiatement la pompe**, ouvrez les vannes de la conduite d'eau de retour pour libérer la pression et nettoyez le purgeur d'air manuel. Voir section F. Nettoyage du purgeur d'air manuel High Flow™.



D. NETTOYAGE DU FILTRE

⚠ AVERTISSEMENT

Lisez attentivement les informations suivantes car elles décrivent les méthodes d'entretien et le fonctionnement approprié de votre système de filtration. Si vous respectez ces instructions et prenez toutes les mesures préventives nécessaires, vous augmenterez l'efficacité et la durée de vie de votre système de filtration.



⚠ DANGER

Soyez attentif à l'ensemble des instructions, avertissements et mises en garde du fabricant en utilisant les produits Baquacil®.

1. Mettez la pompe hors tension et arrêtez toutes les commandes automatiques pour éviter tout démarrage du système par inadvertance pendant la phase d'entretien.
2. Ouvrez le purgeur d'air manuel High Flow™ du filtre (et la vanne de purge, ou le capuchon si votre système en est équipé).

REMARQUE

Un soin particulier doit être apporté au nettoyage de l'élément filtrant de la cartouche utilisé dans une piscine ou un bain à remous avec du Baquacil® comme désinfectant. Vu le mode de fonctionnement du Baquacil®, l'élément filtrant de la cartouche doit être nettoyé de manière plus poussée et plus fréquente que dans un système chloré. Si tous les résidus ne sont pas enlevés minutieusement et entièrement de l'élément filtrant, ils finissent par s'accumuler. Cette accumulation raccourcit significativement la durée de vie de l'élément filtrant de la cartouche. Le Baquacil® est un coagulant doux qui combine des cellules bactériennes et d'autres petites particules provenant de l'environnement, des baigneurs, etc. pour former des particules suffisamment grandes pour être arrêtées par le filtre. Par rapport à tous les autres contaminants piégés dans une piscine ou un bain à remous classique, le volume de cellules bactériennes qui se déposent sur le filtre est minime. Le dépôt qui en résulte est un film collant gris qui peut seulement être éliminé avec du Baquacil®. Si du TSP ou un nettoyant du type TSP est utilisé avant d'enlever le film, le nettoyant et le film gris se mélangent pour former une substance ressemblant à de la gomme. Si cela se produit, la substance ne peut pas être ôtée des milieux et l'élément filtrant de la cartouche doit être remplacé.

3. Retirez le couvercle de la crépine et nettoyez le panier. Remettez le panier et sécurisez le couvercle
4. Débrancher le tuyau d'évacuation d'air s'il est installé.
5. Retirez la bague de retenue en appuyant sur les loquets de sécurité de chaque côté de la bague et tournez dans le sens contraire des aiguilles d'une montre, puis retirez le couvercle du réservoir.
6. Pour déposer l'élément filtrant, placez les mains dans les poignées de levage et tirez l'élément vers le haut
7. Déposez l'élément filtrant du tube support central.
8. À l'aide d'un tuyau d'arrosage avec un ajutage, envoyez un jet d'eau direct sur l'élément de la cartouche afin de détacher et d'éliminer les impuretés accumulées. L'eau peut être pulvérisée à l'extérieur et à l'intérieur de l'élément filtrant afin de garantir un nettoyage complet.
9. Durant le nettoyage, tournez plusieurs fois l'élément filtrant de la cartouche pour nettoyer complètement les milieux.
10. Nettoyez et enlevez les débris de l'intérieur de la cuve du filtre ainsi que du joint torique et de la rainure du joint torique sur le corps de la cuve.
11. Reposez l'élément filtrant propre sur le tube support et installez l'ensemble dans le corps de la cuve du filtre, en alignant la flèche du support sur l'orifice d'entrée du filtre et en s'assurant qu'il est parfaitement positionné. Assurez-vous que le tamis de désaération intérieur est fixé au sommet du tube support de l'élément. Retirez le sac de séparation en tirant sur la poignée.
12. Remettez le couvercle du réservoir en place sur le corps en vérifiant qu'il est entièrement et fermement installé.
13. Mettez la bague de retenue sur le couvercle du réservoir en la centrant sur les filets du corps, tournez dans le sens des aiguilles d'une montre jusqu'à entendre les loquets de sécurité cliquer et la bague de retenue buter sur les arrêts du corps. **NE SERREZ PAS TROP LA BAGUE DE RETENUE UNE FOIS QU'ELLE A BUTÉ SUR LES ARRÊTOIRS DU CORPS.**
14. Remettez le capuchon de purge en place et réinstallez le tuyau du purgeur d'air manuel High Flow™, si utilisé.

REMARQUE

À chaque fois que vous ouvrez le filtre, et/ou retirez le cartouche, veillez à recouvrir généreusement le joint torique de lubrifiant à base de silicone avant de remonter l'appareil. **N'UTILISEZ PAS DE LUBRIFIANTS À BASE DE PÉTROLE CAR ILS DÉTÉRIORENT LE CAOUTCHOUC.**

E. REMPLACEMENT DE L'ÉLÉMENT FILTRANT CARTOUCHE

La durée de vie de l'élément filtrant dépend de conditions d'utilisation de la piscine, comme le nombre de baigneurs, le vent, les poussières, etc. Vous pouvez tabler sur une durée de vie moyenne des milieux de trois (3) ans dans des conditions normales.

F. NETTOYAGE DU PURGEUR D'AIR MANUEL High Flow™.

1. Mettez la pompe hors tension et arrêtez toutes les commandes automatiques pour éviter tout démarrage du système par inadvertance pendant la phase d'entretien.
2. **OUVREZ ENTièrement LE PURGEUR D'AIR MANUEL PUIS ATTENDEZ QUE LA PRESSION SOIT TOTALEMENT LIBÉRÉE.**
3. Le purgeur fixé au réservoir filtre, tirez les attaches de verrouillage et retirez la tige de la vanne et le couvercle en les levant dans le sens contraire aux aiguilles d'une montre, voir Figure 3.
4. Nettoyez les débris du corps et de la tige de la vanne. Vérifiez que le passage d'air du réservoir filtre est ouvert en insérant un foret de 5/16pouces dans le corps de la vanne. Vérifiez que le joint torique est en bon état, correctement positionné et lubrifié avec du lubrifiant à base de silicone.
5. Réinstallez la tige de la vanne et le couvercle en l'insérant vers le bas dans le sens des aiguilles d'une montre, jusqu'à leur mise en place.

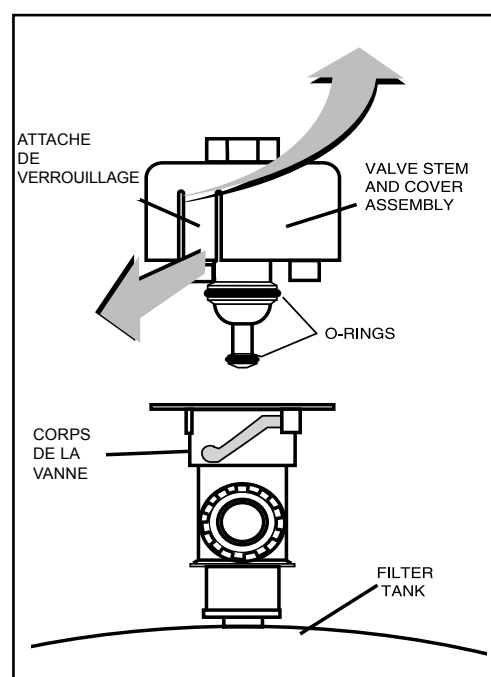


Figure 3.

Section 3.

DÉPANNAGE

A. L'air entrant dans votre filtre est dangereux et peut causer une expulsion du couvercle. Vérifiez et évitez toute situation causant une entrée d'air dans votre système de filtration.

Voici quelques moyens habituels pour identifier l'air entrant dans le système:

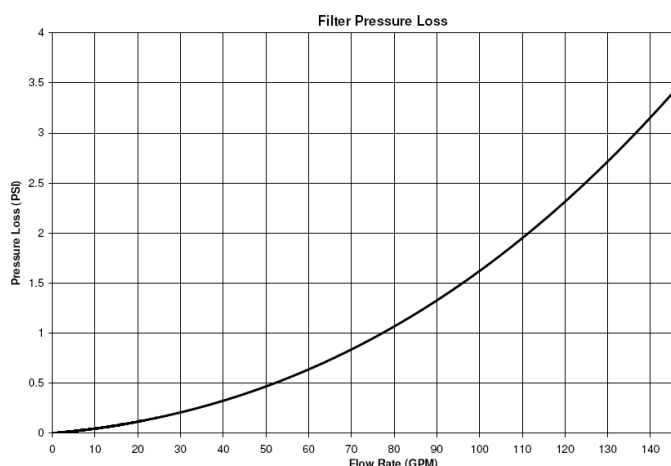
- a. Un faible niveau d'eau dans la piscine ou le spa, skimmer émergé, la pompe en marche. Ajoutez de l'eau à la piscine ou au spa.
- b. Des bulles d'air et un faible niveau d'eau dans la crépine de la pompe résultent souvent d'un faible niveau d'eau, d'une obstruction dans le panier du skimmer, d'un tuyau de nettoyage à aspiration fissuré, de fuites sur le couvercle de la crépine ou dans la conduite d'aspiration de la pompe.
- c. En cas de bulles d'air sortant des conduites de retour d'eau vers la piscine ou le spa, la pompe en marche, reportez-vous aux points 1 a. et 2 b. de cette section.
- d. L'air est évacué du purgeur manuel en haut du filtre une fois celui-ci ouvert, la pompe en marche; reportez-vous aux points 1 a. et 1 b. ci-dessus, de cette section.

- B. Tant que l'eau versée initialement dans la piscine n'a pas été totalement filtrée, de courts cycles de filtration entre les nettoyages sont normaux. La plupart du temps, les propriétaires de piscine sont consternés devant la couleur et l'aspect indésirables de l'eau dans une piscine qui vient d'être remplie. La poussière de plâtre peut être responsable d'un raccourcissement des cycles de filtration, ce qui nécessite des nettoyages fréquents.
- C. En cas de baisse de pression sur la jauge, commencez par vérifier l'absence de débris dans le panier écumeur et le panier de la pompe. Si les paniers sont propres, mettez la pompe hors tension et coupez les systèmes de régulation automatique éventuels. Tournez ensuite l'arbre moteur à la main. S'il tourne librement, désassemblez la pompe et contrôlez le rotor pour vérifier qu'il n'est pas colmaté. S'il n'est pas coincé ou colmaté, il y a un bouchon dans la ligne entre la piscine et la pompe.
- D. Le manomètre est une pièce importante du filtre. C'est le principal indicateur de fonctionnement du système. Veillez à le conserver dans un bon état de marche. Vérifiez le fonctionnement de votre manomètre:
1. Le manomètre devrait indiquer zéro (0) si le système est hors tension et non pressurisé.
 2. Le manomètre devrait indiquer la pression si le système est en marche.
 3. Le manomètre devrait être lisible et en bon état.
 4. Remplacez le manomètre s'il ne répond pas aux exigences des points D.1 à D.2. de cette section mentionnés ci-dessus;

Section 4.

CARACTERISTIQUES TECHNIQUES

- A. Graphique de perte de pression du filtre. B. Tableau des débits



| N° de modèle. | sq.ft. | M ² | Application résidentielle Débits maximaux de la cartouche | | |
|---------------|--------|----------------|--|----------|----------|
| | | | m ³ /h | 6 heures | 8 heures |
| PXC -RP100 | 100 | 9.3 | 11.4 | 68.40 | 91.20 |
| PXC-RP150 | 150 | 13.9 | 17.0 | 102.00 | 136.00 |
| PXC-RP200 | 200 | 18.6 | 22.7 | 136.20 | 181.60 |

(1) Le débit recommandé pour des applications résidentielles est égal à 0,5 gal./min par pied carré.

REMARQUE : le débit effectif du système dépend de la dimension de la tuyauterie et des autres composants du système.

GARANTIE LIMITÉES DE 2 ANS

Détails supplémentaires : www.pentairpooleurope.com

Atención al cliente

HERENTALS, BÉLGICA (8:30 A.M. a 4:30 P.M.) CET

Sitio web: www.pentairpooleurope.com

E-mail : poolemea@pentair.com

El fabricante, Pentair Water Belgium BVBA, tiene derecho a modificar los productos sin previo aviso mientras no modifique sus características.

© 2012 Pentair. Todos los derechos reservados Este documento puede ser modificado sin previo aviso.

Marcas comerciales y limitaciones de responsabilidad: High Flo™, POSI-CLEAR™ y Pentair® son marcas comerciales o marcas comerciales registradas de Pentair o de sus filiales en Estados Unidos u otros países.

Condiciones de la garantía: visite nuestro sitio web www.pentairpooleurope.com

PRECAUCIONES IMPORTANTES DE SEGURIDAD

ESTAS INSTRUCCIONES CONTIENEN INFORMACIÓN IMPORTANTE SOBRE EL FUNCIONAMIENTO SEGURO, CORRECTO Y ECONÓMICO DE ESTE EQUIPO PARA PISCINAS. LA ESTRICTA OBSERVACIÓN DE LAS INSTRUCCIONES DE FUNCIONAMIENTO CONTRIBUIRÁ A EVITAR PELIGROS, REDUCIR LOS COSTOS DE REPARACIÓN, LOS TIEMPOS DE DESCONEXIÓN Y AUMENTAR LA FIABILIDAD Y LA VIDA ÚTIL DEL PRODUCTO.

Sección 1.

INSTALACIÓN DEL FILTRO

A. INFORMACIÓN GENERAL

1. El filtro debe montarse sobre una losa de hormigón nivelada. Coloque el depósito de forma que las instrucciones, advertencias e indicaciones de presión resulten visibles para el operador. Sitúe también el depósito de separación de forma que las conexiones de los conductos, la válvula de control y del puerto de drenaje sean cómodas y accesibles para realizar labores de mantenimiento y acondicionamiento para el invierno.
2. Instale controles eléctricos (por ejemplo, interruptores de activación/desactivación, sistemas de control de programadores, etc.) al menos a 1,5 metros del filtro, con espacio suficiente para mantenerse separados del depósito durante la puesta en marcha del sistema.
3. Respete espacio suficiente alrededor del filtro para permitir la confirmación visual de la correcta instalación de la abrazadera; consulte la Figura 1.
4. Respete espacio suficiente sobre el filtro para retirar su tapa y realizar tareas de limpieza y servicio. Esta distancia variará según el modelo de filtro que esté utilizando. Consulte la Tabla 1 para obtener el espacio vertical necesario.

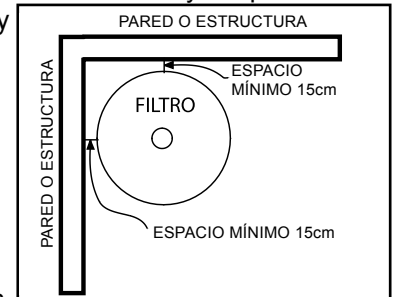


Figura 1.

⚠ ADVERTENCIA



Riesgo de descarga eléctrica o electrocución. Coloque el filtro y la válvula de alivio de aire manual High Flow™ para dirigir de forma segura el drenaje de agua y la purga de aire o agua. El agua descargada de un filtro o válvula mal posicionados puede representar un peligro eléctrico y producir lesiones graves, así como daños materiales.

5. Al instalar la válvula de alivio de aire manual High Flow™, utilice únicamente la junta tórica; no son necesarios otros componentes de sellado de roscas. Coloque el filtro para dirigir el drenaje de agua de forma segura. Gire la válvula para dirigir la salida segura de aire o agua. El agua descargada de un filtro o válvula mal posicionados puede representar un peligro eléctrico, así como ocasionar daños materiales.
6. Realice todas las conexiones de fontanería cumpliendo las normativas de construcción y fontanería locales. Las conexiones de fontanería se suministran con un sello de junta tórica. Utilice exclusivamente lubricante con base de silicona en las juntas tóricas. No utilice disolventes, adhesivos ni selladores de tubos en las conexiones de divisiones.
7. La base del filtro se suministra con cuatro (4) refuerzos de montaje para anclar el depósito al hormigón.
8. La presión máxima en servicio del filtro es de 3.5BAR (50psi). No someta nunca el filtro a una presión mayor, aunque esté realizando ensayos de presión hidrostática. Las presiones superiores a 3.5BAR (50psi) pueden provocar la separación de la tapa y ocasionar lesiones graves, incluso fatales, además de daños materiales.

| Modelo | Tamaño | Vertical Espacio req |
|-----------|------------|-------------------------|
| PXC-RP100 | 100 sq.ft. | 154 cm |
| PXC-RP150 | 150 sq.ft. | 193 cm |
| PXC-RP200 | 200 sq.ft. | 193 cm |

Al realizar ensayos de presión hidrostática o al comprobar la existencia de fugas externas en el sistema de fontanería y filtrado instalado, asegúrese de que la máxima presión a la que el sistema de filtrado será sometido **NO SUPERA LA PRESIÓN MÁXIMA EN SERVICIO DE NINGUNO DE LOS COMPONENTES INCLUIDOS EN EL SISTEMA**. En la mayoría de los casos, la presión máxima aparecerá indicada en cada componente del sistema.

En caso de duda sobre la presión a la que el sistema estará sometido, instale un regulador de presión o alivio de presión automático aprobado por ASME en el sistema de circulación para la presión en servicio más baja de cualquiera de los componentes del sistema.

Sección 2.

FUNCIONAMIENTO DEL FILTRO


ADVERTENCIA



EL FILTRO FUNCIONA A ALTA PRESIÓN. CUANDO ALGUNA PIEZA DEL SISTEMA DE CIRCULACIÓN (POR EJEMPLO, ANILLO DE CIERRE, BOMBA, FILTRO, VÁLVULAS, ETC.) SE ENCUENTRA EN SERVICIO, EL AIRE PUEDE ACCEDER AL SISTEMA Y PRESURIZARSE. EL AIRE PRESURIZADO PUEDE PROVOCAR LA SEPARACIÓN DE LA TAPA, PROVOCANDO LESIONES GRAVES, INCLUSO FATALES, ASÍ COMO DAÑOS MATERIALES. PARA EVITAR ESTOS RIESGOS POTENCIALES, SIGA ESTAS INSTRUCCIONES

1. ANTES DE PROCEDER A LA RECOLOCACIÓN DE LAS VÁLVULAS Y DE COMENZAR CON EL MONTAJE, DESMONTAJE O EL AJUSTE DEL ANILLO DE CIERRE O CUALQUIER OTRA TAREA DE SERVICIO EN EL SISTEMA DE CIRCULACIÓN: (A) DESACTIVE LA BOMBA E INTERRUMPA CUALQUIER CONTROL AUTOMÁTICO PARA ASEGURAR QUE EL SISTEMA NO SE PONE EN MARCHA ACCIDENTALMENTE DURANTE EL SERVICIO; (B) ABRA LA VÁLVULA DE ALIVIO DE AIRE Y (C) ESPERE HASTA SE LIBERE TODA LA PRESIÓN; LA LECTURA DEL MANÓMETRO DEBE SER CERO.
2. AL INSTALAR EL ANILLO DE CIERRE, SIGA AL PIE DE LA LETRA LAS INSTRUCCIONES DE MONTAJE DEL ANILLO DE CIERRE.
3. UNA VEZ FINALIZADO EL SERVICIO EN EL SISTEMA DE CIRCULACIÓN, SIGA AL PIE DE LA LETRA LAS INSTRUCCIONES DE REINICIO DEL SISTEMA.
4. MANTENGA CORRECTAMENTE EL SISTEMA DE CIRCULACIÓN. SUSTITUYA INMEDIATAMENTE LAS PIEZAS DAÑADAS O DESGASTADAS (por ejemplo, el anillo de cierre, el manómetro, la válvula de alivio, las juntas tóricas, etc.).
5. ASEGÚRESE DE QUE EL FILTRO ESTÉ MONTADO Y POSICIONADO CORRECTAMENTE SEGÚN LAS INSTRUCCIONES FACILITADAS.

A. INFORMACIÓN GENERAL

1. El filtro funciona sometido a presión. Al instalar correctamente el anillo de cierre y utilizarse sin aire en el sistema de agua, el filtro funcionará en modo seguro.
2.  **¡ADVERTENCIA!** La presión máxima en servicio del filtro es de 3,5 bar (50 psi). No someta el filtro a una presión mayor, aunque esté realizando ensayos de presión hidrostática. Presiones superiores a 3,5 bar (50 psi) pueden provocar la separación de la tapa, pudiendo ocasionar lesiones graves, incluso fatales, así como daños materiales.

Al realizar ensayos de presión hidrostática o al comprobar la existencia de fugas externas en el sistema de fontanería y filtrado instalado, asegúrese de que la máxima presión a la que el sistema de filtrado será sometido NO SUPERA LA PRESIÓN MÁXIMA EN SERVICIO DE NINGUNO DE LOS COMPONENTES INCLUIDOS EN EL SISTEMA. En la mayoría de los casos, la presión máxima aparecerá indicada en cada componente del sistema.

En caso de duda sobre la presión a la que el sistema estará sometido, instale un regulador de presión o alivio de presión automático aprobado por ASME en el sistema de circulación para la presión en servicio más baja de cualquiera de los componentes del sistema.

3. El manómetro es el principal indicador del funcionamiento del filtro. Mantenga el manómetro en buenas condiciones de funcionamiento.

ADVERTENCIA



Su depósito de separación es un elemento mecánico, no lo manipule, intente desmontarlo ni ajustarlo a menos que comprenda íntegramente su funcionamiento. La incorrecta manipulación del equipo puede ocasionar lesiones graves, incluso fatales. Consulte a un profesional de servicio de piscinas para realizar tareas de mantenimiento y asistencia técnica.

4. Limpie su filtro cuando la presión sea 0,5 - 0,8 bar (8-10 psi) superior a la presión original de puesta en funcionamiento. La lectura de presión de su filtro aumenta a medida que retira suciedad de su piscina. Sin embargo, esta acumulación de presión variará según las diferentes condiciones atmosféricas, de temperatura, número de usuarios, etc.

MI PRESIÓN ORIGINAL EN FUNCIONAMIENTO ES DE _____ BAR o PSI

DEBO LIMPIAR LOS CARTUCHOS DE FILTRO A _____ BAR o PSI

NOTA

Cuando el filtro del cartucho se utilice en piscinas nuevas y tras limpiar los elementos, introduzca en el sistema 0,5 libras de tierra de diatomeas por cada 100 pies cuadrados de área de filtrado (una lata de una libra de café puede equivaler a 0,5 libras de tierra de diatomeas). Mezcle la diatomita con agua y viértala en el skimmer después de que la bomba esté cebada y el sistema en funcionamiento. Esto mejorará el filtrado.

B. INSTRUCCIONES DE INSTALACIÓN DEL ANILLO DE CIERRE

Estas instrucciones DEBEN SEGUIRSE AL PIE DE LA LETRA para prevenir la separación de la tapa durante el reinicio del sistema o su posterior funcionamiento.

1. Realice los siguientes pasos antes de trabajar en cualquiera de las piezas del sistema de circulación (por ejemplo, el anillo de cierre, la bomba, el filtro, las válvulas, etc.).
 - a. Desactive la bomba e interrumpa los controles automáticos para asegurar que el sistema no se ponga en marcha accidentalmente al realizar labores de servicio.
 - b. Abra la válvula de alivio de aire manual High Flow™.
 - c. Espere hasta que se libere toda la presión. **No intente nunca montar, desmontar o ajustar el anillo de cierre del filtro mientras exista presión en el depósito.**

⚠ ADVERTENCIA



EL FILTRO FUNCIONA A ALTA PRESIÓN. CUANDO ALGUNA PIEZA DEL SISTEMA DE CIRCULACIÓN (POR EJEMPLO, ANILLO DE CIERRE, BOMBA, FILTRO, VÁLVULAS, ETC.) SE ENCUENTRA EN SERVICIO, EL AIRE PUEDE ACCEDER AL SISTEMA Y PRESURIZARSE. EL AIRE PRESURIZADO PUEDE PROVOCAR LA SEPARACIÓN DE LA TAPA, PROVOCANDO LESIONES GRAVES, INCLUSO FATALES, ASÍ COMO DAÑOS MATERIALES. PARA EVITAR ESTOS RIESGOS POTENCIALES, SIGA ESTAS INSTRUCCIONES.

2. Asegúrese de que la junta tórica se encuentra en su posición en la mitad inferior del depósito. Coloque la tapa del filtro sobre la mitad inferior del depósito, asegurándose de que esté completa y firmemente asentada en la mitad del depósito; consulte la Figura 2.
3. Coloque el anillo de cierre sobre la tapa del depósito y centre el anillo sobre las roscas del cuerpo del depósito. Gire el anillo de cierre en sentido horario hasta que pueda oír el “clic” de los cierres de seguridad y el anillo entre en contacto con los topes del cuerpo. **NO INTENTE APRETAR EN EXCESO EL ANILLO DE CIERRE UNA VEZ EN CONTACTO CON LOS TOPES DEL CUERPO.**
4. Siga las instrucciones de reactivación del sistema recogidas en la Sección C.

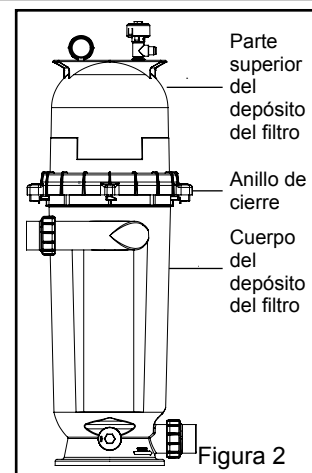
C. INSTRUCCIONES DE REINICIO DEL SISTEMA

⚠ ADVERTENCIA



EL FILTRO FUNCIONA A ALTA PRESIÓN. CUANDO ALGUNA PIEZA DEL SISTEMA DE CIRCULACIÓN (POR EJEMPLO, ANILLO DE CIERRE, BOMBA, FILTRO, VÁLVULAS, ETC.) SE ENCUENTRA EN SERVICIO, EL AIRE PUEDE ACCEDER AL SISTEMA Y PRESURIZARSE. EL AIRE PRESURIZADO PUEDE PROVOCAR LA SEPARACIÓN DE LA TAPA, PROVOCANDO LESIONES GRAVES, INCLUSO FATALES, ASÍ COMO DAÑOS MATERIALES. PARA EVITAR ESTOS RIESGOS POTENCIALES, SIGA ESTAS INSTRUCCIONES.

1. **Abra la válvula de alivio de aire manual High Flow™ hasta que encaje en la posición de apertura completa (esto sólo requiere un cuarto de vuelta en sentido antihorario).** Abrir esta válvula libera rápidamente el aire atrapado en el depósito.
2. Sepárese del depósito y, a continuación, inicie el funcionamiento de la bomba.
3. Cierre la válvula de alivio de aire manual High Flow™ cuando aparezca un flujo constante de agua.
4. El sistema no funciona correctamente si se produce alguna de las siguientes condiciones.
 - a. Si no aparece un flujo de agua constante 30 segundos después de que la cesta de entrada de la bomba se llene de agua.
 - b. El manómetro indica presión antes de aparecer el flujo saliente de agua.Ante cualquiera de estas condiciones, **detenga inmediatamente la bomba**, abra las válvulas de la tubería de retorno de agua para liberar presión y limpie la válvula de alivio de aire; consulte la Sección F. Limpieza de la válvula de alivio de aire manual High Flow™.



D. LIMPIEZA DEL FILTRO

⚠ ADVERTENCIA

Debe leer atentamente la siguiente información, que describe el modo correcto de cuidar y utilizar su sistema de filtrado. Acatando estas instrucciones y respetando las medidas preventivas necesarias, su sistema le ofrecerá la máxima vida útil y rendimiento de su sistema de filtrado.



⚠ PRECAUCIÓN

Al utilizar Baquacil®, respete todas las instrucciones, advertencias y precauciones publicadas por los fabricantes.

1. Desactive la bomba e interrumpa los controles automáticos para asegurar que el sistema no se pone en marcha accidentalmente al realizar labores de servicio.
2. Abra la válvula de alivio de aire manual High Flow™ (y la válvula de vaciado de desagüe o tapa, si su sistema dispone de una)

NOTA

Deberá tenerse especial cuidado al limpiar el cartucho empleado en una piscina o spa que utilice Baquacil® como desinfectante. Debido al funcionamiento del Baquacil®, el cartucho debe limpiarse más metódica y frecuentemente que en un sistema de cloro. Si no se extreman los cuidados para eliminar por completo todos los residuos del cartucho, podrían formarse acumulaciones. Estas acumulaciones acortarán significativamente la vida útil del cartucho. El Baquacil® es un coagulante suave que combina células bacterianas, así como otras pequeñas partículas aportadas por el entorno, bañistas, etc., dentro de partículas lo suficientemente grandes como para quedar atrapadas en el filtro. En comparación con otros contaminantes atrapados en una piscina o spa típico, la cantidad de células bacterianas depositadas en el filtro es mínima. El depósito resultante es una película gris de consistencia pegajosa que únicamente puede eliminarse con Baquacil®. Si se utiliza TSP o cualquier limpiador tipo TSP antes de eliminar la película, el limpiador y la película gris se combinarán formando una sustancia de consistencia gomosa. Una vez que esto sucede, la sustancia no puede eliminarse del medio, obligando a la sustitución del cartucho.

3. Retire la tapa de la vasija del filtro de pelo y pelusa y limpie la cesta. Vuelva a colocar la cesta y asegure la tapa.
4. Desconecte la manguera de aire de alivio si se ha instalado
5. Retire el anillo de cierre presionando los cierres de seguridad situados a ambos lados del anillo y girando en sentido antihorario y, a continuación, extraiga la tapa del depósito.
6. Retire el conjunto del elemento colocando las manos en los mangos de elevación y extrayendo en vertical el conjunto del elemento.
7. Retire el cartucho del tubo de soporte central.
8. Utilizando una manguera de jardín con boquilla, rocíe directamente con agua el cartucho para desprender y limpiar la materia extraña acumulada. El agua puede rociarse tanto en el exterior como en el interior del cartucho para realizar una limpieza minuciosa.
9. Dé la vuelta al cartucho varias veces durante el proceso de lavado para limpiar el medio minuciosamente.
10. Limpie y elimine restos de suciedad del interior del depósito del filtro, de la junta tórica y sus ranuras en el cuerpo del depósito.
11. Vuelva a colocar el cartucho limpio en el tubo de soporte e instale el conjunto en el cuerpo del depósito del filtro, alinee la flecha del tubo del soporte con el puerto de admisión del filtro, asegurándose de que esté totalmente estanco. Asegúrese de que el filtro de alivio de aire interno esté unido a la parte superior del tubo de soporte del cartucho.
12. Vuelva a colocar la tapa sobre el cuerpo del depósito asegurándose de que se asiente completa y firmemente.
13. Coloque el anillo de cierre sobre la tapa del depósito y, centrando el anillo en las roscas del cuerpo del depósito, gírelo en sentido horario hasta que oiga el "clic" del cierre de seguridad y el anillo entre en contacto con los topes del cuerpo. NO INTENTE APRETAR EN EXCESO EL ANILLO DE CIERRE UNA VEZ EN CONTACTO CON LOS TOPES DEL CUERPO.
14. Vuelva a colocar el tapón de drenaje y monte de nuevo la manguera de drenaje de la válvula de alivio de aire manual High Flow™, en caso de uso.

NOTA

Siempre que abra el depósito de separación y/o extraiga el cartucho, asegúrese de recubrir generosamente la junta tórica con lubricante de silicona antes de volver a montar la unidad. **NO UTILICE LUBRICANTES CON BASE DE PETRÓLEO, YA QUE DETERIORAN LA GOMA.**

E. SUSTITUCIÓN DEL CARTUCHO

La vida útil del elemento del cartucho variará según las condiciones de la piscina, como el número de bañistas, el viento, el polvo, etc. Cabe esperar una vida media de tres (3) años bajo condiciones normales.

F. LIMPIEZA DE LA VÁLVULA DE ALIVIO DE AIRE MANUAL HIGH FLOW™

1. Desactive la bomba e interrumpa los controles automáticos para asegurar que el sistema no se ponga en marcha accidentalmente al realizar labores de servicio.
2. **ABRA LA VÁLVULA DE ALIVIO DE AIRE MANUAL HIGH FLOW™ HASTA QUE ENCAJE EN LA POSICIÓN DE APERTURA COMPLETA Y, A CONTINUACIÓN, ESPERE HASTA QUE SE LIBERE TODA LA PRESIÓN.**
3. Con la válvula de alivio conectada al depósito del filtro, retire de las lengüetas de bloqueo y retire el vástago de la válvula y el conjunto de la tapa con un giro en sentido antihorario y un movimiento de extracción; consulte la Figura 3.
4. Limpie los restos de suciedad del cuerpo y del vástago de la válvula. Verifique que el conducto de ventilación del depósito del filtro está abierto introduciendo una broca de 5/16" a través del cuerpo de la válvula. Verifique que la junta tórica se encuentra en buen estado, correctamente posicionada y lubricada con un lubricante con base de silicona.
5. Vuelva a montar el conjunto de la tapa y el vástago de la válvula con un movimiento descendente y de giro en sentido horario hasta encajar en su posición.

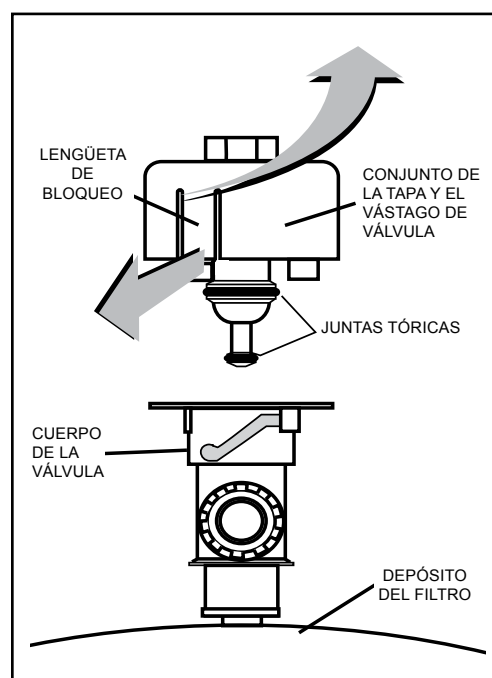


Figura 3.
Vuelva a montar el conjunto de la tapa y el vástago de la válvula con un movimiento descendente y de giro en sentido horario hasta encajar en su posición.

Sección 3.

SOLUCIÓN DE PROBLEMAS

- A. Es peligroso que el aire entre en su filtro, ya que podría causar la separación de la tapa. Corrija cualquier condición de su sistema de filtrado que permita la entrada de aire en el sistema.
1. A continuación se indican algunas formas generales de identificar la entrada de aire en el sistema:
 - a. Bajo nivel de agua en la piscina o spa: el skimmer carece de agua con la bomba en funcionamiento. Añada agua a la piscina o spa.
 - b. Las burbujas de aire o un bajo nivel de agua en la vasija de pelo y pelusa de la bomba están ocasionadas por: bajo nivel de agua, cesta del skimmer obstruida, manguera del limpiador de succión cuarteada, fuga en la tapa de la vasija de pelo y pelusa de la bomba o fuga en la tubería de succión de la bomba.
 - c. Burbujas de aire saliendo de las tuberías de retorno de agua hacia la piscina o spa con la bomba en funcionamiento; consulte los artículos 1.a y 1.b de esta sección.
 - d. El aire se descarga desde la válvula de alivio de aire en la parte superior del filtro al abrir la válvula con la bomba en funcionamiento; consulte los artículos 1.a y 1.b de esta sección, citados anteriormente.
- B. Hasta que el agua inicialmente existente en la piscina se haya filtrado por completo, los ciclos de filtrado cortos entre limpiezas son normales. En la mayoría de casos, los propietarios de las piscinas se desaniman con el aspecto y el color nada agradables del agua en una piscina recién llenada. El polvo de yeso puede ser el responsable de los ciclos cortos del filtro, precisando una limpieza frecuente.

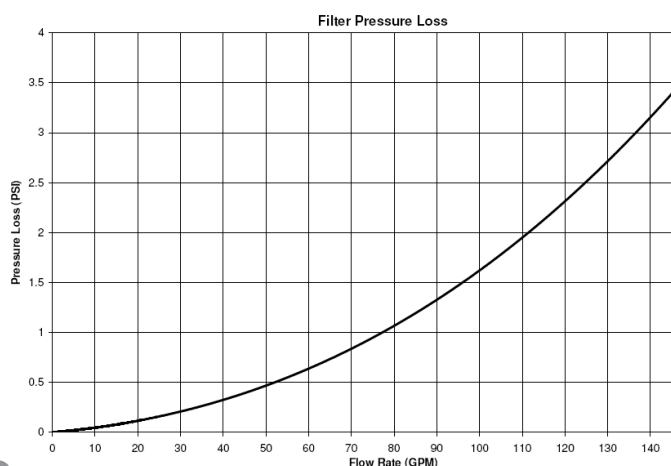
- C. Si la presión del indicador cae, compruebe primero la cesta de la bomba y del skimmer en busca de restos. Si las cestas están limpias, desconecte la bomba y cualquier control automático. A continuación, gire el eje del motor con los dedos. Si gira libremente, la bomba debe desmontarse y comprobar si el impulsor está atascado. Si no está congelada ni atascada, existe una obstrucción en la línea que se encuentra entre la piscina y la bomba.
- D. El manómetro es una pieza importante del filtro. Es su principal indicador del funcionamiento del sistema. Mantenga el manómetro en buenas condiciones de funcionamiento. Compruebe el funcionamiento de su manómetro de la siguiente forma:
1. El manómetro debe situarse en cero (0) cuando el sistema esté desconectado y la presión liberada.
 2. El manómetro debe indicar presión cuando el sistema se encuentre en funcionamiento.
 3. El manómetro debe ser legible y no estar dañado en modo alguno.
 4. Sustituya el manómetro si no cumple con los requisitos de los artículos D.1 a D.2 de esta sección, citados anteriormente.

Sección 4.

DATOS TÉCNICOS.

A. Gráfico de pérdida de presión del filtro.

B. Tabla de caudal.



| N° de modelo. | sq.ft. | M ² | Doméstico Caudal máximo del cartucho | | |
|---------------|--------|----------------|---|---------|---------|
| | | | m ³ /h | 6 horas | 8 horas |
| PXC -RP100 | 100 | 9.3 | 11.4 | 68.40 | 91.20 |
| PXC-RP150 | 150 | 13.9 | 17.0 | 102.00 | 136.00 |
| PXC-RP200 | 200 | 18.6 | 22.7 | 136.20 | 181.60 |

(1) El caudal recomendado para uso residencial es 0,5 GPM por pie cuadrado

NOTA: el caudal real del sistema dependerá del tamaño de la instalación sanitaria y de otros componentes del sistema.

GARANTÍA LIMITADA DE 2 AÑOS

Para más información consulte : www.pentairpooleurope.com

Assistenza clienti

HERENTALS, BELGIO (dalle 8:30 alle 16:30) CET

Sito web: www.pentairpooleurope.com

E-mail : poolemea@pentair.com

Il produttore, Pentair Water Belgium BVBA, ha il diritto di modificare i prodotti senza preavviso, nella misura in cui tali modifiche non alterino le caratteristiche essenziali dei prodotti.

© 2012 Pentair. Tutti i diritti riservati. Il presente documento è soggetto a modifica senza preavviso.

Marchi di fabbrica ed esclusioni di responsabilità: High Flo™, POSI-CLEAR™ e Pentair® sono marchi e/o marchi registrati di Pentair e/o delle sue società collegate negli Stati Uniti e/o in altri Paesi.

Condizioni di garanzia: consultare il sito www.pentairpooleurope.com

PRECAUZIONE IMPORTANTI PER LA SICUREZZA

LE PRESENTI ISTRUZIONI PER L'USO CONTENGONO IMPORTANTI INFORMAZIONI PER UN FUNZIONAMENTO SICURO, APPROPRIATO ED ECONOMICO DELLE QUESTA APPARECCHIATURAPER PISCINA. OSSERVARE SCRUPolosAMENTE LE ISTRUZIONI PER L'USO PERMETTE DI EVITARE PERICOLI, RIDURRI I COSTI DE RIPARAZIONE, I PERIODI DE INOPERATIVITÀ E AUMENTARE L'AFFIDABILITÀ E LA DURATA DEL PRODOTTO.

Sezione 1.

INSTALLAZIONE DELLE FILTRO

A. INFORMAZIONI GENERALI

1. Il filtro va installata su una lastra di cemento piana. Posizionare la vasca in modo che le istruzioni, le avvertenze e il manometro siano visibili all'operatore. Inoltre, posizionare il filtro in modo che i raccordi dei tubi, la valvola di controllo e il foro di scarico siano comodamente accessibili per le operazioni di manutenzione e preparazione per l'inverno.
2. Installare i comandi elettrici (ad esempio, gli interruttori di accensione e spegnimento, gli impianti di controllo dei timer, ecc.) ad almeno 1,5 metri dalla vasca, in modo da poter stare a distanza dalla stessa durante l'avviamento dell'impianto.
3. Prevedere spazio sufficiente attorno alla vasca per consentire il controllo visivo della corretta installazione del morsetto; vedere Figura 1.
4. Prevedere spazio sufficiente sopra il filtro per poterne rimuovere il coperchio per la pulizia e la manutenzione. Questa distanza varierà secondo il modello di filtro utilizzato. Vedi tabella 1, per lo spazio libero verticale necessario.

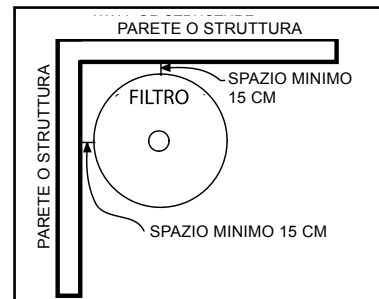


Figura 1.

⚠ AVVERTENZA



Rischio di choc elettrico o folgorazione. Posizionare la vasca di separazione e la valvola manuale di sfogo dell'aria High Flow™ per direzionare in modo sicuro lo scarico dell'acqua e l'aria o l'acqua depurate. L'acqua scaricata da una vasca o da una valvola posizionate in modo non corretto può rappresentare un pericolo elettrico, con conseguenti gravi lesioni alle persone e danni alle cose.

5. Per l'installazione della valvola manuale di sfogo dell'aria High Flow™, utilizzare esclusivamente una guarnizione circolare; non sono necessari composti sigillanti per filettature. Posizionare il filtro per direzionare in modo sicuro lo scarico dell'acqua. Ruotare la valvola per direzionare in modo sicuro l'aria o l'acqua depurate. L'acqua scaricata da un filtro o da una valvola posizionate in modo erraneo può rappresentare un pericolo elettrico, con conseguenti danni alle cose.
6. Effettuare tutti i collegamenti idraulici in conformità alle leggi locali in campo idraulico ed edilizio. Per i collegamenti idraulici è fornita una guarnizione circolare. Sulle guarnizioni circolari utilizzare esclusivamente un lubrificante silconico. Evitare di usare composto per raccordi di tubi, colla o solvente sui collegamenti della paratia.
7. La base delle filtro è dotata di quattro (4) mozzi di montaggio per consentirne l'ancoraggio al cemento.
8. La pressione di esercizio massima delle filtro è di 3.5BAR (50psi). Evitare di sottoporre il filtro a una pressione superiore, anche durante i test di pressione idrostatica. Una pressione superiore a 3.5BAR (50psi) può far saltare via il coperchio, con conseguenti gravi lesioni, decessi o danni alle cose.

| Modello | Dimensioni | Spazio libero necessario |
|-----------|------------|--------------------------|
| PXC-RP100 | 100 sq.ft. | 154 cm |
| PXC-RP150 | 150 sq.ft. | 193 cm |
| PXC-RP200 | 200 sq.ft. | 193 cm |

Durante i test di pressione idrostatica o la verifica di eventuali perdite esterne dell'intero impianto di filtrazione e idraulico, accertarsi che la pressione massima a cui l'impianto di filtrazione viene sottoposto NON SUPERI LA PRESSIONE DI ESERCIZIO MASSIMA DI ALCUNO DEI SUOI COMPONENTI. Nella maggior parte dei casi, la pressione massima viene indicata su ciascun componente dell'impianto.

In caso di dubbi sulla pressione a cui l'impianto sarà sottoposto, installare un riduttore o un regolatore di pressione automatico approvato da ASME nel sistema di circolazione, in modo da ottenere una pressione di esercizio pari a quella più bassa fra i vari componenti dell'impianto.

Sezione 2.

FUNZIONAMENTO DELLE FILTRO

⚠ AVVERTENZA



IL FILTRO FUNZIONA SOTTO PRESSIONE ELEVATA. QUANDO UNA PARTE QUALSIASI DEL SISTEMA DI CIRCOLAZIONE (ad es., ANELLO DI FISSAGGIO, POMPA, FILTRO, VALVOLE, ECC.) VIENE SOTTOPOSTA A MANUTENZIONE, È POSSIBILE CHE L'ARIA ENTRI NELL'IMPIANTO E VADA SOTTO PRESSIONE. L'ARIA PRESSURIZZATA RISCHIA DI FAR SALTARE VIA IL COPERCHIO, PROVOCANDO LESIONI GRAVI, DECESSI O DANNI ALLE COSE. PER EVITARE OGNI RISCHIO, SEGUIRE SCRUPOLOSAMENTE QUESTE ISTRUZIONI

1. PRIMA DI RIPOSIZIONARE LE VALVOLE E INIZIARE L'ASSEMBLAGGIO, LO SMONTAGGIO O LA REGOLAZIONE DELL'ANELLO DI FISSAGGIO O QUALSIASI ALTRO TIPO DI MANUTENZIONE DEL SISTEMA DI CIRCOLAZIONE: (A) SPEGNERE LA POMPA E DISATTIVARE EVENTUALI COMANDI AUTOMATICI PER GARANTIRE CHE L'IMPIANTO NON VENGA INAVVERTITAMENTE MESSO IN FUNZIONE DURANTE LA MANUTENZIONE; (B) APRIRE LA VALVOLA DI SFOGO DELL'ARIA; (C) ASPETTARE CHE LA PRESSIONE VENGA COMPLETAMENTE SFOGATA: IL MANOMETRO DEVE SEGNARE ZERO (0).
2. QUANDO SI INSTALLA L'ANELLO DI FISSAGGIO, SEGUIRE MINUZIOSAMENTE LE ISTRUZIONI PER L'INSTALLAZIONE DELL'ANELLO DI FISSAGGIO DEL FILTRO.
3. UNA VOLTA COMPLETATA LA MANUTENZIONE DEL SISTEMA DI CIRCOLAZIONE, SEGUIRE MINUZIOSAMENTE LE ISTRUZIONI PER IL RIAVVIO DELL'IMPIANTO.
4. GARANTIRE LA CORRETTA MANUTENZIONE DEL SISTEMA DI CIRCOLAZIONE. SOSTITUIRE IMMEDIATAMENTE I PEZZI USURATI O DANNEGGIATI (ad es., anello di fissaggio, manometro, valvola di sfogo, guarnizioni circolari, ecc.).
5. ASSICURARSI CHE IL FILTRO SIA CORRETTAMENTE MONTATA E POSIZIONATA, IN CONFORMITÀ ALLE ISTRUZIONI FORNITE.

A. INFORMAZIONI GENERALI

1. Il filtro funziona sotto pressione. Quando l'anello di fissaggio è installato correttamente e l'impianto idraulico non contiene aria, la vasca di separazione funziona in sicurezza.
2. **⚠ AVVERTENZA!** La pressione di esercizio massima delle filtro è di 3,5 BAR (50 psi). Evitare di sottoporre il filtro a una pressione superiore, anche durante i test di pressione idrostatica. Una pressione superiore a 3,5 BAR (50 psi) può causare il distacco del coperchio, con conseguenti gravi lesioni, decessi o danni alle cose.
Durante i test di pressione idrostatica o la verifica di eventuali perdite esterne dell'intero impianto di filtrazione e idraulico, accertarsi che la pressione massima a cui l'impianto di filtrazione viene sottoposto NON SUPERI LA PRESSIONE DI ESERCIZIO MASSIMA DI ALCUNO DEI SUOI COMPONENTI. Nella maggior parte dei casi, la pressione massima viene indicata su ciascun componente dell'impianto.
In caso di dubbi sulla pressione a cui l'impianto sarà sottoposto, installare un riduttore o un regolatore di pressione automatico approvato da ASME nel sistema di circolazione, in modo da ottenere una pressione di esercizio pari a quella più bassa fra i vari componenti dell'impianto.
3. Il manometro è il principale indicatore del funzionamento delle filtro. Accertarsi che sia sempre funzionante.

⚠ AVVERTENZA



Il filtro è un macchinario; evitare di manometterla, tentare di smontarla o comunque modificarla, a meno di non comprenderne appieno il funzionamento. Possono verificarsi gravi lesioni o decessi in caso di improprio utilizzo dell'apparecchiatura. Consultare un professionista della manutenzione delle piscine per assistenza nelle attività di manutenzione.

4. Pulire il filtro quando la lettura è fra 0,5 e 0,8 BAR (8-10 psi) più alta della pressione iniziale originaria. La lettura della pressione del filtro risulterà più alta man mano che il filtro rimuove sporcizia dalla piscina. Tuttavia, tale accumulo di pressione potrà variare a seconda del numero di utenti, della temperatura, delle condizioni meteorologiche, ecc.
LA MIA PRESSIONE INIZIALE ORIGINARIA È PARI A _____ BAR o PSI
DEVO PULIRE LE CARTUCCE DEL FILTRO A _____ BAR o PSI

NOTA

Quando il filtro della cartuccia viene utilizzato su piscine nuove e dopo la pulizia degli elementi, introdurre nel sistema 0.5 libbra di terra diatomacea ogni 100 piedi quadrati di area di filtraggio, (un thermos di caffè da 1 libbra equivale a 0.5 libbra di terra diatomacea). Miscelare la diatomite con acqua e versarla nello skimmer dopo aver avviato la pompa e con il sistema in funzione. Ciò migliorerà il filtraggio dell'acqua.

B. ISTRUZIONI DI INSTALLAZIONE DELL'ANELLO DI FISSAGGIO

Queste istruzioni DEVONO ESSERE SEGUITE ALLA LETTERA per impedire che il coperchio salti via durante il riavvio o il successivo funzionamento dell'impianto.

1. Effettuare le seguenti operazioni prima di lavorare su qualsiasi parte del sistema di circolazione (ad es., anello di fissaggio, pompa, filtro, valvole, ecc.).
 - a. Spegnerne la pompa e disattivare eventuali comandi automatici per garantire che l'impianto non venga inavvertitamente attivato durante la manutenzione.
 - b. Aprire la valvola manuale di sfogo dell'aria High Flow™.
 - c. Attendere finché la pressione non sia stata completamente sfogata. **Mai tentare di assemblare, smontare o regolare l'anello di fissaggio del filtro se la vasca è sotto pressione.**

⚠ AVVERTENZA



IL FILTRO FUNZIONA SOTTO PRESSIONE ELEVATA. QUANDO UNA PARTE QUALSIASI DEL SISTEMA DI CIRCOLAZIONE (ad es., ANELLO DI FISSAGGIO, POMPA, FILTRO, VALVOLE, ECC.) VIENE SOTTOPOSTA A MANUTENZIONE, È POSSIBILE CHE L'ARIA ENTRI NELL'IMPIANTO E VADA SOTTO PRESSIONE. L'ARIA PRESSURIZZATA RISCHIA DI FAR SALTARE VIA IL COPERCHIO, PROVOCANDO LESIONI GRAVI, DECESSI O DANNI ALLE COSE. PER EVITARE OGNI RISCHIO, SEGUIRE SCRUPOLOSAMENTE QUESTE ISTRUZIONI.

2. Accertarsi che la guarnizione circolare sia in posizione nella metà inferiore della vasca. Posizionare il coperchio del filtro sopra la metà inferiore della vasca, accertandosi che sia saldamente e completamente poggiato sulla stessa; cfr. Figura 2.
3. Posizionare l'anello di fissaggio sopra il coperchio della vasca, centrandolo rispetto alla filettatura del corpo della vasca. Ruotare l'anello di fissaggio in senso orario finché le chiusure di sicurezza non scattano e l'anello viene a contatto con i fermi sul corpo. **NON TENTARE DI SERRARE PIÙ DEL NECESSARIO L'ANELLO DI FISSAGGIO DOPO CHE È VENUTO A CONTATTO CON I FERMI SUL CORPO.**
4. Seguire le istruzioni di riavvio dell'impianto della Sezione C.

C. ISTRUZIONI DI RIAVVIO DELL'IMPIANTO

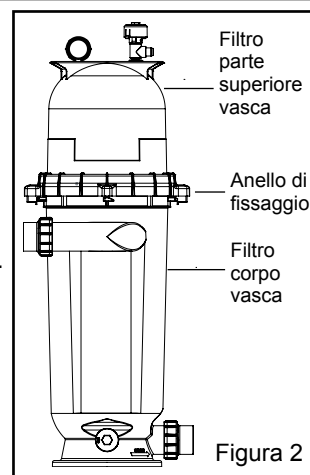
⚠ AVVERTENZA



IL FILTRO FUNZIONA IN PRESENZA DI PRESSIONE ELEVATA. QUANDO UNA PARTE QUALSIASI DEL SISTEMA DI CIRCOLAZIONE (ad es., ANELLO DI FISSAGGIO, POMPA, FILTRO, VALVOLE, ECC.) VIENE SOTTOPOSTA A MANUTENZIONE, È POSSIBILE CHE L'ARIA ENTRI NELL'IMPIANTO E VADA SOTTO PRESSIONE. L'ARIA PRESSURIZZATA RISCHIA DI FAR SALTARE VIA IL COPERCHIO, PROVOCANDO LESIONI GRAVI, DECESSI O DANNI ALLE COSE. PER EVITARE OGNI RISCHIO, SEGUIRE SCRUPOLOSAMENTE QUESTE ISTRUZIONI.

1. **Aprire la valvola manuale di sfogo dell'aria High Flow™ finché non scatta in posizione completamente aperta (basta un quarto di giro in senso antiorario).** L'apertura di questa valvola porta alla rapida fuoriuscita dell'aria intrappolata nella vasca.
2. Tenersi a distanza dalla vasca, poi avviare la pompa.
3. Chiudere la valvola manuale di sfogo dell'aria High Flow™ dopo la comparsa di un flusso d'acqua costante.
4. L'impianto non funziona correttamente se si verifica una delle seguenti condizioni.
 - a. Non compare un flusso deciso d'acqua entro 30 secondi, dopo che il cestello di ingresso della pompa si riempie d'acqua.
 - a. Il manometro rileva pressione prima che compaia un efflusso d'acqua.

Se si presenta una di queste condizioni, **disattivare immediatamente la pompa**, aprire le valvole nella linea di ritorno dell'acqua per alleviare la pressione e pulire la valvola di sfogo dell'aria: cfr. Sezione F. Pulizia della valvola manuale di sfogo dell'aria High Flow™.



D. PULIZIA DELLE FILTRO

⚠ AVVERTENZA

È necessario leggere attentamente le seguenti informazioni, dal momento che riportano le corrette modalità di cura e funzionamento dell'impianto di filtrazione. Seguendo queste istruzioni e adottando le necessarie attenzioni preventive, è possibile aspettarsi la massima efficienza e durata dell'impianto di filtrazione.



⚠ ATTENZIONE

Seguire tutte le istruzioni, le avvertenze e le cautele indicate dai produttori quando si utilizza Baquacil®.

1. Spegnerne la pompa e disattivare eventuali comandi automatici per garantire che l'impianto non venga inavvertitamente attivato durante la manutenzione.
2. Aprire la valvola manuale di sfogo dell'aria del filtro High Flow™ (e la valvola di scarico delle acque reflue, o il coperchio, se presenti nell'impianto).

NOTA

È necessario fare attenzione in particolare quando si pulisce la cartuccia utilizzata in una piscina o in una spa con Baquacil® come sanificante. Dato il modo in cui Baquacil® lavora, la cartuccia va pulita in maniera più accurata e frequente rispetto a un sistema a cloro. Se non si pone la massima attenzione nel rimuovere completamente tutti i residui dalla cartuccia, si creerà un accumulo. Tale accumulo accorcerà in modo significativo la vita utile della cartuccia. Baquacil® è un coagulante delicato che combina cellule batteriche e altre piccole particelle provenienti da ambiente, bagnanti, etc. in particelle abbastanza grandi da rimanere intrappolate nel filtro. Rispetto a tutti gli altri contaminanti intrappolati in una piscina o spa tipica, la quantità di cellule batteriche depositate sul filtro è minima. Il deposito risultante è una pellicola grigia e appiccicosa, che può essere rimossa solo con Baquacil®. Se si utilizza un detergente TSP o simile prima di staccare la pellicola, il detergente e la pellicola grigia si combineranno per formare una sostanza gommosa. Quando ciò occorre, la sostanza non può essere rimossa dal mezzo ed è necessario sostituire la cartuccia.

3. Rimuovere il coperchio del filtro per capelli e fili e pulire il cestello. Rimettere in posizione il cestello e fissare il coperchio
4. Scollegare il tubo di sfiato, se installato
5. Rimuovere l'anello di fissaggio esercitando una pressione sulle chiusure di sicurezza su entrambi i lati dello stesso e ruotandolo in senso antiorario; poi rimuovere il coperchio della vasca.
6. Rimuovere l'elemento assemblato mettendo le mani nelle impugnature di sollevamento e tirando dritto verso l'alto sull'elemento assemblato.
7. Rimuovere la cartuccia dal tubo di supporto centrale.
8. Utilizzando una manichetta da giardino con ugello, spruzzare l'acqua direttamente sulla cartuccia per staccare e lavare via materiali estranei accumulati. L'acqua può essere spruzzata all'esterno o all'interno della cartuccia per una pulizia accurata.
9. Capovolgere la cartuccia varie volte durante l'operazione di lavaggio per pulire il mezzo in modo completo.
10. Pulire e rimuovere i residui dall'interno del serbatoio di filtro e dall'O-ring nonché dalla scanalatura dell'O-ring sul corpo del serbatoio.
11. Sostituire la cartuccia pulita sul tubo di supporto e installare l'assieme nel corpo del serbatoio di filtro, allineando la freccia sul tubo di supporto con la porta di ingresso del filtro, assicurandosi che sia completamente appoggiato. Assicurarsi che il filtro di scarico d'aria interno sia attaccato alla parte superiore del tubo di supporto elemento.
12. Rimettere il coperchio sul corpo della vasca, accertandosi che sia saldamente e completamente posizionato.
13. Posizionare l'anello di fissaggio sopra il coperchio della vasca, centrandolo rispetto alla filettatura del corpo della vasca, e ruotarlo in senso orario finché le chiusure di sicurezza non scattano e l'anello viene a contatto con i fermi sul corpo. **NON TENTARE DI SERRARE PIÙ DEL NECESSARIO L'ANELLO DI FISSAGGIO DOPO CHE È VENUTO A CONTATTO CON I FERMI SUL CORPO.**
14. Rimettere in posizione il coperchio di scarico e reinstallare il tubo di scarico della valvola manuale di sfogo dell'aria High Flow™ se utilizzato.

NOTA

Ogni volta che la vasca di separazione viene aperta e/o il sacchetto di separazione viene rimosso, accertarsi di trattare la guarnizione circolare con abbondante lubrificante silconico prima di riassembleare l'unità. EVITARE L'USO DI LUBRIFICANTE A BASE DI PETROLIO, DAL MOMENTO CHE HA UN EFFETTO DETERIORANTE SULLA GOMMA.

E. SOSTITUZIONE DELLA CARTUCCIA

La durata della cartuccia varierà secondo le condizioni della piscina, come carico di bagnanti, vento, polvere, etc. Potete aspettarvi una vita utile media del mezzo di tre (3) anni in condizioni normali.

F. PULIZIA DELLA VALVOLA MANUALE DI SFOGO DELL'ARIA HIGH FLOW™

1. Spegnerne la pompa e disattivare eventuali comandi automatici per garantire che l'impianto non venga inavvertitamente attivato durante la manutenzione.
2. **APRIRE LA VALVOLA MANUALE DI SFOGO DELL'ARIA FINCHÉ NON SCATTA IN POSIZIONE COMPLETAMENTE APERTA, POI ASPETTARE CHE LA PRESSIONE SI SFOGHI COMPLETAMENTE.**
3. Con la valvola di sfogo collegata alla vasca di filtrazione, estrarre le linguette di serraggio e rimuovere lo stelo della valvola e il gruppo del coperchio con un movimento in senso antiorario e verso l'alto; cfr. Figura 3.
4. Rimuovere i detriti dallo stelo e dal corpo della valvola. Verificare che il passaggio dell'aria della vasca di filtrazione sia aperto inserendo la punta di un trapano da 5/16 pollici nel corpo della valvola. Verificare che le guarnizioni circolari siano in buone condizioni, ben posizionate e lubrificate con un prodotto silconico.
5. Reinstallare lo stelo della valvola e il gruppo del coperchio con un movimento verso il basso e in senso orario finché non scatta in posizione.

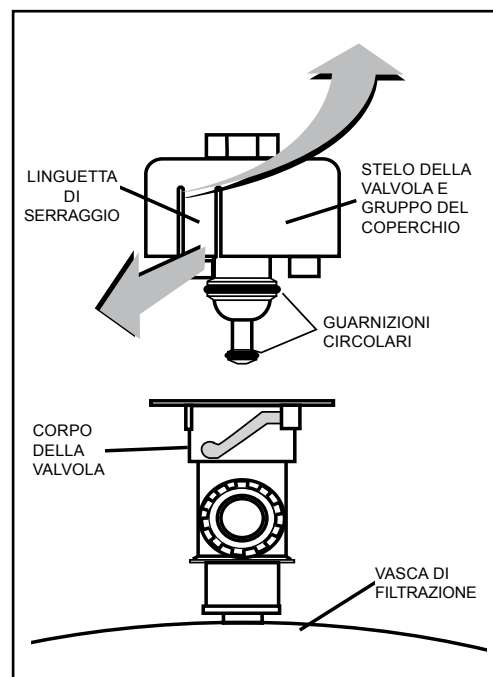


Figura 3.

Sezione 3.

INDIVIDUAZIONE E CORREZIONE DEI GUASTI

- A. L'ingresso di aria nel filtro è pericoloso e può far saltare via il coperchio. Correggere le condizioni dell'impianto di filtrazione che consentono l'ingresso di aria nell'impianto stesso.
1. Ecco alcuni modi noti per individuare l'ingresso di aria nell'impianto:
 - a. Basso livello dell'acqua nella piscina o nell'idromassaggio - lo skimmer non ha acqua sufficiente nonostante la pompa sia in funzione. Immettere acqua nella piscina o nell'idromassaggio.
 - b. Le bolle d'aria o il basso livello dell'acqua nel filtro per capelli e fili della pompa sono causati da: livello ridotto dell'acqua; cestello dello skimmer otturato; tubo dell'aspiratore fessurato; perdita del coperchio del filtro per capelli e fili della pompa; perdita della linea di aspirazione della pompa.
 - c. Bolle d'aria che fuoriescono dalle linee di ritorno dell'acqua nella piscina o nell'idromassaggio con la pompa in azione; cfr. le voci 1.a e 1.b della presente sezione.
 - d. Viene scaricata aria dalla valvola di sfogo dell'aria sulla parte alta del filtro quando la valvola è aperta e la pompa è in azione; cfr. le voci 1.a e 1.b della presente sezione.
- B. Fino a che non è stata filtrata tutta l'acqua inizialmente collocata nella piscina, sono normali cicli di filtraggio più brevi tra le pulizie. Nella maggior parte dei casi, i possessori di piscine sono scoraggiati dal colore e dall'aspetto poco piacevoli dell'acqua in una piscina appena riempita. La polvere di gesso può essere responsabile di cicli di filtraggio brevi che richiedono una pulizia frequente.

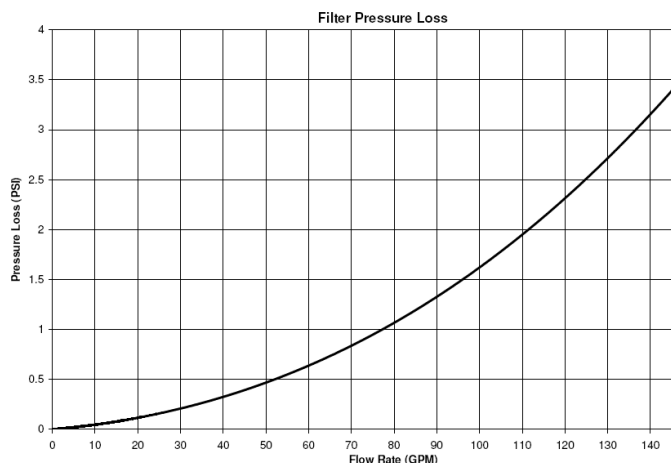
- C. Se la pressione scende sul manometro, controllare prima la cesta dello skimmer e quella della pompa per eventuali residui. Se le ceste sono pulite, chiudere l'alimentazione della pompa e spegnere i controlli automatici. Poi ruotare la camma del motore con le dita. Se gira liberamente, la pompa va smontata e si deve controllare la girante per vedere se è ostruita. Se non è congelata né ostruita, c'è un blocco nella linea tra la piscina e la pompa.
- D. Il manometro è un elemento importante delle filtro. È il principale indicatore di funzionamento dell'impianto. Accertarsi che il manometro sia sempre funzionante. Verificare il funzionamento del manometro come segue:
1. Il manometro deve scendere a zero (0) quando l'impianto è spento e la pressione viene sfogata.
 2. Il manometro deve indicare la pressione quando l'impianto è in funzione.
 3. Il manometro deve essere leggibile e non deve aver subito alcun danno.
 4. Sostituire il manometro se non rispetta le condizioni elencate da D.1 a D.2 nella presente sezione

Sezione 4.

INDIVIDUAZIONE E CORREZIONE DEI GUASTI

A. Grafico della perdita di carico del filtro

B. Tabella portata.



| | | | Domestico Massima portata della cartuccia | | |
|---------------|--------|----------------|--|--------|--------|
| N° de modello | sq.ft. | M ² | m ³ /h | 6 ore | 8 ore |
| PXC -RP100 | 100 | 9.3 | 11.4 | 68.40 | 91.20 |
| PXC-RP150 | 150 | 13.9 | 17.0 | 102.00 | 136.00 |
| PXC-RP200 | 200 | 18.6 | 22.7 | 136.20 | 181.60 |

(1) La portata raccomandata per impianti domestici è 0.5 GPM per piede quadrato.

NOTA: La reale portata del sistema dipenderà dalle dimensioni dell'impianto idraulico e altri componenti del sistema.

GARANZIA LIMITATA DI 2 ANNI

Ulteriori dettagli : www.pentairpooleurope.com

SAVE THESE INSTRUCTIONS !



PENTAIR AQUATIC SYSTEMS

INDUSTRIEPARK WOLFSTEE, TOEKOMSTLAAN 30, 2200 HERENTALS - BELGIUM, WWW.PENTAIRPOOLEUROPE.COM

Copyright – Limited License: except as specifically permitted herein, no portion of the content on this document may be reproduced in any form or by any mean without the prior written permission of Pentair International SRL.

Copyright – Eingeschränkte Lizenz: soweit hierin nicht ausdrücklich zugelassen, dürfen die Inhalte dieses Dokuments ohne vorausgehende schriftliche Genehmigung der Pentair International SRL weder ganz noch auszugsweise und in gleich welcher Form und mit welchen Mitteln vervielfältigt werden.

Copyright – Beperkte licentie: behalve zoals hierin specifiek toegestaan, mag geen enkel deel van de inhoud van dit document op om het even welke manier of hoe dan ook gereproduceerd worden zonder de voorafgaande schriftelijke toestemming van Pentair International SRL.

Copyright – Licence limitée: sauf expressément autorisé ci-après, aucune partie du contenu de ce document ne peut être reproduite sous toute forme ou par tout moyen sans la permission écrite préalable de Pentair International SRL.

Copyright – Licencia limitada: salvo en lo expresamente permitido en el presente documento, se prohíbe la reproducción total o parcial del mismo por cualquier medio sin la previa autorización por escrito de Pentair International SRL.

Copyright – Licenza limitata: se non indicato specificatamente di seguito, nessuna porzione del contenuto di questo documento può essere riprodotta in qualsiasi forma o con qualsiasi mezzo senza preventiva autorizzazione scritta di Pentair International SRL.