



FULL INVERTER HEAT PUMPS

# INVERTEMP-LT

The efficiency of a 100%  
inverter heat pump



- Improved bathing comfort
- Optimal performance: the best technology
- Peace of mind: silence and reliability



# INVERTEMP-LT

**Summer is the ideal season to enjoy your pool,  
but why limit it?**

The Pentair InverTemp®-LT heat pump automatically heats or cools your pool according to the desired temperature. It adapts to outdoor conditions to ensure optimum bathing comfort while optimising consumption.

Equipped with Full Inverter technology, the new Pentair InverTemp®-LT heat pump delivers high and silent performance, thanks to the combination of an inverter compressor and a variable speed fan.

A control panel allows the user to select any operating mode, which will automatically adjust the speed of the heat pump.

An active defrosting function that uses cycle inversion enables the heat pump to work at temperatures as low as -15°C.



# BENEFITS



## High efficiency and optimised operation costs

The reversible InverTemp-LT heat pump is the most virtuous solution for heating or cooling your pool. Its performance coefficient is much higher than market standards. Precise temperature control prevents wasted energy.



## Silence by the pool

InverTemp-LT is one of the quietest heat pumps on the market (<40 dB (A) @10 m in lab certified Boost mode).



## Standalone operation

The heat pump has autonomous speed and power regulation to keep the water at the desired temperature.



## Eco-responsible and clean

The InverTemp-LT heat pump uses renewable energy from outside air to heat the water without discharging odour or particles into the atmosphere. The refrigerant used, R32, is efficient and more environmentally friendly.



## Simple and intuitive interface

Easy to use and control thanks to the LCD screen. Compatible with automation systems via a dry contact (On/Off).



## Independent defrosting

Its automatic active defrosting function prevents performance-damaging frost and enables it to operate at low temperatures.



## Built to last

Made with quality components that ensure a long service life (titanium exchanger).

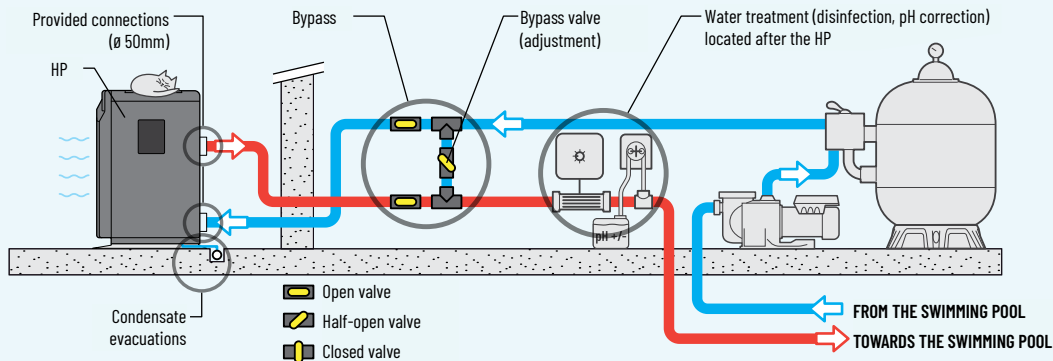


More efficient R32 fluid with no impact on the ozone layer



# THREE OPERATING MODES

- + **Boost mode**  
fast heating, ideal at the start of the season
- + **Eco-Silence mode**  
silent operation, ideal during the season
- + **Smart mode**  
optimum and automatic operation: maximum serenity



# FIND THE MODEL FOR YOUR POOL!



<sup>(1)</sup> Recommended pool size (m <sup>3</sup> )	Model	Heating power (Boost mode)				Sound pressure dB (A) @ 10m Eco-Boost Mode	Power supply
		Dry air 28°C - Relative humidity 80% Water temperature 28°C		Dry air 15°C - Relative humidity 70% Water temperature 26°C			
		kW	COP	kW	COP		
<b>15-30</b>	<b>InverTemp-LT 1M</b>	6.8	5.9 - 6.5	5.4	4.5 - 4.8	24 - 26	220-240V mono
<b>30-45</b>	<b>InverTemp-LT 2M</b>	8.8	5.5 - 6.5	6.6	4.4 - 4.9	20 - 28	
<b>45-55</b>	<b>InverTemp-LT 3M</b>	10.6	5.4 - 6.8	7.8	4.9 - 5.2	28 - 31	
<b>55-70</b>	<b>InverTemp-LT 4M</b>	12.8	5.6 - 6.8	9.8	4.5 - 5.0	26 - 32	
<b>70-85</b>	<b>InverTemp-LT 5M</b>	16.5	5.1 - 6.0	11.5	4.2 - 4.6	28 - 33	
<b>85-105</b>	<b>InverTemp-LT 6M</b>	20.1	5.2 - 5.9	14.6	4.3 - 4.6	28 - 34	
<b>105-130</b>	<b>InverTemp-LT 7M</b>	24.2	5.4 - 6.0	18.2	4.4 - 4.6	30 - 39	380V / three-phase
<b>130-160</b>	<b>InverTemp-LT 8T</b>	27.8	5.2 - 5.9	22.8	4.2 - 4.5	31 - 40	

<sup>(1)</sup> For information purposes only for a private seasonal residential pool

<sup>(2)</sup> According to the NF 414 standard



## PENTAIR

### PENTAIR POOL EUROPE

[www.pentairpooleurope.com](http://www.pentairpooleurope.com)

All trademarks and logos shown are the property of Pentair.

Logos and trademarks of third parties are the property of their respective owners.

© 2021 Pentair, all rights reserved. invert-LT-FR\_03/21\_rev01



### MORE VIRTUOUS POOLS WITH PENTAIR!

Learn more about:  
[blog.pentairpooleurope.com](http://blog.pentairpooleurope.com)