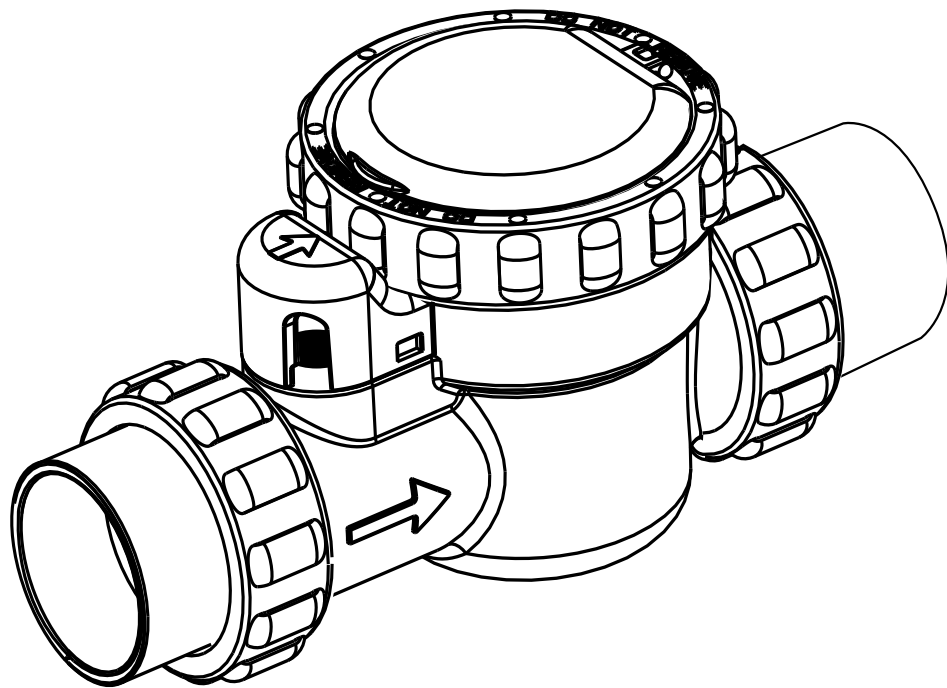




SC-75™ SALT CHLORINATOR

**INSTALLATION GUIDE / INSTALLATIEHANDLEIDING
BEDIENUNGSANLEITUNG / GUIDE D'INSTALLATION
GUIA DE INSTALACION / GUIDE ALL'INSTALLAZIONE**



English
2

Deutsch
22

Nederlands
42

Français
62

Español
82

Italiano
102

IMPORTANT SAFETY INSTRUCTIONS READ AND FOLLOW ALL INSTRUCTIONS SAVE THESE INSTRUCTIONS

Customer Support

HERENTALS, BELGIUM (8:30 A.M. to 4:30 P.M.) CET

Website : www.pentairpooleurope.com

E-mail : poolemea@pentair.com

Declaration of conformity

We declare, under our sole responsibility, that the product identified in this declaration, and to which this declaration relates, are in conformity with the protection requirements of Council Directive 2006/42/EEG



The manufacturer, Pentair, has the right to modify the products without previous notice for as far as the characteristics are not really changed by this.

© 2015 Pentair, Inc. All rights reserved. This document is subject to change without notice.

Trademarks and disclaimers: All Pentair trademarks and logos are owned by Pentair, Inc. Sta-Rite™, SC-75™, IntelliPool®, ControlPro™, Rainbow®, Eco Select® and Pentair Aquatic Systems™ are trademarks of Pentair Inc. and/or its affiliated companies in the United States and/ or other countries. Unless expressly noted, names and brands of third parties that may be used in this document are not used to indicate an affiliation or endorsement between the owners of these names and brands and Pentair Inc. Those names and brands may be the trademarks or registered trademarks of those third parties.

⚠ DANGER Failure to follow the instructions in this manual may result in serious adverse health effects, or even serious or fatal injury. Failure to follow the instructions in this manual will in all cases invalidate all guarantees and liability on the part of the manufacturer. INSTALLERS, OPERATORS AND OWNERS MUST READ THESE WARNINGS AND ALL INSTRUCTIONS IN THE OWNER'S MANUAL BEFORE USING THIS CLEANER. THESE WARNINGS AND THE OWNER'S MANUAL MUST BE LEFT WITH THE HOME OWNER.

IMPORTANT WARNING AND SAFETY INSTRUCTIONS



Important Notice:

⚠ WARNING

Attention Installer: This guide contains important information about the installation, operation and safe use of this product. This information should be given to the owner and/or operator of this equipment after installation of the salt chlorinator.

Attention User: This manual contains important information that will help you in operating and maintaining this salt chlorinator. Please retain it for future reference. Consult Pentair with any questions regarding this equipment.

Before installing this product, read and follow all warning notices and instructions which are included. Failure to follow safety warnings and instructions can result in severe injury, death, or property damage. Visit www.pentairpooleurope.com for additional free copies of these instructions.

Consumer Information and Safety

This salt chlorinator is designed and manufactured to provide many years of safe and reliable service when installed, operated and maintained according to the information in this manual. Throughout the manual, safety warnings and cautions are identified by the "⚠" symbol. Be sure to read and comply with all of the warnings and cautions.

⚠ WARNING

To reduce the risk of injury, do not permit children to use this product. Service should only be executed by a qualified service professional.

⚠ WARNING

CHLORINE GAS BUILDUP CAN OCCUR WITH IMPROPER WIRING: To reduce the risk of personal injury the SC-75 Salt Chlorinator Power Center must be installed on and wired to the load side of the time clock, electronically controlled switch, or relay load side, so that it will receive power only when the pool pump is on. Otherwise, dangerous chlorine gas buildup can occur. The unit should never be energized when the pool pump is OFF and water is not flowing through the unit.

Never operate the SC-75 without proper flow or water circulation. A build-up of flammable gases will result in hazardous conditions.

⚠ CAUTION

SC-75 Salt Chlorinator is for use with permanently installed pool and may also be used with hot tubs and spas if so marked. Do not use with storable or steel pools. A permanently installed pool is constructed in or on the ground or in a building such that it cannot be readily disassembled for storage. A storable pool is constructed so that it is capable of being readily disassembled for storage and reassembled to its original integrity.

IMPORTANT WARNINGS AND SAFETY INSTRUCTIONS - CONTINUED

⚠ WARNING When mixing acid with water, **ALWAYS ADD ACID TO WATER. NEVER ADD WATER TO ACID.**

⚠ CAUTION Use of chemicals other than those recommended may be hazardous. Even proper use of the recommended chemicals can be hazardous. Follow the Chemical Manufacturer's Instructions.

⚠ CAUTION To reduce the risk of electric shock, install SC-75 Salt Chlorinator a minimum of 1.5m away from the inside wall of the pool. Install the unit a minimum of 1m away from the heater outlet.

⚠ WARNING Salt is an inherently corrosive material. While the levels of salt, required for proper operation of the SC-75™ Salt Chlorinator, are relatively low when compared to sea water and other salt solutions, placing any amount of salt in your pool increases the likelihood of corrosion or other deterioration of pool equipment and any surfaces used in and around your pool. Metal parts (including metal pools) and certain natural and man-made surfaces are particularly susceptible to corrosion and deterioration when used in and around salt water pools. Pentair Aquatic Systems ("Pentair") does not represent or otherwise guarantee that the proper use of the SC-75 Salt Chlorinator will prevent corrosion or other deterioration of pool equipment and any surfaces used in and around your pool. Consult your experienced pool professional, who should be able to advise you on the proper material selection, installation techniques for those materials, and the proper use, care and maintenance of those materials for your specific pool type and location in order to minimize the corrosion and deterioration that is inherent in and around salt water pools.

Limited Warranty Terms & Conditions

Before installing your SC-75, review and understand all warnings, safety and warranty information in this guide. Failure to follow these instructions or improper installation of the cleaner can result in damage to the pool finish or the vinyl liner, Pentair Aquatic Systems disclaims any liability for repairs or replacement to any of these structures or components of the customer's pool.

Limited Warranty : 2 years

Further details : www.pentairpooleurope.com

Disclaimer of Liability - About your Pool and equipment

There are a multitude of factors that contribute to the life of your pool.

Please be aware that over time, deterioration, discoloration and brittleness of any pool finish can be caused separately by, or in combination with, age, an imbalance in pool water chemistry, improper installation and other factors.

The same situation holds true for vinyl-lined in-ground swimming pools, because vinyl liners are also affected by the environment and factors such as pool water chemistry, sunlight and the pool's surroundings. Therefore over time, vinyl can become brittle and weak. In addition, vinyl-lined pools are affected by the workmanship, composition and installation of the liner and the workmanship and quality of construction of the supporting walls and pool base. These are all factors which can contribute to liner failure. The manufacturer disclaims any liability for repairs or replacement to any of these structures or components of the customer's pool.

The pool owner must assume all responsibility for the condition and maintenance of the pool's surface, water and deck.

Before the SC-75 Salt Chlorinator is installed, please take a moment to record the serial number. You will be asked for this number when you contact our Technical Support Department.

SERIAL # _____

SC-75™ Salt Chlorinator OVERVIEW

The SC-75 Salt Chlorinator uses a process known as electrolysis to produce chlorine gas which immediately dissolves into a solution to create Hypochlorite and Hypochlorous acid pool and spa water sanitizer from a low concentration of salt added to the pool water. Hypochlorite and Hypochlorous kill bacteria, oxidizes organic material, and kills algae, then reverts back to salt. The SC-75 then reuses the salt and the process starts over again. The SC-75 system is comprised of Cell and Power Center.

CAUTION The SC-75 Salt Chlorinator is designed only to produce chlorine. The unit does not monitor or control chlorine levels in the pool or spa water. It is the pool owner's responsibility for monitoring and maintaining free chlorine levels at the APSP recommended range of 2.0 to 4.0 parts per million (ppm). It is the pool owner's responsibility to check, on a regular basis, the free chlorine level while the pool pump is running, and adjust the SC-75 accordingly.

WARNING Salt is an inherently corrosive material. While the levels of salt required for proper operation of the SC-75 Salt Chlorinator are relatively low when compared to sea water and other salt solutions, placing any amount of salt in your pool increases the likelihood of corrosion or other deterioration of pool equipment and any surfaces used in and around your pool. Metal parts (including steel pools) and certain natural and man-made surfaces are particularly susceptible to corrosion and deterioration when used in and around salt water pools. Pentair Aquatic Systems ("Pentair") does not represent or otherwise guarantee that the proper use of the SC-75 Salt Chlorinator will prevent corrosion or other deterioration of pool equipment and any surfaces used in and around your pool. Consult your experienced pool professional, who should be able to advise you on the proper material selection, installation techniques for those materials, and the proper use, care and maintenance of those materials for your specific pool type and location in order to minimize the corrosion and deterioration that is inherent in and around salt water pools.

CAUTION FOR ALL NEWLY CONSTRUCTED OR RESURFACED PLASTER POOLS: Do not operate the SC-75 with newly poured or resurfaced pool plaster. Salt is a corrosive element and severe salt damage can occur to your pool. Wait at least ONE (1) MONTH after construction to allow plaster to cure before adding salt and operating SC-75. Follow the pool surface manufacturer's guidelines for your specific pool. FOR NEW VINYL LINER POOLS, contact the manufacturer for recommended guidelines before adding salt and operating the SC-75.

SC-75 System Components

An SC-75 Salt Chlorinator system consists of one or more of the following ;

- **Y1146:** Designed for pools up to 90 m³. the cell will produce the equivalent of 0.45Kg of pure chlorine per 24hours of continuous pool pump run time.
- **SC-75P :** Power Center. Provides power to the SC-75 cell.

SC-75 Salt Chlorinator Control Panel and Cell Description

The SC-75 includes a control panel with buttons and LED indicators to control the unit and produce chlorine. The SC-75 measures the water temperature and salt level to produce chlorine at the defined output. If the salt level in the pool water is too low (red on salt display), the cell is turned off until salt is added to the pool. The controller has a self-cleaning cycle which reverses the cell polarity, reducing calcium buildup. This feature turns the cell on and off at regular intervals to minimize calcium and scale buildup and further maximizes cell life.

The SC-75 contains the control electronics and bipolar electrodes that electrically produce chlorine when energized with DC current. Chlorine is generated as pool water containing salt passes through the cell. The chlorine production can be varied by either adjusting the sanitizer output level on the control panel and/or by varying the number of hours the unit is on each day. The SC-75 automatically reverses the cell electrode blades every few hours to help clean the cell. This process does not interrupt the production of Chlorine. The SC-75 also contains a mechanical flow sensor to ensure the proper amount of water is passing through the cell to allow chlorination to occur. The SC-75 automatically measures the water salinity and temperature and displays three (3) salinity ranges on the control panel using LED indicators. The KECG includes a 3m. cable for connection to the Power Center.

- **Flow Sensor:** A flow sensor assures that there will always be adequate water flow through the SC-75. If the SC-75 is not properly plumbed and/or does not receive adequate water flow, no chlorine will be produced.
- **Temperature Sensor:** To protect the SC-75 from operation and potential damage when the temperature of the pool water falls below 11° C, ±1.67° C, the temperature sensor switches the cell off, illuminates the COLD WATER light and no chlorine will be produced.
- **Salt Sensor:** Two (2) salt sensor probes in the SC-75 are activated each time the SC-75 is switched on and again during every 12 hours of continuous running. At each of those times, the salt level LED indicator lights flash in a scrolling sequence for two (2) minutes to indicate that the SC-75 is in analysis mode. After two (2) minutes, the LED indicators lights will signal one (1) of three (4) salinity ranges. For more information, see “Salt Level Status LEDs”.

Note: The salt sensor reading is within +/- 500 ppm accuracy.

SC-75 Power Center

The power supply is connected with the pool circulation pump electrical source so that the SC-75 only operates when the pool pump is on. The Power Center should be mounted vertically on the wall up to three (3) meter away from the cell. The Power Center contains the transformer, fuse, and connector to the cell. A fuse holder is mounted on the bottom of the Power Center for additional protection. There are no other controls or lights on the Power Center. For information about installing and proper use of the Power Center, see the “SC-75 Power Center Installation Guide” .

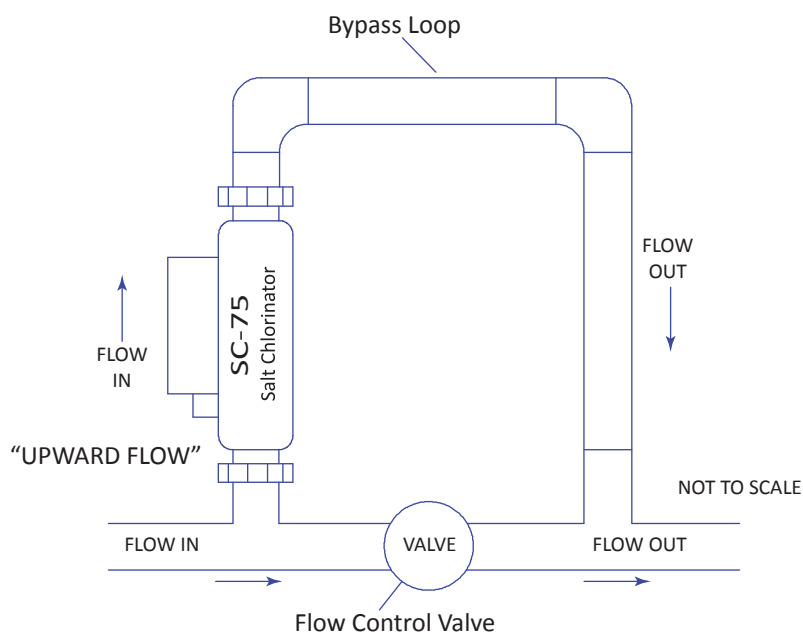
CAUTION The SC-75 Power Center does NOT control the pump. The SC-75 Salt Chlorinator only produces chlorine when the pool pump is on.



CAUTION Before plugging or unplugging the SC-75 Salt Chlorinator to the Power Center, first switch off the AC power to the Power Center.

Loop Plumbing Diagram

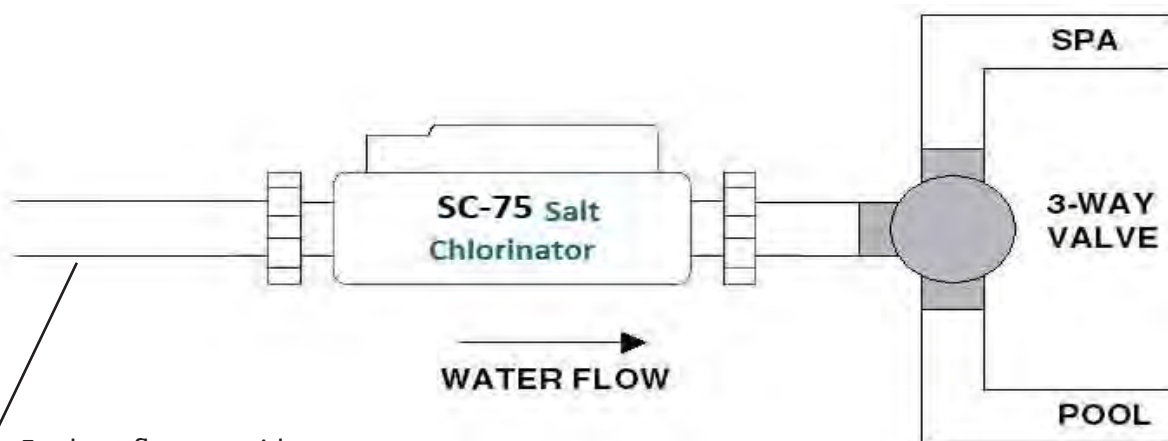
The SC-75 Salt Chlorinator is designed to operate with water flow rates from 5.7 m³/h to not exceed 24 m³/h. For flow rates over 18 m³/h minute you must use a bypass loop (as shown below) for best chlorine production. Installations with flow rates over 18m³/h include those that have in-floor cleaning systems or booster pumps. These systems MUST use a bypass loop with the SC-75 with a flow control valve that assures that the flow through the SC-75 is maintained within its designed operating water flow rates.



SC-75 Plumbing Diagram

Plumbing the SC-75 Salt Chlorinator:

- Always install the SC-75 Salt Chlorinator AFTER the filter and heater. The SC-75 should be no closer than 1m away from the heater outlet.
- If the SC-75 is installed on a pool/spa combination system, install (see diagram below) the SC-75 BEFORE the pool/spa return valve to allow proper chlorination of both the pool and spa and also to avoid creating gas traps in the pipes.



Note: For best flow, provide at least 30 to 45cm of straight pipe in front of the cell inlet.

NOT TO SCALE

SC-75 Control Panel

SALT STATUS LED INDICATORS

The SC-75 salt level checks the pool water daily and displays the levels as follows:

GREEN LED: Good Salt. The pool water salt level is between 2800ppm and 4500ppm, and the SC-75 is producing chlorine. SC-75 salt LED should always be showing GREEN level for optimum results. Ideal salt level is 3400ppm.

GREEN LED (FLASHING): Salt level is above 4500ppm. Chlorine is being produced but the salt level is too high which increases the risk of corrosion and deterioration of pool equipment and surfaces in and around the pool. Pool water needs to be drained and refilled 300 mm at a time until the salt level is below 4500ppm.

RED LED: Low salt. The water salt level is below 2800ppm. The SC-75 will be producing chlorine at a reduced efficiency. It is recommended to add salt (*)

FLASHING RED LED: Very low salt. The water salt level has dropped below 2600ppm. The SC-75 will not produce chlorine until salt is added. The SC-75 is off. (*)

(*) After every salt addition, pump should run for at least 24 hours for proper dilution. Salinity readings should only be taken after the 24 hour dilution period.

STATUS LED INDICATORS

CELL: SHOWS THE STATUS OF THE SC-75

GREEN FLASHING: The SC-75 needs to be inspected. The blades may be calcified. The SC-75 will not be producing chlorine.

GREEN: SC-75 is performing good and producing chlorine

NO LIGHT: The SC-75 is off and not producing chlorine. It may be in an off cycle of the sanitizing process and will return on in due course.

RED: The SC-75 is in "Standby" mode (system off, no chlorine generation) due to cold weather condition. The SC-75 will resume chlorine production once the water temperature goes above 11 ° C.

FLOW: THIS LIGHT INDICATES THE STATUS OF THE WATER FLOWING THROUGH THE SC-75

RED: Insufficient water flow through the SC-75, no chlorine is being produced.

GREEN: Sufficient water flowing through the SC-75, chlorine is being produced.

OUTPUT LED INDICATORS

The three (3) LED indicators display as a bar graph to show in increments, the percentage of time the chlorine is produced per hour of pump run time. In BOOST mode, these LEDs blink from bottom to top.

Note: If no LEDs are lit, the output is set to 0% and the SC-75 Salt Chlorinator is not producing chlorine.

- 0% 0 LED lit - No chlorine produced - SC-75 Salt Chlorinator is off.
- 33.3% 1 LED lit - Produces chlorine 33% of each hour of pump run time.
- 66.6% 2 LED lit - Produces chlorine 66% of each hour of pump run time.
- 100% 3 LED lit - Produces chlorine 100% of each hour of pump run time.

More and Less Output Buttons

The More and Less buttons control the percentage of time of each hour that the SC-75 Salt Chlorinator is producing chlorine while the pump is on (see Sanitizer Output LED indicators above). The lights act as a bar graph: the more lights that are on, the more chlorine is produced. Flip the panel cover up to access the More, Less and Boost On/Off buttons. To exit Boost mode, press and hold both the buttons.

More: Increases the time the cell produces chlorine.

Less: Decreases the time the cell produces chlorine.

Boost On/Off: Press and hold both the More and Less buttons together to activate Boost mode on or off. Boost mode sets the sanitizer output to run 100% for the next 24 hours of pool pump run time. If the time clock switches off the pump cycle, then switches power back on the next day, Boost mode will continue until 24 hours has elapsed since Boost mode was turned on or Boost mode is canceled by the user. The Sanitizer Output display will show a pattern LED display to indicate Boost mode.

Self-Cleaning

The self-cleaning feature reduces scale buildup on the blades of the SC-75. The self-cleaning cycle tends to reduce the life of the SC-75, therefore, it should be used only to the extent necessary to minimize the scale buildup on the blades. The self-cleaning cycle can be adjusted to run every 3, 4, or 5 hours, whichever is the optimal for your particular pool conditions in order to minimize scale buildup but maximize the life of the SC-75. It is factory set to two (2) hours for the first 30 days of operation, then automatically switches to three (3) hours. To change the self-cleaning cycle, press and hold the LESS button for three (3) seconds. The sanitizer output display will show the number of hours in a bar graph style. The number of output LEDs lit is the number of reverse hours. Pressing More or Less button will change this setting.

Pool Water Chemistry, Conditions and Precautions

This section describes the startup procedure and operating instructions for SC-75 Salt Chlorinator.

Pool Water Chemistry, Conditions and Precautions

1. **New Pool Water:** A recently filled or newly-refinished pool may contain undesirable matter. This undesirable matter could interfere with SC-75's ability to chlorinate properly. Make sure the water is tested by a pool professional and properly balanced before switching on the SC-75 Salt Chlorinator.

⚠ WARNING Salt is an inherently corrosive material. While the levels of salt required for proper operation of the SC-75 Salt Chlorinator are relatively low when compared to sea water and other salt solutions, placing any amount of salt in your pool increases the likelihood of corrosion or other deterioration of pool equipment and any surfaces used in and around your pool. Metal parts (including steel pools) and certain natural and man-made surfaces are particularly susceptible to corrosion and deterioration when used in and around salt water pools. Pentair Aquatic Systems ("Pentair") does not represent or otherwise guarantee that the proper use of the SC-75 Salt Chlorinator will prevent corrosion or other deterioration of pool equipment and any surfaces used in and around your pool. Consult your experienced pool professional, who should be able to advise you on the proper material selection, installation techniques for those materials, and the proper use, care and maintenance of those materials for your specific pool type and location in order to minimize the corrosion and deterioration that is inherent in and around salt water pools.

2. **Super Chlorination** burns out the swimmer waste that has combined with chlorine. This frees the chlorine for sanitizing. This is accomplished by raising the chlorine level quickly and dramatically. When the chlorine level is raised to ten (10) times the amount of combined chlorine (usually 5 to 10 ppm) the pool water is said to have been super chlorinated. As pool water is continuously passed through the SC-75 while the unit is powered on, all pool water inside the SC-75 is being super chlorinated. When the SC-75 Salt Chlorinator is used on pools, the pool water sparkles and does not burn the eyes because of the absence of chloramines.

Note: On initial start-up of a pool, it is best to super chlorinate using an outside source, i.e., use a shock treatment available at your local pool supplier.

3. **Chloramines** should not be present in pool water. Chloramines are formed when ammonia (which is found in urine and sweat) combine with free chlorine. This ties up the free chlorine in your pool and does not allow the chlorine in your pool to disinfect. Chloramines also burn the eyes and are foul smelling. Super Chlorinate to remove chloramines at the initial start-up of the pool and as needed to maintain proper levels of free chlorine.

4. **Cyanuric acid** is needed in outdoor pools to help to stabilize and maintain proper levels of chlorine. 90% of unstabilized chlorine is destroyed by the UV radiation from the sun within two hours. Cyanuric acid stabilizes chlorine in water from UV degradation. When using the SC-75, the cyanuric acid level should be maintained between 30-50 ppm. See Table 2.

NOTE: DO NOT USE CYANURIC ACID IN INDOOR POOLS.

5. **Total Dissolved Solids (TDS):** Adding salt to pool water will raise the TDS level. While this does not adversely affect the pool water chemistry or clarity, the pool water professional testing for TDS must be made aware salt has been added to the SC-75 system. The individual performing the TDS test may then subtract the salinity level to arrive at a TDS level that would be compatible to a TDS reading for a non-salt water pool.

6. **Metals** - Some metals, i.e. copper and iron, can cause loss of chlorine. Also, metals can stain your pool. Metals can also damage the SC-75 Salt Chlorinator. Have your local pool professional check for metals and recommend methods of removal.

7. **Nitrates and Phosphates** can cause extremely high chlorine demands and will deplete chlorine from your swimming pool. In some cases nitrates may even lower your chlorine levels to zero. Your local pool professional can test for nitrates and phosphates. While a 0 ppm level of nitrates is the ideal, the pool owner should make sure that nitrates DO NOT exceed 10 ppm. Phosphates should not exceed 125 parts per billion (ppb).

Optimum Pool Water Chemistry Conditions for Salt Water Pools (using the SC-75 Salt Chlorinator)

In accordance with the Association of Pool and Spa Professionals (APSP) standards, it is recommended that the following pool water chemistry conditions be maintained on an on going basis to help protect pool users, pool related equipment and surfaces in and around the pool. These values are important to maintaining the pool equipment in proper operating condition and preventing corrosion, liming or other problems. The SC-75 Salt Chlorinator is warranted to operate properly only if these conditions are met. For more information, refer to your local agency having jurisdiction, NSPI (National Spa and Pool Institute), the CDC (Centers for Disease Control), or the WHO (World Health Organization).

Free Chlorine:	2.0 - 4.0 ppm. Above 4.0 ppm may cause corrosion of metal components
Combined Chlorine (Chloramines):	None (super chlorinate to remove all chloramines)
pH:	7.2 - 7.8 (USE MURIATIC ACID to lower pH and Soda Ash to raise pH.)
Cyanuric Acid:	30 - 50 ppm
Total Alkalinity:	80 - 120 ppm
Calcium Hardness:	200 - 400 ppm
TDS (includes salt):	3000 minimum to 5700 to 6000 maximum ppm
Salt:	3000 - 4500 ppm (ideal 3400 ppm)
Metals (Copper, Iron, Manganese):	None
Nitrates:	None
Phosphates:	Less than 125 ppb
Saturation Index	-0.3 to 0.3 (zero (0) best)

Covered Pools and Vinyl Liner Pool and Lowering Chlorine Output Levels

When using the SC-75 Salt Chlorinator with covered pools and/or vinyl liner pools, less chlorine is needed. It is recommend to lower the chlorine output level while the pool is covered.

Chlorine Testing

It is recommended that chlorine test samples be taken from two (2) locations in the pool. Compare the samples. A higher level should be found at the pool return line. The higher level at the pool return line indicates the SC-75 is producing chlorine. Take chlorine samples for testing at:

- The pool return line.
- 450mm below the surface and well away from the pool return line.

What Type of Salt to Use

The purer the salt, the better the life and performance of the SC-75 Salt Chlorinator. Use salt that is at least 99.8% pure NaCl, sodium chloride. The preferred and recommended salt is an evaporated, granulated, food quality, non-iodized salt with no additives. Consult your pool professional/salt supplier.

- Avoid using salt with anti-caking agents (sodium ferrocyanide, also known as YPS or yellow prussiate of soda). Filling agents can cause some discoloration of fittings and surface finishes in pool.
- Water conditioning salt pellets are compressed forms of evaporated salt and may be used, but will take longer to dissolve. Such pellets could damage pool plaster and other surfaces in and around the pool.
- Do not use calcium chloride or potassium chloride as a source of salt. (Use sodium chloride only).
- Do not use Rock salt (insoluble impurities mixed with the rock salt can shorten the life of the SC-75).

How Much Salt to Use?

CAUTION FOR ALL NEWLY CONSTRUCTED OR RESURFACED PLASTER POOLS: Do not operate the SC-75 with newly poured or resurfaced pool plaster. Salt is a corrosive element and severe salt damage can occur to your pool. Wait at least ONE (1) MONTH after construction to allow plaster to cure before adding salt and operating SC-75. Follow the pool surface manufacturer's guidelines for your specific pool.

FOR NEW VINYL LINER POOLS, contact the manufacturer for recommended guidelines before adding salt and operating SC-75.

Use the Table 1 chart to determine how much salt will be needed. Most pools contain some salt, depending on the water source and chemicals used for sanitizing. Therefore, the pool owner must always test salt levels before adding salt. A hand held meter calibrated for NaCl (salt) can be used to determine the salt levels of the pool water. After the SC-75 Salt Chlorinator is powered on, the LED salt level lights will blink from bottom to top for two (2) minutes while it analyzes the pool water, then the LED indicators will show one (1) of four (4) salt level ranges. This solid light indicates the salt status of the pool.

- 3000 to 3500 ppm of salt is recommended for optimum water conditions.
- Low salt concentration below 2600 ppm will cause the unit to turn off
- High salt concentration above 4500 ppm may cause excessive corrosion or deterioration to pool equipment and surrounding surfaces in and around the pool.

Note: Salt measurements will vary between measuring devices (salt test strips, electronic testers, and titration). The salt sensor reading is within +/- 500 ppm accuracy. For more troubleshooting information about high salt levels, see "Troubleshooting".

Calculating the Saturation Index

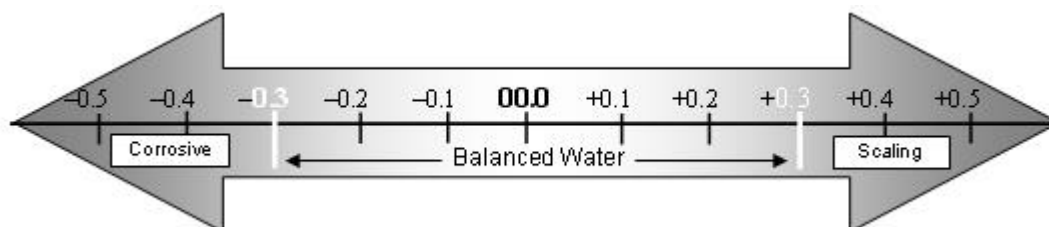
The saturation index is a formula that relates pH, calcium and alkalinity in the pool water. A well balanced pool water will have a formula result range between -0.3 and 0.3 Outside this range, the pool water is out of balance, potentially damaging pool equipment or scaling the SC-75. The equation to calculate Si is:

SI = pH + CHF + AF + TF + TDSF					
Saturation Index	pH as tested	Calcium Hardness Factor	Alkalinity Factor	Temperature Factor	TDS Factor

Cyanuric acid in the form of cyanurate ions contribute to alkalinity. Thus, a correction must be made to total alkalinity. We subtract 1/3 of the cyanuric acid level from the reading obtained in the total alkalinity test.

Total Alkalinity - 1/3 Cyanuric Acid = Corrected Alkalinity

This correction can be considerable in established pools with high cyanuric acid levels; for example, at 240 ppm cyanuric acid, the correction amounts to 80 ppm ($240 \div 3 = 80$).



TDS Factor (Factors shown below are based on the actual measured value for the particular parameter)

TDS	Factor
<1000	12.10
1000	12.19
2000	12.29
3000	12.35
4000	12.41
5000	12.44

Langelier Saturation index Factors

Temperature			Calcium Hardness		Total Carbonate Alkalinity	
°F	°C	TF	ppm (mg/L)	CHF	ppm (mg/L)	AF
32	0.0	0.0	25	1.0	25	1.4
37	2.8	0.1	50	1.3	50	1.7
46	7.8	0.2	75	1.5	75	1.9
53	11.7	0.3	100	1.6	100	2.0
60	15.6	0.4	125	1.7	125	2.1
66	18.9	0.5	150	1.8	150	2.2
76	24.4	0.6	200	1.9	200	2.3
84	28.9	0.7	250	2.0	250	2.4
94	34.4	0.8	300	2.1	300	2.5
105	40.6	0.9	400	2.2	400	2.6
			800	2.5	800	2.9

How to Add Salt to the Pool

CAUTION FOR ALL NEWLY CONSTRUCTED OR RESURFACED PLASTER POOLS: Do not operate the SC-75 with newly poured or resurfaced pool plaster. Salt is a corrosive element and severe salt damage can occur to your pool. Wait at least ONE (1) MONTH after construction to allow plaster to cure before adding salt and operating SC-75. Follow the pool surface manufacturer's guidelines for your specific pool.

FOR NEW VINYL LINER POOLS, contact the manufacturer for recommended guidelines before adding salt and operating SC-75.

1. Check salt level in pool water before adding any salt to pool.
2. Determine the amount of salt from the following charts.
3. Slowly pour in the salt around the outer perimeter of the pool for quick and even distribution.
 - a. To avoid clogging the filter or damaging pool related equipment and surrounding surfaces, do not add salt through the skimmer or surge tank.
4. Brush the pool bottom and allow water to circulate for 24 hours to dissolve salt completely.
5. After 24 hours, verify correct salt level reading by checking the LED indicators on the SC-75 Salt Chlorinator and by a separate reliable test method.
6. Power on the SC-75 Salt Chlorinator and set the Sanitizer Output level to the proper setting to maintain the appropriate free chlorine levels in the pool water (i.e., within the 2.0 - 4.0 ppm, APSP recommended range).

Pool Water Preparation

Determining Pool Size (liters of water in your pool)

- **Rectangular Pools:** Length x width (meters) x average depth x 1000
- **Circular Pools:** Diameter x diameter x average depth x 785
- **Oval Pools:** Length x width (meters) x average depth x 893
- **Sloping Sides:** Multiply total liters by 0.85 = liter capacity.

CAUTION Never use dry acid (sodium bisulfate) to adjust pH in arid geographic areas with excessive evaporation and minimal dilution of pool water with fresh water. A buildup of byproducts can damage the SC-75.

TABLE 1. Approximate pounds (lbs) / kilogram (kg) of salt needed to obtain 3.400ppm in pool

CHART FOR ADDITION OF SALT TO 3400														
Pool Litres		0 ppm	250 ppm	500 ppm	750 ppm	1000 ppm	1250 ppm	1500 ppm	1750 ppm	2000 ppm	2250 ppm	2500 ppm	2800 ppm	3000 ppm
37,800	lbs	284.00	263.12	242.24	221.35	200.47	179.59	158.71	137.82	116.94	96.06	75.18	50.12	33.1
	kg	128.82	119.35	109.88	100.41	90.93	81.46	71.99	62.52	53.04	43.57	34.10	22.73	15.16
45,400	lbs	340.80	315.74	290.68	265.62	240.56	215.51	190.45	165.39	140.33	115.27	90.21	60.14	40.09
	kg	154.59	143.22	131.85	120.49	109.12	97.75	86.39	75.02	63.65	52.29	40.92	27.28	18.19
53,000	lbs	397.60	368.36	339.13	309.89	280.66	251.42	222.19	192.95	163.72	134.48	105.25	70.16	46.78
	kg	180.35	167.09	153.83	140.57	127.31	114.05	100.78	87.52	74.26	61.00	47.74	31.83	21.22
60,600	lbs	454.40	420.99	387.58	354.16	320.75	287.34	253.93	220.52	187.11	153.69	120.28	80.19	53.46
	kg	206.12	190.96	175.80	160.65	145.49	130.34	115.18	100.03	84.87	69.72	54.56	36.37	24.25
68,100	lbs	511.20	473.61	436.02	398.44	360.85	323.26	285.67	248.08	210.49	172.91	135.32	90.21	60.14
	kg	231.88	214.83	197.78	180.73	163.68	146.63	129.58	112.53	95.48	78.43	61.38	40.92	27.28
75,700	lbs	568.00	526.24	484.47	442.71	400.94	359.18	317.41	275.65	233.88	192.12	150.35	100.24	66.82
	kg	257.64	238.70	219.76	200.81	181.87	162.92	143.98	125.03	106.09	87.14	68.20	45.47	30.31
83,300	lbs	568.00	526.24	484.47	442.71	400.94	359.18	317.41	275.65	233.88	192.12	150.35	100.24	66.82
	kg	257.64	238.70	219.76	200.81	181.87	162.92	143.98	125.03	106.09	87.14	68.20	45.47	30.31
90,900	lbs	681.60	631.48	581.36	531.25	481.13	431.01	380.89	330.78	280.66	230.54	180.42	120.28	80.19
	kg	309.17	286.44	263.71	240.97	218.24	195.51	172.77	150.04	127.31	104.57	81.84	54.56	36.37
106,000	lbs	795.20	736.73	678.26	619.79	561.32	502.85	444.38	385.91	327.44	268.96	210.49	140.33	93.55
	kg	360.70	334.18	307.66	281.14	254.61	228.09	201.57	175.05	148.52	122.00	95.48	63.65	42.44
113,600	lbs	852.00	789.35	726.71	664.06	601.41	538.76	476.12	413.47	350.82	288.18	225.53	150.35	100.24
	kg	386.47	358.05	329.63	301.22	272.80	244.38	215.97	187.55	159.13	130.72	102.30	68.20	45.47

TABLE 2. Approximate amount of stabilizer (cyanuric acid) to obtain 40ppm in pool

Current Cyanuric Acid Level - ppm	10,000 g (38,000 L)	12,000 g (45,425 L)	14,000 g (53,000 L)	16,000 g (60,600 L)	18,000 g (68,137 L)	20,000 g (76,000 L)	22,000 g (83,300 L)	24,000 g (90,850 L)	26,000 g (98,421 L)	28,000 g (106,000 L)	30,000 g (134,000 L)
0	3.25 (1.47 kg)	3.90 (1.77 kg)	4.55 (2.6 kg)	5.20 (2.36 kg)	5.85 (2.65 kg)	6.50 (2.94 kg)	7.15 (3.24 kg)	7.80 (3.53 kg)	8.45 (3.83 kg)	9.10 (4.12 kg)	9.75 (4.42 kg)
10	2.43 (1.10 kg)	2.92 (1.32 kg)	3.40 (1.54 kg)	3.89 (1.76 kg)	4.37 (1.98 kg)	4.86 (2.20 kg)	5.35 (2.42 kg)	5.83 (2.64 kg)	6.32 (2.86 kg)	6.80 (3.08 kg)	7.29 (3.30 kg)
20	1.62 (0.73 kg)	1.94 (0.88 kg)	2.27 (1.03 kg)	2.59 (1.17 kg)	2.92 (1.32 kg)	3.24 (1.47 kg)	3.56 (1.61 kg)	3.89 (1.76 kg)	4.21 (1.91 kg)	4.54 (2.05 kg)	4.86 (2.20 kg)

NOTE: The cyanuric acid reading should be maintained at 30 - 50ppm.

Section 3

Operating SC-75™ Salt Chlorinator

This section describes the startup procedure and operating instructions for SC-75 Salt Chlorinator.

Before starting up and operating SC-75, the pool in which the SC-75 will be used must have been completed and filled with water for at least one (1) month (for plaster pools) and the pool water salt level must be stable and being maintained at 3.300 to 3.600 ppm.

Initial Startup Period

For the first thirty (30) days of cell operation, the self-cleaning cycle, is factory set to two (2) hours. After thirty (30) days has elapsed, SC-75 will automatically set itself to three (3) hour self-cleaning cycle. This feature will clean the SC-75 blades more often during the initial installation, then go to a more standard self-cleaning cycle for longer blade life.

Operation

Use of an external Pool Pump Timer is not required

The SC-75 is designed to supply a sufficient amount of chlorine to sanitize pool water on a daily basis. If the pool pump is continuously running and the SC-75 is operated 24 hours a day at 100%, more chlorine would be generated than would be needed by most pools (2-4 ppm, per APSP recommendations). The SC-75 has its own internal timer which cycles the electrolytic cell on and off depending on what percent the Sanitizer Output is set.

CAUTION The SC-75 is designed only to produce chlorine. The SC-75 does not monitor or control chlorine levels in the pool or spa water. It is the pool owner's responsibility for monitoring and maintaining free chlorine levels at 2.0 to 4.0 parts per million (ppm) according to APSP recommendations. It is the pool owner's responsibility to check the free chlorine level while the pool pump is running on a regular basis, and adjust the Sanitizer Output on the SC-75 accordingly.

CAUTION Before attempting to operate SC-75 refer to "General Recommendations and General Cautions", at the end of this section, and "Pool Water Preparation" in previous section. Also, do not adjust Sanitizer Output above 20% until it is certain that salt has been dissolved in your pool. Operating without salt will result in the unit turning off and lighting the ADD SALT light on the salt display. No chlorine will be produced until salt is added to the pool.

If you use a Pool Pump Timer

The Association of Pool and Spa Professionals (APSP) recommends that all water in a residential pool pass through the filtration system at least once every 24 Hours (referred to as pool water turnover). However, many factors have an effect on actual pump and filter system run times. Pool size, source of water, direct sun light, indoor/outdoor, screened/unscreened, filtration system, cold or hot weather, swimmer load, rain, organic debris, algae, etc., are all factors which contribute to either more or less pool pump and filter system run times. Because of these differences, it is extremely difficult to set a standard initial run time (starting point) for the pool pump and chlorinating system.

Try initially setting the pool pump timer to twelve (12) hours. It will take a few days to achieve the correct amount of pool pump operating time. When SC-75 is wired with a pool pump timer, results will vary greatly from one pool installation to the next, so this should be discussed with your pool professional. The key points are:

- Operate the pool pump at least the minimum time needed for good filtration and adequate chlorine production by the SC-75, according to your pool professional's recommendations.
- While pool pump timers can reduce energy consumption, the pool pump must be running for the SC-75 Salt Chlorinator to provide chlorine and must remain running long enough to maintain proper chlorine levels (i.e., 2.0 - 4.0 ppm of free available chlorine).

Note: Exception - For Cold Weather Operation: The unit turns off in water temperatures below 12° C, and will not produce chlorine. This feature extends the life of the cell.

Start-up Procedure (Super Chlorination)

Super Chlorination is recommended before pool start-up. Start out with clean, properly chlorinated, pool water from the beginning. The SC-75 will build up a sufficient level of chlorine for sanitation in several hours. However, if the pool water has a high demand from the start-up the SC-75 will not be able to produce enough chlorine to reach break-point chlorination. So, it is best to super chlorinate using an outside source at the time of pool start-up. Then, wait until the chlorine level has returned to 2.0 to 4.0 ppm before switching on the SC-75.

Sanitizer Output Settings and Adjustments

- Switch on the pool pump switch or pool pump timer. The salt display will blink both LEDs (bottom to top) for two (2) minutes, indicating that it has not checked the salt level yet. After two (2) minutes, the salt will be checked and one (1) of the salt level LEDs will be displayed. If the salinity is below 2600 ppm, the salt display will light the red LOW SALT indicator, and the CELL light will go blank, indicating there is not enough salt in the pool for chlorine to be produced.
- Set the Sanitizer Output to “MED” by pressing the MORE or LESS button.
- After 24 hours, use a reliable test method to test the pool water for free available chlorine. The ideal range to maintain is 2.0-4.0 ppm. If the free chlorine level of the pool water is too low, increase chlorine production by pressing the MORE button. If the free chlorine level of the pool water is too high, decrease chlorine production by pressing the LESS button.
- Due to a varying free chlorine demand of pool water, it may take a few days to determine the number of daily pool operating hours and “Sanitizer Output” percentage setting for your pool. Continue adjusting as necessary, allowing 24 hours between adjustments until the free chlorine level of the pool water is stabilized at 2.0 - 4.0 ppm, per APSP recommendations.

Operating in Winter

The SC-75 Salt Chlorinator switches off and will not produce chlorine in water temperatures below 12° C. This feature extends the life of the salt chlorinator. See “Winterizing”.

General Recommendations

- Read and keep this Installation and User’s Guide in a safe place.
- Increase Sanitizer Output level as necessary after heavy rain (outdoor pools) and return to normal afterwards.
- Increase Sanitizer Output level when air and water temperature rise.
- Increase Sanitizer Output level when number of pool users increase.
- Use Cyanuric Acid ONLY as necessary to stabilize chlorine in the pool water in outdoor pools.

NOTE: DO NOT USE CYANURIC ACID IN INDOOR POOLS.

- Once a month take a pool water sample to a pool professional for a complete analysis.

General Cautions

- Do not get fertilizer in your pool. Fertilizers contain nitrates, which cause a high chlorine demand.
- Never use dry acid to adjust pH in arid geographic areas with excessive evaporation and minimal dilution of pool water with fresh water. A buildup of byproducts can damage the SC-75.
- Do not add any pool water balancing chemicals (including salt) unless the SC-75 is switched off.
- Do not let the Cyanuric Acid level drop below 30 ppm in outdoor pools.

NOTE: DO NOT USE CYANURIC ACID IN INDOOR POOLS.

Section 4

User Maintenance

This section describes how to maintain the SC-75 Salt Chlorinator.

Daily service

None is needed.

Weekly service

1. pH Level Test: Test the pH level of your pool water with a reliable test method. If necessary, adjust according to your pool professional's recommendations. APSP's recommended ideal range for pH is 7.4 to 7.6, although 7.2 to 7.8 is an acceptable range under APSP's guidelines.

Note: Never use dry acid (sodium bisulfate) to adjust pH in arid geographic areas with excessive evaporation and minimal dilution of pool water with fresh water. A buildup of byproducts can damage the SC-75.

2. Total Alkalinity Test: Test the pool water for total alkalinity with a reliable test method. Adjust according to your pool professional's recommendations. APSP's recommended ideal range for total alkalinity is 80 to 120 ppm.

3. Chlorine Test: Test the pool water for free chlorine level with a reliable test method. Maintain ideal range by adjusting the SC-75 Salt Chlorinator Sanitize Output settings. See "More and Less Output Buttons".

- a. Desired Free Chlorine is 2.0-4.0 ppm, per APSP recommendations.
- b. Above 4.0 ppm of chlorine may cause excessive corrosion of metal components and possibly cause damage to associated pool equipment.
- c. It is recommended that free chlorine readings be taken from samples of pool water taken from two (2) places, one at the pool return line, the other well away from the pool return line. Compare the test results. A higher free chlorine level should be found at the pool return line. The higher free chlorine level at the pool return line indicates SC-75 Salt Chlorinator is producing chlorine.

Monthly Service

To ensure that the correct chemical balance is maintained in your pool, it is important to perform the following recommended salt and pool water tests every month using a reliable test method.

- 1. Salt Level Test:** Check salt display lights on the unit and check that the green "GOOD" light is on and is not flashing.
 - a. If the red LOW LED salt light is on. Add salt to the pool water
 - b. If salt level does not rise after 24 hours, see "Troubleshooting"
- 2. Pool Water Sample:** Take a sample of the pool water to your local pool store for testing.
- 3. Cyanuric Acid:** Sample the pool water and test for cyanuric acid level using a reliable test method. When using the SC-75 Salt Chlorinator the recommended ideal cyanuric acid level is 30-50 ppm.
- 4. Calcium Hardness:** Test pool water for calcium hardness level using a reliable test method. If necessary, adjust according to your pool professional's recommendations. APSP's recommended ideal range for calcium is 200 to 400 ppm for pools.
- 5. Metals Test:** It is recommended that the pool water be sampled and tested periodically for the presence of metals such as copper, iron, and manganese. These metals can damage the SC-75 Salt Chlorinator and other related pool equipment and should not be present in the pool water. If those metals are present, contact your pool professional.
- 6. TDS (Total Dissolved Solids):** Test pool water for TDS level using test kit or by having a water sample tested by a pool professional. If necessary, adjust according to your pool professional's recommendations. APSP standard of 3000 minimum to 5700 - 6000 maximum ppm (which includes the salt) is recommended for salt pools.

SC-75™ Salt Chlorinator Usage Hours Meter

The SC-75 provides a built-in cell “usage hours” meter that reports how many hours SC-75 has been operating.

To access the system status mode:

1. Press and hold the MORE button for three (3) seconds until the lights scroll across the unit.
2. One (1) of the three (3) Sanitizer Output LED indicators (Low, Med, High) will be lit, indicating the hours of usage. The Output LEDs are as follows:
 - 2000 hours (Low LED on)
 - 4000 hours (Med LED on)
 - 6000 hours (High LED on)

Cleaning the SC-75 Cell Blades

Note: Before acid washing, remove the calcium buildup in cell: Use a garden hose on the jet setting and spray directly into both ends of the cell. Most of this calcium buildup has a slushy consistency and will be blown out of the cell. Once the majority of the calcium has been removed, continue with acid washing which will now be more effective since most of the calcium has been removed.

1. **Automatic Cleaning:** The SC-75 has an automatic cell blade cleaning feature (cell reversing) that helps remove scale deposits from the SC-75 blades. **Note:** Automatic cleaning does not interrupt chlorine production. “Scale” is a white crusty deposit that forms in excessively hard water or from pool water that is out of balance and in a scaling condition. If the SC-75 blades show excessive scaling, you need to perform an acid wash cleaning. Proceed to “Acid Wash Cleaning” Step 2.
2. **Acid Wash Cleaning:** If the SC-75 blades show a tendency to scale, it is recommended that every two (2) months the SC-75 be removed and inspected for scale formation and/or debris on the SC-75 blades. High hardness areas may require more frequent cleaning. Some filters allow debris to pass through to the SC-75, possibly lodging between the blades in the SC-75. A small amount of scale formation is normal. If by looking through the SC-75, it is observed that there is excessive scale formation between the blades, or debris is present, the SC-75 must be cleaned as follows:

Use a high-pressure jet of water from a garden hose. If the blades cannot be reasonably cleaned in this manner, acid cleaning is necessary.

TO ACID CLEAN THE SC-75™ BLADES:

1. Disconnect the AC power from the Power Center. Disconnect the SC-75 Salt Chlorinator cell communication cable from the Power Center.
2. Mix one (1) part acid with one (1) part tap water in a plastic bucket.
3. Submerge the blades in this solution without allowing the control panel or cables to be exposed to the solution
4. Allow the acid solution to bubble, and to clean the blades.

The acid should only be contained inside the SC-75 covering the blades. Try not to spill the acid on the outside of the SC-75. If acid does spill on the outside of the SC-75, wash it off with water. A foaming action will begin, which is caused by scale (calcium carbonate) being dissolved from the blades. If rigorous foaming action does not begin, the blades do not need to be cleaned (STOP THE CLEANING PROCESS - go on to the next step). Otherwise, allow the blades to remain immersed in the solution until the foaming has stopped. However, do not leave acid in the SC-75 for more than thirty (30) minutes. Excessive acid washing will damage the blades.

5. Remove the SC-75 from the bucket and place in an empty 20 liter bucket. Rinse the inside and outside of the SC-75 thoroughly with clean tap water and inspect. If deposits are still visible, repeat the acid cleaning process.
6. Rinse the SC-75 again with clean tap water and inspect. Once clean, replace the SC-75 and resume normal operation.
7. If the acid wash procedure is necessary, it is recommended that a sample of pool water be analyzed by a pool professional for excessive calcium hardness (i.e. ideal range is 200 to 400 ppm) and/or improper water balance.
8. Inspect the inside of the SC-75 every two (2) months (or more frequent in hard water areas). If no scale or debris deposits are observed inside the SC-75 after four (4) months, it is not necessary to continue inspections every two (2) months. However, due to possible changes in pool water chemistry and filtering effectiveness, it is recommended that the cell be removed for inspection at least twice a year.
9. Reconnect the SC-75 communication cable plug in the Power Center, then reconnect AC power to the Power Center.

Winterizing

Very little chlorine production is needed in cold water so long as free chlorine levels are maintained at 2.0 - 4.0 ppm. The SC-75 Salt Chlorinator will not produce chlorine below 12° C. This low-temperature cutoff extends the life of the cell. If preventative measures are not taken, freezing water may cause severe damage to the cell. Prevent freeze damage to the cell by running the pool pump continuously or winterize the pool by draining water from pump, filter and all intake and return lines. Remove the cell, clean and store it.

Section 5

Installation

This section describes how to install the SC-75 Salt Chlorinator into the pool plumbing system. Before installing, review the SC-75 kit contents and required tools.

Note: For Power Center installation instructions, see the “SC-75 Power Center Installation Guide”

Note: Salt is not provided. For details about the type of salt to use, see “What Type of Salt to Use”.

Required Tools

- Tape measure
- Phillips and flathead screwdriver
- Pliers and Hacksaw
- An NSF® approved all-purpose PVC/CPVC/ABS cleaner primer
- An NSF® approved all-purpose PVC/CPVC/ABS cement

⚠ WARNING When using electrical products, basic precautions should always be followed, including the following:



DANGER: RISK OF ELECTRIC SHOCK, WHICH CAN RESULT IN SERIOUS INJURY OR DEATH.

Before attempting installation of service, ensure that all power to the circuit supplying power to the system is disconnected/turned off at the circuit breaker. It is recommended that the SC-75 Power Center be connected to a circuit protected by a ground fault circuit-interrupter (GFCI).

- Grounding (earth bonding) is required. The unit should be installed by a qualified service person and grounded.
- Install to allow access to cell buttons and power center.
- Read Safety Precautions and Important Instructions. Before attempting any electrical wiring, be sure to read and follow Safety Instructions. Wiring should only be performed by a qualified professional.
- Install the SC-75 unit a minimum 1 meter away from the heater outlet.
- Pipe couplings: Schedule 80, maximum pressure 5 Bar (75 psi) at 21° C - PVC pipe 50mm
- Operate unit with minimum flow of 6m³/h. For high flow applications, use a bypass loop for best flow sensing.
- Provide at least 300mm-450mm of straight pipe in front of the cell inlet.

Installing the SC-75 Cell Assembly

Install the SC-75 cell assembly no closer than 900mm away from the heater outlet, if used.

Note: For best flow sensing, provide at least 300mm – 450mm of straight pipe in front of the cell inlet.

Note: Pipe couplings: Schedule 80, maximum pressure 5 Bar (75 psi) at 21° C

To install the SC-75 cell:

1. Using PVC glue, mount the PVC couplings to the plumbing pipe. Allow the glue to dry.
2. Mount the cell to allow access to the control panel. Install the cell onto the couplings.
3. Ensure the O-rings are seated properly.
4. Switch on the pump and visually inspect for leaks around the couplings.

Connecting the Cell Power Cable to the Power Center

After the cell installation is completed, connect the power cable to the Power Center:

⚠ WARNING Switch OFF main system power to the Power Center before making any connections

1. Be sure that AC power is switched OFF before connecting the power cord to the Power Center.
2. Align the four (2) pins of the cell power cord connector with the socket on the bottom of the Power Center and insert the connector. Turn the round socket nut until it locks the connector in place.



Connector Socket Nut

To cell assembly

Use the following troubleshooting information to resolve possible problems with the SC-75 Salt Chlorinator.

Note: Switch power off to unit before attempting service or repair. Always remove AC power to Power Center when plugging or unplugging the SC-75 cell into the Power Center.

Problem	Possible Cause	Corrective Action
Low or no chlorine	Low Stabilizer (cyanuric acid) level in pool water (outdoor pools only).	Add cyanuric acid in outdoor pools only to maintain 30 - 50 PPM per pool professional's recommendations. See Stabilizer Chart.
	Insufficient operating hours of the SC-75.	Increase the SC-75 operating time per day.
	Sanitizer output percentage too low or at 0%.	Increase sanitizer output by pressing the MORE button.
	Recent increases in weather temperature without increasing the SC-75 sanitizer Output.	Increase sanitizer output by pressing the MORE button.
	Temporary loss of chlorine due to heavy organic load, rain, leaves, fertilizer or heavy bather load, recent party, or pets using pool.	Set "Boost" mode and allow to run for 24 hours. Re-check, If still too low, super-chlorinate by using an outside source. (Take pool water sample to pool professional).
	Low (less than 2600 ppm) salt level in pool water, shuts off chlorine production.	Observe Salt Display lights. See "Salt Level Status LEDs"
	High nitrate and phosphate level.	Contact Pool Professional.
	Metals present in pool water.	Contact Pool Professional.
	New pool water, or not shocked properly upon startup.	Super Chlorinate Pool. See "Start-up Procedure (Super Chlorination)"
	Clogged or dirty cell.	Remove cell for inspection. Clean if necessary.
Red SALT LED is on.	Pool water needs salt. No chlorine is being produced.	Add salt to achieve 3400ppm.
Yellow SALT LED on and green CELL LED flashing	Salt level in pool water is low and may need inspecting.	Check salt level, add if necessary to GOOD level. Allow 24 hours for salt to mix in water. If CELL light is still flashing after 24 hours, remove and inspect cell and clean if necessary.
Green SALT LED is flashing	Too much salt in pool. May cause damage to pool equipment and surrounding surfaces.	Dilute pool water by draining some water, then filling with fresh water
CELL LED is red.	Water is below 12°C.	The water temperature must be above 12°C to produce chlorine.
CELL LED does not come on.	Chlorine Production set to 00%.	Adjust CHLORINE PRODUCTION to desired percentage.
	Insufficient water flow. Cell is plugged with debris, pump has lost prime.	Remove obstruction and/or clean cell.. Prime pump if necessary.
	Salt level below 2600 ppm.	Add salt.
CELL LED is flashing green.	Check salt level.	Add salt if necessary to maintain 3400 ppm minimum.
	Cell has calcium build-up and requires cleaning.	Refer to Maintenance Procedure for acid wash/cleaning. See "User Maintenance"
	Check water chemistry and balance. NOTE metal content should be 0 ppm.	Remove metals from water using chemical solution.

Limited Warranty : 2 years

More info : www.pentairpooleurope.com

Troubleshooting (Continued)

Problem	Possible Cause	Corrective Action
FLOW LED is red.	Pump fails to provide sufficient water flow.	Check for correct operation of the pump, i.e., loss of pump prime or clogged strainer baskets.
	Closed valves.	Check and correct all valve alignments.
	Dirty filter.	Follow filter cleaning procedures.
	Obstruction in the Chlorinator cell.	Remove cell for inspection. Follow cleaning procedures. See "Electrolytic Cell Cleaning"
SC-75 unit does not have power.	Fuse in Power Center is open.	Replace AC fuse, located at bottom of Power Center.
	No A/C power to Power Center.	Verify time clock is providing 220VAC to Power Center when active.
	Transformer leads not wired correctly in Power Center.	Verify transformer leads wired to AC source by referring to wiring diagram decal on inside of Power Center cover.

System Specifications - 230 VAC

Circuit Protection: Two pole 20AMP device at the electrical panel.

Model SC-75P (Power Centre)

Input: 50Hz, 220-240 VAC, 220W, 1 Amp.

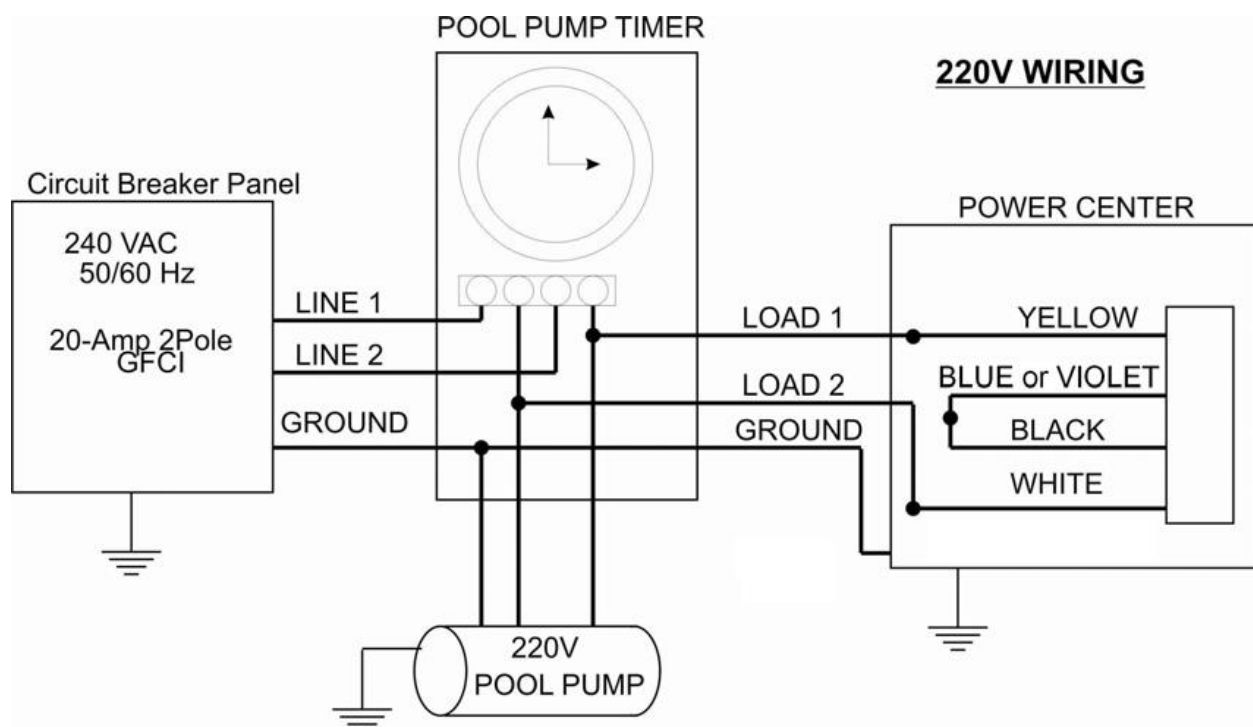
Output: 28 VAC @ 5.2 Amp Max.

Water flow: 6m³/h (25GPM) - **Max flow:** 24m³/h (105GPM) - **Max Pressure:** 5Bar (75PSI)

SC-75 AC Wiring Instructions :

- When using the SC-75 Salt Chlorinator and an IntelliFlo pump (or variable speed pump) with a Pentair IntelliPool Automation System, please read the IntelliPool installation manual - Section 'Desinfectant Connection - Alternative Salt Chlorinator.

- When using the SC-75 Salt Chlorinator with the 'Pentair ControlPro Filtration Manager' and a Variable Speed pump, please read the 'Pentair ControlPro Filtration Manager' installation manual.





Kundendienst

HERENTALS, BELGIEN (08:30 Uhr bis 16:30 Uhr) MEZ

Website: www.pentairpooleurope.com

E-Mail: poolemea@pentair.com

Konformitätserklärung

Wir erklären unter unserer alleinigen Verantwortung, dass das Produkt, das in dieser Erklärung bezeichnet ist und auf das sich diese Erklärung bezieht, den Schutzanforderungen der Richtlinie 2006/42/EG des Rates entspricht.



Der Hersteller Pentair behält sich das Recht vor, Produkte ohne vorherige Ankündigung soweit zu ändern, als deren Merkmale dadurch nicht maßgeblich verändert werden.

© 2015 Pentair, Inc. Alle Rechte vorbehalten. Änderungen an diesem Dokument sind vorbehalten.

Handelsmarken und Haftungsausschluss: Pentair, Inc. ist Inhaberin aller Pentair-Handelsmarken und Logos. Sta-Rite™, SC-75™, IntelliPool®, ControlPro™, Rainbow®, Eco Select® und Pentair Aquatic Systems™ sind Handelsmarken von Pentair Inc. und/oder den verbundenen Unternehmen in den USA und/oder in anderen Ländern. Soweit nicht anders angegeben, dienen eventuell in diesem Dokument benutzte Namen und Marken anderer Unternehmen nicht zur Angabe einer Zugehörigkeit oder sonstigen Verbindung zwischen den Eigentümern dieser Namen und Marken und Pentair Inc. Bei diesen Namen und Marken kann es sich um Warenzeichen oder eingetragene Warenzeichen dieser anderen Unternehmen handeln.

⚠ DANGER Die Nichtbeachtung der Sicherheitsanweisungen kann zu ernststen Gesundheitsschäden oder sogar zu schweren oder tödlichen Verletzungen führen. Die Nichtbeachtung der Anweisungen in diesem Handbuch führt in jedem Fall zum Erlöschen aller Garantien und jeglicher Haftung seitens des Herstellers. MONTEURE, SCHWIMMBADBETREIBER UND -BESITZER MÜSSEN DIESE WARNHINWEISE UND ALLE ANWEISUNGEN IM HANDBUCH LESEN, BEVOR Sie DIESEN REINIGER BENUTZEN. DIESE WARNHINWEISE UND DAS HANDBUCH MÜSSEN BEIM HAUSBESITZER VERBLEIBEN.

WICHTIGE WARNHINWEISE UND SICHERHEITSAUWEISUNGEN



Wichtiger Hinweis:

⚠ WARNING Achtung Installateur: Diese Anleitung enthält wichtige Informationen zur Montage, zum Betrieb und zur sicheren Benutzung dieses Produkts. Diese Unterlagen müssen nach der Installation des Salzelektrolysezelle an den Besitzer und/oder den Betreiber dieser Salzelektrolysezelle weitergegeben werden.

Achtung Benutzer: Dieses Handbuch enthält wichtige Informationen für den Betrieb und die Wartung dieser Salzelektrolysezelle. Bitte bewahren Sie es für zukünftige Einsichtnahme auf. Wenden Sie sich an Pentair, wenn Sie Fragen zu diesem Gerät haben.

Lesen und befolgen Sie alle in diesem Handbuch enthaltenen Warnhinweise und Anweisungen, bevor Sie das Produkt installieren. Bei Nichtbefolgung der Sicherheitswarnhinweise und -anweisungen kann es zu schweren Verletzungen, zum Tod oder zu Sachschäden kommen. Zusätzliche kostenlose Versionen dieser Anweisungen erhalten Sie unter www.pentairpooleurope.com.

Konsumenteninformation und Sicherheit

Diese Salzelektrolysezelle wurde so entworfen und hergestellt, dass sie viele Jahre sicher und zuverlässig in Betrieb ist, wenn sie gemäß den Anweisungen in diesem Handbuch installiert, betrieben und gewartet wird. Im gesamten Handbuch sind Sicherheitswarnungen und -hinweise durch das Symbol "⚠" gekennzeichnet. Alle diese Warnungen und Hinweise müssen beachtet und eingehalten werden.

⚠ WARNING Um die Verletzungsgefahr zu verringern, dürfen Kinder dieses Produkt nicht benutzen. Wartungsarbeiten sind einem qualifizierten Wartungstechniker vorbehalten.

⚠ WARNING **BEI FEHLERHAFTER VERKABELUNG KANN SICH CHLORGAS ENTWICKELN:** Um das Risiko von Personenschäden zu verringern, muss das SC-75-Salzelektrolysezelle-Power Center lastseitig an die Zeitsteuerung, den elektronisch gesteuerten Schalter oder relaisseitig so angeschlossen und verkabelt werden, dass es nur mit Netzstrom versorgt wird, wenn die Poolpumpe eingeschaltet ist. Sonst kann sich gefährliches Chlorgas entwickeln. Das Gerät darf niemals erregt werden, wenn die Poolpumpe AUSGESCHALTET ist oder kein Wasser durch das Gerät strömt.

Den SC-75 niemals mit unzureichendem Durchfluss oder Wasserzirkulation betreiben. Die Entwicklung entzündlicher Gase birgt hohes Gefahrenpotenzial.

⚠ CAUTION Diese Pumpe ist für den Einsatz von ganzjährigen Pools vorgesehen und kann auch bei Warmwannen und Schwimmbädern verwendet werden, insofern dies angegeben ist. Benutzen Sie ihn nicht für lagerbare oder Stahl-Pools. Ein fest installierter Pool wird in den Boden eingelassen, auf den Boden aufgestellt oder in ein Gebäude eingebaut, so dass er nicht ohne Weiteres zerlegt werden kann, um gelagert zu werden. Ein lagerbarer Pool ist so konstruiert, dass er zur Lagerung zerlegt und wieder vollständig zusammengebaut werden kann.

WICHTIGE WARNHINWEISE UND SICHERHEITSAUWEISUNGEN - FORTSETZUNG

⚠ WARNING Wenn Säure mit Wasser gemischt wird, **IMMER DIE SÄURE ZUM WASSER GEBEN. NIEMALS WASSER ZU EINER SÄURE ZUGEBEN**

⚠ CAUTION Die Verwendung anderer, als der empfohlenen, Chemikalien birgt Gefahren. Selbst die Verwendung der empfohlenen Chemikalien kann Gefahren bergen. Beachten Sie die Anweisungen des Chemikalienherstellers.

⚠ CAUTION Um die Gefahr von elektrischen Schlägen zu verringern, muss die SC-75-Salzelektrolysezelle mindestens 1,5 m von der Innenwand des Pools installiert werden. Das Gerät mindestens 1 m entfernt von der Heizungssteckdose installieren.

⚠ WARNING Salz erzeugt grundsätzlich Korrosion. Weil der Salzgehalt für den fehlerfreien Betrieb der SC-75™ -Salzelektrolysezelle im Vergleich zu Meerwasser oder anderen Salzlösungen relativ gering ist, erhöht jede Salzzugabe zum Wasser Ihres Pools die Wahrscheinlichkeit für Korrosion oder andere Schäden an der Poolausrüstung und an allen Oberflächen in und um Ihren Pool. Metallteile und bestimmte natürliche sowie künstlich hergestellte Oberflächen sind besonders korrosions- und schadensanfällig, wenn Sie in und um einen Salzwasserpool verwendet werden. Die Pentair Aquatic Systems ("Pentair") übernimmt keine Gewährleistung oder anderweitige Garantie, dass der ordnungsgemäße Betrieb einer SC-75-Salzelektrolysezelle Korrosion oder andere Beschädigungen an der Poolausrüstung und allen Oberflächen in und um Ihren Pool verhindert. Konsultieren Sie Ihren erfahrenen Poolfachmann, der Ihnen bei der richtigen Auswahl von Materialien und Montageverfahren für diese Materialien sowie dem richtigen Betrieb, der Pflege und Wartung dieser Materialien für Ihren speziellen Pooltyp und -standort helfen kann, um Korrosion und Schäden zu minimieren, die grundsätzlich in und um einem Salzwasserpool auftreten.

Allgemeine Geschäftsbedingungen der beschränkten Garantie

Bevor Sie Ihren SC-75 installieren, lesen Sie bitte alle Warnhinweise, Sicherheitsanweisungen und Garantieinformationen in diesem Handbuch aufmerksam durch. Wenn diese Anweisungen nicht befolgt werden oder der Poolsauger nicht ordnungsgemäß installiert wird, kann das zu einer Beschädigung der Pool-Oberfläche oder der Vinylverkleidung führen. Pentair Aquatic Systems lehnt jede Haftung für Reparaturen oder Ersatz solcher Strukturen oder Bauteile im Pool des Kunden ab.

Beschränkte Garantie: 2 Jahre

Weiterführende Informationen: www.pentairpooleurope.com

Haftungsausschluss - Informationen zu Ihrem Pool und Ihrem Zubehör

Es gibt viele Faktoren, die einen Einfluss auf die Nutzungsdauer Ihres Pools haben.

Bitte beachten Sie, dass im Laufe der Zeit bei jeder Pool-Oberfläche Verschleißerscheinungen, Verfärbungen und Sprödigkeiten auftreten können, die durch Alter, unausgeglichene Pool-Chemikalien falsche Installation und andere Faktoren bzw. eine Kombination davon bedingt sind.

Dasselbe gilt auch für in den Boden eingelassene Swimming-Pools mit Vinylverkleidung, da die Vinylverkleidungen auch der Umwelt und Faktoren wie Poolwasserchemie, Sonnenlicht und Pool-Umgebung ausgesetzt sind. Daher kann es vorkommen, dass das Vinyl mit der Zeit ein wenig spröde und schwach wird. Darüber hinaus sind Pools mit Vinylverkleidung von der Verarbeitungsgüte, Zusammensetzung und Installation der Verkleidung sowie der Ausführung und Bauqualität der Stützwände und des Poolbodens betroffen. Diese Faktoren können alle zu Fehlern bei der Verkleidung führen. Der Hersteller lehnt jede Haftung für Reparaturen oder Ersatz solcher Strukturen oder Bauteile im Pool des Kunden ab.

Der Schwimmbadeigentümer muss sämtliche Verantwortung für den Zustand und die Wartung der Oberfläche, des Wassers und des Decks des Pools übernehmen.

Notieren Sie sich bitte vor der Installation der SC-75-Salzelektrolysezelle die Seriennummer. Wenn Sie Kontakt mit dem Technischen Support aufnehmen, müssen Sie diese Nummer angeben.

SERIENNUMMER _____

SC-75™ Salzelektrolysezelle ÜBERBLICK

Die SC-75-Salzelektrolysezelle nutzt Elektrolyse zur Herstellung von Chlorgas, das sich sofort in der Lösung auflöst, um aus einer geringen Salzkonzentration, die dem Poolwasser zugegeben wird, ein Desinfektionsmittel für Pool- und Whirlpool-Wasser mit Hypochlorit- und unterchloriger Säure zu erzeugen. Hypochlorit und unterchlorige Säuren töten Bakterien ab, oxidieren organisches Material, töten Algen ab und wandeln sich wieder in Salze um. Der SC-75 nutzt dieses Salz und der Prozess beginnt erneut. Das SC-75-System setzt sich aus Zelle und Power Center zusammen.

CAUTION Die SC-75-Salzelektrolysezelle erzeugt ausschließlich Chlor. Das Gerät steuert oder kontrolliert den Chlorgehalt im Pool- oder Whirlpool-Wasser nicht. Die Überwachung und die Beibehaltung des freien Chlorgehalts im Wasser gemäß Empfehlungen von APSP im Bereich von 2,0 bis 4,0 ppm (Teile/Million) obliegt dem Pooleigentümer. Die Überwachung des Gehalts an freiem Chlor in der laufenden Poolpumpe und die entsprechende SC-75-Anpassung obliegt dem Pooleigentümer.

WARNING Salz erzeugt grundsätzlich Korrosion. Weil der Salzgehalt für den fehlerfreien Betrieb der SC-75™ -Salzelektrolysezelle im Vergleich zu Meerwasser und anderen Salzlösungen relativ gering ist, erhöht jede Salzzugabe zum Wasser Ihres Pools die Wahrscheinlichkeit für Korrosion oder andere Schäden an der Poolausrüstung und an allen Oberflächen in und um Ihren Pool. Metallteile (einschließlich Stahlpools) und bestimmte natürliche sowie künstlich hergestellte Oberflächen sind besonders korrosions- und schadensanfällig, wenn sie in und um einen Salzwasserpool verwendet werden. Die Pentair Aquatic Systems ("Pentair") übernimmt keine Gewährleistung oder anderweitige Garantie, dass der ordnungsgemäße Betrieb einer SC-75-Salzelektrolysezelle Korrosion oder andere Beschädigungen an der Poolausrüstung und allen Oberflächen in und um Ihren Pool verhindert. Konsultieren Sie Ihren erfahrenen Poolfachmann, der Ihnen bei der richtigen Auswahl von Materialien und Montageverfahren für diese Materialien sowie dem richtigen Betrieb, der Pflege und Wartung dieser Materialien für Ihren speziellen Pooltyp und -standort helfen kann, um Korrosion und Schäden zu minimieren, die grundsätzlich in und um einem Salzwasserpool auftreten.

CAUTION NEU GEBAUTE POOLS ODER POOLS MIT NEUEM KUNSTSTOFF: Den SC-75 nicht bedienen, wenn der Pool neu mit Kunststoff vergossen oder aufgebaut wurde. Salz ist ein korrodierendes Element und kann Ihren Pool stark beschädigen. Vor der Zugabe von Salz und dem Betrieb des SC-75 muss der Kunststoff mindestens EINEN (1) MONAT aushärten. Beachten Sie die Anweisungen des Oberflächenherstellers für Ihren Pool. POOLS MIT NEUER VINYL-AUSKLEIDUNG: Vor der Zugabe von Salz und Inbetriebnahme des SC-75 die Herstellervorschriften heranziehen.

SC-75-Systemkomponenten

Ein SC-75-Salzelektrolyzellensystem setzt sich aus einem oder mehreren der folgenden Teile zusammen.

- **Y1146** : Für Pools bis 90m³ Die Zelle erzeugt das Äquivalent von 0,45 kg reinem Chlor pro 24 Stunden Dauerbetrieb der Pumpe.
- **SC-75P** : Power Center. Stromversorgung der SC-75-Zelle.

Beschreibung SC-75-Salzelektrolysezelle Bedienfeld und Zelle

Der SC-75 ist mit einem Bedienfeld mit Tasten und LED-Meldeleuchten für die Gerätesteuerung und Chlorproduktion ausgestattet. Der SC-75 misst die Wassertemperatur und den Salzgehalt, um Chlor in der festgelegten Menge zu produzieren. Wenn der Salzgehalt im Poolwasser zu niedrig ist (rot an der Salzanzeige), schaltet die Zelle ab, bis dem Pool Salz hinzugefügt wird. Der Selbstreinigungszyklus der Steuerung kehrt die Polarität der Zelle um und reduziert den Aufbau von Kalzium. Die Funktion schaltet die Zelle in regelmäßigen Intervallen aus und ein, um die Entwicklung von Kalzium und Kalk zu verringern, wodurch sich die Nutzungsdauer der Zelle verlängert.

Der SC-75 enthält die Steuerelektronik und bipolaren Elektroden, die das Chlor elektrisch erzeugen, sobald Gleichstrom (DC) anliegt. Das Chlor wird erzeugt, während das salzhaltige Poolwasser durch die Zelle strömt. Die Chlorproduktion lässt sich durch Anpassung des Desinfektionsausstoßes am Bedienfeld und/oder durch Veränderung der täglichen Betriebsstunden verändern. Der SC-75 kehrt die Zellenelektroden nach einigen Stunden um, damit die Zelle gereinigt wird. Die Chlorproduktion wird dadurch nicht unterbrochen. Der SC-75 ist mit einem mechanischen Durchflusssensor ausgestattet, der gewährleistet, dass die richtige Menge an Wasser durch die Zelle fließt, wodurch das Chlor produziert wird. Der SC-75 misst automatisch den Salzgehalt und die Temperatur des Wassers und zeigt mithilfe der LED-Meldeleuchten drei (3) verschiedene Salzgehaltbereiche am Bedienfeld an. Der KECG ist für die Verbindung mit dem Power Center mit einem 3-m-Kabel ausgestattet.

- **Durchflusssensor:** Ein Durchflusssensor gewährleistet die richtige Wasserdurchflussmenge durch den SC-75. Wenn der SC-75 nicht richtig angeschlossen und/oder der Wasserdurchfluss nicht ausreichend ist, wird kein Chlor erzeugt.
- **Temperatursensor:** Für die Deaktivierung des SC-75 und zum Schutz vor möglichen Schäden bei Poolwassertemperaturen unter 11°C, ± 1,67° C, schaltet der Temperaturwächter die Zelle aus. Die Lampe COLD WATER (Kaltwasser) leuchtet und es wird kein Chlor erzeugt.
- **Salzsensoren:** Zwei (2) Salzsensorensonden im SC-75 werden bei jeder Einschaltung des SC-75 aktiviert und danach im 12-Stunden-Intervall bei Dauerbetrieb. Währenddessen blinkt die Salzgehalt-LED-Leuchte automatisch im (zwei) 2-Minuten-Intervall. Dies ist ein Hinweis darauf, dass der SC-75 im Analysemodus arbeitet. Nach zwei (2) Minuten zeigen die LED-Leuchten einen (1) von drei (3) Salzgehaltbereichen an. Weiterführende Informationen Siehe "Salzgehalt Status-LEDs"

Hinweis: Messgenauigkeit des Salzsensors: +/- 500 ppm.

SC-75 Power Center

Das Netzteil ist mit der elektrischen Quelle der Pool-Umwälzpumpe verbunden. Somit ist gewährleistet, dass der SC-75 nur bei eingeschalteter Pumpe arbeitet. Das Power Center sollte in vertikaler Position drei (3) Meter von der Zelle entfernt montiert werden. Das Power Center ist mit Transformator, Sicherung und Stecker für die Zelle ausgestattet. Als zusätzliche Schutzvorrichtung ist an der Unterseite des Power Center ein Sicherungshalter angebracht. Das Power Center ist nicht mit anderen Steuerungen oder Lampen ausgestattet. Hinweise zur Installation und der Bedienung des Power Center Siehe "SC-75 Power Center Installationsleitfaden"

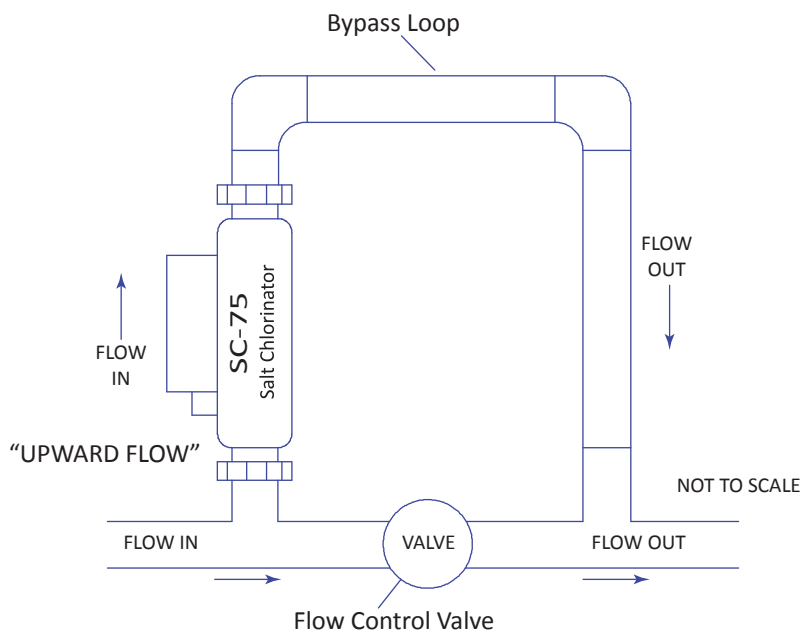
CAUTION Das SC-75 Power Center steuert die Pumpe nicht. Die SC-75-Salzelektrolysezelle erzeugt nur dann Chlor, wenn die Pumpe eingeschaltet ist.



CAUTION Bevor Sie die SC-75-Salzelektrolysezelle mit dem Power Center verbinden oder von diesem trennen muss die Wechselstromversorgung des Power Center abgeschaltet werden.

Leitungsanschlussdiagramm

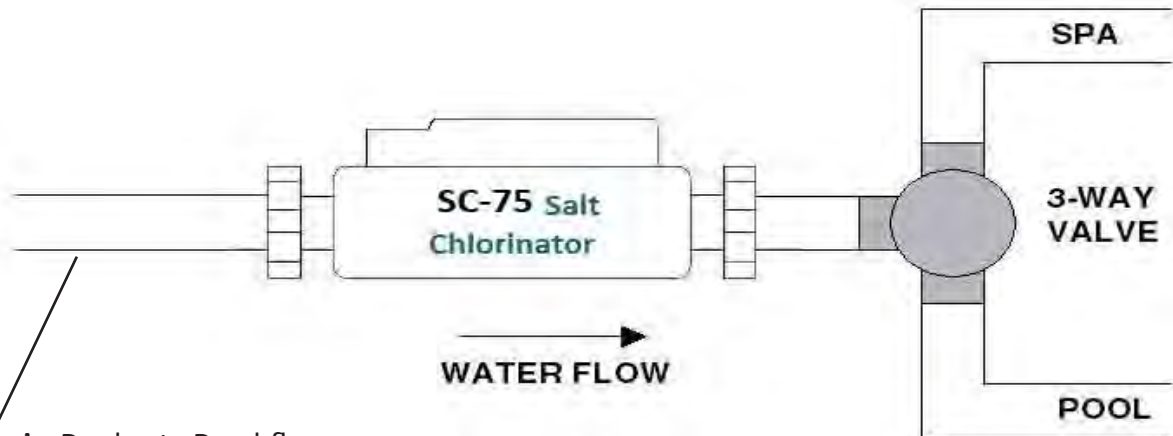
Die SC-75-Salzelektrolysezelle arbeitet mit Wasserdurchflussraten von 5,7 m³/Std. bis maximal 234 m³/Std. Bei Durchflussmengen über 18 m³/Minute muss eine Bypass-Schleife (siehe unten) für die beste Chlorproduktion vorgesehen werden. In Installationen mit Durchflussraten über 18 m³/Std. sind auch jene mit Bodenreinigungssystem oder Verstärkerpumpen einzubeziehen. Für diese Systeme MUSS eine Bypass-Schleife für den SC-75 mit Durchflussregelventil verlegt werden, damit die Planungswasserdurchflussmengen durch den SC-75 beibehalten werden.



SC-75-Leitungsinstallation-Diagramm

Leitungsinstallation SC-75-Salzelektrolysezelle:

- Die SC-75-Salzelektrolysezelle muss immer HINTER Filter und Heizung montiert werden. Der SC-75 muss mindestens in einem (1) Meter entfernen vom Heizungsanschluss montiert werden.
- Wenn der SC-75 in einem Pool-/Whirlpool-Kombinationssystem installiert ist, muss der SC-75 VOR dem Rückschlagventil von Pool/Whirlpool montiert werden (siehe nachstehendes Diagramm), damit Pool und Whirlpool ausreichend gechlort werden und sich keine Gasfallen in den Leitungen bilden.



Hinweis: Der beste Durchfluss wird erzielt, wenn vor dem Zelleneingang ein gerades Rohr, mindestens 30 bis 45 cm, vorgesehen wird.

NICHT
MASSTABGERECHT

SALZSTATUS LED-MELDELEUCHTEN

Der SC-75-Salzgehalt kontrolliert das Poolwasser täglich und zeigt die drei Stufen wie folgt an:

GRÜNE LED: Gutes Salz. Der Salzgehalt im Poolwasser beträgt zwischen 2800 ppm und 4500 ppm und der SC-75 erzeugt Chlor. Für optimale Ergebnisse sollte die SC-75-Salz-LED immer GRÜN sein. Der ideale Salzgehalt sind 3400 ppm.

GRÜNE LED (BLINKT): Salzgehalt über 4500 ppm. Chlor wird produziert, allerdings ist der Salzgehalt zu hoch, wodurch sich das Risiko von Korrosion und Beschädigung des Poolzubehörs sowie der Flächen in und um den Pool erhöht. Das Poolwasser muss abgelassen werden und nach und nach müssen stets 300 mm aufgefüllt werden, bis der Salzgehalt 4500 ppm unterschreitet.

ROTE LED: Niedriger Salzgehalt. Der Salzgehalt im Wasser ist unter 2800 ppm. Der SC-75 erzeugt Chlor mit geringerer Wirkung. Es wird empfohlen Salz hinzuzufügen (*)

BLINKENDE ROTE LED: Sehr geringer Salzgehalt. Der Salzgehalt im Wasser ist unter 2600 ppm gesunken. Der SC-75 erzeugt erst Chlor nachdem Salz zugegeben wurde. Der SC-75 ist ausgeschaltet. (*)

(*) Nach jeder Salzzugabe sollte die Pumpe mindestens 24 Stunden laufen, damit das Salz verdünnt werden kann. Nehmen Sie die Salzmessung erst nach der Auflösungsperiode von 24 Stunden vor.

LED-STATUSMELDELEUCHTEN

ZELLE: SC-75-STATUSANZEIGE

GRÜN BLINKEND : Der SC-75 muss inspiziert werden. Möglicherweise sind die Elektrodenklingen verkalkt. Der SC-75 erzeugt kein Chlor.

GRÜN: SC-75 arbeitet gut und erzeugt Chlor

KEIN LICHT: Der SC-75 ist ausgeschaltet und erzeugt kein Chlor Eventuell ist der Desinfektionszyklus abgeschaltet und der SC-75 wird bald wieder eingeschaltet.

ROT: Der SC-75 ist infolge kühler Witterungsbedingungen im "Standby"-Modus (System ausgeschaltet, keine Chlorproduktion). Der SC-75 nimmt die Chlorproduktion wieder auf, sobald die Wassertemperatur 11° C überschreitet.

FLOW: DIESE MELDELEUCHE ZEIGT AN, DASS WASSER DURCH DEN SC-75 FLIESST

ROT: Unzureichender Wasserdurchfluss durch den SC-75; es wird kein Chlor erzeugt.

GRÜN: Ausreichender Wasserdurchfluss durch den SC-75; es wird Chlor erzeugt.

AUSGABE LED-MELDELEUCHTEN

Die drei (3) LED-Meldeleuchten werden als Balkendiagramm angezeigt und zeigen den Prozentsatz der Zeit, in welcher Chlor pro Stunde Pumpenlaufzeit erzeugt wird, in Schritten an. Im VERSTÄRKER-Modus (BOOST) blinken diese LEDs von Oben nach Unten.

Hinweis: Wenn keine LEDs leuchten, wird der Ausstoß auf 0 % gesetzt und die SC-75-Salzelektrolysezelle erzeugt kein Chlor

- 0% 0 LED leuchtet - Keine Chlorproduktion - SC-75-Salzelektrolysezelle ist ausgeschaltet.
- 33.3% 1 LED leuchtet - Chlorproduktion 33 % pro Stunde der Pumpenlaufzeit.
- 66.6% 2 LED leuchtet - Chlorproduktion 66 % pro Stunde der Pumpenlaufzeit.
- 100% 3 LED leuchtet - Chlorproduktion 100 % pro Stunde der Pumpenlaufzeit.

Die Ausstoßtasten "More" (Mehr) und "Less" (Weniger)

Mit den Tasten "More" und "Less" wird der Prozentsatz der Zeit für jede Stunde geregelt, in welcher die SC-75-Salzelektrolysezelle Chlor produziert, während die Pumpe in Betrieb ist (siehe vorstehend Desinfektionsausstoß-LED-Meldeleuchten) Diese Lampen werden als Balkendiagramm angezeigt: umso mehr Lampen leuchten, umso mehr Chlor wird erzeugt. Klappen Sie die Feldabdeckung nach oben, um auf die Tasten "More", "Less" und "Boost On/Off" zuzugreifen. Um den Verstärkermodus zu verlassen, halten Sie die Tasten gedrückt.

More: Verlängerung der Chlorproduktionsdauer der Zelle.

Less: Verringern der Chlorproduktionsdauer der Zelle.

Boost On/Off: Halten Sie die Tasten "More" und "Less" gedrückt, um den Verstärkermodus ein- oder auszuschalten. Im Verstärkermodus wird der Desinfektionsausstoß für die nächsten 24 Stunden des Pumpenbetriebs mit 100 % festgelegt. Wenn der Timer den Pumpenzyklus abschaltet, wird der Strom am nächsten Tag wieder eingeschaltet. Der Verstärkermodus wird weitere 24 Stunden ausgeführt, wenn dieser aktiviert war, oder bis er vom Benutzer ausgeschaltet wird. An der Desinfektionsausstoßanzeige wird ein LED-Muster angezeigt, das auf den Verstärkermodus hinweist.

Selbstreinigung.

Die Selbstreinigungsfunktion reduziert Kalkablagerungen an den Klingen des SC-75. Der Selbstreinigungszyklus verringert die Nutzungsdauer des SC-75 und sollte daher nur aktiviert werden, um Kalkablagerungen an den Klingen zu verringern. Der Selbstreinigungszyklus kann in Intervallen von 3, 4 oder 5 Stunden optimal abgestimmt auf Ihre Poolbedingungen ausgeführt werden, um Kalkablagerungen an den Klingen zu verringern und die Nutzungsdauer des SC-75 zu verlängern. Werksseitig ist der Zyklus während der ersten 30 Betriebstage auf zwei (2) Stunden eingestellt. Danach erfolgt die Umschaltung auf drei (3) Stunden. Halten Sie die Taste "LESS" drei (3) Sekunden gedrückt, um den Selbstreinigungszyklus zu verändern. Die Desinfektionsausstoßanzeige zeigt die Betriebsstunden als Balkendiagramm an. Die Anzahl der leuchtenden LEDs zeigt Umkehrstunden an. Durch Drücken der Taste "More" oder "Less" wird diese Einstellung verändert.

Poolwasserchemie - Voraussetzungen und Vorsichtsmaßnahmen

Dieses Kapitel beschreibt das Startverfahren und enthält die Betriebsanleitungen für die SC-75-Salzelektrolysezelle.

Poolwasserchemie - Voraussetzungen und Vorsichtsmaßnahmen

1. Neues Poolwasser: Ein kürzlich oder neu gefüllter Pool kann unerwünschte Fremdstoffe enthalten. Diese unerwünschten Fremdstoffe könnten sich nachteilig auf die Chloriniereigenschaften des SC-75 auswirken. Lassen Sie das Poolwasser vor Inbetriebnahme der SC-75-Salzelektrolysezelle von einem Poolfachmann überprüfen und richtig einstellen.



WARNING

Salz erzeugt grundsätzlich Korrosion. Weil der Salzgehalt für den fehlerfreien Betrieb des SC-75-Salzelektrolysezelle im Vergleich zu Meerwasser oder anderen Salzlösungen relativ gering ist, erhöht jede Salzzugabe zum Wasser Ihres Pools die Wahrscheinlichkeit für Korrosion oder andere Schäden an der Poolausrüstung und allen Oberflächen in und um Ihren Pool. Metallteile (einschließlich Stahlpools) und bestimmte natürliche sowie künstlich hergestellte Oberflächen sind besonders korrosions- und schadensanfällig, wenn Sie in und um einen Salzwasserpool verwendet werden. Die Pentair Aquatic Systems ("Pentair") übernimmt keine Gewährleistung oder anderweitige Garantie, dass der ordnungsgemäße Betrieb einer SC-75-Salzelektrolysezelle Korrosion oder andere Beschädigungen an der Poolausrüstung und allen Oberflächen in und um Ihren Pool verhindert. Konsultieren Sie Ihren erfahrenen Poolfachmann, der Ihnen bei der richtigen Auswahl von Materialien und Montageverfahren für diese Materialien sowie dem richtigen Betrieb, der Pflege und Wartung dieser Materialien für Ihren speziellen Pooltyp und -standort helfen kann, um Korrosion und Schäden zu minimieren, die grundsätzlich in und um einem Salzwasserpool auftreten.

2. Superchlorierung verbrennt die Absonderungen der Schwimmer, die sich mit dem Chlor verbunden haben. Dann wird Chlor für die Desinfektion freigesetzt. Dazu wird der Chlorgehalt schnell und dramatisch erhöht. Wenn der Chlorgehalt um das Zehnfache (10) des gebundenen Chlors erhöht wird (im Allgemeinen 5-10 ppm) dann bezeichnet man das Poolwasser als superchloriniert. Es wird ständig Poolwasser durch den eingeschalteten SC-75 geführt und deshalb wird das gesamte Wasser im SC-75 superchloriniert. Wenn die SC-75-Salzelektrolysezelle in Pool eingesetzt wird, glitzert das Wasser und die Augen brennen nicht, weil keine Chloramine vorhanden sind.

Hinweis: Bei der Erstinbetriebnahme des Pools ist die Superchlorinierung mithilfe einer externen Quelle vorzuziehen, z. B. eine Schockbehandlung, die Sie bei Ihrem lokalen Poolfachmann erhalten.

3. Chloramine dürfen in Poolwasser nicht vorhanden sein. Chloramine werden gebildet, wenn Ammoniak (das in Urin und Schweiß enthalten ist) mit freiem Chlor gebunden wird. Dadurch wird das freie Chlor im Pool gebunden und das Chlor kann den Pool nicht desinfizieren. Chloramine reizt zudem die Augen und riecht faulig. Superchlorinierung für den Abbau der Chloramine bei der Erstinbetriebnahme des Pools und später bei Bedarf für den richtigen Gehalt an freiem Chlor.

4. Cyanursäure wird in Außenpools benötigt, um den richtigen Chlorgehalt zu stabilisieren und beizubehalten. 90 % des nicht stabilisierten Chlors wird innerhalb zwei Stunden durch UV-Einstrahlung zerstört. Cyanursäure stabilisiert das Chlor im Wasser und schützt es vor der Zersetzung durch UV-Strahlen. Bei Einsatz des SC-75 sollte der Gehalt an Cyanursäure zwischen 30-50 ppm liegen. Siehe Tabelle 2.

HINWEIS: KEINE CYANURSAURE IN INNENPOOLS VERWENDEN.

5. Gesamtgehalt (gelöste Salze) (TDS): Die Zugabe von Salz zum Poolwasser erhöht den TDS-Gehalt. Auch, wenn dies keine nachteiligen Auswirkungen auf die Chemie oder Klarheit des Poolwassers hat, muss der professionelle TDS-Wassertest die Salzzugabe zum SC-75-System anzeigen. Dann subtrahiert die Person, die den TDS-Test durchführt, den Salzgehalt und erhält so den TDS-Gehalt im Pool. Das heißt, das Ergebnis ist mit einer TDS-Messung für einen Süßwasserpool kompatibel.

6. Metalle - Einige Metalle, z. B. Kupfer und Eisen tragen zu Chlorverlust bei. Und Metalle können Flecken in Ihrem Pool hinterlassen. Metalle können die SC-75-Salzelektrolysezelle auch beschädigen. Lassen Sie Ihren Poolfachmann vor Ort den Pool auf Metallrückstände überprüfen. Er empfiehlt Ihnen Methoden für das Entfernen der Metalle.

7. Nitrate und Phosphate können zu extrem hohem Chlorgehalt beitragen und verbrauchen das Chlor in Ihrem Swimmingpool. In einigen Fällen können Nitrate den Chlorgehalt auf unter null absenken. Ihr Poolfachmann vor Ort kann den Nitrat- und Phosphatgehalt überprüfen. Ein Nitratgehalt von 0 ppm ist ideal; Poolbesitzer sollten jedoch darauf achten, dass der Nitratgehalt 10 ppm NICHT überschreitet. Der Anteil der Phosphate sollte 125 Teile/Milliarde (ppb) nicht überschreiten.

Optimale chemische Poolwasserbedingungen für Salzwasserpools (Verwendung der SC-75-Salzelektrolysezelle)

Laut den Normen der Association of Pool and Spa Professionals (APSP) wird empfohlen, die folgenden Bedingungen für die Wasserchemie zum Schutz der Poolbenutzer, des Zubehörs und der Flächen in und um den Pool ständig beizubehalten. Diese Werte sind wichtig, denn Sie gewährleisten die richtigen Betriebsbedingungen für das Poolzubehör und verhindern Korrosion, Kalkablagerungen sowie weitere Probleme. Der Gewährleistung für die CHLOR-Salzelektrolysezelle kann nur aufrecht erhalten werden, wenn diese Bedingungen erfüllt werden. Weiterführende Informationen erhalten Sie bei der vor Ort zuständigen Behörde, NSPI (National Spa and Pool Institute), den CDC (Centers for Disease Control) oder der WHO (Weltgesundheitsorganisation).

Freies Chlor:	2,0 - 4,0 ppm. Über 4,0 ppm können metallische Komponenten korrodieren.
Gebundenes Chlor (Chloramine):	Keine (Superchlorinierung zur Entfernung aller Chloramine)
pH-Wert:	7,2 - 7,8 (MIT SALZSÄURE senken Sie den pH-Wert ab, mit Ätznatron erhöhen Sie den pH-Wert.)
Cyanursäure:	30 - 50 ppm
Alkalinität, gesamt:	80 - 120 ppm
Kalziumhärte:	200 - 400 ppm
TDS (einschließlich Salz):	3000 min. bis 5700 bis 6000 max. ppm
Salz:	3000 - 4500 ppm (ideal 3400 ppm)
Metalle (Kupfer, Eisen, Mangan):	Keine
Nitrate:	Keine
Phosphate:	Unter 125 ppb
Sättigungsindex	-0,3 bis 0,3 (null (0) am besten)

Pool mit Abdeckung und Pools mit Vinylauskleidung und Verringerung der Chlorausstoßmengen

Wenn die SC-75-Salzelektrolysezelle für Pools mit Abdeckung und Pools mit Vinylauskleidung verwendet wird, wird weniger Chlor benötigt. Es wird empfohlen den Chlorausstoß für abgedeckte Pools abzusenken.

Chlortest

Es wird empfohlen die Chlorproben an zwei (2) Stellen im Pool zu nehmen. Vergleichen Sie die Proben. Der Gehalt sollte in der Rücklaufleitung höher sein. Ein höherer Gehalt in der Rücklaufleitung weist darauf hin, dass der SC-75 Chlor erzeugt. Nehmen Sie hier Chlorproben für die Tests:

- Rücklaufleitung.
- 450 mm unter der Oberfläche und entfernt von der Rücklaufleitung.

Welcher Salztyp soll verwendet werden?

Je reiner das Salz, desto länger ist die Nutzungsdauer und die Leistung der SC-75-Salzelektrolysezelle. Verwenden Sie mindestens 99,8 % reines NaCl-Salz, Natriumchlorid. Das bevorzugte und empfohlene Salz ist verdunstetes, gekörntes, Lebensmittelsalz ohne Jod und Zusätze. Wenden Sie sich an Ihren Poolfachmann/Salzlieferanten.

- Salze mit Antibackmittel sollten nicht verwendet werden (Natriumferrozyanid oder Klärsalz). Die Füllmassen können die Fittings und Pooloberflächen verfärben.
- Salz-Pellets für die Wasserverbesserung sind komprimiertes verdunstetes Salz. Diese Pellets können verwendet werden, allerdings dauert es länger, bis Sie sich aufgelöst haben. Solche Pellets können den Kunststoff und andere Flächen in und um den Pool beschädigen.
- Als Salzquelle kein Kalzium- oder Kaliumchlorid verwenden. (Ausschließlich Natriumchlorid verwenden).
- Kein Steinsalz verwenden (nicht lösliche Unreinheiten können, gemischt mit Steinsalz, die Nutzungsdauer des SC-75 verkürzen).

Wie viel Salz soll verwendet werden?

CAUTION NEU GEBAUTE POOLS ODER POOLS MIT NEUEM KUNSTSTOFF: Den SC-75 nicht bedienen, wenn der Pool neu mit Kunststoff vergossen oder aufgebaut wurde. Salz ist ein korrodierendes Element und kann Ihren Pool stark beschädigen. Vor der Zugabe von Salz und dem Betrieb des SC-75 muss der Kunststoff mindestens EINEN (1) MONAT aushärten. Beachten Sie die Anweisungen des Oberflächenherstellers für Ihren Pool.

BEI NEUEM POOLS MIT VINYLAUSKLEIDUNG halten Sie vor der Zugabe von Salz und der Inbetriebnahme des SC-75 bitte Rücksprache mit dem Hersteller.

Ermitteln Sie den Salzbedarf mithilfe des Diagramms in Tabelle 1. Die meisten Pools enthalten, abhängig von der Wasserquelle und den für die Desinfektion verwendeten Chemikalien, etwas Salz. Deshalb muss der Poolbesitzer den Salzgehalt vor der Salzzugabe stets kontrollieren. Der Salzgehalt des Poolwassers kann mithilfe eines für NaCl (Salz) kalibrierten Handmessgeräts ermittelt werden. Nach dem Einschalten der SC-75-Salzelektrolysezelle blinken die LED-Salzgehaltleuchten circa zwei (2) Minuten von Oben nach Unten während das Poolwasser analysiert wird. Danach zeigen die LED-Meldeleuchten einen (1) von vier (4) Salzgehaltbereichen. Diese statische Leuchte zeigt den Salzstatus des Pools an.

- Für optimale Wasserbedingungen werden 3000 bis 3500 ppm Salz empfohlen.
- Wenn der Salzgehalt 2600 ppm unterschreitet, schaltet das Gerät ab.
- Hohe Salzkonzentrationen über 4500 ppm können zu starker Korrosion oder Beschädigung des Zubehörs und der Flächen in und um den Pool beitragen.

Hinweis: Die Salzmessergebnisse können abhängig von den Messgeräten variieren (Salzteststreifen, elektronische Testgeräte und Titration). Messgenauigkeit des Salzsensors: +/- 500 ppm. Weiterführende Hinweise zu hohem Salzgehalt entnehmen Sie bitte dem Abschnitt "Fehlerbehebung".

Berechnung des Sättigungsindex

Der Sättigungsindex ist eine Formel, die sich auf den pH-Wert, Kalzium und die Alkalinität im Poolwasser bezieht. Gut ausgewogenes Poolwasser liegt in einem Bereich (Formelergebnis) von -0,3 bis 0,3. Außerhalb dieser Messwerte ist das Poolwasser nicht ausgewogen und dann kann das Poolzubehör beschädigt werden oder SC-75 verkalkt. Formel für die Berechnung des SI:

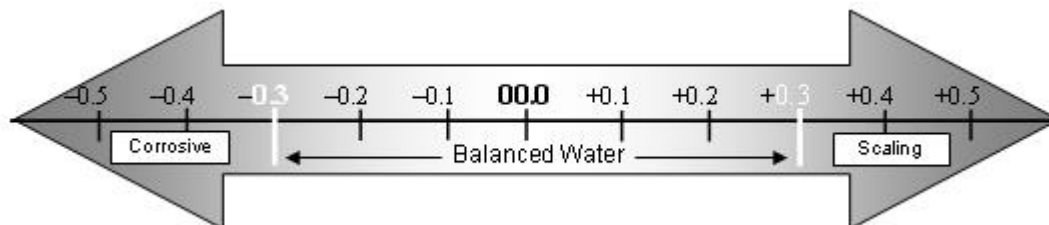
$$SI = pH + CHF + AF + TF + TDSF$$

Sättigungs- index	pH-Wert gemäß Test	Kalzium- härte- Faktor	Alkalinität- Faktor	Temperatur- Faktor	TDS Faktor
----------------------	--------------------------	------------------------------	------------------------	-----------------------	---------------

Cyanursäure trägt in der Form von Cyanurat zur Alkalinität bei. Daher muss der Alkalinität-Gesamtwert korrigiert werden. Wir subtrahieren 1/3 des Cyanursäuregehalts vom Messergebnis der gesamten Alkalinität ab.

Alkalinität, gesamt - 1/3 Cyanursäure = korrigierte Alkalinität

Dieser Korrekturfaktor kann in Pools mit hohem Cyanursäuregehalt beträchtlich sein. Zum Beispiel liegt der Korrekturwert bei 240 ppm Cyanursäure bei 80 ppm (240 ÷ 3 = 80).



TDS-Faktor (Die nachstehenden Faktoren basieren auf dem Istmesswert des entsprechenden Parameters)

TDS	Faktor
<1000	12,10
1000	12,19
2000	12,29
3000	12,35
4000	12,41
5000	12,44

Langelier Sättigungsindex-Faktoren

Temperature			Calcium Hardness		Total Carbonate Alkalinity	
°F	°C	TF	ppm (mg/L)	CHF	ppm (mg/L)	AF
32	0.0	0.0	25	1.0	25	1.4
37	2.8	0.1	50	1.3	50	1.7
46	7.8	0.2	75	1.5	75	1.9
53	11.7	0.3	100	1.6	100	2.0
60	15.6	0.4	125	1.7	125	2.1
66	18.9	0.5	150	1.8	150	2.2
76	24.4	0.6	200	1.9	200	2.3
84	28.9	0.7	250	2.0	250	2.4
94	34.4	0.8	300	2.1	300	2.5
105	40.6	0.9	400	2.2	400	2.6
			800	2.5	800	2.9

So fügen Sie dem Pool Salz hinzu

CAUTION NEU GEBAUTE POOLS ODER POOLS MIT NEUEM KUNSTSTOFF: Den SC-75 nicht bedienen, wenn der Pool neu mit Kunststoff vergossen oder aufgebaut wurde. Salz ist ein korrodierendes Element und kann Ihren Pool stark beschädigen. Vor der Zugabe von Salz und dem Betrieb des SC-75 muss der Kunststoff mindestens EINEN (1) MONAT aushärten. Beachten Sie die Anweisungen des Oberflächenherstellers für Ihren Pool.

BEI NEUEN POOLS MIT VINYLAKLEIDUNG halten Sie vor der Zugabe von Salz und der Inbetriebnahme des SC-75 bitte Rücksprache mit dem Hersteller.

1. Prüfen Sie den Salzgehalt des Poolwassers vor der Zugabe von Salz.
2. Ermitteln Sie die Salzmenge mithilfe der folgenden Diagramme.
3. Geben Sie das Salz langsam entlang der Außenränder des Pools zu, damit es sich schnell und gleichmäßig verteilt.
 - a. Fügen Sie kein Salz durch den Skimmer oder Ansaugbehälter hinzu, weil der Filter verstopfen kann und das Poolzubehör sowie die umgebenden Flächen dadurch beschädigt werden können.
4. Der Poolboden muss gebürstet werden und das Wasser 24 Stunden zirkulieren, damit sich das Salz vollständig auflöst.
5. Überprüfen Sie nach 24 Stunden den Salzgehalt mithilfe der LED-Meldeleuchten an der SC-75-Salzelektrolysezelle und einem verlässlichen, separaten Testverfahren.
6. Schalten Sie die SC-75-Salzelektrolysezelle ein und stellen Sie den Desinfektionsausstoß richtig ein, um das freie Chlor im Poolwasser zu erfassen (d. h., innerhalb 2,0 - 4,0 ppm, von APSP empfohlener Bereich).

Vorbereitung des Poolwassers

Ermittlung der Poolgröße (Wassermenge im Pool/Liter)

- **Rechtwinklige Pools:** Länge x Breite (Meter) x durchschnittliche Tiefe x 1000
- **Runde Pools:** Durchmesser x Durchmesser x durchschnittliche Tiefe x 785
- **Ovale Pools:** Länge x Breite (Meter) x durchschnittliche Tiefe x 893
- **Abfallende Seiten :** Multiplikation Gesamtmenge 0,85 Liter = Liter Kapazität

CAUTION Verwenden Sie in wasserarmen Regionen mit starker Verdunstung und minimaler Verdünnung des Poolwassers mit Frischwasser niemals Trockensäure (Natriumbisulfat), um den pH-Wert anzupassen. Die Nebenprodukte können den SC-75 beschädigen.

TABELLE 1. Ungefähre Salzmenge in Pounds (lbs)/Kilogramm (kg), um 3.400 ppm im Pool zu erhalten

CHART FOR ADDITION OF SALT TO 3400														
Pool Litres		0 ppm	250 ppm	500 ppm	750 ppm	1000 ppm	1250 ppm	1500 ppm	1750 ppm	2000 ppm	2250 ppm	2500 ppm	2800 ppm	3000 ppm
37,800	lbs	284.00	263.12	242.24	221.35	200.47	179.59	158.71	137.82	116.94	96.06	75.18	50.12	33.1
	kg	128.82	119.35	109.88	100.41	90.93	81.46	71.99	62.52	53.04	43.57	34.10	22.73	15.16
45,400	lbs	340.80	315.74	290.68	265.62	240.56	215.51	190.45	165.39	140.33	115.27	90.21	60.14	40.09
	kg	154.59	143.22	131.85	120.49	109.12	97.75	86.39	75.02	63.65	52.29	40.92	27.28	18.19
53,000	lbs	397.60	368.36	339.13	309.89	280.66	251.42	222.19	192.95	163.72	134.48	105.25	70.16	46.78
	kg	180.35	167.09	153.83	140.57	127.31	114.05	100.78	87.52	74.26	61.00	47.74	31.83	21.22
60,600	lbs	454.40	420.99	387.58	354.16	320.75	287.34	253.93	220.52	187.11	153.69	120.28	80.19	53.46
	kg	206.12	190.96	175.80	160.65	145.49	130.34	115.18	100.03	84.87	69.72	54.56	36.37	24.25
68,100	lbs	511.20	473.61	436.02	398.44	360.85	323.26	285.67	248.08	210.49	172.91	135.32	90.21	60.14
	kg	231.88	214.83	197.78	180.73	163.68	146.63	129.58	112.53	95.48	78.43	61.38	40.92	27.28
75,700	lbs	568.00	526.24	484.47	442.71	400.94	359.18	317.41	275.65	233.88	192.12	150.35	100.24	66.82
	kg	257.64	238.70	219.76	200.81	181.87	162.92	143.98	125.03	106.09	87.14	68.20	45.47	30.31
83,300	lbs	568.00	526.24	484.47	442.71	400.94	359.18	317.41	275.65	233.88	192.12	150.35	100.24	66.82
	kg	257.64	238.70	219.76	200.81	181.87	162.92	143.98	125.03	106.09	87.14	68.20	45.47	30.31
90,900	lbs	681.60	631.48	581.36	531.25	481.13	431.01	380.89	330.78	280.66	230.54	180.42	120.28	80.19
	kg	309.17	286.44	263.71	240.97	218.24	195.51	172.77	150.04	127.31	104.57	81.84	54.56	36.37
106,000	lbs	795.20	736.73	678.26	619.79	561.32	502.85	444.38	385.91	327.44	268.96	210.49	140.33	93.55
	kg	360.70	334.18	307.66	281.14	254.61	228.09	201.57	175.05	148.52	122.00	95.48	63.65	42.44
113,600	lbs	852.00	789.35	726.71	664.06	601.41	538.76	476.12	413.47	350.82	288.18	225.53	150.35	100.24
	kg	386.47	358.05	329.63	301.22	272.80	244.38	215.97	187.55	159.13	130.72	102.30	68.20	45.47

TABELLE 2. Ungefähre Desinfektionsmittelmenge (Cyanursäure), um 40 ppm im Pool zu erhalten

Current Cyanuric Acid Level - ppm	10,000 g (38,000 L)	12,000 g (45,425 L)	14,000 g (53,000 L)	16,000 g (60,600 L)	18,000 g (68,137 L)	20,000 g (76,000 L)	22,000 g (83,300 L)	24,000 g (90,850 L)	26,000 g (98,421 L)	28,000 g (106,000 L)	30,000 g (134,000 L)
0	3.25 (1.47 kg)	3.90 (1.77 kg)	4.55 (2.6 kg)	5.20 (2.36 kg)	5.85 (2.65 kg)	6.50 (2.94 kg)	7.15 (3.24 kg)	7.80 (3.53 kg)	8.45 (3.83 kg)	9.10 (4.12 kg)	9.75 (4.42 kg)
10	2.43 (1.10 kg)	2.92 (1.32 kg)	3.40 (1.54 kg)	3.89 (1.76 kg)	4.37 (1.98 kg)	4.86 (2.20 kg)	5.35 (2.42 kg)	5.83 (2.64 kg)	6.32 (2.86 kg)	6.80 (3.08 kg)	7.29 (3.30 kg)
20	1.62 (0.73 kg)	1.94 (0.88 kg)	2.27 (1.03 kg)	2.59 (1.17 kg)	2.92 (1.32 kg)	3.24 (1.47 kg)	3.56 (1.61 kg)	3.89 (1.76 kg)	4.21 (1.91 kg)	4.54 (2.05 kg)	4.86 (2.20 kg)

Hinweis: Der Cyanursäure-Messwert sollte zwischen 30 - 50 ppm sein.

Abschnitt 3

Betrieb des SC-75™ Salzelektrolysezelle

Dieses Kapitel beschreibt das Inbetriebnahmeverfahren und enthält die Betriebsanleitungen für die SC-75-Salzelektrolysezelle. Vor dem Start und der Inbetriebnahme des SC-75 muss der Pool, in dem der SC-75 verwendet wird, mindestens einen (1) Monat mit Wasser gefüllt sein (Kunststoffpools) und der Salzgehalt des Poolwassers muss stabil zwischen 3.300 und 3.600 ppm betragen.

Erstinbetriebnahmephase

Während der ersten 30 (dreißig) Betriebstage der Zelle ist der Selbstreinigungszyklus ab Werk mit zwei (2) Stunden festgelegt. Nach 30 (dreißig) Tagen schaltet der SC-75 automatisch in den dreistündigen (3) Selbstreinigungszyklus. Mithilfe dieser Funktion werden die SC-75-Klingen der Erstinbetriebnahme häufiger gereinigt. Danach erfolgt die Umschaltung in ein längeres Selbstreinigungsintervall, wodurch sich die Nutzungsdauer der Klingen verlängert.

Betrieb

Eine externer Timer für die Poolpumpe wird nicht benötigt.

Der SC-75 versorgt den Pool täglich für die Desinfektion mit einer ausreichende Menge Chlor. Wenn die Pumpe im Dauertrieb läuft und der SC-75 rund um die Uhr (24 Stunden) mit 100 % arbeitet, wird mehr Chlor erzeugt, als die meisten Pools benötigen (2-4 ppm, laut den APSP-Empfehlungen). Der SC-75 ist mit einem eigenen Timer ausgestattet sein und schaltet die Elektrolysezelle abhängig von der prozentualen Einstellung für den Desinfektionsausstoß ein und aus.

CAUTION Der SC-75 erzeugt ausschließlich Chlor. Das Gerät steuert oder kontrolliert den Chlorgehalt im Pool- oder Whirlpool-Wasser nicht. Die Überwachung und die Beibehaltung des freien Chlorgehalts im Wasser gemäß Empfehlungen von APSP im Bereich von 2,0 bis 4,0 ppm (Teile/Million) obliegt dem Pooleigentümer. Die Überwachung des Gehalts an freiem Chlor während des Betriebs der Poolpumpe und die entsprechende Anpassung der Desinfektionsausstoßmenge am SC-75 obliegt dem Pooleigentümer.

CAUTION Hinweise zur Bedienung des SC-75 entnehmen Sie bitte dem Absatz "Allgemeine Empfehlungen und allgemeine Warnhinweise" am Ende des Kapitels "Vorbereitung des Poolwassers" im vorhergehenden Kapitel. Stellen Sie den Desinfektionsausstoß nicht über 20 % ein, wenn nicht sicher ist, dass das Salz sich im Pool aufgelöst hat. Bei Betrieb ohne Salz schaltet das Gerät aus und an der Salzanzeige leuchtet die Meldeleuchte "ADD SALT" (SALZ ZUGEBEN) auf. Chlor wird erst erzeugt, nachdem dem Pool Salz hinzugefügt wurde.

Verwendung eines Poolpumpen-Timers:

Die Association of Pool and Spa Professionals (APSP) empfiehlt, dass das gesamte Wasser in einem Privatpool mindestens im Intervall von 24 Stunden durch das Filtrationsmanager strömen sollte (Poolwasseraustausch). Allerdings beeinflussen viele Faktoren die tatsächliche Betriebsdauer von Pumpe und Filtersystem. Die Poolgröße, Wasserquelle, direkte Sonneneinstrahlung Innen/Außen, mit Sieb/ohne Sieb, Filtrationssystem, warme und kalte Witterung, Schwimmeraufkommen, Regen, organische Rückstände, Algen etc. sind Faktoren, die zu längeren oder kürzeren Betriebsstunden von Pumpe und Filtersystemen beitragen. Deshalb ist es äußerst schwierig eine standardmäßige anfängliche Betriebszeit (Startpunkt) für die Poolpumpe und das Chloriniersystem festzulegen.

Daher sollte der Timer der Poolpumpe anfänglich auf 12 (zwölf) Stunden eingestellt werden. Nach einigen Tagen lässt sich die richtige Betriebsdauer der Poolpumpe ermitteln. Wenn der SC-75 mit einem Poolpumpen-Timer verbunden ist, weichen die Ergebnisse zwischen den einzelnen Poolinstallationen stark voneinander ab und sollten mit einem Poolfachmann abgestimmt werden. Die wichtigsten Punkte:

- Die Pumpe muss mindestens so lange laufen, bis die Filtration gut ist und der SC-75 die ausreichende Menge Chlor entsprechend der Empfehlungen Ihres Poolfachmanns produziert.
- Die Pumpen-Timer können den Energieverbrauch verringern, allerdings muss die Pumpe in Betrieb sein, damit die SC-75-Salzelektrolysezelle Chlor erzeugen kann. Zudem muss sie lange genug laufen, damit der Chlorgehalt stabil bleibt (d. h., 2,0 - 4,0 ppm freies Chlor).

Hinweis: Ausnahme - Betrieb bei kalter Witterung: Das Gerät schaltet bei Temperaturen unter 12° C ab und erzeugt kein Chlor. Diese Funktion verlängert die Nutzungsdauer der Zelle.

Inbetriebnahmeverfahren (Superchlorierung)

Di Superchlorierung wird vor der Inbetriebnahme des Pools empfohlen. Starten Sie von Beginn an mit sauberem, richtig chloriertem Poolwasser. Der SC-75 erzeugt innerhalb von Stunden eine ausreichende Menge Chlor. Wenn der Chlorbedarf jedoch von Beginn an hoch war, kann der SC-75 nicht genügend Chlor für die optimale Chlorierung erzeugen. Deshalb sollte die Superchlorierung während der Inbetriebsetzung des Pools an einer externen Quelle verwendet werden. Sobald der Chlorgehalt 2,0 bis 4,0 ppm erreicht hat, schalten Sie den SC-75 an.

Desinfektionsausstoß Einstellungen und Anpassung

- Schalten Sie die Poolpumpe oder den Timer der Poolpumpe ein. An der Salzanzeige blinken beide LEDs (oben und unten) während zwei (2) Minuten. Dies ist ein Hinweis darauf, dass der Salzgehalt nicht kontrolliert wurde. Der Salzgehalt wird überprüft und nach zwei (2) Minuten leuchtet eine (1) der Salzgehalt-LEDs. Wenn der Salzgehalt 2600 ppm unterschreitet, leuchtet die rote Salzanzeige "LOW" (NIEDRIG) rot und die Leuchte "CELL" (ZELLE) erlischt. Dies bedeutet, dass der Salzgehalt im Pool zu niedrig ist für die Produktion von Chlor.
- Mithilfe der Tasten "MORE" oder "LESS" legen Sie den Desinfektionsausstoß auf "MED" (MITTEL) fest.
- Kontrollieren Sie das Poolwasser nach 24 Stunden mithilfe einer verlässlichen Testmethode auf die Menge freien Chlors. 2,0-4,0 ppm ist der ideale Bereich. Wenn der Gehalt an freiem Chlor im Poolwasser zu gering ist, erhöhen Sie die Chlorproduktion mithilfe der Taste "MORE". Wenn der Gehalt an freiem Chlor im Poolwasser zu hoch ist, erhöhen Sie die Chlorproduktion mithilfe der Taste "LESS".
- Der Bedarf an freiem Chlor variiert in den einzelnen Pools und daher kann es einige Tage dauern, bis die täglichen Poolbetriebsstunden und der prozentuale Anteil des "Desinfektionsmittellausstoßes" richtig für Ihren Pool ermittelt werden. Passen Sie den Wert ggf. weiter an und warten Sie 24 Stunden bis sich das freie Chlor im Poolwasser zwischen 2,0 - 4,0 ppm stabilisiert hat (APSP-Empfehlung).

Winterbetrieb

Bei Temperaturen unter 12° C schaltet die SC-75-Salzelektrolysezelle ab und erzeugt kein Chlor. Diese Funktion verlängert die Nutzungsdauer des SC-75. Siehe "Überwinterung".

Allgemeine Empfehlungen

- Lesen Sie diese Installations- und Bedienungsanleitungen und bewahren Sie sie an einem sicheren Ort auf.
- Nach starken Regenfällen (Außenpools) muss der Desinfektionsausstoß erhöht und danach wieder auf den ursprünglichen Wert eingestellt werden.
- Erhöhen Sie den Desinfektionsausstoß, wenn die Temperatur von Luft und Wasser steigt.
- Erhöhen Sie den Desinfektionsausstoß, wenn sich die Anzahl der Poolbenutzer erhöht.
- Cyanursäure darf NUR verwendet werden, um das Chlor im Wasser von Außenpools zu stabilisieren.
HINWEIS: CYANURSÄURE NICHT IN INNENPOOLS VERWENDEN.
- Lassen Sie einmal monatlich eine Probe des Poolwassers von einem Experten analysieren.

Allgemeine Sicherheitshinweise

- Es dürfen keine Düngemittel in den Pool gelangen. Düngemittel enthalten Nitrate, die den Chlorbedarf erhöhen.
- Verwenden Sie in wasserarmen Regionen mit starker Verdunstung und minimaler Verdünnung des Poolwassers mit Frischwasser niemals Trockensäure, um den pH-Wert anzupassen. Die Nebenprodukte können den SC-75 beschädigen.
- Poolwasserausgleichsmittel (auch Salz) dürfen ausschließlich zugegeben werden, wenn der SC-75 ausgeschaltet ist.
- Der Cyanursäuregehalt darf in Außenpools niemals 30 ppm unterschreiten.
HINWEIS: CYANURSÄURE NICHT IN INNENPOOLS VERWENDEN.

Abschnitt 4

Wartung durch den Benutzer

Dieses Kapitel erläutert die Wartung der SC-75-Salzelektrolysezelle.

Tägliche Wartung.

Keine.

Wöchentliche Wartung

1. pH-Wert Test: Testen Sie den pH-Wert des Poolwassers mit einer verlässlichen Testmethode. Nehmen Sie Anpassungen ggf. entsprechend der Empfehlungen Ihres Poolfachmanns vor. Laut den APSP-Empfehlungen liegt der ideale pH-Wert zwischen 7,4 bis 7,6, wobei 7,2 bis 7,8 ein akzeptabler Bereich laut APSP ist.

Hinweis: Verwenden Sie in wasserarmen Regionen mit starker Verdunstung und minimaler Verdünnung des Poolwassers mit Frischwasser niemals Trockensäure (Natriumbisulfat), um den pH-Wert anzupassen. Die Nebenprodukte können den SC-75 beschädigen.

2. Test gesamte Alkalinität: Testen Sie die Alkalinität des Poolwassers mit einer verlässlichen Testmethode. Nehmen Sie Anpassungen ggf. entsprechend der Empfehlungen Ihres Poolfachmanns vor. Laut APSP ist der empfohlene Bereich für die Alkalinität 80 bis 120 ppm.

3. Chlor-Test: Testen Sie den Gehalt an freiem Chlor des Poolwassers mit einer verlässlichen Testmethode. Der ideale Wert wird durch Anpassung der SC-75-Salzelektrolysezelle-Desinfektionsmittelmenge beibehalten. Siehe "Die Ausstoßasten More (Mehr) und Less (Weniger)"

- a. Wünschenswerter Gehalt an freiem Chlor 2,0-4,0 ppm, laut den APSP-Empfehlungen.
- b. Über 4,0 ppm kann das Chlor zu starker Korrosion der Metallkomponenten beitragen und das Poolzubehör beschädigen.
- c. Es wird empfohlen, Proben für die Ermittlung des freien Chlors an zwei (2) Stellen des Pools zu nehmen - eine in der Rücklaufleitung und die andere von der Rücklaufleitung entfernt. Vergleichen Sie die Testergebnisse. Der Gehalt an freiem Chlor sollte in der Rücklaufleitung höher sein. Ein höherer Gehalt an freiem Chlor in der Rücklaufleitung weist darauf hin, dass der SC-75 Chlor erzeugt.

Monatliche Wartung

Um die Ausgewogenheit der Chemikalien in Ihrem Pool sicherzustellen, müssen die folgenden, empfohlenen Salz- und Poolwassertests monatlich mit einer verlässlichen Testmethode durchgeführt werden.

1. Salzgehalt-Test: Überprüfen Sie die Leuchten an der Salzanzeige; die grüne Lampe "GOOD" (GUT) muss leuchten und blinkt nicht.

- a. Die rote LED-Salzanzeige "LOW" (NIEDRIG) leuchtet. Geben Sie Salz ins Poolwasser.
- b. Wenn der Salzgehalt nach 24 Stunden nicht höher ist, siehe "Fehlerbehebung"

2. Poolwasserprobe: Bringen Sie eine Probe des Poolwassers zu Ihrem Poolhändler.

3. Cyanursäure: Nehmen Sie eine Probe des Poolwassers und testen Sie den Gehalt an Cyanursäure mithilfe einer verlässlichen Testmethode. Bei Verwendung der SC-75-Salzelektrolysezelle ist der ideale Cyanursäuregehalt 30-50 ppm.

4. Kalziumhärte: Testen Sie die Kalziumhärte im Poolwasser mithilfe einer verlässlichen Testmethode. Nehmen Sie Anpassungen ggf. entsprechend der Empfehlungen Ihres Poolfachmanns vor. Laut APSP liegt der ideale Kalziumwert zwischen 200 und 400 ppm.

5. Metall-Test: Es wird empfohlen eine Probe des Poolwassers regelmäßig auf Metall zu untersuchen, z. B. Kupfer, Eisen, and Mangan. Diese Metalle können die SC-75-Salzelektrolysezelle und das Poolzubehör beschädigen - Sie dürfen niemals in Poolwasser vorhanden sein. Sollte Metalle vorhanden sein, wenden Sie sich an Ihren Poolfachmann.

6. TDS (Gesamtgehalt (gelöste Salze)): Testen Sie den TDS im Poolwasser mit einem Testkit oder bringen Sie eine Wasserprobe zu Ihrem Poolfachmann. Nehmen Sie Anpassungen ggf. entsprechend der Empfehlungen Ihres Poolfachmanns vor. APSP empfiehlt standardmäßig 3000 min. bis 5700 - 6000 max. ppm (einschließlich Salz) für Salzwasserpools.

SC-75™ Salzelektrolysezelle-Betriebsstundenmessgerät

Der SC-75 ist mit einer eingebauten "Betriebsstunden"-Messzelle ausgestattet, die die SC-75-Betriebsstunden anzeigt.

So greifen Sie auf den Systemstatusmodus zu:

1. Halten Sie die Taste "MORE" mindestens drei (3) Sekunden gedrückt, bis die Lampen am Gerät abwechselnd aufleuchten.
2. Eine (1) der drei (3) Desinfektionsausstoß-LED (Niedrig, Mittel, Hoch) leuchtet und zeigt die Nutzungsstunden an. Die Ausstoß-LEDs:
 - 2.000 Stunden (Niedrig/Low LED ein)
 - 4.000 Stunden (Mittel/Med LED ein)
 - 6.000 Stunden (Hoch/High LED ein)

Säubern der SC-75-Klingen

Hinweis: Vor der Säurewäsche müssen die Kalziumrückstände in der Zelle entfernt werden: Sprühen Sie mit einem Gartenschlauch und der Strahleinstellung direkt auf beide Enden der Zelle. Kalzium hat zumeist eine schleimige Konsistenz und wird von der Zelle geblasen. Nachdem der Großteil der Kalziumrückstände entfernt wurde, fahren Sie mit Säurewäsche fort, die nach dem Entfernen des Kalziums wirksamer sein wird.

1. Reinigungsautomatik: Der SC-75 ist mit einer automatischen Klingenreinigungsfunktion ausgestattet (Zellenumkehrung), die das Entfernen von Kalk von den SC-75-Klingen vereinfacht. **Hinweis:** Die Reinigungsautomatik unterbricht die Chlorproduktion nicht. "Kalk" ist eine weiße Verkrustung, die sich vor allem in hartem Wasser oder in nicht ausgewogenem oder unzureichend desinfiziertem Poolwasser bildet. Wenn die SC-75-Klingen stark verkalkt sind, müssen Sie eine Säurewäsche vornehmen. Siehe "Säurewäsche" Schritt 2.

2. Säurewäsche: Wenn die SC-75-Klingen Anzeichen von Verkalken zeigen, wird empfohlen den SC-75 alle zwei (2) Monate auszubauen und ihn auf Kalkablagerungen und/oder Verschmutzung der SC-75-Klingen zu untersuchen. In Regionen mit hartem Wasser muss die Reinigung ggf. häufiger durchgeführt werden. Einige Filter lassen Schmutzpartikel an den SC-75 durch, wodurch die Klingen im SC-75 verstopfen können. Eine geringe Menge Kalk ist normal. Wenn Sie Kalkablagerungen oder Schmutz zwischen den Klingen sehen, muss SC-75 wie folgt gesäubert werden:

Verwenden Sie den Hochdruckwasserstrahl aus einem Gartenschlauch. Wenn sich die Klingen auf diese Weise nicht reinigen lassen, ist die Säurewäsche unumgänglich.

SÄUREWÄSCHE DER SC-75™-KLINGEN:

1. Trennen Sie die AC-Netzversorgung des Power Center. Trennen Sie das Kommunikationskabel der SC-75-Salzelektrolysezelle vom Power Center.
2. Mischen Sie in einem Plastikeimer ein (1) Teil Säure und ein (1) Teil Leitungswasser.
3. Tauchen Sie die Klingen in diese Lösung. Tauchen Sie jedoch weder das Bedienfeld noch die Kabel in die Lösung.
4. Die Klingen werden gesäubert, sobald die Lösung Blasen bildet.

Die Säure sollte im SC-75 lediglich die Klingen bedecken. Keine Säure außerhalb des SC-75 verschütten. Waschen Sie verschüttete Säure sofort mit Wasser ab. Die Lösung schäumt, während der Kalk (Kalziumkarbonat) von den Klingen gelöst wird. Sollte die Lösung nicht stark schäumen, müssen die Klingen nicht gesäubert werden (BEENDEN SIE DIE REINIGUNG - fahren Sie mit den nächsten Schritt fort). Sonst belassen Sie die Klingen in der Lösung bis diese nicht mehr schäumt. Die Säure darf jedoch nicht länger als 30 (dreißig) Minuten im SC-75 wirken. Zu starke Säurewäsche beschädigt die Klingen.

5. Nehmen Sie den SC-75 aus dem Eimer und legen Sie ihn in einen leeren 20-Liter-Eimer. Spülen Sie die Innen- und Außenseite des SC-75 sorgfältig mit Leitungswasser ab und inspizieren Sie ihn. Sollten noch Ablagerungen vorhanden sein, wiederholen Sie den Reinigungsvorgang.

6. Spülen Sie den SC-75 erneut mit Leitungswasser ab und inspizieren Sie ihn. Bauen Sie den sauberen SC-75 wieder ein und setzen Sie den Betrieb fort.

7. Wenn die Säurewäsche durchgeführt werden muss, sollte der Poolfachmann eine Poolwasserprobe nehmen und die Kalziumhärte (idealer Bereich 200 bis 400 ppm) sowie die Wasserbalance überprüfen.

8. Inspizieren Sie das Innere des SC-75 alle zwei Monate (oder häufiger in Regionen mit hartem Wasser). Wenn sich nach vier (4) Monaten keine Kalk- oder Schmutzrückstände im SC-75 gebildet haben, kann das Inspektionsintervall auf zwei (2) Monate verlängert werden. Aufgrund möglicher Veränderungen in der Poolwasserchemie und der Wirkung der Filtration wird jedoch empfohlen, die Zelle mindestens zweimal jährlich auszubauen und zu inspizieren.

9. Verbinden Sie das SC-75-Kommunikationskabel wieder mit dem Power Center und stellen Sie dann die Netzversorgung zum Power Center her.

Überwinterung

Solange der Gehalt an freiem Chlor zwischen 2,0 und 4,0 ppm liegt, muss in kaltem Wasser nur sehr wenig Chlor produziert werden. Bei Temperaturen unter 12° C schaltet die SC-75-Salzelektrolysezelle ab und erzeugt kein Chlor. Diese Funktion verlängert die Nutzungsdauer des SC-75. Ohne vorbeugende Maßnahmen kann gefrierendes Wasser die Zelle beschädigen. Das Einfrieren des Wassers und die Beschädigung der Zelle lassen sich durch den Pumpendauerbetrieb vermeiden oder Sie lassen das gesamte Wasser für die Überwinterung aus Pumpe, Filter und den Rücklaufleitungen ab. Bauen Sie die Zelle aus, säubern Sie sie und lagern Sie sie ein.

Abschnitt 5

Installation

Dieses Kapitel erläutert die Installation der SC-75-Salzelektrolysezelle im Rohrleitungssystem. Überprüfen Sie vor Beginn der Installation das SC-75-Kit und die erforderliche Werkzeuge.

Hinweis: Hinweise zur Power Center-Installation Siehe "SC-75 Power Center Installationsleitfaden"

Hinweis: Das Salz ist nicht im Lieferumfang enthalten. Hinweise zum Salztyp Siehe "Welcher Salztyp soll verwendet werden?"

Erforderliche Werkzeuge

- Bandmaß
- Kreuzschlitz- und Flachkopfschraubendreher
- Zange und Bügelsäge
- Ein Universal-PVC/CPVC/ABS-Reinigungsmittel mit NSF®-Zulassung
- Ein Universal-PVC/CPVC/ABS-Zement mit NSF®-Zulassung

⚠ WARNING

Bei der Installation und der Verwendung dieses Elektrogeräts müssen stets grundlegende Sicherheitsvorkehrungen getroffen werden. Dazu gehören unter anderem:



GEFAHR: GEFAHR EINES STROMSCHLAGS, DER DEN TOD ODER SCHWERE VERLETZUNGEN ZUR FOLGE HABEN KANN.

Vor Beginn der Installationsarbeiten ist die Netzversorgung am Trennschalter abzustellen/abzuschalten. Es wird empfohlen, das SC-75 Power Center an einen Kreislauf mit Fehlerstromschutzschalter anzuschließen.

- Erdung (Potenzialausgleich) ist erforderlich. Die Installation und Erdung des Gerätes ist einem qualifizierten Fachmann zu überlassen.
- Einbau für den Zugriff auf die Zellentasten und das Power Center.
- Lesen Sie die Vorsichtsmaßnahmen und Sicherheitsanweisungen Lesen Sie die Sicherheitsanweisungen vor Beginn der elektrischen Verdrahtung. Die Verdrahtung ist einem qualifizierten Fachmann zu überlassen
- Den SC-75 mindestens 1 m entfernt von der Heizungssteckdose installieren.
- Rohrverbindungen: Nenngröße 80, Max.-Druck 5 Bar (75 psi) bei 21° C - PVC-Leitung 50 mm
- Betrieb des Geräts mit einem Mindestdurchfluss von 6 m³/h. Bei Anwendungen mit hohem Durchfluss werden die besten Messergebnisse mit einer Bypass-Schleife erzielt.
- Der beste Durchfluss wird erzielt, wenn vor dem Zelleneingang ein gerades Rohr, mindestens 30 bis 45 cm, vorgesehen wird.

Installation der SC-75-Zellenbaugruppe

Montieren Sie die SC-75-Zellenbaugruppe ggf. mindestens 900 mm vom Heizungsanschluss entfernt.

Hinweis: Der beste Durchfluss wird erzielt, wenn vor dem Zelleneingang ein gerades Rohr, mindestens 300 bis 450 mm, vorgesehen wird.

Hinweis: Rohrverbindungen: Nenngröße 80, Max.-Druck 5 Bar (75 psi) bei 21° C

So installieren Sie die SC-75-Zelle:

1. Montieren Sie die PVC-Verbindungen mithilfe von PVC-Kleber an der Rohrleitung. Lassen Sie den Kleber trocknen.
2. Montieren Sie die Zelle so, dass der Zugriff auf das Bedienfeld möglich ist. Montieren Sie die Zelle an den Anschlussstücken.
3. Überprüfen Sie den Sitz der O-Ringe.
4. Schalten Sie die Pumpe ein und unterziehen Sie die Anschlussstücke einer Sichtprüfung auf Undichtigkeiten.

Verbinden Sie das Netzkabel der Zelle mit dem Power Center

Nach Abschluss der Zelleninstallation verbinden Sie das Netzkabel mit dem Power Center:

⚠ WARNING

Schalten Sie die Netzversorgung des Power Center vor dem Herstellen von Verbindungen aus.

1. Schalten Sie die Wechselstromversorgung des Power Center vor dem Anschließen des Netzkabels aus.
2. Richten Sie die vier (4) Stifte des Netzkabelsteckers der Zelle am Anschluss unten am Power Center aus und führen Sie den Stecker ein. Drehen Sie Steckermutter bis sie den Stecker arretiert.

Stecker Steckermutter



An Zellenbaugruppe

Benutzen Sie die nachstehenden Informationen zur Fehlerbehebung, um mögliche Probleme mit Ihrer SC-75-Salzelektrolysezelle.

Hinweis: Schalten Sie die Stromversorgung für das Gerät aus, bevor Sie mit Wartungs- oder Reparaturarbeiten beginnen. Schalten Sie die Wechselstromversorgung des Power Center immer aus, bevor Sie die SC-75-Zelle mit dem Power Center verbinden oder von diesem abziehen.

Problem	Mögliche Ursache	Korrekturmaßnahme
Wenig oder kein Chlor	Niedriger Desinfektionsmittelgehalt (Cyanursäure) im Poolwasser (nur in Außenpools).	Cyanursäure ausschließlich zu Außenpools zugeben, um den Wert 30 - 50 ppm gemäß den Empfehlungen des Poolfachmanns zu erhalten. Siehe Desinfektionsmitteldiagramm.
	SC-75-Betriebszeit zu kurz.	Verlängern Sie die tägliche SC-75-Betriebsdauer.
	Desinfektionsausstoß Prozentsatz zu gering oder 0 %.	Erhöhen Sie den Desinfektionsausstoß durch Drücken der Taste "MORE" (MEHR).
	Die Außentemperatur ist gestiegen, die SC-75 Desinfektionsausstoß wurde nicht erhöht.	Erhöhen Sie den Desinfektionsausstoß durch Drücken der Taste MORE" (MEHR).
	Temporäre Chlorzehrung durch starke organische Belastung, Regen, Blätter, Düngemittel oder viele Schwimmer oder Tiere im Pool.	Lassen Sie Anlage 24 Stunden im "Verstärker"-Modus laufen. Überprüfen Sie den Wert und führen Sie eine Superchlorierung an einer Außenquelle durch, wenn der Wert weiterhin zu niedrig ist. (Lassen Sie eine Probe des Poolwassers von einem Poolfachmann untersuchen).
	Geringer (unter 2600 ppm) Salzgehalt im Poolwasser schaltet die Chlorproduktion ab.	Beachten Sie die Salzanzeige-Lampen. Siehe "Salzgehalt Status-LEDs"
	Hoher Nitrat- und Phosphatgehalt.	Wenden Sie sich an Ihren Poolfachmann.
	Metalle im Poolwasser	Wenden Sie sich an Ihren Poolfachmann.
	Neues Poolwasser oder keine Schockbehandlung bei Inbetriebnahme.	Superchlorierung des Pools. Siehe "Inbetriebnahmeverfahren (Superchlorierung)"
Verstopfte oder verschmutzte Zelle.	Zelle zur Inspektion ausbauen. Gegebenenfalls reinigen.	
Die rote SALZ-LED leuchtet.	Das Poolwasser benötigt Salz. Es wird kein Chlor erzeugt.	Salz bis 3400 ppm zugeben.
Die gelbe SALZ-LED leuchtet und die grüne ZELLE-LED blinkt.	Der Salzgehalt im Poolwasser ist zu gering und muss ggf. überprüft werden.	Salzgehalt kontrollieren und ggf. auf einen guten (GOOD) Werte erhöhen. Das Salz erst nach 24 Stunden mit dem Wasser mischen. Wenn die Leuchte "CELL" (ZELLE) weiterhin blinkt, bauen Sie Zelle aus und reinigen Sie gegebenenfalls.
Die grüne SALZ-LED blinkt.	Zu viel Salz im Pool. Das Poolzubehör und die umgebenden Flächen können beschädigt werden.	Verdünnen Sie das Poolwasser, in dem Sie etwas Poolwasser ablassen und dann mit Frischwasser auffüllen.
Die LED "CELL" (ZELLE) ist rot.	Wassertemperatur unter 12°C.	Die Wassertemperatur muss über 12°C sein, um Chlor zu erzeugen.
Die LED "CELL" (ZELLE) leuchtet nicht.	Chlorproduktion auf 00 % festgelegt.	Passen Sie die CHLORPRODUKTION an den gewünschten Prozentsatz an.
	Unzureichender Wasserdurchfluss. Die Zelle ist durch Schmutz verstopft, die Pumpe saugt nicht an.	Entfernen Sie die Hindernisse und/oder reinigen Sie die Zelle. Reinigen Sie die Pumpe ggf.
	Salzgehalt unter 2600 ppm.	Salz hinzufügen.
Die LED "CELL" (ZELLE) blinkt grün.	Salzgehalt kontrollieren.	Fügen Sie ggf. Salz hinzu, um mindestens 3400 ppm zu erreichen.
	Kalziumrückstände in der Zelle; die Zelle muss gesäubert werden.	Hinweise zur Säurewäsche/Reinigung Siehe Wartungsverfahren. Siehe "Wartung durch den Benutzer"
	Wasserchemie und -Ausgleich kontrollieren. HINWEIS Die Metallbestandteile müssen 0 ppm sein.	HINWEIS Metalle mithilfe einer chemische Lösung aus dem Wasser entfernen.

Beschränkte Garantie: 2 Jahre

Weiterführende Informationen: www.pentairpooleurope.com

Fehlerbehebung (Fortsetzung)

Problem	Mögliche Ursache	Korrekturmaßnahme
Die FLOW-LED ist rot.	Die Pumpe erzeugt unzureichenden Wasserdurchfluss.	Überprüfen Sie die Pumpe, d. h. eventuell saugt die Pumpe nicht an oder die Siebkörbe sind verstopft.
	Geschlossene Ventile.	Alle Ventile prüfen und richtig justieren.
	Verschmutzter Filter.	Beachten Sie die Verfahren für die Filterreinigung.
	Hindernis in der Elektrolysezelle.	Zelle zur Inspektion ausbauen. Beachten Sie die Reinigungsverfahren. Siehe "Reinigung der Elektrolysezelle"
Der SC-75 ist nicht an die Stromversorgung angeschlossen.	Sicherung in Power Center geöffnet.	Die AC-Sicherungen am Boden des Power Center austauschen.
	Das Power Center wird nicht mit Wechselstrom versorgt.	Überprüfen, ob die Zeitsteuerung das Power Center mit 220 VAC versorgt.
	Transformatorleitungen nicht richtig im der Power Center-Abdeckung angeschlossen.	Überprüfen Sie den Anschluss der Transformatorleitungen an der AC-Quelle mithilfe des Verdrahtungsdiagramm-Aufklebers an der Innenseite der Power Center-Abdeckung.

Systemspezifikationen - 230 V

Stromkreisschutz: zweipolig, 20 Amp, an der elektrischen Schalttafel.

Modell SC-75P (Stromversorgung)

Eingang: 50Hz, 220-240 VAC, 220 W, 1 Amp.

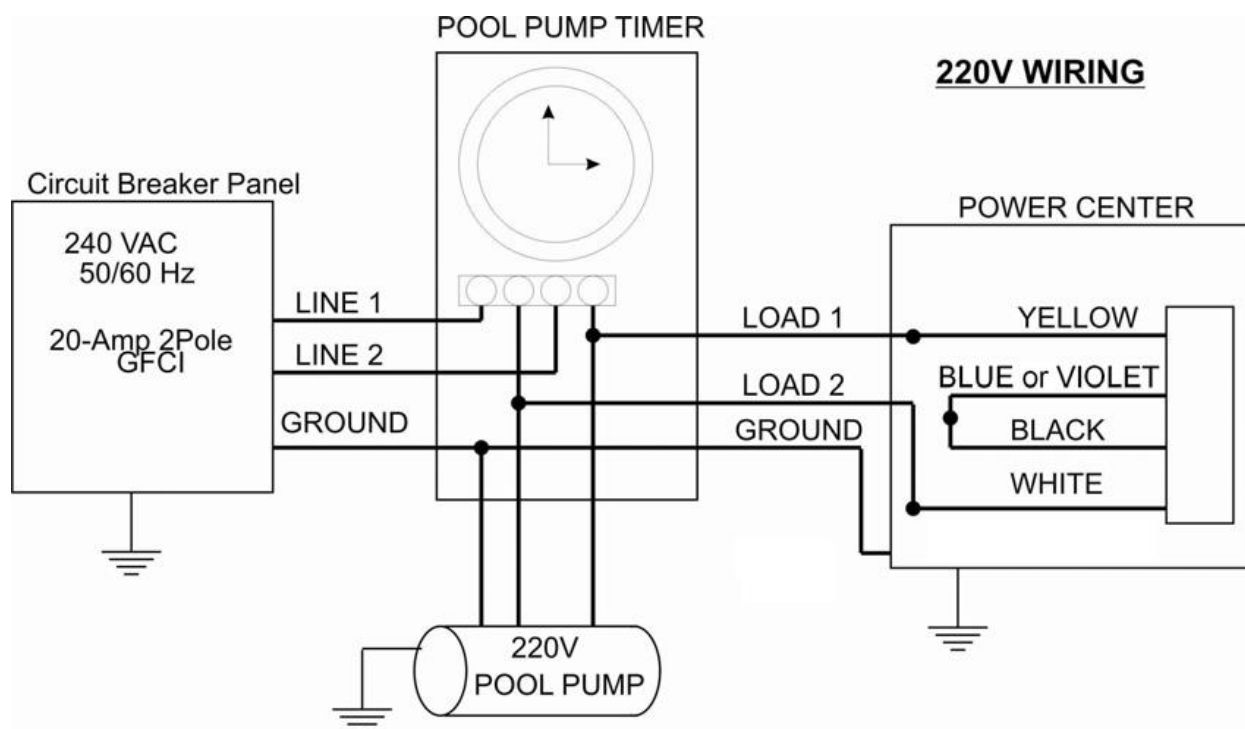
Ausgang: 28 VAC bei 5,2 Amp Max.

Wasserdurchfluss: 6 m³/h (25 GPM) - **Max. Durchfluss:** 24 m³/h (105 GPM) - **Max. Druck:** 5 Bar (75 PSI)

SC-75 AC-Verkabelungsanleitungen:

- Bei der Verwendung der SC-75-Salzelektrolysezelle und einer IntelliFlo-Pumpe (oder drehzahlgeregelten Pumpe) mit dem Pentair IntelliPool-Automatisierungssystem lesen Sie bitte das IntelliPool-Installationshandbuch - Kapitel 'Desinfektionsmittelanschluss - Alternative Salzelektrolysezelle'.

- Bei der Verwendung der SC-75-Salzelektrolysezelle mit dem 'Pentair ControlPro Filtration Manager' und einer drehzahlgeregelten Pumpe lesen Sie bitte das Installationshandbuch 'Pentair ControlPro Filtration Manager'.





Klantendienst

HERENTALS, BELGIE (8.30 u. tot 16.30 u.) CET

Website: www.pentairpooleurope.com

E-mail: poolemea@pentair.com

Conformiteitsverklaring

We verklaren, onder onze enige verantwoordelijkheid, dat het product dat geïdentificeerd is in deze verklaring en waarop deze verklaring betrekking heeft, conform de vereisten inzake bescherming van de Richtlijn 2006/42/EG van de Raad is.



De fabrikant, Pentair, heeft het recht om de producten zonder voorafgaande melding te wijzigen, voor zover hun eigenschappen hierdoor niet wezenlijk veranderd worden.

© 2015 Pentair, Inc. Alle rechten voorbehouden. Dit document kan zonder voorafgaande kennisgeving gewijzigd worden.

Handelsmerken en disclaimers: alle Pentair handelsmerken en logo's zijn eigendom van Pentair, incl. Sta-Rite™, SC-75™, Intelli-Pool®, ControlPro™, Rainbow®, Eco Select® en Pentair Aquatic Systems™ zijn handelsmerken van Pentair Inc. en/of zijn verbonden ondernemingen in de Verenigde Staten en/of andere landen. Tenzij uitdrukkelijk vermeld, worden de namen en merken van derde partijen die in dit document aan bod komen, niet gebruikt om een band tussen de eigenaars van die namen en merken en Pentair Inc. aan te geven. Die namen en merken kunnen handelsmerken of geregistreerde handelsmerken van die derde partijen zijn.

⚠ DANGER Het niet opvolgen van de instructies in deze handleiding kan ernstige ongewenste gezondheidseffecten, of zelfs ernstige of dodelijke letsels tot gevolg hebben. Wanneer de instructies in deze handleiding niet opgevolgd worden, vervallen in ieder geval alle garanties en aansprakelijkheden van de fabrikant. **DE INSTALLATEURS, OPERATORS EN EIGENAARS MOETEN DEZE WAARSCHUWINGEN EN ALLE INSTRUCTIES IN DE GEBRUIKERSHANDLEIDING LEZEN VOOR ZIJ DEZE ZWEMBADREINIGER GEBRUIKEN. DE EIGENAAR VAN DE WONING MOET DEZE WAARSCHUWINGEN EN DE GEBRUIKERSHANDLEIDING BIJHOUDEN.**

BELANGRIJKE WAARSCHUWINGEN EN VEILIGHEIDSINSTRUCTIES



Belangrijk:

⚠ WARNING Opgelet - installateur: deze gids bevat belangrijke informatie over de installatie, de bediening en het veilige gebruik van dit product. Deze informatie moet na de installatie van de zoutchlorinator aan de eigenaar en/of exploitant van deze uitrusting gegeven worden.

Opgelet - gebruiker: deze handleiding bevat belangrijke informatie om u te helpen deze zoutchlorinator te bedienen en te onderhouden. Bewaar ze zodat u ze later kunt raadplegen. Raadpleeg Pentair als u vragen hebt over deze uitrusting.

Vooraleer dit product te installeren, dient u alle waarschuwingen en instructies in de handleiding te lezen en op te volgen. Wanneer de veiligheids waarschuwingen en -instructies niet gevolgd worden, kan dat resulteren in ernstige verwondingen, de dood of materiële schade. Ga naar www.pentairpooleurope.com voor gratis bijkomende exemplaren van deze instructies.

Consumenteninformatie en veiligheid

Deze zoutchlorinator is ontworpen en gemaakt om jarenlang veilig en betrouwbaar te werken als ze geïnstalleerd, bediend en onderhouden worden zoals in deze handleiding wordt beschreven. In deze handleiding worden de veiligheids waarschuwingen en -voorzorgen aangegeven door het symbool “**⚠**”. Lees al deze waarschuwingen en voorzorgen en neem ze in acht.

⚠ WARNING Om de kansen op letsels te verminderen, mag u kinderen dit product niet laten gebruiken. Deze pomp mag alleen door een gekwalificeerde onderhoudstechnicus geïnstalleerd en onderhouden worden.

⚠ WARNING **BIJ EEN VERKEERDE BEDRADING KAN ZICH CHLOORGAS OPHOPEN:** om het gevaar voor verwondingen te beperken, moet het Powercenter van de SC-75 zoutchlorinator worden geïnstalleerd aan en bedraad naar de belastingszijde van de tijdsgestuurde elektronische schakelaar of de belastingszijde van het relais, zodat het alleen spanning ontvangt wanneer de zwembadpomp ingeschakeld is. Anders kan zich een gevaarlijke ophoping van chloorgas voordoen. De eenheid mag nooit onder spanning gebracht worden wanneer de zwembadpomp uitgeschakeld is en er geen water door de eenheid stroomt. Gebruik de SC-75 niet zonder een behoorlijk waterdebiet of een goede watercirculatie. De vorming van ontvlambare gassen kan gevaarlijke situaties tot gevolg hebben.

⚠ CAUTION De SC-75 zoutchlorinator is bedoeld om te gebruiken met permanent aangebrachte zwembaden en mag ook gebruikt worden voor hot tubs waarop dit vermeld is. Niet gebruiken met opbergbare of stalen zwembaden. Een permanent geïnstalleerd zwembad kan niet gedemonteerd worden om het op te bergen en vormt een vaste constructie in de grond, boven op de grond of in een gebouw. Een opbergbaar zwembad is zo gebouwd dat het snel gedemonteerd en opgeborgen kan worden en nadien ook weer gemonteerd kan worden.

BELANGRIJKE WAARSCHUWINGEN EN VEILIGHEIDSINSTRUCTIES - VERVOLG

⚠ WARNING Voeg bij het mengen van zuur met water **ALTIJD ZUUR TOE AAN WATER. VOEG NOOIT WATER TOE AAN ZUUR**

⚠ CAUTION Het gebruik van andere chemicaliën dan de aanbevolen producten kan gevaarlijk zijn. Zelfs het correcte gebruik van de aanbevolen chemicaliën kan gevaarlijk zijn. Volg de instructies van de chemicaliënfabrikant.

⚠ CAUTION Om het gevaar voor elektrische schokken te beperken, installeer SC-75 zoutchlorinator op minimaal 1,5 m van de binnenwand van het zwembad. Installeer de eenheid op minimaal 1 m van de verwarmingsuitgang.

⚠ WARNING Zout is een inherent corrosief materiaal. Hoewel de hoeveelheid zout, vereist voor de correcte werking van de SC-75™ zoutchlorinator, in verhouding klein is vergeleken met het zoutgehalte van zeewater en andere zoutoplossingen, verhoogt elke toevoeging van zout in uw zwembad het risico van corrosie of andere schade aan de zwembaduitrusting en aan oppervlakken die in en rond uw zwembad worden gebruikt. Metalen onderdelen (inclusief metalen zwembaden) en bepaalde natuurlijke en door de mens gemaakte materialen zijn bijzonder gevoelig voor corrosie en beschadiging wanneer zij in en rond zoutwaterzwembaden worden gebruikt. Pentair Aquatic Systems ("Pentair") waarborgt niet dat het correcte gebruik van de SC-75 zoutchlorinator corrosie of andere beschadigingen van zwembaduitrusting of van oppervlakken in en rond uw zwembad zal voorkomen. Raadpleeg uw ervaren zwembadspecialist. Hij moet u advies kunnen geven over de keuze van de juiste materialen, de installatietechnieken voor deze materialen en hun onderhoud voor uw zwembadtype en installatieplaats. Dit is belangrijk om de corrosie en beschadigingen in en rond zoutwaterzwembaden tot een minimum te beperken.

Voorwaarden beperkte garantie

Lees en begrijp alle waarschuwingen en de veiligheids- en garantie-informatie in deze handleiding voor u uw SC-75 installeert. Niet-naleving van deze instructies of verkeerde installatie van de zwembadreiniger kan beschadiging van de zwembadafwerking of van de vinylbekleding tot gevolg hebben. Pentair Aquatic Systems kan niet aansprakelijk worden gesteld als die structuren of onderdelen van het zwembad van de klant moeten worden hersteld of vervangen.

Beperkte garantie: 2 jaar.

Voor meer informatie: www.pentairpooleurope.com

Aansprakelijkheidsbeperking - Over uw zwembad en uitrusting

De levensduur van uw zwembad wordt door vele factoren bepaald.

Houd er rekening mee dat ouderdom, chemische onbalans van het zwembadwater, verkeerde installatie en andere factoren elk afzonderlijk of samen tot beschadiging, kleurverlies en broosheid van elke zwembadafwerking kunnen leiden.

Hetzelfde geldt voor verzonken zwembaden met vinylafwerking. Vinylbekledingen zijn immers ook gevoelig voor omgevingsfactoren en invloeden zoals de chemische eigenschappen van het zwembadwater, het zonlicht en de directe omgeving van het zwembad. Mettertijd kan het vinyl dus broos en slap worden. Voor met vinyl afgewerkte zwembaden zijn bovendien de materiaalkwaliteit, de samenstelling en de installatie van de bekleding en de constructiekwaliteit van de dragende wanden en de zwembadbodem belangrijke factoren. Al deze factoren kunnen bijdragen tot beschadiging van de afwerking. De fabrikant kan niet aansprakelijk worden gesteld voor herstellingen of vervanging van deze structuren of onderdelen van het zwembad van de klant.

De eigenaar van het zwembad draagt de volledige verantwoordelijkheid voor de staat en het onderhoud van het zwembadoppervlak, het water en de boord.

Neem de tijd om het serienummer te noteren voor u de SC-75 zoutchlorinator installeert. Dit nummer zal u gevraagd worden wanneer u contact opneemt met de technische ondersteuning.

SERIENUMMER _____

SC-75™ zoutchlorinator, OVERZICHT

De SC-75 zoutchlorinator gebruikt een zogeheten elektrolyseproces om chloorgas aan te maken dat onmiddellijk wordt opgelost om een ontsmettingsmiddel voor zwembaden en spa's te verkrijgen. Deze oplossing, verkregen door een lage concentratie zout toe te voegen aan het zwembadwater, bevat hypochloriet en onderchlorigzuur. Hypochloriet en onderchlorigzuur doden bacteriën, oxideren organisch materiaal en doden algen, om vervolgens opnieuw in zout te worden omgezet. De SC-75 gebruikt het zout opnieuw en het proces herhaalt zich. Het SC-75 systeem bestaat uit een cel en een Powercenter.

CAUTION De SC-75 zoutchlorinator is alleen ontworpen om chloor aan te maken. Het systeem kan het chloorgehalte in het water van het zwembad of de spa niet controleren of regelen. De eigenaar van het zwembad moet de concentratie vrij chloor controleren en het binnen het door de APSP aanbevolen bereik van 2,0 tot 4,0 delen per miljoen (ppm) houden. De eigenaar van het zwembad moet regelmatig de concentratie vrij chloor controleren terwijl de pomp draait, en indien nodig de afstelling van de SC-75 aanpassen.

WARNING Zout is een inherent corrosief materiaal. Hoewel de hoeveelheid zout, vereist voor de correcte werking van de SC-75 zoutchlorinator, in verhouding klein is vergeleken met zeewater of andere zoutoplossingen, verhoogt elke toevoeging van zout in uw zwembad het risico van corrosie of andere beschadigingen van de zwembaduitrusting en van andere oppervlakken die in en rond uw zwembad worden gebruikt. Metalen onderdelen (inclusief stalen zwembaden) en bepaalde natuurlijke en door de mens gemaakte materialen zijn bijzonder gevoelig voor corrosie en beschadiging wanneer zij in en rond zoutwaterzwembaden worden gebruikt. Pentair Aquatic Systems ("Pentair") waarborgt niet dat het correcte gebruik van een SC-75 zoutchlorinator corrosie of andere beschadigingen van zwembaduitrusting of van oppervlakken in en rond uw zwembad zal voorkomen. Raadpleeg uw ervaren zwembadspecialist. Hij moet u advies kunnen geven over de keuze van de juiste materialen, de installatietechnieken voor deze materialen en hun onderhoud voor uw zwembadtype en installatieplaats. Dit is belangrijk om de corrosie en beschadigingen in en rond zoutwaterzwembaden tot een minimum te beperken.

CAUTION VOOR ALLE NIEUW GEBOUWDE OF VAN EEN NIEUWE AFWERKLAAG VOORZIENE BEPLEISTERDE ZWEMBADEN: gebruik de SC-75 niet als het pleister nieuw gegoten of pas vernieuwd werd. Zout is een bijtende stof en kan uw zwembad ernstig beschadigen. Wacht na de bouw van het zwembad nog minimaal EEN (1) MAAND om het pleister te laten uitharden voor u zout toevoegt en de SC-75 gebruikt. Volg de richtlijnen van de fabrikant van uw zwembadoppervlak voor uw specifiek zwembad. VOOR NIEUWE ZWEMBADEN MET VINYLBEKLEDING, neem contact op met de fabrikant voor u zout toevoegt en de SC-75 gebruikt.

Onderdelen van het SC-75 systeem

Een SC-75 zoutchlorinator bestaat uit één of meer van de volgende elementen.

- **Y1146 Cell:** ontworpen voor zwembaden tot 90 m³. De cel produceert het equivalent van 0,45 kg zuiver chloor per 24 uur ononderbroken werking van de pomp.
- **SC-75P :** Powercenter. Levert spanning aan de SC-75 cel.

SC-75 zoutchlorinator, beschrijving van bedieningspaneel en cel

De SC-75 is voorzien van een bedieningspaneel met knoppen en ledlampjes om het systeem te bedienen en chloor te produceren. De SC-75 meet de watertemperatuur en het zoutpeil om de vereiste hoeveelheid chloor te produceren. Als het zoutpeil in het zwembadwater te laag is (rood op zoutdisplay), wordt de cel uitgeschakeld tot zout wordt toegevoegd aan het water. De controller heeft een zelfreinigende cyclus die de polariteit van de cel omkeert om de opeenhoping van calcium te voorkomen. Deze functie schakelt de cel regelmatig in en uit om de vorming van calcium en kalkaanslag te beperken en de levensduur van de cel te verlengen.

De SC-75 bevat de regelelektronica en de bipolaire elektroden die door een elektrisch proces chloor produceren wanneer zij bekrachtigd worden met gelijkstroom. Chloor wordt aangemaakt wanneer zouthoudend water door de cel stroomt. De chloorproductie kan geregeld worden door op het controlepaneel het ontsmettingsmiddelrendement aan te passen en/of door het aantal bedrijfsuren per dag van het systeem te wijzigen. De SC-75 keert de elektrodeplaatjes van de cel automatisch om de paar uur om ten einde de cel te helpen reinigen. Dit proces onderbreekt de chloorproductie niet. De SC-75 bevat ook een mechanische debietsensor die controleert of de juiste hoeveelheid water door de cel stroomt om chlorering te laten plaatsvinden. De SC-75 meet automatisch het zoutgehalte van het water en de temperatuur, en kan drie (3) zoutniveaus weergeven door middel van ledlampjes op het bedieningspaneel. De KECG beschikt over een 3 m lange kabel voor de aansluiting op het Powercenter.

- **Debietsensor:** een debietsensor zorgt ervoor dat altijd de juiste hoeveelheid water door de SC-75 stroomt. Als de SC-75 niet correct aangesloten is en/of niet het juiste waterdebiet ontvangt, zal geen chloor worden aangemaakt.
- **Temperatuursensor:** om de SC-75 te beschermen tegen gebruik en potentiële beschadiging wanneer de temperatuur van het zwembadwater onder 11 °C, ±1,67 °C daalt, schakelt de temperatuursensor de cel uit en gaat het lampje WATER TE KOUD branden. Er wordt dan geen chloor aangemaakt.
- **Zoutsensor:** twee (2) zoutsensoren in de SC-75 worden geactiveerd telkens wanneer de SC-75 wordt ingeschakeld en vervolgens om de 12 uur ononderbroken werking. Telkens wanneer dit gebeurt, knipperen de ledlampjes voor het zoutpeil gedurende twee (2) minuten afwisselend om aan te geven dat de SC-75 zich in de analysemodus bevindt. Na twee (2) minuten geven de ledlampjes een (1) van de drie (3) mogelijke zoutniveaus aan. Voor meer informatie, zie "Ledlampjes zoutpeil".

Opmerking: de zoutsensor leest tot +/- 500 ppm nauwkeurig.

SC-75 Powercenter

De voeding is verbonden met de stroombron van de circulatiepomp van het zwembad, zodat de SC-75 alleen kan werken wanneer de zwembadpomp ingeschakeld is. Het Powercenter moet verticaal op de wand gemonteerd worden, op maximaal drie (3) meter van de cel. Het Powercenter bevat de transformator, de zekering en de connector voor de cel. Aan de onderzijde van het Powercenter is nog een zekeringhouder gemonteerd voor extra beveiliging. Er zijn geen andere bedieningselementen of lampjes op het Powercenter. Voor informatie over de installatie en het correcte gebruik van het Powercenter, zie de "SC-75 Powercenter, Installatiehandleiding"

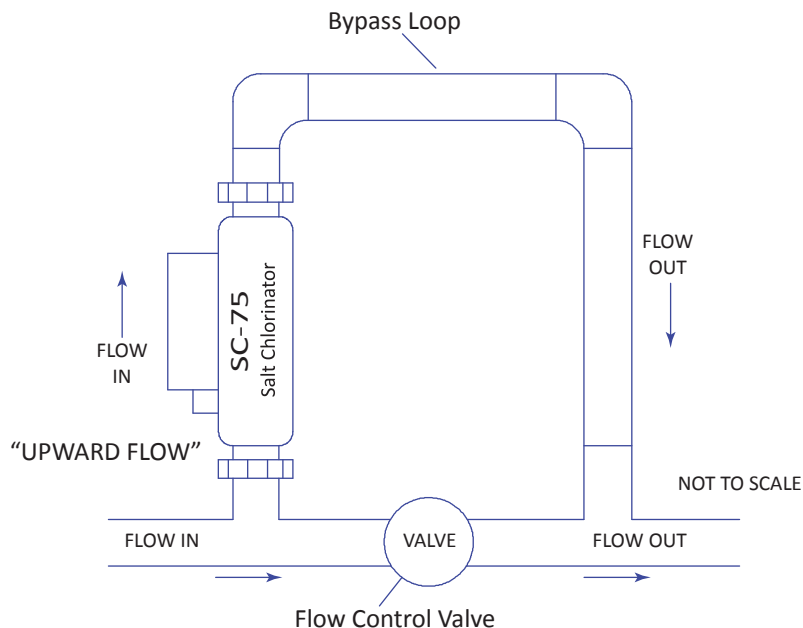
CAUTION Het SC-75 Powercenter stuurt de pomp NIET aan. De SC-75 zoutchlorinator maakt alleen chloor aan wanneer de zwembadpomp ingeschakeld is.



CAUTION Voor u de SC-75 zoutchlorinator op het Powercenter aansluit of hem ervan loskoppelt, moet u de voeding van het Powercenter uitschakelen.

Schema omloopcircuit

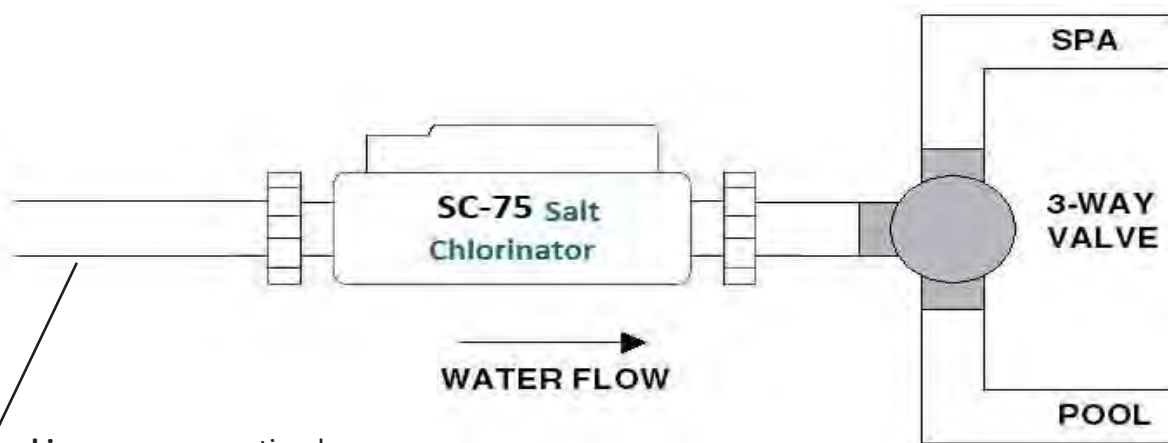
De SC-75 zoutchlorinator is ontworpen voor waterdebietwaarden van 5,7 m³/u. tot maximaal 24 m³/u. Bij debietwaarden hoger dan 18 m³/u. dient u een omloopcircuit te gebruiken voor een optimale chloorproductie (zie schema hieronder). Tot de installaties met debietwaarden hoger dan m³/u. behoren die met in de vloer geïntegreerde reinigingssystemen of drukverhogingspompen. Die systemen MOETEN voorzien zijn van een omloopcircuit voor de SC-75 met een debietregelklep die ervoor zorgt dat het debiet in de SC-75 binnen het nominale bereik blijft.



Leidingschema SC-75

De leidingen van de SC-75 zoutchlorinator installeren.

- Installeer de SC-75 zoutchlorinator altijd NA de filter en de verwarming. De SC-75 moet zich minimaal 1 m van de verwarmingsuitgang bevinden.
- Als de SC-75 op een gecombineerd systeem zwembad/spa geplaatst wordt, installeer (zie schema hieronder) de SC-75 dan VOOR de terugslagklep van zwembad/spa om zowel het zwembad als de spa correct te chloreren en gasbellen in de leidingen te voorkomen.



Opmerking: voor een optimale stroming, installeer een recht stuk buis van minimaal 30 tot 45 cm voor de celingang.

NIET OP SCHAAL

LEDLAMPJES ZOUTSTATUS

De zoutsensor van de SC-75 controleert het zwembadwater dagelijks en geeft de niveaus als volgt weer.

GROENE LED: Correct zoutpeil. Het zoutpeil in het zwembadwater bevindt zich tussen 2.800 ppm en 4.500 ppm en de SC-75 produceert chloor. SC-75 led zoutpeil moet altijd GROEN zijn voor een optimaal resultaat. Het ideale zoutgehalte is 3.400 ppm.

GROENE LED (KNIPPEREND): zoutgehalte hoger dan 4.500 ppm. Er wordt chloor geproduceerd, maar het zoutgehalte is te hoog. Dit verhoogt het risico van corrosie en beschadiging van de zwembaduitrusting en van de oppervlakken in en rond het zwembad. Het zwembad moet geleidigd en opnieuw gevuld worden in stappen van 300 mm tot het zoutpeil minder dan 4.500 ppm bedraagt.

RODE LED: zoutgehalte te laag Het zoutgehalte van het water bedraagt minder dan 2.800 ppm. De SC-75 blijft chloor produceren met een lager rendement. Het is aanbevolen zout toe te voegen (*)

KNIPPERENDE RODE LED: zoutgehalte zeer laag. Het zoutgehalte van het water is tot minder dan 2.800 ppm gedaald. De SC-75 zal geen chloor produceren tot zout wordt toegevoegd. De SC-75 is uitgeschakeld. (*)

(*) Na elke toevoeging van zout moet de pomp minimaal 24 uur draaien voor een correcte verdunning. Het zoutgehalte mag pas na de verdunningsperiode van 24 uur worden gemeten.

LEDLAMPJES STATUS

CEL: GEEFT DE STATUS VAN SC-75 WEER

KNIPPEREND GROEN: de SC-75 moet gecontroleerd worden. Er zit misschien kalkaanslag op de plaatjes. De SC-75 zal geen chloor produceren.

GROEN: SC-75 werkt goed en produceert chloor

GEEN LAMPJE: de SC-75 is uitgeschakeld en produceert geen chloor. Het systeem bevindt zich misschien in een ontsmettingscyclus en zal daarna opnieuw in werking treden.

ROOD: de SC-75 bevindt zich in de wachtmodus (systeem uitgeschakeld, geen chloorproductie) wegens het koude weer. De SC-75 zal weer chloor produceren zodra de temperatuur van het water hoger is dan 11 °C.

DEBIET: DIT LAMPJE GEEFT DE STATUS AAN VAN HET WATER DAT DOOR DE SC-75 STROOMT

ROOD: te laag waterdebiet in de SC-75, er wordt geen chloor geproduceerd.

GROEN:er stroomt voldoende water door de SC-75, er wordt chloor geproduceerd.

LEDLAMPJES RENDEMENT

De drie (3) ledlampjes geven in de vorm van een staafdiagram weer gedurende welk tijdspercentage chloor wordt geproduceerd per uur dat de pomp draait. In BOOST-modus knipperen deze leds van beneden naar boven.

Opmerking: indien geen enkele led oplicht, is het rendement ingesteld op 0% en produceert de SC-75 zoutchlorinator geen chloor.

- 0% 0 led brandt - Geen chloorproductie - SC-75 zoutchlorinator is uitgeschakeld.
- 33,3% 1 led brandt - Chloorproductie 33% van elk uur dat de pomp draait.
- 66,6% 2 leds branden - Chloorproductie 66% van elk uur dat de pomp draait.
- 100% 3 leds branden - Chloorproductie 100% van elk uur dat de pomp draait.

Knoppen "meer" en "minder"

Met de knoppen "meer" en "minder" wordt geregeld welk percentage van de tijd per uur pompwerking de SC-75 zoutchlorinator chloor produceert (zie Ledlampjes ontsmettingsmiddelrendement) hierboven. De lampjes gedragen zich als een staafdiagram: hoe meer lampjes branden, des te meer chloor wordt geproduceerd. Klap de klep van het paneel omhoog om de knoppen "meer" en "minder" en "Boost aan/uit" te zien. Houd de twee knoppen tegelijk ingedrukt om de Boost-modus af te sluiten.

Meer: verlengt de tijd gedurende dewelke de cel chloor produceert.

Minder: verkort de tijd gedurende dewelke de cel chloor produceert.

Boost aan/uit: Houd de knoppen "meer" en "minder" gelijktijdig ingedrukt om de Boost-modus in of uit te schakelen. De boost-modus stelt het ontsmettingsmiddelrendement in op 100% gedurende de volgende 24 werkingsuren van de pomp. Wanneer de tijdschakelaar de pompcyclus onderbreekt en hem de volgende dag weer start, blijft de Boost-modus ingesteld tot de pomp 24 uur heeft gedraaid sinds de Boost-modus werd ingeschakeld of tot de Boost-modus wordt uitgeschakeld door de gebruiker. De display van het ontsmettingsmiddelrendement toont een led-patroon om de Boost-modus aan te geven.

Zelfreiniging

De zelfreinigingsfunctie beperkt de vorming van aanslag op de platen van de SC-75. De zelfreinigingscyclus kan de levensduur van de SC-75 verkorten. Daarom mag hij alleen worden aangewend wanneer dat nodig is om de vorming van aanslag op de platen te beperken. Afhankelijk van de gebruiksomstandigheden van uw zwembad kan de zelfreinigingscyclus worden ingesteld om elke 3, 4, of 5 uur in werking te treden. Stel de cyclus zo in dat aanslagvorming tot een minimum beperkt is, maar de levensduur van de SC-75 maximaal blijft. Hij wordt in de fabriek op twee (2) uur ingesteld voor de eerste 30 werkingsdagen. Daarna wordt automatisch overgeschakeld op drie (3) uur. Houd de knop MINDER drie (3) seconden ingedrukt om de zelfreinigingscyclus te wijzigen. De display van het ontsmettingsmiddelrendement geeft het aantal uren aan door middel van een staafdiagram. Het aantal brandende leds voor het rendement stemt overeen met het aantal uren dat een omgekeerde osmose plaatsvindt. Door de knop "meer" of "minder" in te drukken, wordt deze instelling gewijzigd.

Chemische eigenschappen van het zwembadwater, voorwaarden en veiligheidsvoorschriften

Dit deel beschrijft de opstartprocedure en de bedieningsinstructies voor de SC-75 zoutchlorinator.

Chemische eigenschappen van het zwembadwater, voorwaarden en veiligheidsvoorschriften

1. Nieuw zwembadwater: een recent gevuld of nieuw afgewerkt zwembad kan ongewenste elementen bevatten. Die ongewenste elementen kunnen het vermogen van de SC-75 om correct te chloreren, ongunstig beïnvloeden. Laat het water door een zwembadspecialist testen en correct in balans brengen voor u de SC-75 zoutchlorinator inschakelt.

⚠ WARNING Zout is een inherent corrosief materiaal. Hoewel het vereiste zoutgehalte voor de correcte werking van de iCHLOOR chlorinator+ in verhouding klein is vergeleken met zeewater of andere zoutoplossingen, verhoogt elke toevoeging van zout in uw zwembad het risico van corrosie of andere beschadigingen van de zwembaduitrusting en van andere oppervlakken die in en rond uw zwembad worden gebruikt. Metalen onderdelen (inclusief stalen zwembaden) en bepaalde natuurlijke en door de mens gemaakte materialen zijn bijzonder gevoelig voor corrosie en beschadiging wanneer zij in en rond zoutwaterzwembaden worden gebruikt. Pentair Aquatic Systems waarborgt niet dat het correcte gebruik van de SC-75 zoutchlorinator corrosie of andere beschadigingen van zwembaduitrusting of van oppervlakken in en rond uw zwembad zal voorkomen. Raadpleeg uw ervaren zwembadspecialist. Hij moet u advies kunnen geven over de keuze van de juiste materialen, de installatietechnieken voor deze materialen en hun onderhoud voor uw zwembadtype en installatieplaats. Dit is belangrijk om de corrosie en beschadigingen in en rond zoutwaterzwembaden tot een minimum te beperken.

2. Superchloreren elimineert afvalstoffen die door de zwembadgebruikers in het water zijn gebracht en die aan chloor gebonden zijn. Hierdoor komt het chloor vrij voor desinfectie. Dit wordt bereikt door het chloorgehalte snel en aanzienlijk te verhogen. Wanneer het chloorgehalte verhoogd wordt tot tien (10) keer de hoeveelheid gebonden chloor (meestal 5 tot 10 ppm), zegt men dat het zwembadwater gesuperchloreerd is. Aangezien continu water door de SC-75 stroomt wanneer het systeem ingeschakeld is, wordt al het zwembadwater in de SC-75 gesuperchloreerd. Wanneer de SC-75 zoutchlorinator in zwembaden worden gebruikt, gaat het zwembadwater sprankelen en doet het de ogen niet branden omdat het geen chloramines bevat.

Opmerking: bij de ingebruikneming van een zwembad is het beter te superchloreren door middel van een externe bron. Gebruik een schokbehandeling die verkrijgbaar is bij de leverancier van uw zwembad.

3. Zwembadwater mag geen chloramines bevatten. Chloramines worden gevormd wanneer ammoniak (aanwezig in urine en zweet) bindt met vrij chloor. Hierdoor is minder vrij chloor beschikbaar in uw zwembad en kan het chloor in uw zwembad zijn desinfecterende taak niet vervullen. Chloramines doen ook de ogen branden en verspreiden een onaangename geur. Superchloreer om chloramines te verwijderen bij de ingebruikneming van het zwembad en vervolgens wanneer dat nodig is om het vrije chloor op een correct peil te handhaven.

4. In buitenzwembaden is cyaanuurzuur nodig om het chloor te stabiliseren en op een correct peil te houden. 90% van het niet-gestabiliseerde chloor wordt binnen twee uur vernietigd door de uv-stralen van de zon. Cyaanuurzuur stabiliseert chloor in water en beschermt het tegen uv-stralen. Bij gebruik van de SC-75 moet het cyaanuurzuurpeil op waarden tussen 30-50 ppm gehandhaafd worden. Zie Tabel 2.

OPMERKING: GEBRUIK GEEN CYANUURZUUR IN BINNENZWEMBADEN.

5. Totale opgeloste vaste stoffen (TDS): door zout aan zwembadwater toe te voegen, wordt het TDS-gehalte verhoogd. Hoewel dit de chemische eigenschappen of de helderheid van het water niet ongunstig beïnvloedt, dient u de zwembadwaterspecialist die de TDS van het water controleert, ervan op de hoogte te brengen dat zout werd toegevoegd aan het SC-75 systeem. De persoon die de TDS-test uitvoert, kan het zoutgehalte dan aftrekken om te komen tot een TDS-peil dat een correcte TDS-waarde geeft voor een zwembad met niet-zouthoudend water.

6. Metalen - Bepaalde metalen, zoals koper en ijzer, kunnen chloorverlies veroorzaken. Metalen kunnen ook vlekken afgeven op uw zwembad. Bovendien kunnen zij de SC-75 zoutchlorinator beschadigen. Laat uw zwembadspecialist uw zwembad op metalen controleren. Hij kan methoden aanbevelen om ze te verwijderen.

7. Nitraten en fosfaten kunnen de vereiste hoeveelheid chloor zeer sterk verhogen en een groot deel van het chloor uit uw zwembad halen. In bepaalde gevallen kunnen nitraten het chloorgehalte zelfs tot nul doen zakken. Uw zwembadspecialist kan het water op nitraten en fosfaten testen. Een nitraatgehalte van 0 ppm is ideaal, maar de eigenaar van het zwembad moet er in ieder geval voor zorgen dat de concentratie NIET HOGER oploopt dan 10 ppm. Het fosfaatgehalte mag niet meer dan 125 delen per miljard (ppb) bedragen.

Optimale chemische eigenschappen van het zwembadwater voor zoutwaterzwembaden (met de SC-75 zoutchlorinator)

De normen van de Association of Pool and Spa Professionals (APSP) bevelen aan permanent de volgende chemische eigenschappen van het zwembadwater te handhaven om de zwembadgebruikers, de uitrusting en de oppervlakken in en rond het zwembad te helpen beschermen. Deze waarden zijn belangrijk om de zwembaduitrusting in goede staat te houden en corrosie, kalkaanslag en andere problemen te voorkomen. De correcte werking van de SC-75 zoutchlorinator is alleen gewaarborgd als deze voorwaarden vervuld zijn. Wend u voor meer informatie tot uw lokaal agentschap, het NSPI (National Spa and Pool Institute), de CDC (Centers for Disease Control), of de WGO (Wereldgezondheidsorganisatie).

Vrij chloor:	2,0 - 4,0 ppm. Een concentratie hoger dan 4,0 ppm kan corrosie van metalen onderdelen veroorzaken.
Gebonden chloor (chloramines):	Geen (superchloreren om alle chloramines te verwijderen)
pH:	7,2 - 7,8 GEBRUIK ZOUTZUUR om de pH te verlagen en natriumcarbonaat om de pH te verhogen.)
Cyanuurzuur:	30 - 50 ppm
Totale alkaliteit:	80 - 120 ppm
Calciumhardheid:	200 - 400 ppm
TDS (inclusief zout):	3.000 ppm minimaal tot 5.700 tot 6.000 maximaal
Zout:	3.000 - 4.500 ppm (ideaal 3.400 ppm)
Metalen (koper, ijzer, mangaan):	geen
Nitraten:	geen
Fosfaten:	minder dan 125 ppb
Verzadigingsindex	-0,3 tot 0,3 nul (0) is best)

Overdekte zwembaden en zwembaden met vinylbekleding en verlaging van chloorproductie

Bij gebruik van de SC-75 zoutchlorinator in overdekte zwembaden en/of zwembaden met vinylbekleding is minder chloor nodig. Het wordt aanbevolen de chloorproductie te verlagen wanneer het zwembad overdekt is.

Chloortests

Het wordt aanbevolen monsters voor chloortests te nemen op twee (2) plaatsen in het zwembad. Vergelijk de monsters. Ter hoogte van de retourleiding van het zwembad zou de concentratie hoger moeten zijn. Het hogere gehalte ter hoogte van de retourleiding betekent dat de SC-75 chloor produceert. Neem monsters voor chloortests op de volgende plaatsen:

- De retourleiding van het zwembad;
- 450 mm onder het oppervlak en op grote afstand van de retourleiding.

Welk zouttype gebruiken?

De zuiverheid van het zout bepaalt mee de levensduur en de prestaties van de SC-75 zoutchlorinator. Gebruik zout dat minimaal 99,8% zuiver NaCl (natriumchloride) is. Ingedampt, gekorrelt, niet-jodiumhoudend voedingszout zonder additieven wordt aanbevolen. Raadpleeg uw zwembadspecialist/ zoutleverancier.

- Gebruik geen zout met antiklonteringsmiddelen (natriumferrocyanide, ook bekend als YPS of geelnatron) Vulstoffen kunnen accessoires en de oppervlakteafwerking van het zwembad doen verkleuren.
- Zouttabletten voor waterbehandeling zijn een samengeperste vorm van ingedampt zout en mogen gebruikt worden, maar ze hebben meer tijd nodig om op te lossen. Dergelijke tabellen kunnen het pleisterwerk en andere oppervlakken in en rond het zwembad beschadigen.
- Gebruik geen calcium- of kaliumchloride als zout. (Gebruik alleen natriumchloride).
- Gebruik geen steenzout (tussen het steenzout kunnen onoplosbare onzuiverheden zitten die de levensduur van de SC-75 verkorten).

Hoeveel zout gebruiken?

CAUTION VOOR ALLE NIEUW GEBOUWDE OF VAN EEN NIEUWE AFWERKLAAG VOORZIENE BEPLEISTERDE ZWEMBADEN: gebruik de SC-75 niet als het pleister nieuw gegoten of pas vernieuwd werd. Zout is een bijtende stof en kan uw zwembad ernstig beschadigen. Wacht na de bouw van het zwembad nog minimaal EEN (1) MAAND om het pleister te laten uitharden voor u zout toevoegt en de SC-75 gebruikt. Volg de richtlijnen van de fabrikant van uw zwembadoppervlak voor uw specifiek zwembad.

VOOR NIEUWE ZWEMBADEN MET VINYLBEKLEDING, neem contact op met de fabrikant voor u zout toevoegt en de SC-75 gebruikt.

Gebruik tabel 1 om te bepalen hoeveel zout moet worden toegevoegd. De meeste zwembaden bevatten een zekere hoeveelheid zout, afhankelijk van de waterbron en de gebruikte chemische ontsmettingsmiddelen. Daarom moet de zwembadeigenaar altijd het zoutgehalte testen voor hij zout toevoegt. Het zoutgehalte van het zwembadwater kan bepaald worden met een draagbare meter die geijkt is voor keuzenzout (NaCl). Wanneer de SC-75 zoutchlorinator onder spanning wordt gebracht, knipperen de leds voor het zoutgehalte gedurende twee (2) minuten van beneden naar boven terwijl het zwembadwater geanalyseerd wordt. Vervolgens geven de ledlampjes één (1) van de vier (4) mogelijke zout bereiken weer. Dit continu brandende lampje geeft de zoutstatus van het zwembad aan.

- Voor een optimale toestand van het water wordt 3.000 tot 3.500 ppm zout aanbevolen.
- Bij een te lage zoutconcentratie - minder dan 2.600 ppm - wordt het systeem uitgeschakeld.
- Een te hoge zoutconcentratie - meer dan 4.500 ppm - kan overmatige corrosie of beschadiging van zwembaduitrusting en van oppervlakken in en rond het zwembad veroorzaken.

Opmerking: de resultaten van de zoutmetingen verschillen naargelang de gebruikte meetmethode (zoutteststrips, elektronische testapparaten, titratie). De zoutsensor leest tot +/- 500 ppm nauwkeurig. Voor meer informatie over het oplossen van problemen in verband met te hoge zoutgehalten, zie "Problemen oplossen".

De verzadigingsindex berekenen

De verzadigingsindex is een formule die het verband legt tussen pH, calcium en alkaliteit in het zwembadwater. Bij goed uitgebalanceerd zwembadwater geeft de formule een resultaat tussen -0,3 en 0,3. Buiten dit bereik is het zwembadwater in onbalans. Dit kan beschadiging van de zwembaduitrusting of kalkaanslag op de SC-75 tot gevolg hebben. De SI wordt berekend door middel van de volgende vergelijking:

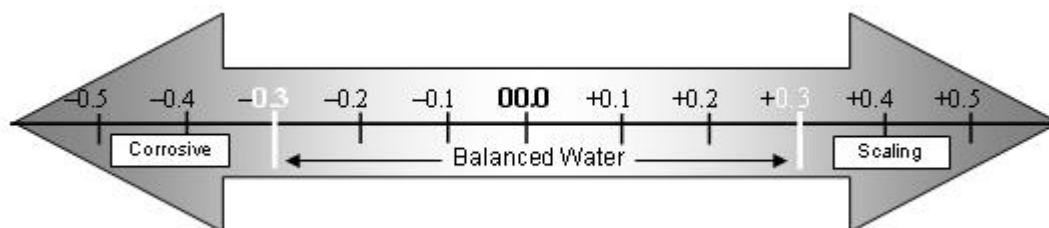
$$SI = pH + CHF + AF + TF + TDSF$$

Verzadigings-index	pH volgens test	Calcium-hardheids-factor	Alkaliteits-factor	Temperatuurfactor	TDS-Factor
--------------------	-----------------	--------------------------	--------------------	-------------------	------------

Cyanuurzuur in de vorm van cyanuraationen verhoogt de alkaliteit. Daarom moet de totale alkaliteit gecorrigeerd worden. Wij trekken 1/3 van het cyanuurzuurgehalte af van de waarde die bij de totale-alkaliteitstest werd verkregen.

Totale alkaliteit - 1/3 cyanuurzuur = gecorrigeerde alkaliteit

Deze correctie kan aanzienlijk zijn in bestaande zwembaden met hoog cyanuurzuurgehalte. Bij een cyanuurzuurgehalte van 240 ppm bedraagt de correctie bijvoorbeeld 80 ppm (240 ÷ 3 = 80).



TDS-factor (de hieronder weergegeven factoren zijn gebaseerd op de werkelijk gemeten waarde voor de betrokken parameter)

TDS	Factor
<1000	12,10
1.000	12,19
2.000	12,29
3.000	12,35
4.000	12,41
5.000	12.44

Factoren van de Langelier verzadigingsindex

Temperature			Calcium Hardness		Total Carbonate Alkalinity	
°F	°C	TF	ppm (mg/L)	CHF	ppm (mg/L)	AF
32	0.0	0.0	25	1.0	25	1.4
37	2.8	0.1	50	1.3	50	1.7
46	7.8	0.2	75	1.5	75	1.9
53	11.7	0.3	100	1.6	100	2.0
60	15.6	0.4	125	1.7	125	2.1
66	18.9	0.5	150	1.8	150	2.2
76	24.4	0.6	200	1.9	200	2.3
84	28.9	0.7	250	2.0	250	2.4
94	34.4	0.8	300	2.1	300	2.5
105	40.6	0.9	400	2.2	400	2.6
			800	2.5	800	2.9

Hoe zout toevoegen aan het zwembad?

CAUTION VOOR ALLE NIEUW GEBOUWDE OF VAN EEN NIEUWE AFWERKLAAG VOORZIENE BEPLEISTERDE ZWEMBADEN: gebruik de SC-75 niet als het pleister nieuw gegoten of pas vernieuwd werd. Zout is een bijtende stof en kan uw zwembad ernstig beschadigen. Wacht na de bouw van het zwembad nog minimaal EEN (1) MAAND om het pleister te laten uitharden voor u zout toevoegt en de SC-75 gebruikt. Volg de richtlijnen van de fabrikant van uw zwembadoppervlak voor uw specifiek zwembad.

VOOR NIEUWE ZWEMBADEN MET VINYLBEKLEDING, neem contact op met de fabrikant voor u zout toevoegt en de SC-75 gebruikt.

1. Controleer het zoutgehalte van het zwembadwater voor u zout toevoegt.
2. Bepaal de hoeveelheid zout aan de hand van de volgende tabellen.
3. Voeg het zout langzaam toe langs de hele buitenomtrek van het zwembad. Zo krijgt u een snelle en gelijkmatige verdeling.
 - a. Om verstopping van de filter of beschadiging van de zwembaduitrusting en de omliggende oppervlakken te voorkomen, mag u geen zout toevoegen via de skimmer of de druktank.
4. Veeg de zwembadbodem en laat gedurende 24 uur water circuleren om het zout volledig op te lossen.
5. Onderzoek na 24 uur of het zoutgehalte correct is door de ledlampjes op de SC-75 zoutchlorinator te controleren en door middel van een afzonderlijke betrouwbare testmethode.
6. Breng de SC-75 zoutchlorinator onder spanning en stel het ontsmettingsmiddelrendement op de correcte waarde in om het gehalte aan vrij chloor op peil te houden (binnen het door de APSP aanbevolen bereik van 2,0 tot 4,0 ppm).

Vorbereiding van het zwembadwater

De grootte van het zwembad bepalen (liters water in uw zwembad)

- **Rechthoekige zwembaden:** lengte x breedte (meter) x gemiddelde diepte x 1.000
- **Cirkelvormige zwembaden:** diameter x diameter x gemiddelde diepte x 785
- **Ovale zwembaden:** lengte x breedte (meter) x gemiddelde diepte x 1.000
- **Hellende zijden:** vermenigvuldig het totale aantal liters met 0,85 = liter capaciteit.

CAUTION Gebruik nooit droog zuur (natriumbisulfaat) om de pH aan te passen in droge geografische gebieden waar veel verdamping en een minimale verdunning met vers water plaatsvinden. Een ophoping van bijproducten kan de SC-75 beschadigen.

TABEL 1. Geschatte hoeveelheid zout in pond (lbs) / kilogram (kg), nodig om 3.400 ppm te verkrijgen in zwembad

CHART FOR ADDITION OF SALT TO 3400														
Pool Litres		0 ppm	250 ppm	500 ppm	750 ppm	1000 ppm	1250 ppm	1500 ppm	1750 ppm	2000 ppm	2250 ppm	2500 ppm	2800 ppm	3000 ppm
37,800	lbs	284.00	263.12	242.24	221.35	200.47	179.59	158.71	137.82	116.94	96.06	75.18	50.12	33.1
	kg	128.82	119.35	109.88	100.41	90.93	81.46	71.99	62.52	53.04	43.57	34.10	22.73	15.16
45,400	lbs	340.80	315.74	290.68	265.62	240.56	215.51	190.45	165.39	140.33	115.27	90.21	60.14	40.09
	kg	154.59	143.22	131.85	120.49	109.12	97.75	86.39	75.02	63.65	52.29	40.92	27.28	18.19
53,000	lbs	397.60	368.36	339.13	309.89	280.66	251.42	222.19	192.95	163.72	134.48	105.25	70.16	46.78
	kg	180.35	167.09	153.83	140.57	127.31	114.05	100.78	87.52	74.26	61.00	47.74	31.83	21.22
60,600	lbs	454.40	420.99	387.58	354.16	320.75	287.34	253.93	220.52	187.11	153.69	120.28	80.19	53.46
	kg	206.12	190.96	175.80	160.65	145.49	130.34	115.18	100.03	84.87	69.72	54.56	36.37	24.25
68,100	lbs	511.20	473.61	436.02	398.44	360.85	323.26	285.67	248.08	210.49	172.91	135.32	90.21	60.14
	kg	231.88	214.83	197.78	180.73	163.68	146.63	129.58	112.53	95.48	78.43	61.38	40.92	27.28
75,700	lbs	568.00	526.24	484.47	442.71	400.94	359.18	317.41	275.65	233.88	192.12	150.35	100.24	66.82
	kg	257.64	238.70	219.76	200.81	181.87	162.92	143.98	125.03	106.09	87.14	68.20	45.47	30.31
83,300	lbs	568.00	526.24	484.47	442.71	400.94	359.18	317.41	275.65	233.88	192.12	150.35	100.24	66.82
	kg	257.64	238.70	219.76	200.81	181.87	162.92	143.98	125.03	106.09	87.14	68.20	45.47	30.31
90,900	lbs	681.60	631.48	581.36	531.25	481.13	431.01	380.89	330.78	280.66	230.54	180.42	120.28	80.19
	kg	309.17	286.44	263.71	240.97	218.24	195.51	172.77	150.04	127.31	104.57	81.84	54.56	36.37
106,000	lbs	795.20	736.73	678.26	619.79	561.32	502.85	444.38	385.91	327.44	268.96	210.49	140.33	93.55
	kg	360.70	334.18	307.66	281.14	254.61	228.09	201.57	175.05	148.52	122.00	95.48	63.65	42.44
113,600	lbs	852.00	789.35	726.71	664.06	601.41	538.76	476.12	413.47	350.82	288.18	225.53	150.35	100.24
	kg	386.47	358.05	329.63	301.22	272.80	244.38	215.97	187.55	159.13	130.72	102.30	68.20	45.47

TABEL 2. Geschatte hoeveelheid stabilisator (cyanuurzuur), nodig om 40 ppm te verkrijgen in zwembad

Current Cyanuric Acid Level - ppm	10,000 g (38,000 L)	12,000 g (45,425 L)	14,000 g (53,000 L)	16,000 g (60,600 L)	18,000 g (68,137 L)	20,000 g (76,000 L)	22,000 g (83,300 L)	24,000 g (90,850 L)	26,000 g (98,421 L)	28,000 g (106,000 L)	30,000 g (134,000 L)
0	3.25 (1.47 kg)	3.90 (1.77 kg)	4.55 (2.6 kg)	5.20 (2.36 kg)	5.85 (2.65 kg)	6.50 (2.94 kg)	7.15 (3.24 kg)	7.80 (3.53 kg)	8.45 (3.83 kg)	9.10 (4.12 kg)	9.75 (4.42 kg)
10	2.43 (1.10 kg)	2.92 (1.32 kg)	3.40 (1.54 kg)	3.89 (1.76 kg)	4.37 (1.98 kg)	4.86 (2.20 kg)	5.35 (2.42 kg)	5.83 (2.64 kg)	6.32 (2.86 kg)	6.80 (3.08 kg)	7.29 (3.30 kg)
20	1.62 (0.73 kg)	1.94 (0.88 kg)	2.27 (1.03 kg)	2.59 (1.17 kg)	2.92 (1.32 kg)	3.24 (1.47 kg)	3.56 (1.61 kg)	3.89 (1.76 kg)	4.21 (1.91 kg)	4.54 (2.05 kg)	4.86 (2.20 kg)

OPMERKING: De waarde voor cyanuurzuur moet op 30 - 50 ppm gehandhaafd worden.

Deel 3

Bediening van de SC-75™ zoutchlorinator

Dit deel beschrijft de opstartprocedure en de bedieningsinstructies voor de SC-75 zoutchlorinator.

Voor de ingebruikneming van de SC-75 moet het zwembad minimaal één (1) maand vooraf (voor bepleisterde zwembaden) afgewerkt en met water gevuld zijn en moet het zoutgehalte van het zwembadwater stabiel zijn en gehandhaafd worden op 3.300 tot 3.600 ppm.

Eerste ingebruikneming

Voor de eerste dertig (30) werkdagen van de cel is de zelfreinigingscyclus in de fabriek afgesteld op twee (2) uur. Na dertig (30) dagen schakelt de SC-75 het interval voor de zelfreinigingscyclus automatisch in op drie (3) uur. Deze functie reinigt de platen van de SC-75 met een hogere frequentie na de eerste installatie en schakelt vervolgens op een standaardinterval over om de levensduur van de platen te verlengen.

Bediening

Een externe controller voor de zwembadpomp is niet vereist.

De SC-75 levert een voldoende hoeveelheid chloor af om het zwembadwater dagelijks te desinfecteren. Als de zwembadpomp continu draait en de SC-75 24 uur per dag op volle capaciteit werkt, zal meer chloor worden aangemaakt dan nodig is voor de meeste zwembaden (2-4 ppm volgens de aanbevelingen van de APSP). De SC-75 heeft zijn eigen interne controller die de elektrolytische cel in- en uitschakelt, rekening houdend met de instelling van het ontsmettingsmiddelrendement.

⚠ CAUTION De SC-75 zoutchlorinator is alleen ontworpen om chloor aan te maken. De SC-75 kan het chloorgehalte in het water van het zwembad of de spa niet controleren of regelen. De eigenaar van het zwembad moet de concentratie vrij chloor controleren en binnen het door de APSP aanbevolen bereik van 2,0 tot 4,0 delen per miljoen (ppm) houden. De eigenaar van het zwembad moet regelmatig de concentratie vrij chloor controleren terwijl de pomp draait, en indien nodig het ontsmettingsmiddelrendement van de SC-75 aanpassen.

⚠ CAUTION Voor u probeert SC-75 te gebruiken, lees "Algemene aanbevelingen en algemene waarschuwingen" aan het einde van dit deel en "Voorbereiding van het zwembadwater" in het vorige deel. Stel bovendien het ontsmettingsmiddelrendement niet hoger in dan 20% tot u zeker weet dat zout werd opgelost in uw zwembadwater. Bij gebruik zonder zout wordt het systeem uitgeschakeld en licht het lampje ZOUT TOEVOEGEN op de zoutdisplay op. Zolang geen zout aan het zwembadwater is toegevoegd, wordt geen chloor aangemaakt.

Als u een controller voor de zwembadpomp gebruikt

De Association of Pool and Spa Professionals (APSP) beveelt aan om al het water in een privézwembad minimaal om de 24 uur door het filtersysteem te laten stromen (dit wordt waterverversing genoemd). De werkelijke cyclustijden van het pomp- en filtersysteem wordt echter door tal van factoren beïnvloed. De grootte van het zwembad, de waterbron, rechtstreeks zonlicht, binnen/buiten, afgedekt/niet afgedekt, filtersysteem, koud of warm weer, aantal zwemmers, regen, organisch afval, algen enz.: al deze factoren maken dat de pomp- en filtersystemen vaker of minder vaak in werking treden. Wegens die verschillen is het ontzettend moeilijk een vaste initiële cyclustijd (startpunt) voor het pomp- en het chloorsysteem van het zwembad te bepalen.

Probeer de controller van de zwembadpomp de eerste keer op twaalf (12) uur in te stellen. Pas na enkele dagen zult u de correcte werkingstijd van de zwembadpomp vinden. Wanneer SC-75 met een kabel op een zwembadpompcontroller aangesloten is, zullen de resultaten sterk verschillen naargelang de zwembadinstallatie. Bespreek dit met uw zwembadspecialist. De belangrijkste punten zijn:

- laat de pomp op zijn minst draaien gedurende de minimale tijd die nodig is voor een goede filtratie en een doeltreffende chloorproductie door de SC-75. Volg hierbij de aanbevelingen van uw zwembadspecialist;
- pompcontrollers kunnen het energieverbruik verlagen, maar de zwembadpomp moet ingeschakeld zijn om chloor af te leveren via de SC-75 zoutchlorinator en moet lang genoeg draaien om een correct chloorgehalte (namelijk 2,0-4,0 ppm vrij chloor) te handhaven.

Opmerking: uitzondering - voor gebruik bij koud weer: het systeem wordt uitgeschakeld wanneer de watertemperatuur minder dan 12 °C bedraagt, en produceert dan geen chloor. Deze functie verlengt de levensduur van de cel.

Opstartprocedure (superchlorering)

Superchlorering wordt aanbevolen voor de ingebruikneming van het zwembad. Begin meteen met proper, correct gechloreerd zwembadwater. De SC-75 zal in enkele uren een voldoende hoog chloorgehalte opbouwen voor ontsmetting. Als de chloorbehoefte echter vanaf de ingebruikneming al hoog is, zal de SC-75 niet voldoende chloor kunnen aanmaken om het vereiste chloorgehalte van het zwembadwater te bereiken. Daarom is het raadzaam om bij de ingebruikneming van het zwembad te superchloreren met een externe bron. Wacht vervolgens om de SC-75 in te schakelen tot het chloorpeil opnieuw tot 2,0 tot 4,0 ppm gedaald is.

Instellingen en aanpassingen ontsmettingsmiddelrendement

- Zet de zwembadpomp aan met de schakelaar of de controller. De twee leds van de zoutdisplay knipperen (van beneden naar boven) gedurende twee (2) minuten om aan te geven dat het zoutgehalte nog niet gecontroleerd is. Na twee (2) minuten wordt het zoutgehalte gecontroleerd en wordt één (1) van de leds voor het zoutgehalte weergegeven. Bij een zoutgehalte lager dan 2.600 ppm brandt de rode led "ZOUTGEHALTE TE LAAG" en dooft het lampje "CEL" uit, wat betekent dat er niet voldoende zout in het zwembadwater is om chloor aan te maken.
- Stel het ontsmettingsmiddelrendement in op "MED" door de knop MEER of MINDER in te drukken.
- Controleer na 24 uur met een betrouwbare testmethode of het zwembadwater vrij chloor bevat. Het te handhaven ideale bereik is 2,0-4,0 ppm. Als de concentratie vrij chloor in het water te laag is, verhoog dan de chloorproductie door de knop MEER in te drukken. Als de concentratie vrij chloor in het water te hoog is, verlaag dan de chloorproductie door de knop MINDER in te drukken.
- Wegens de veranderlijke behoefte aan vrij chloor in het zwembadwater kan het enkele dagen duren voor u het dagelijks aantal gebruiksuren van het zwembad en het correcte "Ontsmettingsmiddelrendement" hebt gevonden. Blijf indien nodig de instelling aanpassen, met een interval van 24 uur tussen twee aanpassingen, tot de concentratie vrij chloor in het zwembadwater gestabiliseerd is op 2,0 - 4,0 ppm, het bereik dat wordt aanbevolen door de APSP.

Gebruik in de winter

Bij watertemperaturen lager dan 12 °C wordt de SC-75 zoutchlorinator uitgeschakeld en produceert hij geen chloor. Deze functie verlengt de levensduur van de SC-75. Zie "Overwintering"

Algemene aanbevelingen

- Lees deze Installatie- en gebruikershandleiding en bewaar ze op een veilige plaats.
 - Verhoog indien nodig het ontsmettingsmiddelrendement na zware regenval (buitenzwembaden) en schakel vervolgens opnieuw over op de normale instelling.
 - Verhoog het ontsmettingsmiddelrendement wanneer de lucht- en de watertemperatuur stijgen.
 - Verhoog het ontsmettingsmiddelrendement wanneer het aantal zwembadgebruikers toeneemt.
 - Gebruik cyanuurzuur ALLEEN wanneer dat nodig is om het chloorgehalte van het water in buitenzwembaden te stabiliseren.
- OPMERKING: GEBRUIK GEEN CYANUURZUUR IN BINNENZWEMBADEN.**
- Breng maandelijks een monster van het zwembadwater naar een zwembadspecialist voor een volledige analyse.

Algemene veiligheidsvoorschriften

- Zorg ervoor dat er geen meststoffen in uw zwembad kunnen belanden. Meststoffen bevatten nitraten, die de chloorbehoefte fors doen stijgen.
- Gebruik nooit droog zuur om de pH aan te passen in droge geografische gebieden waar veel verdamping en een minimale verdunning met vers water plaatsvindt. Een ophoping van bijproducten kan de SC-75 beschadigen.
- Voeg nooit chemische producten (inclusief zout) voor het uitbalanceren van het zwembadwater toe zolang de SC-75 ingeschakeld is.
- Laat de cyanuurzuurconcentratie nooit onder 30 ppm dalen in buitenzwembaden.

OPMERKING: GEBRUIK GEEN CYANUURZUUR IN BINNENZWEMBADEN.

Deel 4

Onderhoud door de gebruiker

Dit deel beschrijft hoe de SC-75 zoutchlorinator moet worden onderhouden.

Dagelijks onderhoud

Geen

Wekelijks onderhoud

1. pH-test: test de pH van uw zwembadwater volgens een betrouwbare testmethode. Pas de pH indien nodig aan, rekening houdend met de aanbevelingen van uw zwembadspecialist. Het door de APSP aanbevolen ideale bereik voor de pH is 7,4 tot 7,6, al is 7,2 tot 7,8 aanvaardbaar volgens de richtlijnen van de APSP.

Opmerking: gebruik nooit droog zuur (natriumbisulfaat) om de pH aan te passen in droge geografische gebieden waar veel verdamping en een minimale verdunning met vers water plaatsvinden. Een ophoping van bijproducten kan de SC-75 beschadigen.

2. Totale-alkaliteitstest: test de totale alkaliteit van het zwembadwater volgens een betrouwbare testmethode. Pas de pH aan, rekening houdend met de aanbevelingen van uw zwembadspecialist. Het door de APSP aanbevolen ideale bereik voor de totale alkaliteit is 80 tot 120 ppm.

3. Chloortest: test het gehalte aan vrij chloor volgens een betrouwbare testmethode. Houd het gehalte in het ideale bereik door de instelling van het ontsmettingsmiddelrendement van de SC-75 zoutchlorinator aan te passen. Zie "knoppen MEER en MINDER"

- a. De APSP beveelt een concentratie vrij chloor van 2,0-4,0 ppm aan.
- b. Een concentratie vrij chloor hoger dan 4,0 ppm kan overmatige corrosie van metalen onderdelen veroorzaken en mogelijk zwembaduitrusting beschadigen.
- c. Het wordt aanbevolen het gehalte aan vrij chloor te bepalen op basis van watermonsters die op twee (2) plaatsen in het zwembad genomen zijn, één ter hoogte van de retourleiding en het andere op grote afstand van de retourleiding. Vergelijk de testresultaten. Ter hoogte van de retourleiding van het zwembad zou de concentratie vrij chloor hoger moeten zijn. Het hogere gehalte vrij chloor ter hoogte van de retourleiding betekent dat de SC-75 zoutchlorinator chloor produceert.

Maandelijks onderhoud

Om uw zwembadwater chemisch in balans te houden, is het belangrijk dat maandelijks de volgende zout- en zwembadwatertests worden uitgevoerd volgens een betrouwbare testmethode.

1. Test van het zoutgehalte: controleer de lampjes van de zoutdisplay op het apparaat en controleer of het groene lampje "GOED" continu brandt (dus niet knippert).

- a. Als de rode LED "TE LAAG" brandt. Voeg zout toe aan het zwembadwater.
- b. Zie "Problemen oplossen" als het zoutgehalte niet stijgt na uur.

2. Watermonster: breng een monster van het zwembadwater voor analyse naar uw zwembadspecialist.

3. Cyanuurzuur: neem een monster van het zwembadwater en test volgens een betrouwbare methode het cyanuurzuurgehalte. Bij gebruik van de SC-75 zoutchlorinator is het aanbevolen ideale cyanuurzuurgehalte 30-50 ppm.

4. Calciumhardheid: test volgens een betrouwbare methode de calciumhardheid van het zwembadwater. Pas de pH indien nodig aan, rekening houdend met de aanbevelingen van uw zwembadspecialist. Het door de APSP aanbevolen ideale bereik voor calcium in zwembaden is 200 tot 400 ppm.

5. Test op metalen: het wordt aanbevolen regelmatig watermonsters te laten nemen en analyseren om metalen zoals koper, ijzer en mangaan op te sporen. Die metalen kunnen de SC-75 zoutchlorinator en andere zwembaduitrusting beschadigen en horen niet aanwezig te zijn in het zwembadwater. Neem contact op met uw zwembadspecialist als deze metalen aanwezig zijn.

6. TDS (totale opgeloste vaste stoffen): test de TDS van het zwembadwater met een testkit of door een watermonster te laten analyseren door een zwembadspecialist. Pas de pH indien nodig aan, rekening houdend met de aanbevelingen van uw zwembadspecialist. De APSP-norm van minimaal 3.000 ppm tot maximaal 5.700 - 6.000 ppm (inclusief het zout) wordt aanbevolen voor zoutwaterzwembaden.

SC-75™ zoutchlorinator, bedrijfsurenteller

De SC-75 beschikt over een geïntegreerde bedrijfsurenteller die aangeeft hoeveel uren de SC-75 heeft gewerkt.

Om de systeemstatusmodus te selecteren:

1. houd de knop MORE drie (3) seconden ingedrukt tot de lampjes op het apparaat afwisselend oplichten.
2. Een (1) van de drie (3) leds voor het ontsmettingsmiddelrendement (Laag, Med, Hoog) brandt om het aantal bedrijfsuren aan te geven. Het resultaat moet als volgt worden geïnterpreteerd:
 - 2.000 bedrijfsuren (led LAAG brandt)
 - 4.000 bedrijfsuren (led MED brandt)
 - 6.000 bedrijfsuren (led HOOG brandt)

De platen van de SC-75 cel reinigen

Opmerking: verwijder voor de reiniging met zuur het calcium dat zich in de cel heeft opgehoopt. Gebruik een tuinslang met sproeikop en sprei rechtstreeks in de twee uiteinden van de cel. Het merendeel van de calciumafzettingen is dikvloeibaar en zal uit de cel geblazen worden. Wanneer het calcium grotendeels verwijderd is, kunt u doorgaan met de reiniging met zuur, die efficiënter zal zijn omdat het merendeel van het calcium al verwijderd is.

1. Automatische reiniging: de SC-75 beschikt over een automatische reinigingsfunctie voor de celplaten (cell reversing) die helpt kalkaanslag van de SC-75 platen te verwijderen. **Opmerking:** de automatische reiniging onderbreekt de chloorproductie niet. "Kalkaanslag" is een korstachtige witte afzetting die gevormd wordt in te hard water of in zwembadwater dat in onbalans is. Als de SC-75 platen te veel kalkaanslag vertonen, moet u een reiniging met zuur uitvoeren. Ga naar "Reiniging met zuur", stap 2.

2. Wassen met zuur: als de SC-75 vaak kalkaanslag vertoont, wordt aanbevolen de SC-75 om de twee maanden weg te nemen en hem te controleren op aanslagvorming en/of vuildeeltjes op de platen. Zones met hoge hardheid moeten mogelijk vaker worden gereinigd. Bepaalde filters laten vuildeeltjes door zodat die de SC-75 bereiken en zich tussen de platen kunnen nestelen. Een kleine hoeveelheid kalkaanslag is normaal. Als u door de SC-75 kijkt en overmatige aanslagvorming of ophoping van vuildeeltjes tussen de platen vaststelt, moet de SC-75 als volgt worden gereinigd.

Gebruik een tuinslang met hogedruksproeikop. Als de platen op die manier niet doeltreffend kunnen worden gereinigd, is reiniging met zuur nodig.

OM DE PLATEN VAN DE SC-75™ MET ZUUR TE REINIGEN:

1. koppel de stroomtoevoer vanaf het Powercenter los. Trek de communicatiekabel van de SC-75 zoutchlorinator uit het Powercenter.
2. Meng één (1) deel zuur met één (1) deel leidingwater in een kunststof emmer.
3. Dompel de platen in deze oplossing onder. Zorg ervoor dat het controlepaneel of kabels niet in contact komen met de oplossing.
4. Laat de zuuroplossing borrelen en de platen reinigen.

Het zuur moet aan de binnenzijde van de SC-75 blijven en de platen bedekken. Probeer geen zuur op de buitenzijde van de SC-75 te morsen. Als zuur op de buitenzijde van de SC-75 spat, spoel het dan weg met water. De zuuroplossing gaat schuimen wanneer kalkaanslag (calciumcarbonaat) op de platen wordt opgelost. Als de zuuroplossing niet sterk begint te schuimen, hoeven de platen niet te worden gereinigd (STOP HET REINIGINGSPROCES - ga naar de volgende stap). In het andere geval laat u de platen in de oplossing ondergedompeld tot het schuimen stopt. Laat echter geen zuur langer dan dertig (30) minuten in de SC-75 staan. Te veel reinigen met zuur beschadigt de platen.

5. Haal de SC-75 uit de emmer en plaats hem in een lege emmer van 20 liter. Spoel de SC-75 grondig aan binnen- en buitenzijde met proper leidingwater en controleer. Herhaal het reinigingsproces met zuur als u nog aanslag ziet.
6. Spoel de SC-75 opnieuw met proper leidingwater en controleer. Wanneer de SC-75 proper is, plaats hem terug en gebruik hem opnieuw op de gewone manier.
7. Als de reinigingsprocedure met zuur noodzakelijk is, wordt aanbevolen een monster van het zwembadwater door een zwembadspecialist te laten controleren op te hoge calciumhardheid (het ideale bereik is tot ppm) en/of een verkeerde waterbalans.
8. Controleer de binnenzijde van de SC-75 om de twee (2) maanden (of vaker in gebieden waar het water een hoge hardheid heeft). Als u na vier (4) maanden geen kalkaanslag of vuilafzettingen in de SC-75 ziet, hoeft u de controles om de twee (2) maanden niet meer uit te voeren. Omdat de chemische eigenschappen van het zwembadwater en de doeltreffendheid van het filtersysteem kunnen veranderen, wordt evenwel aanbevolen de cel minimaal twee keer per jaar uit het zwembad te halen voor controle.
9. Sluit de stekker van de communicatiekabel van de SC-75 opnieuw aan op het Powercenter en sluit vervolgens de voedingskabel aan op het Powercenter.

Overwintering

In koud water moet slechts een zeer kleine hoeveelheid chloor geproduceerd worden, zolang de concentratie vrij chloor maar binnen het bereik van 2,0 - 4,0 ppm blijft. Bij temperaturen lager dan 12 °C produceert de SC-75 zoutchlorinator geen chloor. Deze uitschakeling bij lage temperatuur verlengt de levensduur van de cel. Zonder preventieve maatregelen kan bevrozend water de cel ernstig beschadigen. Voorkom vorstschade aan de cel door de zwembadpomp continu te laten draaien of het zwembad te laten overwinteren. Dit doet u door het water af te laten uit de pomp, de filter en alle toevoer- en retourleidingen. Haal de cel uit het zwembad, reinig ze en berg ze op.

Installatie

Dit deel beschrijft hoe de SC-75 zoutchlorinator in het leidingsysteem van het zwembad moet worden geïnstalleerd. Onderzoek voor de installatie de inhoud van de SC-75 kit en het vereiste gereedschap.

Opmerking: Voor de installatie van het Powercenter, zie de "Installatiegids van het SC-75 Powercenter"

Opmerking: zout wordt niet meegeleverd. Voor details over het te gebruiken type zout, zie "Welk zouttype gebruiken".

Vereist gereedschap

- Meetlint
- Kruisschroevendraaier en platkopschroevendraaier
- Buigtang en ijzerzaag
- Een NSF®-goedgekeurde universele reinigingsprimer voor PVC/CPVC/ABS
- Een NSF®-goedgekeurde universele cement voor PVC/CPVC/ABS



WARNING Wanneer u elektrische producten gebruikt, moet u altijd de elementaire veiligheidsmaatregelen volgen, waaronder:



GEVAAR: GEVAAR VOOR ELEKTRISCHE SCHOKKEN DIE ERNSTIGE VERWONDINGEN OF DE DOOD TOT GEVOLG KUNNEN HEBBEN.

Voor u aan installatie of onderhoud begint, zorg ervoor dat elke stroomtoevoer naar het voedingscircuit van het systeem onderbroken/uitgeschakeld is door middel van de beveiligingsschakelaar. Het wordt aanbevolen het SC-75 Powercenter aan te sluiten op een circuit dat beveiligd is met een verliesstroomschakelaar (GFCI).

- Een aarding is vereist. Het apparaat moet geïnstalleerd worden door een hiertoe opgeleide technicus en dient geaard te worden.
- Installeer het apparaat zo dat de knoppen van de cel en het Powercenter bereikbaar zijn.
- Lees de veiligheidsvoorschriften en de belangrijke instructies. Lees en volg de Veiligheidsinstructies voor u probeert elektrische draden aan te sluiten. De bedrading mag alleen worden uitgevoerd door een hiertoe opgeleide specialist.
- Installeer de SC-75 op minimaal 1 meter van de verwarmingsuitgang.
- Pijpkoppelingen: schema 80, maximumdruk 5 bar (75 psi) bij 21 °C - pvc-buis 50 mm
- Laat het apparaat werken met een minimumdebiet van 6 m³/u. Gebruik in toepassingen met hoog debiet een bypass om de debietmeting te optimaliseren.
- Installeer een rechte buis van minimaal 300 tot 450 mm voor de celingang.

Installatie van de SC-75 celgroep

Installeer de SC-75 celgroep op minimaal 900 mm afstand van de eventuele verwarmingsuitgang.

Opmerking: Voor een optimale debietmeting, installeer een rechte buis van minimaal 300 tot 450 mm voor de celingang.

Opmerking: pijpkoppelingen: schema 80, maximumdruk 5 bar (75 psi) bij 21 °C

Om de SC-75 cel te installeren:

1. bevestig de pvc-koppelingen met pvc-lijm aan de leidingbuis. Laat de lijm drogen.
2. Monteer de cel zo dat u het bedieningspaneel kunt bereiken. Installeer de cel op de koppelingen.
3. Zorg ervoor dat de O-ringen correct aangebracht zijn.
4. Schakel de pomp in en controleer visueel op lekken rond de koppelingen.

De voedingskabel van de cel aansluiten op het Powercenter.

Wanneer de cel geïnstalleerd is, sluit de voedingskabel aan op het Powercenter.



WARNING Schakel de stroomvoeding van het Powercenter UIT voor u gelijk welke aansluiting maakt.

1. Controleer of de AC-stroom uitgeschakeld is voor u de stroomkabel aansluit op het Powercenter.
2. Breng de vier (2) pinnen van de stekker op de netkabel van de cel tegenover de openingen in het stopcontact aan de onderzijde van het Powercenter en steek de stekker in. Verdraai de moer van het stopcontact tot ze de stekker op zijn plaats vergrendelt.



Stekker Stopcontact Moer

Naar celgroep

Problemen oplossen

Gebruik de volgende informatie voor het oplossen van problemen om mogelijke problemen met de SC-75 zoutchlorinator op te lossen.

Opmerking: schakel de stroomtoevoer naar het apparaat uit voor u probeert onderhoud of herstellingen uit te voeren. Schakel altijd de stroomtoevoer naar het Powercenter uit wanneer u de SC-75 cel aansluit op of loskoppelt van het Powercenter.

Probleem	Mogelijke oorzaak	Maatregel
Weinig of geen chloor	Lage concentratie stabilisator (cyanuurzuur) in zwembadwater (alleen buitenzwembaden).	In buitenzwembaden voldoende cyanuurzuur toevoegen om een concentratie van 30 - 50 ppm te handhaven, overeenkomstig de aanbevelingen van de zwembadspecialist. Zie tabel stabilisator.
	Onvoldoende bedrijfsuren van de SC-75.	Het aantal bedrijfsuren per dag van de SC-75 verhogen.
	Ontsmettingsmiddelrendement te laag of 0%.	Ontsmettingsmiddelrendement verhogen door knop MEER in te drukken.
	Recente stijgingen van de buitentemperatuur zonder het ontsmettingsmiddelrendement van de SC-75 te verhogen.	Ontsmettingsmiddelrendement verhogen door knop MEER in te drukken.
	Tijdelijk chloorverlies door hoog gehalte aan organisch materiaal, regen, bladeren, meststoffen, groot aantal zwembadgebruikers, recent feestje of dieren in het zwembad.	Boost-modus selecteren en 24 uur laten werken. Opnieuw controleren. Indien nog steeds te laag: superchloreren met een externe bron. watermonster naar zwembadtechnicus brengen).
	Te weinig (minder dan 2.600 ppm) zout in het zwembadwater, dus geen chloorproductie meer.	Lampjes zoutdisplay controleren. Zie "Zoutpeil" Statusleds
	Hoog nitraat- en fosfaatgehalte	Contact opnemen met zwembadtechnicus
	Zwembadwater bevat metalen	Contact opnemen met zwembadtechnicus
	Nieuw zwembadwater of geen correcte schokbehandeling bij ingebruikneming	Zwembad superchloreren. Zie "Opstartprocedure (superchlorering)"
	Cel vuil of verstopt.	Cel verwijderen voor controle. Indien nodig reinigen.
Rode led ZOUT brandt.	Zout nodig in zwembadwater. Er wordt geen chloor aangemaakt.	Zout toevoegen om gehalte op 3.400 ppm te brengen.
Gele led ZOUT brandt, groene led CEL knippert.	Zoutgehalte in zwembadwater is te laag en moet misschien gecontroleerd worden.	Zoutgehalte controleren, indien nodig toevoegen tot het peil GOED. 24 uur wachten tot het zout gemengd is met het water. Als het lampje CEL na 24 uur nog brandt, cel verwijderen en controleren en indien nodig reinigen.
Groene led ZOUT knippert.	Te veel zout in zwembad. Kan zwembaduitrusting en omliggende oppervlakken beschadigen.	Zwembadwater verdunnen door wat water af te laten en bij te vullen met vers water.
Led CEL is rood.	Watertemperatuur lager dan 12 °C.	Om chloor aan te maken, moet de watertemperatuur hoger zijn dan 12 °C.
Led CEL licht niet op.	Chloorproductie ingesteld op 00%.	CHLOORPRODUCTIE instellen op gewenst percentage.
	Waterdebiet te laag. Cel verstopt door vuil, pomp is leeggelopen.	Verstopping verwijderen en/of cel reinigen. Pomp voeden indien nodig.
	Zoutgehalte lager dan 2.600 ppm.	Zout toevoegen.
Led CEL knippert groen.	Zoutpeil controleren.	Indien nodig zout toevoegen om minimaal 3.400 ppm te handhaven.
	Cel vertoont calciumafzettingen en moet gereinigd worden.	Onderhoudsprocedure raadplegen voor wassen met zuur/reiniging. Zie "Onderhoud door de gebruiker"
	Chemische eigenschappen en evenwicht van water controleren. OPMERKING: concentratie metalen moet 0 ppm zijn.	Metalen uit water verwijderen met chemische oplossing.

Bepaalde garantie: 2 jaar

Meer informatie: www.pentairpooleurope.com

Problemen oplossen (vervolg)

Probleem	Mogelijke oorzaak	Maatregel
Led DEBIET is rood.	Pomp levert te laag waterdebiet.	Pomp controleren, met name op leeglopen of verstopte zeefkorven.
	Kleppen gesloten.	Afstelling van alle kleppen controleren en corrigeren.
	Filter vuil.	Procedures voor reiniging van filter volgen.
	Chlorinatorcel verstopt.	Cel verwijderen voor controle. Procedures voor reiniging volgen. Zie "Reiniging elektrolytische cel"
SC-75 ontvangt geen spanning.	Zekering in Powercenter gesprongen.	AC-zekering aan onderzijde van Powercenter vervangen.
	Geen voedingsspanning naar Powercenter.	Controleren of tijdschakelaar 220 VAC aan Powercenter levert wanneer actief.
	Transformatorraden niet correct aangesloten op Powercenter.	Op voedingsbron aangesloten transformatorraden controleren met behulp van de zelfklever met het aansluitschema aan de binnenzijde van het deksel van het Powercenter.

Systemspecificaties - 230 VAC

Circuitbeveiliging: tweepolige 20 AMP zekering op het elektrisch paneel.

Model SC-75P (Stroomvoorziening)

Ingangswaarden: 50Hz, 220-240 VAC, 220 W, 1 Amp.

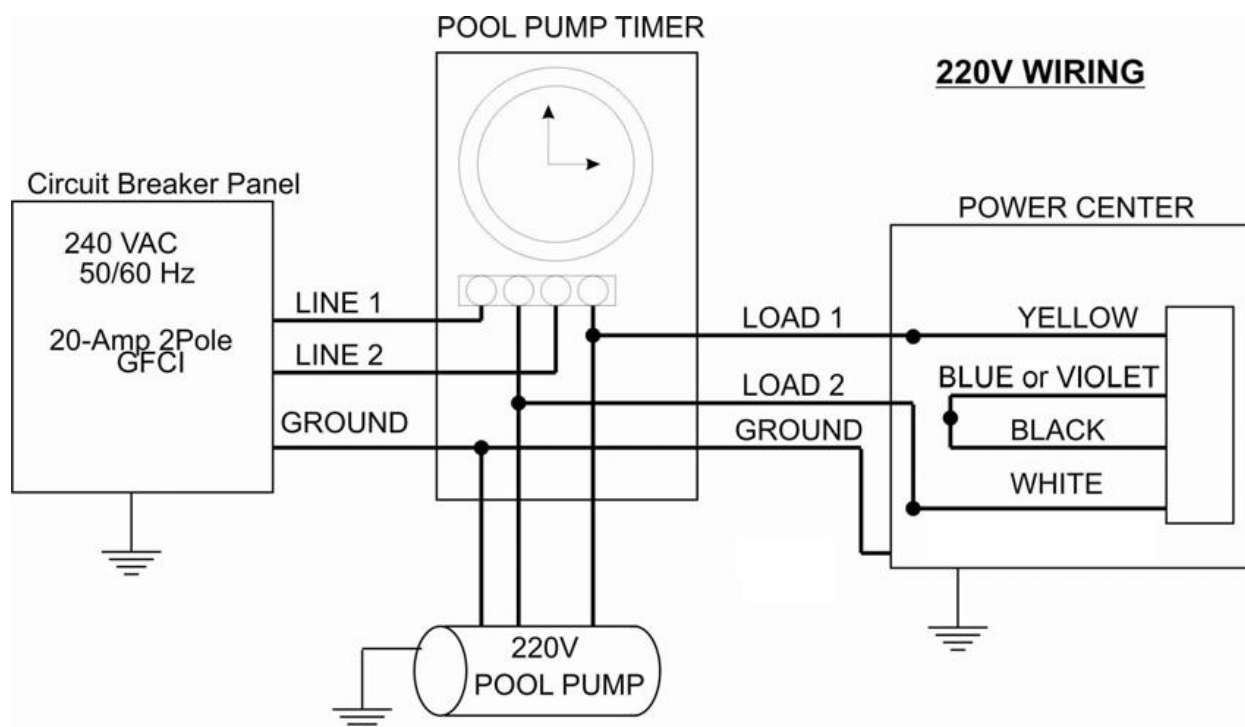
Uitgangswaarden: 28 VAC @ 5.2 Amp Max.

Waterdebiet: 6m³/u. (25 GPM) - **Max.debiet:** 24 m³/u (105 GPM) - **Max.druk:** 5 bar (75 PSI)

SC-75 AC bedradingsinstructies:

- Wanneer de SC-75 zoutchlorinator en een IntelliFlo pomp (of een pomp met variabele snelheid) worden gebruikt met een Pentair IntelliPool Automation systeem, lees dan de IntelliPool installatiehandleiding Hoofdstuk "Ontsmettingsmiddelaansluiting Alternatieve zoutchlorinator".

- Wanneer de SC-75 zoutchlorinator wordt gebruikt in combinatie met de "Pentair ControlPro Filtration Manager" en een pomp met variabele snelheid, lees dan de installatiehandleiding "Pentair ControlPro Filtration Manager".





Assistance clientèle

HERENTALS, BELGIQUE (8h30 à 16h30) Heure centrale européenne

Site Web : www.pentairpooleurope.com

E-mail : poolemea@pentair.com

Déclaration de conformité

Nous déclarons, sous notre seule responsabilité, que le produit identifié dans cette déclaration et sur lequel porte cette déclaration est conforme aux exigences de protection de la Directive du Conseil 2006/42/CEE.



Le fabricant, Pentair, est en droit de modifier les produits sans avis préalable tant que leurs caractéristiques n'en sont pas réellement altérées.

© 2015 Pentair, Inc. Tous droits réservés. Ce document peut être modifié sans avis préalable.

Marques déposées et clauses de non-responsabilité : toutes les marques déposées et logos sont la propriété de Pentair, Inc. Sta-Rite™, SC-75™, IntelliPool®, ControlPro™, Rainbow®, Eco Select® et Pentair Aquatic Systems™ sont les marques déposées de Pentair Inc. et/ou de ses entreprises affiliées aux États-Unis et/ou dans d'autres pays. Sauf mention contraire, les noms et marques de tiers qui peuvent être utilisés dans ce document ne signifient aucunement une quelconque adhésion entre les propriétaires de ces noms et marques et Pentair Inc. Ces noms et ces marques peuvent être des marques de commerce ou des marques déposées de ces tiers.

⚠ DANGER Ne pas suivre les instructions contenues dans ce manuel peut causer des effets néfastes sur la santé ou même des blessures graves, voire la mort. Ne pas suivre les instructions contenues dans ce manuel invalidera dans tous les cas les garanties et exonèrera le fabricant de toute responsabilité. LES INSTALLATEURS, OPÉRATEURS ET PROPRIÉTAIRES DE PISCINE DOIVENT LIRE CES AVERTISSEMENTS ET TOUTES LES CONSIGNES DU MANUEL DU PROPRIÉTAIRE AVANT D'UTILISER CE NETTOYEUR. CES AVERTISSEMENTS ET LE MANUEL DU PROPRIÉTAIRE DOIVENT ÊTRE LAISSÉS AU PROPRIÉTAIRE.

AVERTISSEMENTS IMPORTANTS ET CONSIGNES DE SÉCURITÉ



Avis important :

⚠ WARNING À l'attention de l'installateur : ce guide contient des informations importantes concernant l'installation, le fonctionnement et l'utilisation sécuritaire de ce produit. Cette information doit être remise au propriétaire et/ou à l'utilisateur de cet équipement après l'installation du chlorinateur à sels.

À l'attention de l'utilisateur: ce manuel contient d'importantes informations qui vous aideront à utiliser et entretenir ce chlorinateur à sels. Veuillez le conserver pour référence ultérieure. Consultez Pentair si vous avez des questions concernant ce matériel.

Avant d'installer ce produit, lire et suivre toutes les notices d'avertissement et instructions qui sont incluses. Toute effraction quant à ces consignes de sécurité et ces instructions peut causer des blessures graves ou mortelles, ou des dommages matériels. Visitez www.pentairpooleurope.com pour obtenir des exemplaires supplémentaires de ces instructions.

Informations pour le client et la sécurité

Ce chlorinateur à sels est conçu et fabriqué pour servir pendant de nombreuses années de façon sûre et fiable si son installation, son fonctionnement et son entretien respectent les informations contenues dans ce manuel. Dans tout ce manuel, des avertissements de sécurité et des avis de précaution sont identifiés par le symbole « **⚠** ». Assurez-vous de lire tous les avertissements et avis de précaution et de vous y conformer.

⚠ WARNING Pour réduire le risque de blessures, ne pas autoriser les enfants à utiliser ce produit. Seul un professionnel d'entretien qualifié peut installer et entretenir cette pompe.

⚠ WARNING **UNE ACCUMULATION DE GAZ CHLORE PEUT SE PRODUIRE EN CAS DE CÂBLAGE INADAPTÉ** : pour réduire le risque de lésions corporelles, le centre d'alimentation du chlorinateur à sels SC-75 doit être installé et branché du côté charge du timer et contrôlé électroniquement, ou du côté de charge relais, afin de n'être alimenté que lorsque la pompe fonctionne. Dans le cas contraire, une accumulation dangereuse de gaz chlore peut se produire. L'appareil ne doit jamais être alimenté lorsque la pompe de piscine est ÉTEINTE et que l'eau ne circule pas dans l'appareil.

Ne jamais faire fonctionner le chlorinateur SC-75 sans flux ou circulation d'eau. L'accumulation de gaz inflammables engendrerait des conditions dangereuses.

⚠ CAUTION Le chlorinateur à sels SC-75 est destiné à être utilisé avec des piscines à installation permanente et peut également être utilisé avec des bains à remous et des spas le cas échéant. Ne pas utiliser avec des piscines démontables ou en acier. Une piscine installée de manière permanente est construite dans le sol, sur le sol ou dans un bâtiment, et ne peut pas être démontée pour être rangée. Une piscine démontable est conçue de manière à pouvoir être démontée rapidement en vue de son rangement et remontée dans son état d'intégrité initial.

AVERTISSEMENTS IMPORTANTS ET CONSIGNES DE SÉCURITÉ - SUITE

⚠ WARNING Lors du mélange de l'acide avec de l'eau, **TOUJOURS AJOUTER L'ACIDE À L'EAU. NE JAMAIS AJOUTER L'EAU À L'ACIDE.**

⚠ CAUTION L'utilisation de produits chimiques autres que ceux recommandés peut s'avérer dangereuse. L'utilisation appropriée des produits chimiques recommandés peut elle-même s'avérer dangereuse. Veuillez suivre les instructions du fabricant des produits chimiques.

⚠ CAUTION Pour réduire le risque de choc électrique, installer le chlorinateur à sels SC-75 à une distance minimale de 1,5 m de la paroi intérieure de la piscine. Installer l'appareil à une distance minimale de 1 m de la sortie du radiateur.

⚠ WARNING Le sel est un matériau corrosif par nature. Même si les niveaux de sel nécessaires pour garantir le fonctionnement correct du chlorinateur à sels SC-75™ sont relativement faibles en comparaison avec l'eau de mer et d'autres solutions salines, déverser quelque quantité de sel que ce soit dans votre piscine augmente les risques de corrosion ou de toute autre dégradation de l'équipement de piscine et des revêtements de surface posés dans votre bassin et autour de celui-ci. Les pièces et composants en métal (y compris les piscines en métal) ainsi que certains revêtements naturels et synthétiques sont particulièrement sensibles à la corrosion et se dégradent volontiers à proximité et dans les bassins remplis d'eau salée. Pentair Aquatic Systems (« Pentair ») ne prétend ni ne garantit en aucune façon que l'utilisation appropriée du chlorinateur à sels SC-75 suffira à prévenir la corrosion ou toute autre dégradation de l'équipement de piscine et des revêtements de surface posés dans votre bassin et autour de celui-ci. Consultez votre installateur expérimenté. Il devrait être à même de vous conseiller quant à la sélection des équipements et matériaux adéquats, aux techniques d'installation de ces équipements et matériaux ainsi qu'à leur utilisation, leur entretien et leur maintenance en fonction de la nature et de la situation de votre piscine afin de minimiser les risques de corrosion et de détérioration inhérents à la salinité relevée à proximité et dans les bassins remplis d'eau salée.

Conditions générales de la garantie limitée

Avant d'installer votre chlorinateur SC-75, réviser et comprendre tous les avertissements et l'information de sécurité contenus dans ce guide. Le fait de ne pas suivre ces instructions ou une installation incorrecte du nettoyeur peuvent causer des dommages au revêtement de la piscine ou de la membrane de vinyle; Pentair Aquatic Systems décline toute responsabilité pour les réparations ou le remplacement de quelconque de ces structures ou composants de la piscine du client.

Garantie limitée : 2 ans.

Plus d'informations : www.pentairpooleurope.com

Clause de non-responsabilité - Votre piscine et vos équipements

Il y a une multitude de facteurs qui contribuent à la durée de vie de votre piscine.

Veuillez noter qu'au fil du temps, la détérioration, la décoloration ou l'effritement de tout revêtement de piscine peuvent être causés séparément par l'âge, un déséquilibre chimique de l'eau de la piscine, une installation incorrecte ou une combinaison de ces facteurs, ainsi que d'autres facteurs.

La même situation s'applique aux piscines creusées avec membrane de vinyle, car les membranes de vinyle sont aussi affectées par l'environnement et des facteurs tels que les propriétés chimiques de l'eau de la piscine, la lumière du soleil et les environs de la piscine. Donc, avec le temps, le vinyle peut devenir cassant et fragile. De plus, les piscines avec membrane de vinyle sont affectées par la qualité de la main-d'œuvre, la composition et l'installation de la membrane, ainsi que la qualité de la main-d'œuvre et de construction des murs de soutènement et de la base de la piscine. Tous ces facteurs peuvent contribuer à un défaut de la membrane. Le fabricant décline toute responsabilité pour les réparations ou le remplacement de quelconque de ces structures ou composants de la piscine du client.

Le propriétaire de la piscine doit assumer l'entière responsabilité pour l'état et l'entretien de la surface de la piscine, de l'eau et de la terrasse.

Avant l'installation du chlorinateur à sels SC-75, veuillez prendre le temps de noter son numéro de série. Vous devrez fournir ce numéro si vous contactez le Service du soutien technique.

NUMÉRO DE SÉRIE _____

VUE D'ENSEMBLE chlorinateur à sels SC-75™

Le chlorinateur à sels SC-75 a recours à un procédé connu sous le nom d'électrolyse pour produire du gaz chlore se dissolvant immédiatement dans une solution. Cela crée un désinfectant d'eau de piscine et de spa à base d'acide hypochlorite et hypochloreux, à partir d'une faible concentration de sel ajoutée à l'eau de piscine. Les acides hypochlorite et hypochloreux tuent les bactéries, oxydent les matériaux biologiques et tuent les algues, avant de se retransformer en sel. Le chlorinateur SC-75 réutilise ensuite le sel pour recommencer le procédé. Le système SC-75 comprend un centre de cellule de mesure et d'alimentation.

⚠ CAUTION Le chlorinateur à sels SC-75 est uniquement conçu pour produire du chlore. L'appareil ne contrôle pas les niveaux de chlore dans l'eau de piscine ou de spa. Il incombe au propriétaire de la piscine de contrôler et de maintenir les niveaux de chlore libre selon le taux recommandé par l'ASPS, de 2,0 à 4,0 parties par million (ppm). Il incombe au propriétaire de la piscine de vérifier régulièrement le niveau de chlore libre pendant que la pompe de piscine fonctionne, et de régler le chlorinateur SC-75 en conséquence.

⚠ WARNING Le sel est un matériau corrosif par nature. Même si les niveaux de sel nécessaires pour garantir le fonctionnement correct du chlorinateur à sels SC-75 sont relativement faibles en comparaison avec l'eau de mer et d'autres solutions salines, déverser quelque quantité de sel que ce soit dans votre piscine augmente les risques de corrosion ou de toute autre dégradation de l'équipement de piscine et des revêtements de surface posés dans votre bassin et autour de celui-ci. Les pièces et composants en métal (y compris les piscines en acier) ainsi que certains revêtements naturels et synthétiques sont particulièrement sensibles à la corrosion et se dégradent volontiers à proximité et dans les bassins remplis d'eau salée. Pentair Aquatic Systems (« Pentair ») ne prétend ni ne garantit en aucune façon que l'utilisation appropriée du chlorinateur à sels SC-75 suffira à prévenir la corrosion ou toute autre dégradation de l'équipement de piscine et des revêtements de surface posés dans votre bassin et autour de celui-ci. Consultez votre installateur expérimenté. Il devrait être à même de vous conseiller quant à la sélection des équipements et matériaux adéquats, aux techniques d'installation de ces équipements et matériaux ainsi qu'à leur utilisation, leur entretien et leur maintenance en fonction de la nature et de la situation de votre piscine afin de minimiser les risques de corrosion et de détérioration inhérents à la salinité relevée à proximité et dans les bassins remplis d'eau salée.

⚠ CAUTION POUR TOUTES LES PISCINES RÉCEMMENT CONSTRUITES OU RESURFACÉES : ne pas utiliser le chlorinateur SC-75 sur un revêtement de piscine récemment placé ou changé. Le sel est un élément corrosif et votre piscine peut subir des dégâts importants. Attendre au minimum UN (1) MOIS après la construction pour permettre à la membrane de reposer avant d'ajouter du sel et d'utiliser le chlorinateur SC-75. Veuillez suivre les instructions du fabricant de revêtement de piscine pour le cas particulier de votre piscine. POUR LES PISCINES AVEC NOUVEAU REVÊTEMENT VINYLE, veuillez contacter le fabricant pour obtenir des recommandations avant d'ajouter du sel et d'utiliser le chlorinateur SC-75.

Composants du système SC-75

Un système de chlorinateur à sels SC-75 comprend au moins l'un des éléments suivants :

- **Cellule Y1146** : conçue pour les piscines d'une contenance maximale de 90 m³. La cellule produira l'équivalent de 0.45 kg de chlore pur par 24 heures de fonctionnement continu de la pompe de piscine.
- **SC-75P** : Centre d'alimentation. Alimente la cellule SC-75.

Panneau de commande du chlorinateur à sels SC-75 et description de cellule

Le chlorinateur SC-75 comprend un panneau de commande avec boutons et indicateurs LED pour contrôler l'appareil et produire du chlore. Le chlorinateur SC-75 mesure la température de l'eau et le taux de sel pour produire du chlore dans les quantités définies. Si le taux de sel dans l'eau de piscine est trop faible (taux de sel affiché en rouge), la cellule s'éteint tant que du sel n'est pas rajouté à l'eau de piscine. Le contrôleur dispose d'un cycle d'auto-nettoyage qui inverse la polarité de la cellule, réduisant l'accumulation de calcium. Cette fonctionnalité active et désactive la cellule à intervalles réguliers, afin de minimiser l'accumulation de calcium et de tartre et d'optimiser la durée de vie de la cellule.

Le chlorinateur SC-75 comprend les électrodes bipolaires et à contrôle électronique produisant électriquement le chlore lorsque alimentés par du courant CC. Le chlore est généré par la circulation de l'eau de piscine contenant du sel dans la cellule. La production de chlore peut être modifiée en réglant le niveau de sortie du doseur sur le panneau de commande et/ou en modifiant le nombre d'heures de fonctionnement quotidien de l'appareil. Le chlorinateur SC-75 inverse automatiquement les lames des électrodes de la cellule après quelques heures, afin de nettoyer la cellule. Ce processus n'interrompt pas la production de chlore. Le chlorinateur SC-75 est également doté d'un capteur de flux mécanique assurant que la bonne quantité d'eau passe dans la cellule pour permettre la chloration. Le chlorinateur SC-75 mesure automatiquement la salinité et la température de l'eau, puis affiche trois (3) plages de salinité sur le panneau de commande, à l'aide des indicateurs LED. Le KECG comprend un câble de 3 m pour connexion au centre d'alimentation.

- Capteur de flux : un capteur de flux assure la circulation d'une quantité d'eau adéquate dans le chlorinateur SC-75. Si le chlorinateur SC-75 n'est pas correctement relié au réseau de plomberie et/ou ne reçoit pas un flux d'eau adéquat, aucun chlore ne sera produit.
- Capteur de température : pour protéger le chlorinateur SC-75 de dommages de fonctionnement potentiels lorsque la température de la piscine tombe en-dessous de 11°C, $\pm 1.67^\circ\text{C}$, le capteur de température désactive la cellule, active le voyant EAU FROIDE et aucun chlore ne sera produit.
- Capteur de sel : deux (2) sondes de capteur de sel dans le chlorinateur SC-75 sont activées à chaque fois que le chlorinateur SC-75 est allumé, puis toutes les 12 heures lors d'un fonctionnement continu. À chaque fois, les témoins LED indicateurs de taux de sel clignotent l'un après l'autre pendant deux (2) minutes pour indiquer que le chlorinateur SC-75 est en mode analyse. Après deux (2) minutes, les témoins LED indiqueront l'une (1) des quatre (4) plages de salinité. Pour plus d'informations, voir « LED de statut du taux de sel »

Remarque : l'analyse du capteur de sel est précise à +/- 500 ppm.

Centre d'alimentation SC-75

L'alimentation électrique est connectée à la source d'alimentation électrique de la pompe de circulation de piscine, afin que le chlorinateur SC-75 ne fonctionne que lorsque la pompe est en marche. Monter le centre d'alimentation à la verticale sur un mur, à trois (3) mètres de distance maximum de la cellule. Le centre d'alimentation comprend le transformateur, le fusible et le connecteur pour la cellule. Un porte fusible est monté au bas du centre d'alimentation pour une protection accrue. Il n'y a pas d'autre commande ni témoin sur le centre d'alimentation. Pour obtenir des informations sur l'installation et l'utilisation correcte du centre d'alimentation, voir le « Guide d'installation du centre d'alimentation SC-75 ».

CAUTION Le centre d'alimentation SC-75 ne permet PAS de commander la pompe. Le chlorinateur à sels SC-75 ne produit du chlore que lorsque la pompe de piscine fonctionne.



CAUTION Avant de brancher ou de débrancher le chlorinateur à sels SC-75 du centre d'alimentation, éteindre d'abord l'alimentation CA du centre d'alimentation.

Schéma canalisation circulaire

Le chlorinateur à sels SC-75 est conçu pour fonctionner avec des débits d'eau entre 5,7 m³/h et 24 m³/h. Pour des débits d'eau supérieurs à 18 m³/h minute, utiliser un by-pass (comme illustré ci-dessous) pour optimiser la production de chlore. Les installations avec un débit supérieur à 18 m³/h comprennent les installations avec systèmes de nettoyage intégrés ou surpresseurs. Ces systèmes DOIVENT avoir recours à un by-pass avec le chlorinateur SC-75, avec une vanne de contrôle du flux assurant que le flux circulant dans le chlorinateur SC-75 est conforme aux débits d'eau adéquats.

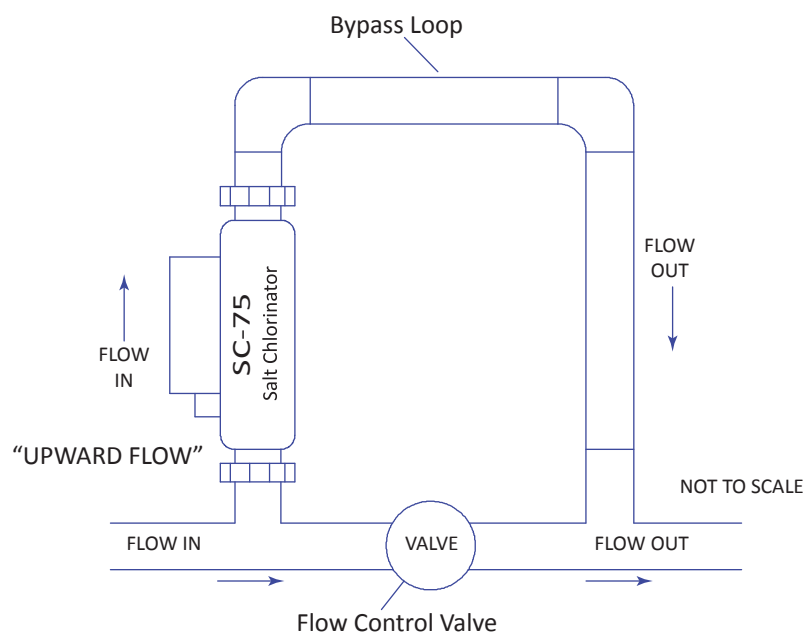
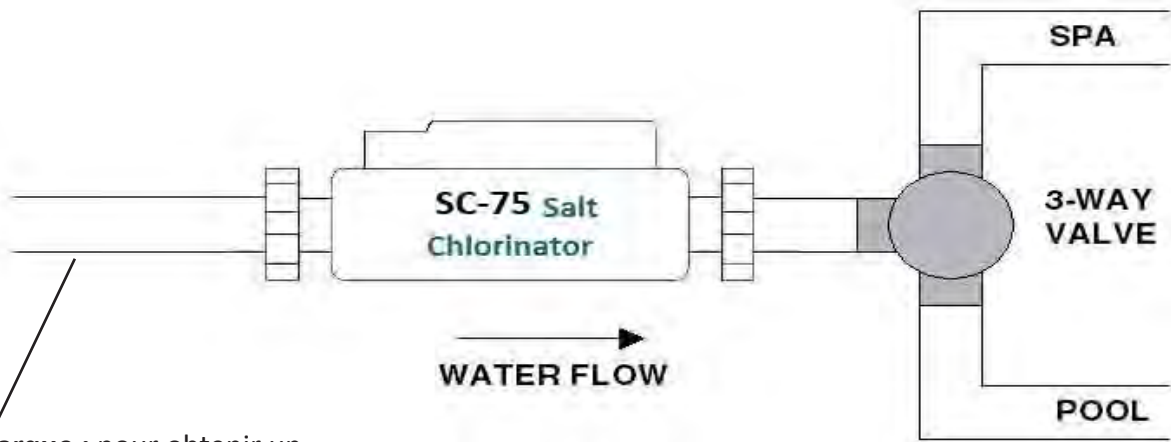


Schéma plomberie SC-75

Installation du chlorinateur à sels SC-75 :

- Toujours installer le chlorinateur à sels SC-75 APRÈS avoir installé le filtre et le radiateur. Le chlorinateur SC-75 doit être à 1 m minimum de la sortie du radiateur.
- Si le chlorinateur SC-75 est installé sur un système de combinaison piscine/spa, installer (voir le schéma ci-dessous) le chlorinateur SC-75 AVANT d'installer la vanne de retour de piscine/spa, pour permettre une chloration adéquate de la piscine et du spa, et pour éviter également de créer des poches de gaz dans les tuyaux.



NON À L'ÉCHELLE

Remarque : pour obtenir un meilleur flux, laissez au moins 30 à 45 cm de tuyau droit devant l'entrée de la cellule.

Panneau de commande SC-75

INDICATEURS LED DU STATUT DU SEL

Le taux de sel SC-75 vérifie l'eau de la piscine quotidiennement et affiche les taux comme suit :

LED VERTE : Taux de sel adéquat Le taux de sel dans l'eau de la piscine est compris entre 2800 ppm et 4500 ppm, et le chlorinateur SC-75 produit du chlore. Les indicateurs LED du statut du sel SC-75 doivent toujours être VERTS pour obtenir des résultats optimaux. Le taux de sel idéal est de 3400 ppm.

LED VERTE (CLIGNOTE) : le taux de sel est supérieur à 4500 ppm. Du chlore est produit mais le taux de sel est trop élevé, ce qui augmente les risques de corrosion et de détérioration des équipements et surfaces dans et autour de la piscine. L'eau de la piscine doit être drainée et remplie à nouveau, par étapes de 300 mm, jusqu'à ce que le taux de sel soit inférieur à 4500 ppm.

LED ROUGE : Faible taux de sel Le taux de sel de l'eau est inférieur à 2800 ppm. Le chlorinateur SC-75 produira du chlore de façon moins efficace. Il est recommandé d'ajouter du sel (*).

LED ROUGE CLIGNOTANTE : Taux de sel très bas Le taux de sel de l'eau est inférieur à 2600 ppm. Le chlorinateur SC-75 ne produira pas de chlore tant que du sel n'est pas ajouté. Le chlorinateur SC-75 est éteint. (*)

(*) Après chaque addition de sel, la pompe doit fonctionner pendant au moins 24 heures pour une dilution correcte. Les analyses de salinité ne doivent être relevées qu'après une période de dilution de 24 heures.

INDICATEURS LED DU STATUT DU SEL

CELLULE : INDIQUE LE STATUT DU CHLORINATEUR SC-75

VERT CLIGNOTANT : Le chlorinateur SC-75 doit être inspecté. Les lames sont peut-être calcifiées. Le chlorinateur SC-75 ne produira pas de chlore.

VERT : le chlorinateur SC-75 fonctionne bien et produit du chlore.

PAS DE TÉMOIN : le chlorinateur SC-75 est éteint et ne produit pas de chlore. Il est peut-être en cycle éteint du processus d'assainissement et se rallumera en temps voulu.

ROUGE : le chlorinateur SC-75 est en mode « veille » (système éteint, pas de génération de chlore) à cause des températures froides. Le chlorinateur SC-75 reprendra la production de chlore une fois que la température de l'eau passera au-dessus de 11°C.

FLUX : CE TÉMOIN INDIQUE LE STATUT DE L'EAU CIRCULANT DANS LE CHLORINATEUR SC-75.

ROUGE : Flux d'eau insuffisant dans le chlorinateur SC-75, aucun chlore n'est produit.

VERT : Flux d'eau suffisant dans le chlorinateur SC-75, du chlore est produit.

INDICATEURS LED DE PRODUCTION

Les trois (3) indicateurs LED affichent sous forme de diagramme les incréments, le pourcentage de temps où le chlore est produit par heure de fonctionnement de la pompe. En mode BOOST, ces LED clignotent de bas en haut.

Remarque : Si aucune LED ne s'allume, la production est programmée à 0 % et le chlorinateur à sels SC-75 ne produit pas de chlore.

- 0 % 0 LED allumée - Pas de chlore produit - le chlorinateur à sels SC-75 est éteint.
- 33.3 % 1 LED allumée - Produit du chlore pendant 33 % de chaque heure de fonctionnement de la pompe.
- 66.6 % 2 LED allumées - Produit du chlore pendant 66 % de chaque heure de fonctionnement de la pompe.
- 100 % 3 LED allumées - Produit du chlore pendant 100 % de chaque heure de fonctionnement de la pompe.

Boutons de production Plus et Moins

Les boutons Plus et Moins contrôlent le pourcentage de temps de chaque heure durant lequel le chlorinateur à sels SC-75 produit du chlore, pendant que la pompe est en marche (voir Indicateurs LED de production du doseur ci-dessus). Les témoins fonctionnent comme un diagramme en bâtons : plus il y a de témoins allumés, plus la production de chlore est élevée. Relever le couvercle du panneau pour accéder aux boutons Plus, Moins et Boost marche/arrêt. Pour sortir du mode Boost, appuyer longuement sur les deux boutons.

Plus : augmente le temps passé par la cellule à produire du chlore.

Moins : diminue le temps passé par la cellule à produire du chlore.

Boost marche/arrêt : appuyer longuement sur les boutons Plus et Moins en même temps pour activer ou désactiver le mode Boost. Le mode Boost programme la production du doseur pour qu'il fonctionne à 100 % au cours des 24 heures de fonctionnement de la pompe de piscine. Si le timer désactive le cycle de la pompe, puis le rallume le lendemain, le mode Boost continuera jusqu'à ce que 24 heures soient passées depuis l'activation du mode Boost ou jusqu'à son annulation par l'utilisateur. L'affichage de production du doseur formera un motif de LED allumées pour indiquer que le mode Boost est activé.

Auto-nettoyage

La fonctionnalité d'auto-nettoyage réduit l'accumulation de tartre sur les lames du chlorinateur SC-75. Le cycle d'auto-nettoyage tend à réduire la durée de vie du chlorinateur SC-75. Il ne devrait donc être uniquement utilisé dans la mesure nécessaire pour minimiser l'accumulation de tartre sur les lames. Le cycle d'auto-nettoyage peut être réglé pour fonctionner toutes les 3, 4, ou 5 heures, selon ce qui conviendra le mieux aux conditions particulières de votre piscine, afin de minimiser l'accumulation de tartre mais aussi d'optimiser la vie du chlorinateur SC-75. Le réglage de sortie d'usine est de deux (2) heures au cours des 30 premiers jours de fonctionnement, puis passe automatiquement à trois (3) heures. Pour modifier le cycle d'auto-nettoyage, appuyer longuement sur le bouton MOINS pendant trois (3) secondes. L'affichage du doseur indiquera le nombre d'heures sous forme de diagramme en bâtons. Le nombre de LED de production éclairées correspond au nombre d'heures d'inversion. Appuyer sur le bouton Plus ou Moins pour changer ce réglage.

Propriétés chimiques de l'eau de piscine, conditions et précautions

Cette section décrit la procédure de démarrage et les instructions de fonctionnement concernant le chlorinateur à sels SC-75.

Propriétés chimiques de l'eau de piscine, conditions et précautions

1. Eau de piscine neuve : une piscine récemment remplie ou récemment terminée peut contenir des matériaux indésirables. Ces matériaux indésirables pourraient interférer avec la capacité du chlorinateur SC-75 à produire correctement du chlore. Assurez-vous que l'eau soit testée par un professionnel pisciniste et correctement équilibrée avant d'allumer le chlorinateur à sels SC-75.

⚠ WARNING Le sel est un matériau corrosif par nature. Même si les niveaux de sel nécessaires pour garantir le fonctionnement correct du chlorinateur à sels SC-75 sont relativement faibles en comparaison avec l'eau de mer et d'autres solutions salines, déverser quelque quantité de sel que ce soit dans votre piscine augmente les risques de corrosion ou de toute autre dégradation de l'équipement de piscine et des revêtements de surface posés dans votre bassin et autour de celui-ci. Les pièces et composants en métal (y compris les piscines en métal) ainsi que certains revêtements naturels et synthétiques sont particulièrement sensibles à la corrosion et se dégradent volontiers à proximité et dans les bassins remplis d'eau salée. Pentair Aquatic Systems (« Pentair ») ne prétend ni ne garantit en aucune façon que l'utilisation appropriée du chlorinateur à sels SC-75 suffira à prévenir la corrosion ou toute autre dégradation de l'équipement de piscine et des revêtements de surface posés dans votre bassin et autour de celui-ci. Consultez votre installateur expérimenté. Il devrait être à même de vous conseiller quant à la sélection des équipements et matériaux adéquats, aux techniques d'installation de ces équipements et matériaux ainsi qu'à leur utilisation, leur entretien et leur maintenance en fonction de la nature et de la situation de votre piscine afin de minimiser les risques de corrosion et de détérioration inhérents à la salinité relevée à proximité et dans les bassins remplis d'eau salée.

2. La super chloration brûle les déchets flottants s'étant combinés au chlore. Cela libère le chlore pour l'assainissement. Ceci est accompli en augmentant le niveau de chlore rapidement et de manière importante. Lorsque le niveau de chlore atteint dix (10) fois la quantité de chlore combiné (généralement 5 à 10 ppm), l'eau de piscine est considérée comme super chlorée. Tandis que l'eau circule continuellement dans le chlorinateur SC-75 quand celui-ci est en marche, toute l'eau de piscine dans le chlorinateur SC-75 est super chlorée. Lorsque le chlorinateur à sels SC-75 est utilisé dans des piscines, l'eau scintille et ne brûle pas les yeux car elle ne contient pas de chloramine.

Remarque : lors du démarrage initial d'une piscine, mieux vaut pratiquer la super chloration à l'aide d'une source extérieure. Procurez-vous un traitement de choc auprès de votre pisciniste.

3. Les chloramines ne devraient pas être présents dans l'eau de la piscine. Les chloramines se forment lorsque de l'ammoniaque (présent dans l'urine et la transpiration) se combine à du chlore libre. Cela retient le chlore libre dans votre piscine et ne lui permet pas d'être désinfecté. Les chloramines brûlent également les yeux et dégagent des odeurs nauséabondes. Pratiquer la super chloration pour éliminer les chloramines lors du démarrage initial de la piscine et autant que nécessaire pour maintenir des niveaux adéquats de chlore libre.

4. L'acide cyanurique est nécessaire dans les piscines extérieures pour stabiliser et maintenir des niveaux adéquats de chlore. 90 % du chlore non stabilisé est détruit par les radiations UV du soleil, en l'espace de deux heures. L'acide cyanurique stabilise le chlore dans l'eau et protège celle-ci de la dégradation par les UV. Lors de l'utilisation du chlorinateur SC-75, le niveau d'acide cyanurique doit être maintenu entre 30 et 50 ppm. Voir Tableau 2.

REMARQUE : NE PAS UTILISER D'ACIDE CYANURIQUE DANS LES PISCINES INTÉRIEURES.

5. Solides totaux dissous (TDS) : ajouter du sel à l'eau de piscine augmentera le niveau de TDS. Même si cela n'affecte pas irrémédiablement les propriétés chimiques ou la clarté de l'eau de la piscine, le test professionnel d'eau de piscine pour les TDS doit être fait en ayant connaissance de l'ajout de sel dans le système SC-75. L'application individuelle du test TDS peut alors soustraire les niveaux de salinité pour arriver à un niveau de TDS compatible à celui d'une eau de piscine non salée.

6. Métaux - certains métaux, comme le cuivre et le fer, peuvent causer une perte de chlore. Les métaux peuvent également tacher votre piscine. Les métaux peuvent également endommager le chlorinateur à sels SC-75. Demandez à votre pisciniste de rechercher des métaux et de recommander des méthodes d'élimination.

7. Les Nitrates et Phosphates peuvent produire des besoins en chlore extrêmement élevés et réduiront le chlore de votre piscine. Dans certains cas, les nitrates peuvent même faire tomber les taux de sel à zéro. Votre pisciniste peut rechercher les nitrates et phosphates. Si un niveau de 0 ppm de nitrates est idéal, un propriétaire de piscine doit s'assurer que les nitrates ne dépassent PAS 10 ppm. Les phosphates ne doivent pas excéder 125 parties par milliard (ppb)

Conditions de propriétés chimiques optimales de l'eau de piscine pour piscines d'eau salée (utilisation du chlorinateur à sels SC-75)

Conformément aux normes de l'Association of Pool and Spa Professionals (APSP), il est recommandé de maintenir les conditions de propriétés chimiques de l'eau de piscine suivantes de façon régulière, afin de protéger les utilisateurs, les équipements et les surfaces de piscine. Ces valeurs sont importantes pour maintenir l'équipement de piscine dans des conditions de fonctionnement adéquates et éviter la corrosion, l'entartrage et autres problèmes. Le chlorinateur à sels SC-75 est garanti pour ne fonctionner que si ces conditions sont remplies. Pour plus d'informations, veuillez vous renseigner auprès de votre agence locale ayant compétence : NSPI (National Spa and Pool Institute), CDC (Centre pour le contrôle et la prévention des maladies) ou l'OMS (Organisation mondiale de la santé).

Chlore libre :	2,0 - 4,0 ppm Un taux supérieur à 4,0 ppm peut causer la corrosion de composants métalliques.
Chlore combiné (Chloramines) :	Aucun (super chlorer pour éliminer les chloramines)
pH :	7,2 - 7,8 (UTILISER DE L'ACIDE MURIATIQUE pour faire baisser le pH et du carbonate de soude pour le faire augmenter.)
Acide cyanurique :	30 - 50 ppm
Alcalinité totale :	80 - 120 ppm
Dureté du calcium :	200 - 400 ppm
TDS (sel compris) :	3000 minimum à 5700 - 6000 ppm maximum
Sel :	3000 - 4500 ppm (idéal : 3400 ppm)
Métaux (cuivre, fer, manganèse) :	Aucun
Nitrates :	Aucun
Phosphates :	moins de 125 ppb
Index de saturation	-0,3 à 0,3 (zéro (0) étant le meilleur)

Piscines couvertes et à revêtement en vinyle, baisse du niveau de production de chlore

Lors de l'utilisation du chlorinateur à sels SC-75 avec des piscines couvertes et/ou à revêtement en vinyle, une quantité inférieure de chlore est nécessaire. Il est recommandé de baisser le niveau de production de chlore lorsque la piscine est couverte.

Test de chlore

Il est recommandé de prendre des échantillons de chlore à deux (2) endroits dans la piscine. Comparez les échantillons. Un niveau plus élevé devrait être trouvé dans la conduite de retour de la piscine. Le niveau plus élevé au niveau de la conduite de retour de la piscine indique que le chlorinateur SC-75 produit bien du chlore. Prélever des échantillons de chlore pour les tester au niveau de :

- La conduite de retour de la piscine.
- 450 mm sous la surface et loin de la conduite de retour de la piscine.

Quel type de sel utiliser

Plus le sel est pur, meilleures seront les performances et la durée de vie du chlorinateur à sels SC-75. Utiliser du sel qui soit au moins à 99,8 % du chlorure de sodium NaCl pur. Le sel préféré et recommandé est un sel évaporé, granulé, de qualité alimentaire, non-ionisé et sans additifs. Consultez votre spécialiste en piscine/fournisseur de sel.

- Évitez d'utiliser du sel avec des agents antimottants (cyanure de fer, également connu sous le nom de prussiate jaune de soude ou YPS) Les produits de remplissage peuvent causer une décoloration des raccords et des finitions de surface de la piscine.
- Les pastilles de sel de traitement de l'eau sont des formes compressées de sel évaporé et peuvent être utilisés, mais mettront plus de temps à se dissoudre. Ces pastilles peuvent endommager le revêtement de la piscine et autres surfaces de la piscine.
- Ne pas utiliser de chlorure de calcium ou de chlorure de potassium en tant que source de sel. (n'utiliser que du chlorure de sodium.)
- Ne pas utiliser de sel gemme (les impuretés insolubles mélangées au sel gemme peuvent raccourcir la durée de vie du chlorinateur SC-75).

Quelle quantité de sel utiliser ?

CAUTION POUR TOUTES LES PISCINES RÉCEMMENT CONSTRUITES OU RESURFACÉES : ne pas utiliser le chlorinateur SC-75 sur une membrane de piscine récemment placée ou changée. Le sel est un élément corrosif et votre piscine peut subir des dégâts importants. Attendre au minimum UN (1) MOIS après la construction pour permettre à la membrane de reposer avec d'ajouter du sel et d'utiliser le chlorinateur SC-75. Veuillez suivre les instructions du fabricant de membrane de piscine pour le cas particulier de votre piscine.

POUR LES PISCINES AVEC NOUVEAU REVÊTEMENT VINYLE, veuillez contacter le fabricant pour obtenir des recommandations avant d'ajouter du sel et d'utiliser le chlorinateur SC-75.

Utiliser le Tableau 1 pour déterminer la quantité de sel nécessaire. La plupart des piscines contiennent du sel, selon la source de l'eau et les produits chimiques utilisés pour la désinfection. Ainsi, le propriétaire de la piscine doit toujours vérifier les taux de sel avant d'en ajouter. Un compteur manuel calibré pour le NaCl (sel) peut être utilisé pour déterminer les taux de sel dans l'eau de la piscine. Un fois le chlorinateur à sels SC-75 allumé, les témoins LED de taux de sel clignoteront de bas en haut pendant deux (2) minutes au cours de l'analyse de l'eau de piscine, puis les témoins LED indiqueront l'une (1) des quatre (4) plages de taux de sel. Cette lumière fixe indique le statut de sel de la piscine.

- 3000 à 3500 ppm de sel sont recommandés pour des conditions optimales en matière d'eau.
- Une faible concentration de sel, inférieure à 2600 ppm, provoquera l'arrêt de l'appareil.
- Une forte concentration de sel, de plus de 4500 ppm, peut causer une corrosion ou une détérioration excessive des équipements de piscines et des surfaces environnant la piscine.

Remarque : les taux de sel varieront selon l'appareil de mesure (bandes de test de sel, testeurs électroniques ou titrage). L'analyse du capteur de sel est précise à +/- 500 ppm. Pour plus d'informations de dépannage en matière de taux élevés de sel, veuillez consulter la rubrique « Dépannage ».

Calculer l'indice de saturation

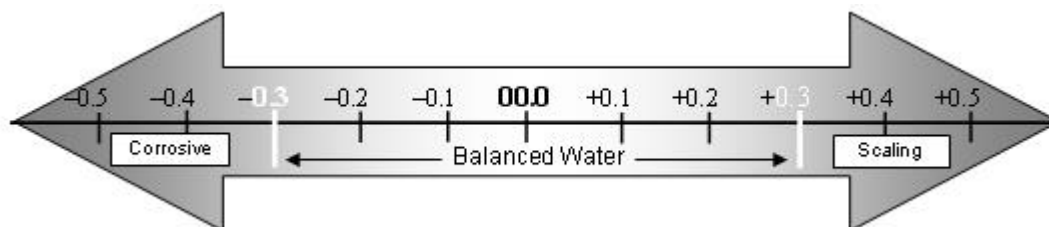
L'indice de saturation est une formule associant le pH, le calcium et l'alcalinité de l'eau de la piscine. Une eau de piscine bien équilibrée aura un résultat de formule compris entre -0,3 et 0,3. En dehors de cette plage-là, l'eau de piscine est déséquilibrée et peut potentiellement endommager les équipements de piscine ou entartrer le chlorinateur SC-75. L'équation pour calculer l'IS est la suivante :

IS	=	pH	+	CHF	+	AF	+	TF	+	TDSF
Indice de saturation		pH relevé		Facteur de dureté du calcium		Facteur alcalinité		Facteur température		Facteur TDS

L'acide cyanurique sous forme d'ions cyanurés contribue à l'alcalinité. Donc, l'alcalinité totale doit être corrigée. Il suffit de soustraire 1/3 du niveau d'acide cyanurique au relevé obtenu par le test d'alcalinité totale.

Alcalinité totale - 1/3 acide cyanurique = alcalinité corrigée

Cette correction peut être importante dans le cas de piscines ayant des niveaux d'acide cyanurique élevés. Par exemple, pour 240 ppm d'acide cyanurique, la correction sera de 80 ppm (240 ÷ 3 = 80).



Facteur TDS (Les facteurs indiqués ci-dessous sont basés sur la valeur réelle mesurée pour le paramètre en question.)

TDS	Facteur
<1000	12,10
1000	12,19
2000	12,29
3000	12,35
4000	12,41
5000	12,44

Facteurs d'indice de saturation Langelier

Temperature			Calcium Hardness		Total Carbonate Alkalinity	
°F	°C	TF	ppm (mg/L)	CHF	ppm (mg/L)	AF
32	0.0	0.0	25	1.0	25	1.4
37	2.8	0.1	50	1.3	50	1.7
46	7.8	0.2	75	1.5	75	1.9
53	11.7	0.3	100	1.6	100	2.0
60	15.6	0.4	125	1.7	125	2.1
66	18.9	0.5	150	1.8	150	2.2
76	24.4	0.6	200	1.9	200	2.3
84	28.9	0.7	250	2.0	250	2.4
94	34.4	0.8	300	2.1	300	2.5
105	40.6	0.9	400	2.2	400	2.6
			800	2.5	800	2.9

Comment ajouter du sel dans la piscine

⚠ CAUTION POUR TOUTES LES PISCINES RÉCEMMENT CONSTRUITES OU RESURFACÉES : ne pas utiliser le chlorinateur SC-75 sur une membrane de piscine récemment placée ou changée. Le sel est un élément corrosif et votre piscine peut subir des dégâts importants. Attendre au minimum UN (1) MOIS après la construction pour permettre à la membrane de reposer avec d'ajouter du sel et d'utiliser le chlorinateur SC-75. Veuillez suivre les instructions du fabricant de revêtement de piscine pour le cas particulier de votre piscine.

POUR LES PISCINES AVEC NOUVEAU REVÊTEMENT VINYLE, veuillez contacter le fabricant pour obtenir des recommandations avant d'ajouter du sel et d'utiliser le chlorinateur SC-75.

1. Vérifier le taux de sel dans l'eau de piscine avant d'en ajouter.
2. Déterminer la quantité de sel à partir des tableaux suivants.
3. Verser lentement le sel autour du périmètre extérieur de la piscine, pour une distribution rapide et égale.
 - a. Pour éviter de boucher le filtre ou d'endommager les équipements de piscines et les surfaces environnantes, ne pas ajouter de sel par l'écumeur ou le vase d'expansion.
4. Brosser le fond de la piscine et faire circuler l'eau pendant 24 heures pour dissoudre complètement le sel.
5. Après 24 heures, vérifier les taux de sel en consultant les témoins LED sur le chlorinateur à sels SC-75 et en utilisant une méthode indépendante fiable.
6. Mettre le chlorinateur à sels SC-75 en marche et régler le niveau de production du doseur de manière adéquate afin de maintenir les niveaux de chlore libre adéquats dans l'eau de piscine (entre 2,0 et 4,0 ppm, niveau recommandé par l'APSP, par exemple).

Préparation de l'eau de piscine

Déterminer la taille de la piscine (litres d'eau de contenance)

- **Piscines rectangulaires :** longueur x largeur (mètres) x profondeur moyenne x 1000
- **Piscines circulaires :** diamètre x diamètre x profondeur moyenne x 785
- **Piscines ovales :** longueur x largeur (mètres) x profondeur moyenne x 893
- **Parois inclinées :** multiplier les litres totaux par 0,85 = capacité en litres.

⚠ CAUTION Ne jamais utiliser d'acide sec (sulfate acide de sodium) pour ajuster le pH dans les régions géographiques arides où l'évaporation est importante et l'eau de piscine n'est que peu diluée par de l'eau douce. Une accumulation de sous-produits peut endommager le chlorinateur SC-75.

TABLEAU 1. Poids approximatif en livres (lbs) / kilogrammes (kg) de sel nécessaire pour obtenir 3400 ppm dans une piscine

CHART FOR ADDITION OF SALT TO 3400														
Pool Litres		0 ppm	250 ppm	500 ppm	750 ppm	1000 ppm	1250 ppm	1500 ppm	1750 ppm	2000 ppm	2250 ppm	2500 ppm	2800 ppm	3000 ppm
37,800	lbs	284.00	263.12	242.24	221.35	200.47	179.59	158.71	137.82	116.94	96.06	75.18	50.12	33.1
	kg	128.82	119.35	109.88	100.41	90.93	81.46	71.99	62.52	53.04	43.57	34.10	22.73	15.16
45,400	lbs	340.80	315.74	290.68	265.62	240.56	215.51	190.45	165.39	140.33	115.27	90.21	60.14	40.09
	kg	154.59	143.22	131.85	120.49	109.12	97.75	86.39	75.02	63.65	52.29	40.92	27.28	18.19
53,000	lbs	397.60	368.36	339.13	309.89	280.66	251.42	222.19	192.95	163.72	134.48	105.25	70.16	46.78
	kg	180.35	167.09	153.83	140.57	127.31	114.05	100.78	87.52	74.26	61.00	47.74	31.83	21.22
60,600	lbs	454.40	420.99	387.58	354.16	320.75	287.34	253.93	220.52	187.11	153.69	120.28	80.19	53.46
	kg	206.12	190.96	175.80	160.65	145.49	130.34	115.18	100.03	84.87	69.72	54.56	36.37	24.25
68,100	lbs	511.20	473.61	436.02	398.44	360.85	323.26	285.67	248.08	210.49	172.91	135.32	90.21	60.14
	kg	231.88	214.83	197.78	180.73	163.68	146.63	129.58	112.53	95.48	78.43	61.38	40.92	27.28
75,700	lbs	568.00	526.24	484.47	442.71	400.94	359.18	317.41	275.65	233.88	192.12	150.35	100.24	66.82
	kg	257.64	238.70	219.76	200.81	181.87	162.92	143.98	125.03	106.09	87.14	68.20	45.47	30.31
83,300	lbs	568.00	526.24	484.47	442.71	400.94	359.18	317.41	275.65	233.88	192.12	150.35	100.24	66.82
	kg	257.64	238.70	219.76	200.81	181.87	162.92	143.98	125.03	106.09	87.14	68.20	45.47	30.31
90,900	lbs	681.60	631.48	581.36	531.25	481.13	431.01	380.89	330.78	280.66	230.54	180.42	120.28	80.19
	kg	309.17	286.44	263.71	240.97	218.24	195.51	172.77	150.04	127.31	104.57	81.84	54.56	36.37
106,000	lbs	795.20	736.73	678.26	619.79	561.32	502.85	444.38	385.91	327.44	268.96	210.49	140.33	93.55
	kg	360.70	334.18	307.66	281.14	254.61	228.09	201.57	175.05	148.52	122.00	95.48	63.65	42.44
113,600	lbs	852.00	789.35	726.71	664.06	601.41	538.76	476.12	413.47	350.82	288.18	225.53	150.35	100.24
	kg	386.47	358.05	329.63	301.22	272.80	244.38	215.97	187.55	159.13	130.72	102.30	68.20	45.47

TABLEAU 2. Quantité approximative de stabilisateur (acide cyanurique) pour obtenir 40 ppm dans une piscine

Current Cyanuric Acid Level - ppm	10,000 g (38,000 L)	12,000 g (45,425 L)	14,000 g (53,000 L)	16,000 g (60,600 L)	18,000 g (68,137 L)	20,000 g (76,000 L)	22,000 g (83,300 L)	24,000 g (90,850 L)	26,000 g (98,421 L)	28,000 g (106,000 L)	30,000 g (134,000 L)
0	3.25 (1.47 kg)	3.90 (1.77 kg)	4.55 (2.6 kg)	5.20 (2.36 kg)	5.85 (2.65 kg)	6.50 (2.94 kg)	7.15 (3.24 kg)	7.80 (3.53 kg)	8.45 (3.83 kg)	9.10 (4.12 kg)	9.75 (4.42 kg)
10	2.43 (1.10 kg)	2.92 (1.32 kg)	3.40 (1.54 kg)	3.89 (1.76 kg)	4.37 (1.98 kg)	4.86 (2.20 kg)	5.35 (2.42 kg)	5.83 (2.64 kg)	6.32 (2.86 kg)	6.80 (3.08 kg)	7.29 (3.30 kg)
20	1.62 (0.73 kg)	1.94 (0.88 kg)	2.27 (1.03 kg)	2.59 (1.17 kg)	2.92 (1.32 kg)	3.24 (1.47 kg)	3.56 (1.61 kg)	3.89 (1.76 kg)	4.21 (1.91 kg)	4.54 (2.05 kg)	4.86 (2.20 kg)

REMARQUE : Le niveau d'acide cyanurique doit être maintenu entre 30 et 50 ppm.

Section 3

Fonctionnement du chlorinateur à sels SC-75™

Cette section décrit la procédure de démarrage et les instructions de fonctionnement concernant le chlorinateur à sels SC-75. Avant de démarrer le chlorinateur SC-75, la piscine dans laquelle il sera utilisé doit être terminée et remplie d'eau depuis au moins un (1) mois (pour les piscines à membrane) et le taux de sel dans l'eau doit être stable et maintenu entre 3300 et 3600 ppm.

Période de démarrage initial

Pendant les trente (30) premiers jours du fonctionnement de la cellule, le cycle d'auto-nettoyage est réglé en sortie d'usine à deux (2) heures. Au bout de trente (30) jours, le chlorinateur SC-75 se programmera automatiquement sur un cycle d'auto-nettoyage de trois (3) heures. Cette fonctionnalité nettoiera les lames du chlorinateur SC-75 plus souvent au cours de l'installation initiale, puis passera à un cycle d'auto-nettoyage standard pour maintenir la durée de vie des lames.

Fonctionnement

L'utilisation d'un timer de pompe de piscine externe n'est pas requise.

Le chlorinateur SC-75 est conçu pour fournir une quantité suffisante de chlore pour désinfecter l'eau de piscine quotidiennement. Si la pompe fonctionne en permanence et le chlorinateur SC-75 fonctionne 24h/24 à 100 %, la production de chlore sera supérieure aux niveaux requis par la plupart des piscines (2-4 ppm, selon les recommandations ASPSP). Le chlorinateur SC-75 possède son propre timer interne qui active et désactive la cellule selon le réglage du doseur.

CAUTION Le chlorinateur SC-75 est uniquement conçu pour produire du chlore. L'appareil ne contrôle pas les niveaux de chlore dans l'eau de piscine ou de spa. Il incombe au propriétaire de la piscine de contrôler et de maintenir les niveaux de chlore libre entre 2,0 et 4,0 ppm, selon les recommandations de APSP. Il incombe au propriétaire de la piscine de vérifier le niveau de chlore libre pendant que la pompe de piscine fonctionne et de régler la production du doseur en conséquence.

CAUTION Avant de faire fonctionner le chlorinateur SC-75, veuillez vous référer aux « Recommandations et précautions générales », à la fin de cette section, et au paragraphe « Préparation de l'eau de piscine », dans la section précédente. Par ailleurs, ne pas régler le doseur au-dessus de 20 % tant qu'il est n'est pas certain que le sel s'est bien dissous dans votre piscine. Son utilisation sans sel provoquera l'arrêt de l'appareil et l'éclairage du témoin lumineux AJOUTER DU SEL sur l'affichage du sel. Aucun chlore ne sera produit tant que du sel ne sera pas ajouté.

Si vous utilisez un timer de pompe de piscine

L'Association of Pool and Spa Professionals (APSP) recommande la circulation de toute l'eau d'une piscine résidentielle dans le système de filtration, au moins une fois toutes les 24 heures (ceci est appelé la rotation de l'eau de piscine). Toutefois, divers facteurs ont un effet sur les temps de fonctionnement réels du filtre et de la pompe. La taille de la piscine, la source de l'eau, la lumière directe du soleil, la situation en intérieur/extérieur, la présence ou l'absence de protection, le système de filtration, les températures chaudes ou froides, le nombre de nageurs, la pluie, les débris organiques, les algues, etc. sont tous des facteurs contribuant à l'augmentation ou la diminution des temps de fonctionnement du système de la pompe et du filtre. En raison de ces différences, il est extrêmement difficile d'établir un temps de fonctionnement standard initial (point de départ) pour la pompe de piscine et le système de chloration.

Essayer de régler initialement le timer de pompe de piscine sur douze (12) heures. Il faudra quelques jours pour atteindre le temps de fonctionnement adéquat de la pompe de piscine. Lorsque le chlorinateur SC-75 est relié à un timer de pompe de piscine, les résultats varieront beaucoup d'une installation de piscine à une autre, c'est pourquoi il est préférable d'en parler à votre pisciniste. Les points clé sont :

- Faire fonctionner la pompe de piscine au moins pendant le temps minimal nécessaire à une bonne filtration et une production de chlore adéquate par le chlorinateur SC-75, selon les recommandations de votre pisciniste.
- Si les timers de pompe de piscine peuvent réduire la consommation d'énergie, la pompe de piscine doit fonctionner pour que le chlorinateur à sels SC-75 puisse produire du chlore et doit fonctionner assez longtemps pour maintenir des niveaux corrects de chlore (soit 2,0 - 4,0 ppm de chlore libre disponible).

Remarque : exception lors de températures froides : l'appareil s'éteint lorsque la température de l'eau passe en-dessous de 12°C, et ne produit pas de chlore. Cette fonctionnalité rallonge la durée de vie de la cellule.

Procédure de démarrage (super chloration)

La super chloration est recommandée avant de débiter l'utilisation de la piscine. Débiter avec de l'eau de piscine propre et correctement chlorée, dès le départ. Le chlorinateur SC-75 produira un niveau suffisant de chlore pour l'assainissement, en plusieurs heures. Cependant, si l'eau de piscine nécessite beaucoup de chlore dès le début, le chlorinateur SC-75 ne sera pas en mesure d'en produire suffisamment pour atteindre le niveau de chloration maximal. Il est donc préférable de super chlorer à l'aide d'une source extérieure, au moment de débiter l'utilisation de la piscine. Il suffit ensuite d'attendre que le niveau de chlore soit retombé à 2,0 - 4,0 ppm avant de passer au chlorinateur SC-75.

Réglages et ajustements du doseur

- Allumer la pompe de piscine ou le timer de pompe de piscine L'affichage du taux de sel fera clignoter les deux LED (de bas en haut) pendant deux (2) minutes, indiquant qu'il n'a pas encore vérifié le taux de sel. Après deux (2) minutes, le sel sera vérifié et l'un (1) des témoins indicateurs du taux de sel s'allumera. Si la salinité est inférieure à 2600 ppm, l'affichage du sel éclairera l'indicateur rouge FAIBLE NIVEAU DE SEL, et le témoin de CELLULE s'éteindra, indiquant qu'il n'y a pas assez de sel dans la piscine pour produire du chlore.
- Programmer la production du doseur sur « MED » en appuyant sur le bouton PLUS ou MOINS.
- Après 24 heures, utiliser une méthode de test fiable pour détecter le chlore libre dans l'eau de la piscine. La plage idéale à maintenir est de 2,0 à 4,0 ppm. Si le niveau de chlore libre dans l'eau de la piscine est trop faible, augmenter la production de chlore en appuyant sur le bouton PLUS. Si le niveau de chlore libre dans l'eau de la piscine est trop élevé, diminuer la production de chlore en appuyant sur le bouton MOINS.
- En raison de demandes variables de chlore libre selon les piscines, déterminer le nombre d'heures journalières de fonctionnement et le pourcentage de « production du doseur » pour votre piscine peut prendre quelques jours. Continuez à ajuster autant que nécessaire, laissant un intervalle de 24 heures entre deux réglages, jusqu'à ce que le niveau de chlore libre se stabilise à 2,0 - 4,0 ppm, selon les recommandations APSP.

Fonctionnement en hiver

Le chlorinateur à sels SC-75 s'éteint et ne produit plus de chlore par des températures d'eau inférieures à 12°C. Cette fonctionnalité rallonge la durée de vie du chlorinateur SC-75. Voir « Hivérissation ».

Recommandations générales

- Lire puis conserver ce guide d'installation et d'utilisation dans un lieu sûr.
- Augmenter le niveau de production du doseur autant que nécessaire après une épisode de forte pluie (piscines extérieures), puis revenir ensuite à un réglage normal.
- Augmenter le niveau de production du doseur lorsque la température de l'air et de l'eau augmentent.
- Augmenter le niveau de production du doseur lorsque le nombre d'utilisateurs de la piscine augmente.
- N'utiliser de l'acide cyanurique QUE si nécessaire, pour stabiliser le chlore dans l'eau de piscines extérieures.

REMARQUE : NE PAS UTILISER D'ACIDE CYANURIQUE DANS LES PISCINES INTÉRIEURES.

- Il est recommandé d'apporter un échantillon d'eau de piscine à votre pisciniste une fois par mois, pour une analyse complète.

Précautions générales

- Ne pas mettre d'engrais dans votre piscine. Les engrais contiennent des nitrates, qui consomment beaucoup de chlore.
- Ne jamais utiliser d'acide sec pour ajuster le pH dans les régions géographiques arides où l'évaporation est importante et l'eau de piscine n'est que peu diluée par de l'eau douce. Une accumulation de sous-produits peut endommager le chlorinateur SC-75.
- N'ajouter des agents chimiques pour l'équilibre de l'eau de piscine (sel inclus) que lorsque le chlorinateur SC-75 est éteint.
- Ne pas laisser le niveau d'acide cyanurique passer en-dessous de 30 ppm dans les piscines extérieures.

REMARQUE : NE PAS UTILISER D'ACIDE CYANURIQUE DANS LES PISCINES INTÉRIEURES.

Section 4

Maintenance utilisateur

Cette section décrit la procédure de maintenance du chlorinateur à sels SC-75.

Entretien journalier

Aucun entretien journalier requis.

Entretien hebdomadaire

1. Test de niveau de pH : tester le niveau de pH de l'eau de votre piscine à l'aide d'une méthode fiable. Si nécessaire, procéder à des ajustements selon les recommandations de votre pisciniste. La quantité de pH recommandée par l'APSP est de 7,4 à 7,6, bien qu'une quantité comprise entre 7,2 et 7,8 soit acceptable, selon les recommandations de l'APSP.

Remarque : ne jamais utiliser d'acide sec (sulfate acide de sodium) pour ajuster le pH dans les régions géographiques arides où l'évaporation est importante et l'eau de piscine n'est que peu diluée par de l'eau douce. Une accumulation de sous-produits peut endommager le chlorinateur SC-75.

2. Test d'alcalinité totale : tester l'eau de la piscine pour une alcalinité totale à l'aide d'une méthode de test fiable. Procéder à des ajustements selon les recommandations de votre pisciniste. Le taux d'alcalinité totale recommandé par l'APSP est de 80 à 120 ppm.

3. Test de chlore : vérifiez le niveau de chlore dans l'eau de la piscine, à l'aide d'une méthode fiable. Maintenir un taux idéal en réglant les paramètres de production du doseur du chlorinateur à sels SC-75. Voir « Boutons de production Plus et Moins ».

- a. Le niveau de chlore souhaité est de 2,0-4,0 ppm, selon les recommandations APSP.
- b. Un niveau de chlore supérieur à 4,0 ppm peut entraîner une corrosion excessive des composants métalliques et causer des dégâts potentiels aux équipements de piscine.
- c. Il est recommandé de prendre les mesures de chlore libre sur des échantillons d'eau piscine prélevés en deux (2) endroits, l'un au niveau de la conduite de retour et l'autre à l'opposé. Comparer les résultats des tests. Un niveau plus élevé de chlore libre devrait être trouvé dans la conduite de retour de la piscine. Le niveau plus élevé de chlore libre au niveau de la conduite de retour de la piscine indique que le chlorinateur à sels SC-75 produit bien du chlore.

Entretien mensuel

Pour assurer un équilibre chimique correct dans votre piscine, il est important d'effectuer les tests d'eau de piscine recommandés suivants, chaque mois, à l'aide d'une méthode fiable.

1. Test du taux de sel : vérifier les témoins lumineux de sel sur l'appareil et vérifier que le témoin lumineux vert « BON » soit allumé et ne clignote pas.

- a. Si le témoin rouge FAIBLE est allumé. Ajouter du sel à l'eau de la piscine
- b. Si le taux de sel n'augmente pas après 24 heures, veuillez consulter la rubrique « Dépannage ».

2. Échantillon d'eau de piscine : apporter un échantillon d'eau de piscine à votre pisciniste pour qu'il soit testé.

3. Acide cyanurique : prélever un échantillon d'eau de piscine et vérifier le niveau d'acide cyanurique à l'aide d'une méthode fiable. Lors de l'utilisation du chlorinateur à sels SC-75, le niveau recommandé d'acide cyanurique est de 30-50 ppm.

4. Dureté du calcium : vérifier la dureté du calcium de l'eau de piscine à l'aide d'une méthode fiable. Si nécessaire, procéder à des ajustements selon les recommandations de votre pisciniste. Le niveau de calcium recommandé par l'APSP est de 200 à 400 ppm, pour les piscines.

5. Test de métaux : il est recommandé de prélever un échantillon d'eau de piscine et de le vérifier périodiquement la présence de métaux tels que le cuivre, le fer et le manganèse. Ces métaux peuvent endommager le chlorinateur à sels SC-75 et les autres équipements de piscine. Ils ne devraient pas être présents dans l'eau de la piscine. Si ces métaux sont présents, contactez votre pisciniste.

6. TDS (Solides totaux dissous) : vérifier le niveau de TDS en utilisant un kit de test ou en faisant tester un échantillon d'eau par un pisciniste. Si nécessaire, procéder à des ajustements selon les recommandations de votre pisciniste. La norme APSP de 3000 ppm minimum) 5700 - 6000 ppm maximum (sel compris) est recommandée pour les piscines d'eau salée.

Compteur d'heures d'utilisation du chlorinateur à sels SC-75™

Le chlorinateur SC-75 est doté d'un compteur des « heures d'utilisation » intégré, indiquant le nombre d'heures d'utilisation du chlorinateur SC-75.

Pour accéder au mode statut du système :

1. Appuyer longuement sur le bouton PLUS pendant trois (3) secondes, jusqu'à ce que les témoins lumineux défilent.
2. L'un (1) des trois (3) témoins lumineux LED de production du doseur (Faible, Moy, Élevé) s'éclairera, indiquant le nombre d'heures d'utilisation. Les témoins de production sont les suivants :
 - 2000 heures (LED Faible éclairée)
 - 4000 heures (LED Moy éclairée)
 - 6000 heures (LED Élevé éclairée)

Nettoyer les lames de la cellule SC-75

Remarque : avant le lavage à l'acide, éliminer l'accumulation de calcium dans la cellule : utiliser un tuyau d'arrosage en mode jet et arroser directement les deux extrémités de la cellule. La plupart de cette accumulation de calcium n'est pas totalement solide et sera évacuée de la cellule. Une fois la majorité du calcium éliminée, continuer avec le lavage à l'acide qui sera désormais plus efficace puisque la plupart du calcium a été enlevée.

1. Nettoyage automatique : le chlorinateur SC-75 possède une fonctionnalité de nettoyage de la lame de la cellule (inversion de la cellule) contribuant à éliminer les dépôts de tartre des lames du chlorinateur SC-75. **Remarque :** le nettoyage automatique n'interrompt pas la production de chlore. Le « tartre » est un dépôt blanc et solide qui se forme dans de l'eau trop dure ou dans de l'eau de piscine déséquilibrée en conditions d'entartrage. Si les lames SC-75 sont trop entartrées, il faut effectuer un lavage à l'acide. Passer à « Lavage à l'acide », étape 2.

2. Lavage à l'acide : si les lames SC-75 ont tendance à s'entartrer, il est recommandé de démonter le chlorinateur SC-75 tous les deux (2) mois et de rechercher la formation de tartre et/ou des débris sur les lames SC-75. Les régions avec une dureté importante peuvent nécessiter un nettoyage plus fréquent. Certains filtres laissent passer les débris dans le chlorinateur SC-75, qui peuvent se loger entre les lames du chlorinateur SC-75. La formation d'une petite quantité de chlore est normale. Si en observant le chlorinateur SC-75, vous observez qu'une accumulation excessive de tartre se forme entre les lames ou que des débris sont présents, le chlorinateur SC-75 doit être nettoyé comme indiqué ci-après :

Utiliser un jet d'eau haute pression d'un tuyau d'arrosage. Si les lames ne peuvent pas être raisonnablement nettoyées de cette façon, un nettoyage à l'acide est nécessaire.

NETTOYER LES LAMES SC-75™ À L'ACIDE :

1. Déconnecter le courant CA du centre d'alimentation. Déconnecter le câble de communication de la cellule du chlorinateur à sels SC-75 du centre d'alimentation.
2. Mélanger une (1) mesure d'acide avec une (1) mesure d'eau du robinet dans un seau en plastique.
3. Immerger les lames dans cette solution sans y exposer le panneau de commande ou les câbles.
4. Laisser la solution mousser et nettoyer les lames.

L'acide ne devrait être que dans le chlorinateur SC-75, couvrant les lames. Ne pas renverser d'acide sur la partie extérieure du chlorinateur SC-75. Si de l'acide est renversé sur la partie extérieure du chlorinateur SC-75, rincer à l'eau. Une réaction moussante va commencer, causée par la dissolution du tartre (carbonate de calcium) sur les lames. Si une importante réaction moussante ne débute pas, les lames n'ont pas besoin d'être nettoyées (ARRÊTER LE PROCESSUS DE NETTOYAGE - passer à l'étape suivante). Sinon, laisser les lames immergées dans la solution jusqu'à ce que la réaction moussante s'arrête. Cependant, ne pas laisser de l'acide dans le chlorinateur SC-75 pendant plus de trente (30) minutes. Un lavage excessif à l'acide endommagera les lames.

5. Retirer le chlorinateur SC-75 du seau et le placer dans un seau vide d'une contenance de 20 litres. Rincer consciencieusement l'intérieur et l'extérieur du chlorinateur SC-75 avec de l'eau propre, puis inspecter. Si des dépôts sont toujours visibles, répéter le processus de lavage à l'acide.
6. Rincer à nouveau le chlorinateur SC-75 avec de l'eau propre et inspecter. Une fois propre, remplacer le chlorinateur SC-75 et reprendre un fonctionnement normal.
7. Si la procédure de lavage à l'acide est nécessaire, il est recommandé de faire analyser un échantillon d'eau de piscine par un pisciniste, à la recherche d'une dureté de calcium excessive (la valeur idéale est entre 200 et 400 ppm) et/ou d'un équilibre incorrect de l'eau.
8. Inspecter l'intérieur du chlorinateur SC-75 tous les deux (2) mois (ou plus souvent dans les zones à eau dure). Si aucun tartre ni débris ne sont observés dans le chlorinateur SC-75 après quatre (4) mois, il n'est plus nécessaire de continuer les inspections tous les deux (2) mois. Toutefois, à cause de changements possibles des propriétés chimiques de l'eau de piscine et de l'efficacité du filtrage, il est recommandé de démonter la cellule pour inspection au moins deux fois par an.
9. Reconnecter la prise du câble de communication SC-75 sur le centre d'alimentation, puis reconnecter le courant CA au centre d'alimentation.

Hivérisation

Une faible production de chlore est requise dans l'eau froide tant que les niveaux de chlore libre sont maintenus entre 2.0 - 4.0 ppm. Le chlorinateur à sels SC-75 s'éteint et ne produit plus de chlore par des températures d'eau inférieures à 12°C. Cette fonctionnalité d'extinction par températures basses rallonge la durée de vie de la cellule. Si des mesures préventives ne sont pas prises, de l'eau gelée peut gravement endommager la cellule. Éviter les dégâts dus au gel sur la cellule en faisant fonctionner continuellement la pompe de piscine ou hivériser la piscine en évacuant l'eau de la pompe, du filtre et de toutes les conduites d'admission et de retour. Démonter la cellule, la nettoyer et la ranger.

Section 5

Installation

Cette section décrit l'installation du chlorinateur à sels SC-75 sur le système de plomberie de la piscine. Avant l'installation, revoir le contenu du kit SC-75 et les outils requis.

Remarque : pour connaître les instructions d'installation du centre d'alimentation, voir le « Guide d'installation du centre d'alimentation SC-75 »

Remarque : le sel n'est pas fourni. Pour plus de détails sur le type de sel à utiliser, voir « Quel type de sel utiliser ».

Outils requis

- Mètre à ruban
- Tournevis cruciforme et plat
- Pincettes et scie à métaux
- Un apprêt de nettoyage tout emploi approuvé NSF®PVC/CPVC/ABS
- Un ciment tout emploi approuvé NSF®PVC/CPVC/ABS

⚠ WARNING Lors de l'utilisation de produits électriques, prenez toujours des précautions de sécurité élémentaires, notamment :



DANGER : RISQUE DE CHOC ÉLECTRIQUE POUVANT CAUSER DE SÉRIEUSES BLESSURES, VOIRE LA MORT.

Avant d'installer l'appareil, s'assurer que toute l'alimentation du circuit alimentant le système est déconnectée/ éteinte au niveau du disjoncteur. Il est recommandé de connecter le centre d'alimentation SC-75 à un circuit protégé par un disjoncteur de fuite à la terre.

- La mise à la terre est requise. L'appareil doit être installé par une personne qualifiée, et mis à la terre.
- Installer de façon à permettre l'accès aux boutons de la cellule et au centre d'alimentation.
- Lire les précautions de sécurité et les instructions importantes. Avant d'effectuer tout branchement électrique, lire et suivre les instructions de sécurité. Le câblage ne doit être effectué que par un professionnel qualifié.
- Installer le chlorinateur SC-75 à une distance minimale de 1 mètre de la sortie du radiateur.
- Raccords de tuyau : modèle 80, pression maximale 5 Bar (75 psi) à 21°C -Tuyau PVC 50 mm
- Utiliser l'appareil avec un flux minimal de 6m³/h. Pour les applications à flux important, utiliser un by-pass pour une meilleure détection du flux.
- Laisser au moins 30 à 45 cm de tuyau droit devant l'entrée de la cellule.

Installer l'ensemble cellule SC-75

Installer l'ensemble cellule SC-75 à une distance minimale de 900 mm de la sortie de radiateur, le cas échéant.

Remarque : pour obtenir un meilleur flux, laisser au moins 300 à 450 mm de tuyau droit devant l'entrée de la cellule.

Remarque : Raccords de tuyau : modèle 80, pression maximale 5 Bar (75 psi) à 21°C

Installer la cellule SC-75 :

1. Avec la colle PVC, installer les raccords PVC sur les tuyaux de plomberie. Laisser la colle sécher.
2. Monter la cellule de manière à pouvoir accéder au panneau de commande. Installer la cellule sur les raccords.
3. S'assurer que les joints toriques sont bien installés.
4. Allumer la pompe et inspecter visuellement les fuites autour des raccords.

Connecter le câble d'alimentation de la cellule au centre d'alimentation.

Une fois l'installation de la cellule terminée, connecter le câble d'alimentation au centre d'alimentation :

⚠ WARNING Couper le courant alimentant le centre d'alimentation avant de procéder aux connexions

1. S'assurer que l'alimentation CA est coupée avant de connecter le cordon secteur au centre d'alimentation.
2. Aligner les quatre (4) broches du connecteur de cordon secteur de la cellule avec la prise au bas du centre d'alimentation, puis insérer le connecteur. Tourner l'écrou rond de la prise pour bloquer le connecteur en place.



Écrou de prise de connecteur

Pour l'ensemble cellule

Utiliser les informations de dépannage suivantes pour résoudre les problèmes éventuels du chlorinateur à sels SC-75.

Remarque : couper le courant de l'appareil avant de tenter un entretien ou une réparation. Toujours couper l'alimentation CA du centre d'alimentation lors du branchement ou du débranchement de la cellule SC-75 sur le centre d'alimentation.

Problème	Cause probable	Solution
Faible niveau ou absence de chlore	Faible niveau de stabilisateur (acide cyanurique) dans l'eau de piscine (piscines extérieures uniquement).	N'ajouter de l'acide cyanurique aux piscines extérieures que pour maintenir 30 -50 ppm, selon les recommandations de votre pisciniste. Voir le Tableau de stabilisateur.
	Heures de fonctionnement insuffisantes du chlorinateur SC-75	Augmenter la plage de fonctionnement journalière du chlorinateur SC-75.
	Pourcentage de production du doseur trop faible ou de 0 %	Augmenter la production du doseur en appuyant sur le bouton PLUS.
	Augmentation récente de la température de l'air sans augmentation de la production du doseur SC-75	Augmenter la production du doseur en appuyant sur le bouton PLUS.
	Diminution temporaire de chlore due à la présence de lourdes charges organiques, de pluie, de feuilles, d'engrais ou d'un nombre important de baigneurs, d'une fête récente ou d'animaux dans la piscine.	Passer en mode « Boost » pendant 24 heures. Revérifier puis, si le niveau est toujours trop bas, super chlorer à l'aide d'une source extérieure. (Apporter un échantillon d'eau de piscine à votre pisciniste).
	Faible niveau (moins de 2600 ppm) de sel dans l'eau de piscine, empêche la production de chlore.	Observer les témoins lumineux de taux de sel. Voir « LED de statut de taux de sel ».
	Niveau élevé de nitrates et phosphates	Consulter votre pisciniste.
	Métaux présents dans l'eau de piscine.	Consulter votre pisciniste.
	Nouvelle eau de piscine ou traitée de façon insuffisante au départ.	Super chlorer la piscine. Voir « Procédure de démarrage (super chloration) »
Cellule bouchée ou encrassée.	Démonter la cellule pour inspection. Nettoyer si nécessaire.	
La LED rouge de taux de sel est éclairée.	L'eau de piscine a besoin de sel. Aucun chlore n'est produit.	Ajouter du sel pour atteindre 3400 ppm.
LED jaune de taux de sel éclairée et LED verte de CELLULE clignotante	Le taux de sel dans l'eau de la piscine est faible et doit être inspecté.	Vérifier le taux de sel, en ajouter si nécessaire pour atteindre un BON niveau. Laisser le sel se mélanger à l'eau pendant 24 heures. Si le témoin CELLULE clignote toujours après 24 heures, démonter et inspecter la cellule. La nettoyer si nécessaire.
LED verte de niveau de SEL clignotante	Trop de sel dans l'eau. Peut endommager les équipements de piscine et les surfaces environnantes.	Diluer l'eau de piscine en évacuant un peu d'eau, puis en rajoutant de l'eau douce.
La LED CELLULE est rouge.	La température de l'eau est inférieure à 12°C.	La température de l'eau doit être supérieure à 12°C pour produire du chlore.
La LED CELLULE ne s'éclaire pas.	La production de chlore est établie à 00 %.	Régler la PRODUCTION DE CHLORE au pourcentage désiré.
	Débit d'eau insuffisant. La cellule est bouchée par des débris, la pompe a perdu de la puissance.	Enlever l'obstruction et/ou nettoyer la cellule. Amorcer la pompe si nécessaire.
	Taux de sel inférieur à 2600 ppm.	Ajouter du sel.
La LED CELLULE clignote en vert.	Vérifier le taux de sel.	Ajouter du sel si nécessaire pour maintenir le taux minimal de 3400 ppm.
	La cellule est obstruée par une accumulation de calcium et doit être nettoyée.	Se référer à la procédure de maintenance pour le lavage/nettoyage à l'acide. Voir « Maintenance utilisateur »
	Vérifier les propriétés chimiques de l'eau et son équilibre. REMARQUE : les contenus métalliques devraient valoir 0 ppm.	Éliminer les métaux de l'eau à l'aide d'une solution chimique.

Garantie limitée : 2 ans

Pour plus d'informations : www.pentairpooleurope.com

Dépannage (suite)

Problème	Cause probable	Solution
La LED de DÉBIT est rouge.	La pompe ne fournit pas un débit d'eau suffisant.	Vérifier le fonctionnement correct de la pompe. Rechercher une perte de puissance ou un panier filtre bouché.
	Vannes fermées.	Vérifier et corriger les alignements de toutes les vannes.
	Filtre encrassé.	Suivre les procédures de nettoyage du filtre.
	Obstruction de la cellule du chlorinateur	Démonter la cellule pour inspection. Suivre les procédures de nettoyage. Voir « Nettoyage de la cellule électrolytique ».
L'appareil SC-75 n'est pas alimenté.	Un fusible du centre d'alimentation est ouvert.	Remplacer le fusible CA, situé au bas du centre d'alimentation.
	Pas d'alimentation CA au centre d'alimentation.	Vérifier que le timer alimente le centre d'alimentation en CA 220 V, lorsqu'il est actif.
	Fils de sortie du transformateur mal connectés au centre d'alimentation.	Vérifier les fils de sortie du transformateur branchés sur la source CA en vous référant au schéma de câblage collé à l'intérieur du couvercle du centre d'alimentation.

Spécifications système - 230 V CA

Protection circuit : dispositif deux pôles 20 AMP sur le panneau électrique.

Modèle SC-75P (Alimentation)

Entrée : 50Hz, 220-240 VAC, 220 W, 1 Amp.

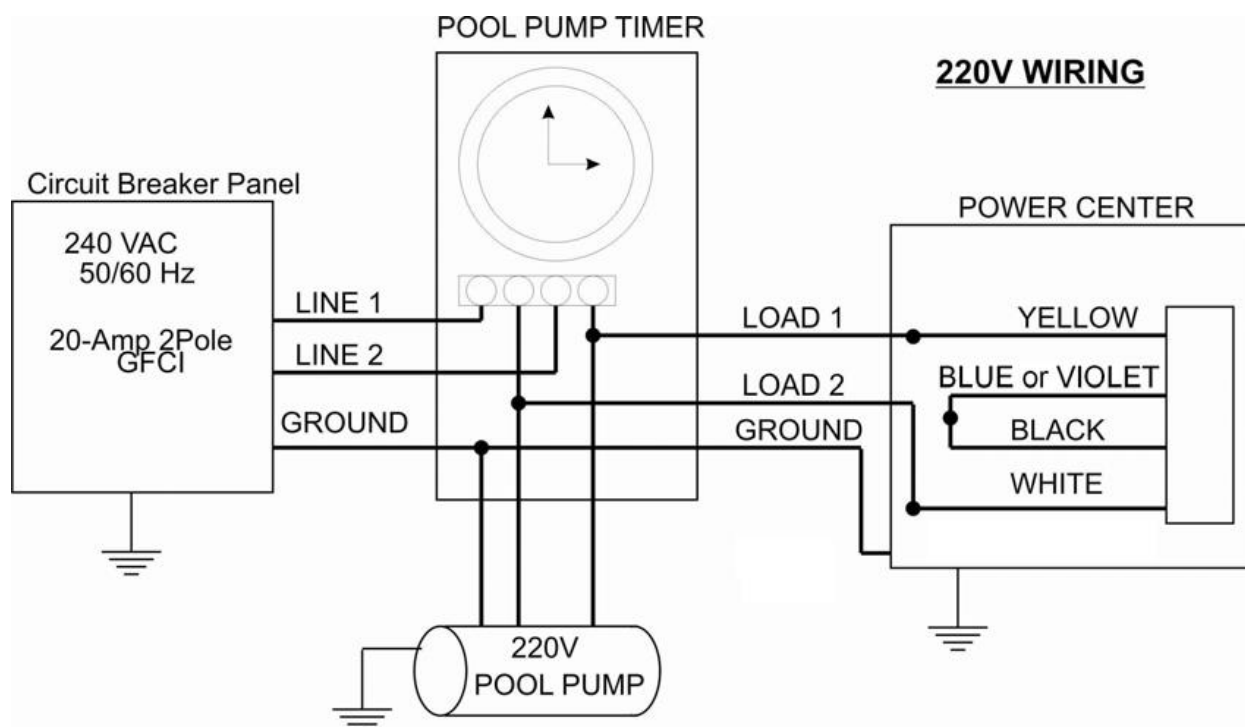
Sortie : 28 VAC à 5,2 Amp Max.

Débit d'eau : 6m³/h (25G PM) - Débit max : 24m³/h (105 GPM) - Pression max : 5 Bar (75 PSI)

Instructions câblage CA SC-75 :

- Lors de l'utilisation du chlorinateur à sels SC-75 et d'une pompe IntelliFlo (ou pompe à vitesse variable) avec un Système d'automatisation Pentair IntelliPool, veuillez lire le Manuel d'installation IntelliPool Section « Connexion désinfectant - chlorinateur à sels alternatif ».

Lors de l'utilisation du chlorinateur à sels SC-75 avec le « Gestionnaire de filtration Pentair ControlPro » et une pompe à vitesse variable, veuillez lire le manuel d'instruction « Gestionnaire de filtration Pentair ControlPro ».





Atención al cliente

HERENTALS, BÉLGICA (de 8:30 a.m. a 4:30 p.m.) HCE
Sitio web : www.pentairpooleurope.com
Correo electrónico: poolemea@pentair.com

Declaración de conformidad

Declaramos, bajo nuestra exclusiva responsabilidad, que el producto identificado en esta declaración, y al que se refiere esta declaración, cumple con las normativas de protección de la Directiva 2006/42/CE.



El fabricante, Pentair, tiene derecho a modificar los productos sin previo aviso siempre y cuando no modifique realmente sus características.

© 2015 Pentair, Inc. Todos los derechos reservados. Este documento está sujeto a cambios sin previo aviso.

Marcas comerciales y exenciones de responsabilidad: todas las marcas comerciales y logotipos de Pentair son propiedad de Pentair, Inc. Sta-Rite™, SC-75™, IntelliPool®, ControlPro™, Rainbow®, Eco Select® y Pentair Aquatic Systems™ son marcas comerciales de Pentair Inc. y/o de sus sociedades filiales en los Estados Unidos u otros países. Salvo que se indique lo contrario, los nombres y marcas de terceros que figuran en este documento no se utilizan para indicar una afiliación o aprobación entre los propietarios de estos nombres y marcas y Pentair Inc. Esos nombres comerciales y marcas pueden ser marcas comerciales o marcas registradas de estas terceras partes.

⚠ DANGER El incumplimiento de las instrucciones de este manual puede provocar efectos negativos graves para la salud e incluso lesiones graves o mortales. El incumplimiento de las instrucciones de este manual invalidará todas las garantías y la responsabilidad por parte del fabricante. ANTES DE UTILIZAR ESTE CLORADOR SALINO, LOS INSTALADORES, OPERADORES Y PROPIETARIOS DEBEN LEER ESTAS ADVERTENCIAS Y LAS INSTRUCCIONES DEL MANUAL DEL PROPIETARIO. ESTAS ADVERTENCIAS Y EL MANUAL DEL PROPIETARIO DEBEN PERMANECER SIEMPRE EN PODER DEL PROPIETARIO.

INSTRUCCIONES DE SEGURIDAD Y ADVERTENCIAS IMPORTANTES



Aviso importante:

⚠ WARNING Atención instalador: esta guía contiene información importante sobre la instalación, el funcionamiento y el uso seguro de este producto. Se debe proporcionar esta información al dueño y/u operador del equipo tras la instalación del clorador salino.

Atención usuario: este manual contiene información importante que le ayudará a utilizar y mantener este clorador salino. Por favor, consérvelo para futuras consultas. Consulte a Pentair cualquier duda relacionada con este equipo.

Antes de instalar este producto, lea y cumpla todos los avisos e instrucciones que incluye. No seguir las instrucciones ni prestar la debida atención a las advertencias puede ocasionar daños en la propiedad, lesiones graves y hasta la muerte. Visite www.pentairpooleurope.com para obtener ejemplares gratuitos de este manual de instrucciones.

Información para el consumidor y aspectos de seguridad

Este clorador salino está diseñado y fabricado para proporcionar muchos años de servicio seguro y fiable siempre que se instale, opere y mantenga siguiendo las instrucciones incluidas en este manual. A lo largo del mismo, las advertencias y precauciones relacionadas con la seguridad se indicarán con el símbolo “**⚠**”. Asegúrese de leer y cumplir todas las advertencias y precauciones.

⚠ WARNING Para reducir el riesgo de lesiones, no permita que los niños utilicen este producto. Las tareas de inspección y mantenimiento de este producto solo podrán ser realizadas por un profesional debidamente cualificado.

⚠ WARNING **SI EL CABLEADO ELÉCTRICO ES INCORRECTO, PUEDE PRODUCIRSE ACUMULACIÓN DE CLORO GASEOSO:** para reducir el riesgo de lesiones físicas, la caja de alimentación del clorador salino SC-75 debe instalarse y cablearse en el lado de carga del cronómetro, en un interruptor controlado electrónicamente o en el lado de carga del relé, de forma que reciba alimentación solo cuando la bomba de la piscina esté activada. De lo contrario, podría producirse una acumulación peligrosa de cloro gaseoso. La unidad nunca debe recibir alimentación cuando la bomba de la piscina esté apagada y no fluya agua a través de la unidad.

Nunca accione el clorador SC-75 sin una circulación o un flujo de agua adecuados. Una acumulación de gases inflamables dará lugar a situaciones peligrosas.

⚠ CAUTION El clorador salino SC-75 está previsto para ser utilizado en piscinas fijas y también se puede utilizar en bañeras de hidromasaje y spas si así está especificado. No se debe utilizar en piscinas portátiles o de acero. Una piscina fija está construida en o sobre el suelo, o dentro de un edificio, de manera que no se puede desmontar inmediatamente para su almacenamiento. Una piscina portátil está construida de manera que pueda desmontarse fácilmente para su almacenamiento, y que pueda volver a montarse posteriormente.

INSTRUCCIONES DE SEGURIDAD Y ADVERTENCIAS IMPORTANTES - CONTINUACIÓN

⚠ WARNING Cuando mezcle ácido con agua, **SIEMPRE AÑADA EL ÁCIDO AL AGUA. NUNCA AÑADA AGUA AL ÁCIDO.**

⚠ CAUTION El uso de productos químicos distintos a los recomendados puede resultar peligroso. Incluso el uso correcto de los productos químicos recomendados puede resultar peligroso. Siga las instrucciones del fabricante del producto químico correspondiente.

⚠ CAUTION Para reducir el riesgo de descarga eléctrica, instale el clorador salino SC-75 a una distancia mínima de 1,5 m de la pared interior de la piscina. Instale la unidad a una distancia mínima de 1 m de la salida del calentador.

⚠ WARNING La sal es un material esencialmente corrosivo. Aunque los niveles de sal necesarios para que el clorador salino SC-75™ funcione correctamente son relativamente bajos en comparación con el agua del mar u otras soluciones salinas, añadir cualquier cantidad de sal a la piscina incrementa las probabilidades de corrosión y otras formas de deterioro de los equipos de la piscina y de las superficies utilizadas en la piscina y en torno a ella. Las piezas metálicas (incluidas las piscinas metálicas) y algunas superficies naturales y artificiales son particularmente susceptibles a la corrosión y al deterioro cuando se utilizan en piscinas de agua salada y en torno a las mismas. Pentair Aquatic Systems ("Pentair") no manifiesta ni garantiza que el uso correcto del clorador salino SC-75 evite la corrosión o el deterioro del equipo de la piscina y de cualquier superficie del interior o los alrededores de su piscina. Consulte a un profesional de mantenimiento de piscinas con experiencia, que podrá asesorarle en la elección de los materiales correctos, las técnicas de instalación de estos materiales, así como el uso, cuidado y mantenimiento adecuados de dichos materiales para su tipo de piscina y emplazamiento, a fin de minimizar la corrosión y el deterioro inherentes al interior y los alrededores de las piscinas de agua salada.

Términos y condiciones de garantía limitada

Antes de instalar su SC-75, lea y entienda todas las advertencias y la información relativa a la seguridad y a la garantía que incluye este manual. No seguir las instrucciones o instalar el clorador salino inadecuadamente puede ocasionar daños al acabado de la piscina o al revestimiento de vinilo. Pentair Aquatic Systems no se hará responsable de las reparaciones o de la sustitución de ninguna de estas estructuras o componentes de la piscina del cliente.

Garantía limitada: 2 años

Más información: www.pentairpooleurope.com

Exención de responsabilidad - Acerca de su piscina y equipos

Existen múltiples factores que contribuyen a la longevidad de su piscina.

Por favor, tenga en cuenta que con el paso del tiempo es posible que se produzca deterioro, decoloración o fragilidad en los revestimientos de piscina, independientemente de o en combinación con el tiempo de uso, un desequilibrio en la química del agua, una instalación inadecuada y otros factores.

La misma situación se da en piscinas de revestimiento de vinilo que están enterradas, porque los revestimientos de vinilo también se ven afectados por el medio ambiente y por factores como la química del agua de la piscina, la luz solar y los alrededores de la piscina. Por lo tanto, con el paso del tiempo, el vinilo puede volverse frágil y débil. Además, las piscinas con revestimiento de vinilo se ven afectadas por la calidad, la composición e instalación del revestimiento y la calidad de la construcción de las paredes de contención y de la base de la piscina. Todos estos factores pueden contribuir al fallo del revestimiento. El fabricante no se hará responsable de las reparaciones ni de la sustitución de ninguna de estas estructuras o componentes de la piscina del cliente.

El propietario de la piscina es el único responsable de las condiciones y del mantenimiento de la superficie de la piscina, del agua y del borde.

Antes de instalar el clorador salino SC-75, por favor, tómese un momento para anotar el número de serie. Se le pedirá este número cuando contacte con el Departamento de soporte técnico.

Nº DE SERIE _____

DESCRIPCIÓN GENERAL DEL CLORADOR SALINO SC-75™

El clorador salino SC-75 emplea un proceso conocido como electrolisis para producir cloro gaseoso que se disuelve inmediatamente en una solución para crear ácido hipocloroso e hipoclorito, que desinfectan el agua de la piscina o spa añadiendo una baja concentración de sal al agua. Los ácidos hipoclorosos e hipoclorito matan las bacterias, oxidan el material orgánico y destruyen las algas, para posteriormente volver a convertirse en sal. El sistema SC-75 reutiliza la sal y el proceso empieza de nuevo. El sistema SC-75 se compone de una célula y de una caja de alimentación.

CAUTION El clorador salino SC-75 está exclusivamente diseñado para producir cloro. La unidad no supervisa ni controla los niveles de cloro del agua de la piscina o del spa. Es responsabilidad del propietario de la piscina supervisar y mantener los niveles de cloro libre dentro del intervalo recomendado por la APSP de 2,0 a 4,0 partes por millón (ppm). Es responsabilidad del propietario de la piscina comprobar regularmente el nivel de cloro libre durante el funcionamiento de la bomba de la piscina y ajustar en consecuencia el sistema SC-75.

WARNING La sal es un material esencialmente corrosivo. Aunque los niveles de sal necesarios para el correcto funcionamiento del clorador salino SC-75 son relativamente bajos en comparación con el agua marina y otras soluciones salinas, añadir cualquier cantidad de sal a su piscina aumenta las probabilidades de experimentar corrosión, u otros tipos de deterioro, en el equipo de la piscina y en cualquier superficie del interior y los alrededores de su piscina. Las piezas metálicas (incluidas las piscinas metálicas), y ciertas superficies naturales y artificiales, son especialmente susceptibles a la corrosión y al deterioro si se utilizan dentro y alrededor de piscinas de agua salada. Pentair Aquatic Systems ("Pentair") no manifiesta ni garantiza que el uso correcto del clorador salino SC-75 evite la corrosión o el deterioro del equipo de la piscina y de cualquier superficie del interior o los alrededores de su piscina. Consulte a un profesional de mantenimiento de piscinas con experiencia, que podrá asesorarle en la elección de los materiales correctos, las técnicas de instalación de estos materiales, así como el uso, el cuidado y el mantenimiento adecuados de dichos materiales para su tipo de piscina y emplazamiento, a fin de minimizar la corrosión y el deterioro inherentes al interior y los alrededores de las piscinas de agua salada.

CAUTION PARA PISCINAS DE YESO DE NUEVA CONSTRUCCIÓN O REVESTIMIENTO: no accione el SC-75 cuando el yeso esté recién echado. La sal es un elemento corrosivo y puede provocar daños en su piscina. Espere como mínimo UN (1) MES después de la construcción para que el yeso se endurezca antes de añadir sal y accionar el sistema SC-75. Siga las instrucciones del fabricante de la superficie de su piscina. PARA PISCINAS CON REVESTIMIENTO DE VINILO NUEVO: contacte con el fabricante para conocer las instrucciones antes de añadir sal y accionar el sistema SC-75.

Componentes del sistema SC-75

Un clorador salino SC-75 consta de uno o más de los siguientes elementos:

- **Célula Y1146:** diseñada para piscinas de hasta 90 m³. La célula produce el equivalente a 0,45 kg de cloro puro cada 24 horas de funcionamiento continuo de la bomba de la piscina.
- **SC-75P :** caja de alimentación. Proporciona alimentación eléctrica a la célula del sistema SC-75.

Descripción del panel de control y de la célula del clorador salino SC-75

El sistema SC-75 incorpora un panel de control con botones e indicadores LED para controlar la unidad y producir cloro. El sistema SC-75 mide la temperatura del agua y el nivel de sal para producir cloro en la cantidad prevista. Si el nivel de sal del agua de la piscina es demasiado bajo (rojo en la pantalla de sal), la célula se apaga hasta que se añada sal a la piscina. El programador cuenta con un ciclo de limpieza automática que invierte la polaridad de la célula, reduciendo así la acumulación de calcio. Esta función activa y desactiva la célula a intervalos regulares para minimizar la acumulación de calcio y sarro y prolongar al máximo la vida útil de la célula.

El SC-75 contiene la electrónica de control y los electrodos bipolares que producen cloro eléctricamente cuando les llega corriente continua. El cloro se genera a medida que el agua con sal de la piscina pasa a través de la célula. La producción de cloro se puede modificar ajustando el nivel de producción del clorador en el panel de control o variando el número de horas de funcionamiento diario de la unidad. El sistema SC-75 invierte automáticamente las placas de los electrodos de la célula cada pocas horas para ayudar a limpiar la célula. Este proceso no interrumpe la producción de cloro. El sistema SC-75 también contiene un sensor de flujo mecánico que garantiza el paso de la cantidad correcta de agua por la célula para que se produzca cloro. El sistema SC-75 mide automáticamente la salinidad y la temperatura del agua y muestra en el panel de control tres (3) rangos de salinidad mediante los indicadores LED. La KECG incluye un cable de 3 m para conectarlo a la caja de alimentación.

- Sensor de flujo: un sensor de flujo garantiza que siempre haya agua circulando por el sistema SC-75. Si el sistema SC-75 no se instala correctamente o no recibe la cantidad de agua adecuada, no se producirá cloro.
- Sensor de temperatura: para proteger el sistema SC-75 de posibles daños cuando la temperatura del agua de la piscina cae por debajo de los 11 °C, ± 1,67 °C, el sensor de temperatura desactiva la célula, ilumina la luz AGUA FRÍA y no se produce cloro.
- Sensor de sal: los dos (2) sensores de sal del sistema SC-75 se activan cada vez que el sistema se activa y vuelven a activarse cada 12 horas de funcionamiento continuo. Cada una de estas veces, los indicadores LED del nivel de sal parpadean de forma secuencial durante dos (2) minutos para indicar que el sistema SC-75 se encuentra en modo análisis. Después de dos (2) minutos, los indicadores LED señalarán uno (1) de los tres (3) rangos de salinidad. Para obtener más información, véase el apartado "Indicadores LED de estado del nivel de sal".

Nota: la lectura del sensor de sal tiene una precisión de +/- 500 ppm.

Caja de alimentación del sistema SC-75

La alimentación eléctrica está conectada a la fuente de alimentación eléctrica de la bomba de circulación de la piscina, de forma que el sistema SC-75 solo funciona si la bomba está encendida. La caja de alimentación debe montarse en la pared en posición vertical, a una distancia máxima de tres (3) metros de la célula. La caja de alimentación contiene el transformador, el fusible y el conector de la célula. Para ofrecer protección adicional, se monta un portafusibles en la base de la caja de alimentación. La caja de alimentación no incorpora otros controles ni luces. Para obtener información sobre la instalación y el uso correcto de la caja de alimentación, consulte el apartado "Guía de instalación de la caja de alimentación del sistema SC-75".

CAUTION La caja de alimentación del sistema SC-75 NO controla la bomba. El clorador salino SC-75 solo produce cloro cuando la bomba está encendida.



CAUTION Antes de conectar o desconectar la caja de alimentación del clorador salino SC-75, desconecte la CA de la caja de alimentación.

Diagrama de instalación circular

El clorador salino SC-75 está diseñado para funcionar con caudales de agua de 5,7 m³/h a 24 m³/h, sin superar este último. Para caudales superiores a 18 m³/h debe utilizar un circuito de derivación (como el que se muestra a continuación) para optimizar la producción de cloro. Las instalaciones con caudales superiores a 18 m³/h incluyen aquellas que cuentan con sistemas de limpieza o bombas de sobrepresión. Estos sistemas deben incorporar un circuito de derivación al sistema SC-75 con una válvula de control de flujo que garantice el mantenimiento del flujo de agua dentro de los caudales nominales designados.

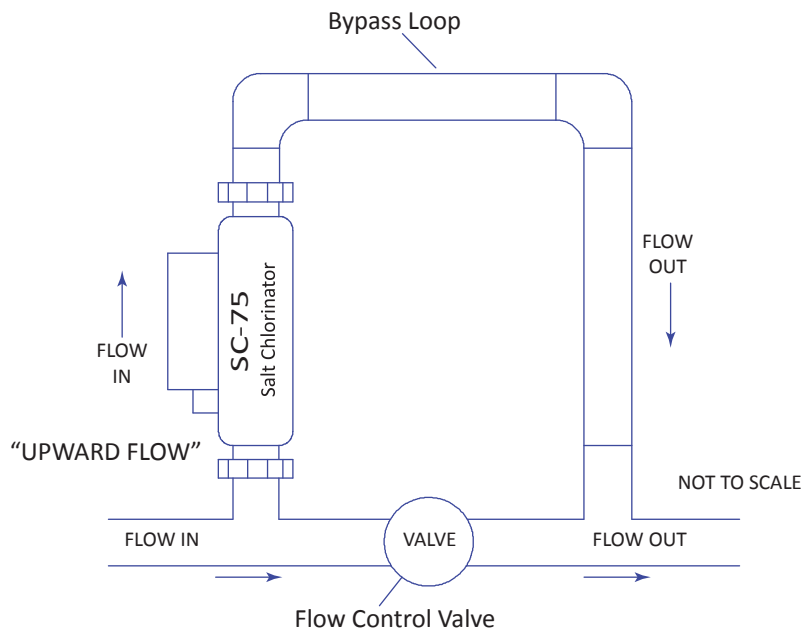
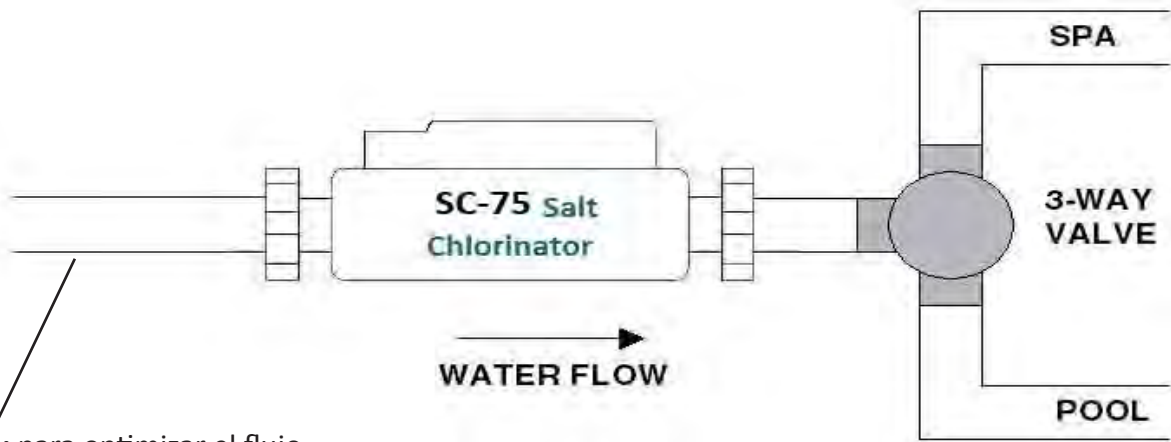


Diagrama de instalación del sistema SC-75

Instalación del clorador salino SC-75:

- Instale siempre el clorador salino SC-75 DESPUÉS del filtro y del calentador. El sistema SC-75 no debe estar a menos de 1 m de distancia de la salida del calentador.
- Si el sistema SC-75 está instalado en un sistema de piscina/spa combinado, instale (vea el diagrama a continuación) el sistema SC-75 DELANTE de la válvula de retorno de la piscina/spa para permitir una producción de cloro adecuada y evitar la creación de bolsas de gas en las tuberías.



NO A ESCALA

Nota: para optimizar el flujo, instale entre 30 y 45 cm de tubería recta delante de la entrada de la célula.

Panel de control del sistema SC-75

INDICADORES LED DE ESTADO DEL NIVEL DE SAL

El nivel de sal del sistema SC-75 comprueba a diario el agua de la piscina y muestra los niveles del siguiente modo:

LED VERDE: Nivel correcto de sal. El nivel de sal del agua de la piscina se encuentra entre 2800 ppm y 4500 ppm y el sistema SC-75 está produciendo cloro. El indicador LED de sal del sistema SC-75 siempre debería estar iluminado en verde para conseguir los mejores resultados. El nivel de sal ideal es de 3400 ppm.

LED VERDE (PARPADEANTE): el nivel de sal se sitúa por encima de las 4500 ppm. Se está produciendo cloro, pero el nivel de sal es demasiado alto, lo que incrementa el riesgo de corrosión y deterioro en los equipos de la piscina y en las superficies del interior y los alrededores de la piscina. El agua de la piscina debe vaciarse y volverse a llenar 300 mm cada vez hasta que el nivel de sal se sitúe por debajo de 4500 ppm.

LED ROJO: nivel bajo de sal. El nivel de sal del agua se sitúa por debajo de las 2800 ppm. El sistema SC-75 producirá cloro con una eficiencia reducida. Se recomienda añadir sal (*).

LED ROJO PARPADEANTE: nivel muy bajo de sal. El nivel de sal del agua se sitúa por debajo de las 2600 ppm. El sistema SC-75 no producirá cloro hasta que se añada más sal. El sistema SC-75 está desactivado. (*)

(*) Después de cada adición de sal, la bomba debe funcionar como mínimo durante 24 horas para lograr una disolución adecuada. Las lecturas de la salinidad deben tomarse después del período de disolución de 24 horas.

INDICADORES LED DE ESTADO

CÉLULA: MUESTRA EL ESTADO DEL SISTEMA SC-75

VERDE PARPADEANTE: el sistema SC-75 requiere inspección. Las placas pueden estar calcificadas. El sistema SC-75 no producirá cloro.

VERDE: el sistema SC-75 funciona bien y está produciendo cloro.

SIN LUZ: el sistema SC-75 está apagado y no produce cloro. Puede que el sistema se apague durante el proceso de esterilización y se vuelva a encender a su debido tiempo.

ROJO: el sistema SC-75 se encuentra en modo "Standby" (sistema apagado, sin generación de cloro) debido al clima frío. El sistema SC-75 reanudará la producción de cloro una vez que la temperatura del agua supere los 11°C.

FLUJO: ESTA LUZ INDICA EL ESTADO DEL AGUA QUE FLUYE A TRAVÉS DEL SISTEMA SC-75

ROJO: flujo de agua insuficiente a través del sistema SC-75, no se está produciendo cloro.

VERDE: flujo de agua suficiente a través del sistema SC-75, se está produciendo cloro.

INDICADORES LED DE PRODUCCIÓN

Los tres (3) indicadores LED se visualizan como un gráfico de barras para mostrar, en incrementos, el porcentaje de tiempo durante el que se produce cloro por cada hora de funcionamiento de la bomba. En modo BOOST, estos LED parpadean de abajo arriba.

Nota: si no se ilumina ningún LED, la producción es del 0 % y el clorador salino SC-75 no produce cloro.

- 0 % 0 LED iluminados - No hay producción de cloro - El clorador salino SC-75 está apagado.
- 33,3 % 1 LED iluminado - Produce un 33 % de cloro por cada hora de funcionamiento de la bomba.
- 66,6 % 2 LED iluminados - Produce un 66 % de cloro por cada hora de funcionamiento de la bomba.
- 100 % 3 LED iluminados - Produce un 100 % de cloro por cada hora de funcionamiento de la bomba.

Botones de producción Más y Menos

Los botones Más y Menos controlan el porcentaje de tiempo de cada hora de producción de cloro del clorador salino SC-75 mientras la bomba está activada (véase arriba el apartado de indicadores LED de producción de desinfectante). Las luces actúan como un gráfico de barras: cuantas más luces estén encendidas, más cloro se está produciendo. Levante la tapa del panel para acceder a los botones Más, Menos y Activar/Desactivar Boost. Para salir del modo Boost, mantenga presionados ambos botones.

Más: aumenta el tiempo durante el cual la célula produce cloro.

Menos: reduce el tiempo durante el cual la célula produce cloro.

Activar/Desactivar Boost: mantenga presionados los botones Más y Menos para activar y desactivar el modo de sobrepresión. El modo Boost establece la producción del esterilizador al 100 % durante las siguientes 24 horas de funcionamiento de la bomba de la piscina. Si el cronómetro desconecta el ciclo de la bomba y vuelve a conectarlo al día siguiente, el modo Boost continuará hasta pasadas 24 horas desde la activación o cancelación por parte del usuario del modo Boost. La pantalla Producción de desinfectante mostrará un patrón de LED para indicar el modo Boost.

Limpieza automática

La función de limpieza automática reduce la acumulación de sarro en las placas del sistema SC-75. El ciclo de limpieza automática tiende a reducir la vida útil del sistema SC-75, por lo que solo debe utilizarse en la medida de lo necesario para minimizar la acumulación de sarro en las placas. El ciclo de limpieza automática puede ajustarse para que tenga lugar cada 3, 4 o 5 horas, lo que resulte mejor para las condiciones concretas de su piscina a fin de minimizar la acumulación de sarro y maximizar la vida útil del sistema SC-75. La configuración de fábrica es de dos (2) horas durante los primeros 30 días de funcionamiento y después pasa automáticamente a tres (3) horas. Para cambiar el ciclo de limpieza automática, mantenga presionado el botón MENOS durante tres (3) segundos. La pantalla de producción de desinfectante mostrará el número de horas en forma de gráfico de barras. El número de LED de producción iluminado es el número de horas de inversión. Si pulsa el botón Más o Menos cambiará este ajuste.

Química del agua de la piscina, condiciones y precauciones

En esta sección se describe el procedimiento de puesta en marcha y las instrucciones de funcionamiento del clorador salino SC-75.

Química del agua de la piscina, condiciones y precauciones

1. Agua de piscina nueva: una piscina recién llenada o revestida puede contener sustancias no deseadas. Estas sustancias no deseadas podrían interferir en la capacidad del sistema SC-75 para producir cloro correctamente. El agua debe ser analizada y equilibrada por un profesional de mantenimiento de piscinas antes de poner en marcha el clorador salino SC-75.

⚠ WARNING La sal es un material esencialmente corrosivo. Aunque los niveles de sal necesarios para el correcto funcionamiento del clorador salino SC-75 son relativamente bajos en comparación con el agua marina y otras soluciones salinas, añadir cualquier cantidad de sal a su piscina aumenta las probabilidades de experimentar corrosión, u otros tipos de deterioro, en el equipo de la piscina y en cualquier superficie del interior y los alrededores de su piscina. Las piezas metálicas (incluidas las piscinas metálicas) y ciertas superficies naturales y artificiales son especialmente susceptibles a la corrosión y al deterioro si se utilizan dentro y alrededor de piscinas de agua salada. Pentair Aquatic Systems ("Pentair") no manifiesta ni garantiza que el uso correcto del clorador salino SC-75 evite la corrosión o el deterioro del equipo de la piscina y de cualquier superficie del interior o los alrededores de su piscina. Consulte a un profesional de mantenimiento de piscinas con experiencia, que podrá asesorarle en la elección de los materiales correctos, las técnicas de instalación de estos materiales, así como el uso, cuidado y mantenimiento adecuados de dichos materiales para su tipo de piscina y emplazamiento, a fin de minimizar la corrosión y el deterioro inherentes al interior y los alrededores de las piscinas de agua salada.

2. La supercloración quema los residuos de los bañistas que se han combinado con el cloro. De esta forma se libera el cloro para desinfectar. Esto se consigue aumentando rápida y drásticamente el nivel de cloro. Cuando el nivel de cloro se eleva a diez (10) veces la cantidad de cloro combinado (normalmente de 5 a 10 ppm) se dice que el agua de la piscina ha sido superclorada. Como el agua de la piscina está pasando continuamente a través del sistema SC-75 mientras la unidad está encendida, toda el agua de la piscina que pasa por el SC-75 está siendo superclorada. Si se utiliza el clorador salino SC-75 en piscinas, el agua de la piscina será cristalina y no dañará los ojos gracias a la ausencia de cloraminas.

Nota: al poner en marcha la piscina, es mejor realizar una supercloración utilizando una fuente externa, por ejemplo, utilizar un tratamiento de choque suministrado por su proveedor local de artículos para piscinas.

3. No debe haber cloraminas en el agua de la piscina. Las cloraminas se forman cuando el amoníaco (que se encuentra en la orina y el sudor) se combina con el cloro libre. Esto bloquea el cloro libre en su piscina y no permite que este desinfecte. Las cloraminas también queman los ojos y desprenden un olor desagradable. Realice una supercloración para eliminar las cloraminas al poner en marcha la piscina y cuando sea necesario para mantener los niveles correctos de cloro libre.

4. Las piscinas descubiertas requieren ácido cianúrico para estabilizar y mantener los niveles correctos de cloro. El 90 % del cloro no estabilizado se destruye con la radiación ultravioleta del sol en dos horas. El ácido cianúrico estabiliza el cloro del agua como resultado de la degradación ultravioleta. Al usar el sistema SC-75, el nivel de ácido cianúrico debe mantenerse entre 30 y 50 ppm. Véase la tabla 2.

NOTA: NO UTILICE ÁCIDO CIANÚRICO EN PISCINAS CUBIERTAS.

5. Total sólidos disueltos (TDS): la adición de sal al agua de la piscina elevará el nivel de TDS. Aunque esto no tiene consecuencias negativas para la química ni la transparencia del agua de la piscina, el análisis de TDS en el agua realizado por un profesional debe indicar que se ha añadido sal al sistema SC-75. La persona que realice la prueba del TDS podrá seguidamente restar el nivel de salinidad para calcular el nivel de TDS que sería compatible con una lectura de TDS para una piscina de agua no salina.

6. Metales - Algunos metales, como el cobre y el hierro, pueden provocar pérdida de cloro. Además, los metales pueden manchar la piscina. Los metales también pueden dañar el clorador salino SC-75. Pida a su profesional de mantenimiento de piscinas local que compruebe la presencia de metales y recomiende métodos de eliminación.

7. Los nitratos y los fosfatos pueden provocar grandes demandas de cloro y agotarán las reservas de cloro de su piscina. En algunos casos, los nitratos pueden incluso reducir los niveles de cloro a cero. Su profesional de mantenimiento de piscinas local puede comprobar los nitratos y los fosfatos. Aunque lo ideal es un nivel de nitratos de 0 ppm, el propietario de la piscina debe asegurarse de que este nivel NO supere las 10 ppm. El nivel de fosfatos no debe ser superior a 125 partes por billón (ppb).

Condiciones químicas óptimas para piscinas de agua salada (utilizando el clorador salino SC-75)

De acuerdo con las normas de la Asociación de Profesionales de Piscinas y Spas (APSP), se recomienda mantener de forma continua las siguientes condiciones químicas en el agua de la piscina para proteger a sus usuarios, a los equipos y a las superficies del interior y los alrededores de la piscina. Estos valores son importantes para mantener los equipos de la piscina en buen estado de funcionamiento y prevenir la corrosión, la acumulación de cal y otros problemas. Solo se garantiza el funcionamiento correcto del clorador salino SC-75 si se cumplen estas condiciones. Para obtener más información, consulte a su agencia local competente, al National Spa and Pool Institute (Instituto Nacional de Spas y Piscinas - NSPI), a los Centros para el Control y la Prevención de Enfermedades (CDC) o a la OMS (Organización Mundial de la Salud).

Cloro libre:	2,0-4,0 ppm. Por encima de 4,0 ppm puede provocar la corrosión de los componentes metálicos.
Cloro combinado (cloraminas):	cero (la supercloración eliminará todas las cloraminas)
pH:	7,2-7,8 (UTILICE ÁCIDO CLORHÍDRICO para reducir el pH y carbonato de sodio para elevar el pH.)
Ácido cianúrico:	30 - 50 ppm
Alcalinidad total:	80 - 120 ppm
Dureza del calcio:	200 - 400 ppm
TDS (incluye sal):	3000 ppm mínimo a 5700-6000 ppm máximo
Sal:	3000 - 4500 ppm (ideal 3400 ppm)
Metales (cobre, hierro, manganeso):	cero
Nitratos:	cero
Fosfatos:	menos de 125 ppb
Índice de saturación	-0,3 a 0,3 (ideal cero (0))

Piscinas cubiertas y piscinas con revestimiento de vinilo y reducción de los niveles de producción de cloro

Si se usa el clorador salino SC-75 en piscinas cubiertas o revestidas de vinilo se necesitará menos cloro. Se recomienda reducir el nivel de producción de cloro mientras la piscina esté cubierta.

Comprobación del nivel de cloro

Se recomienda tomar muestras de cloro de dos (2) puntos distintos de la piscina. Compare las muestras. Debe hallarse un nivel mayor en el conducto de retorno de la piscina. El nivel superior en el conducto de retorno de la piscina indica que el sistema SC-75 está produciendo cloro. Tome muestras de cloro para analizar en:

- El conducto de retorno de la piscina.
- 450 mm por debajo de la superficie y bastante lejos del conducto de retorno de la piscina.

Qué tipo de sal usar

Cuanto más pura sea la sal, más larga será la vida útil y mejor rendimiento tendrá el clorador salino SC-75. Utilice cloruro sódico (NaCl) con una pureza mínima del 99,8 %. La sal preferida y recomendada es sal no yodada, evaporada, granulada y sin aditivos apta para uso alimentario. Consulte con su profesional de mantenimiento de piscinas/proveedor de sal.

- No utilice sal con agentes antiapelmazantes (ferrocianuro de sodio, también denominado prusiato amarillo de soda). Los agentes de relleno pueden provocar la decoloración de los accesorios y acabados de las superficies de la piscina.
- Los gránulos de sal para acondicionar el agua son formas comprimidas de sal evaporada y pueden utilizarse, aunque tardarán más en disolverse. Estos gránulos podrían dañar el yeso de la piscina y otras superficies de la piscina y de su perímetro.
- No utilice cloruro de calcio ni cloruro de potasio como fuente de sal. (Utilice solo cloruro de sodio).
- No utilice sal de roca (las impurezas insolubles mezcladas con sal de roca pueden acortar la vida útil del sistema SC-75).

¿Cuánta sal hay que usar?

CAUTION PARA PISCINAS DE YESO DE NUEVA CONSTRUCCIÓN O REVESTIMIENTO: no accione el SC-75 cuando el yeso esté recién echado. La sal es un elemento corrosivo y puede provocar daños graves a su piscina. Espere como mínimo UN (1) MES después de la construcción para que el yeso se endurezca antes de añadir sal y accionar el sistema SC-75. Siga las instrucciones del fabricante de la superficie de su piscina.

PARA PISCINAS CON REVESTIMIENTO DE VINILO NUEVO: contacte con el fabricante para conocer las instrucciones antes de añadir sal y accionar el sistema SC-75.

Utilice la Tabla 1 para determinar cuánta sal necesitará. La mayoría de las piscinas contienen algo de sal, dependiendo de la fuente hídrica y de los productos químicos utilizados para la esterilización. Por lo tanto, el propietario de la piscina siempre debe analizar el nivel de sal antes de añadir sal. Puede utilizar un medidor manual calibrado para NaCl (sal) para determinar el nivel de sal del agua de la piscina. Una vez encendido el clorador salino SC-75, las luces LED del nivel de sal parpadearán de abajo arriba durante dos (2) minutos mientras analiza el agua de la piscina; seguidamente, los indicadores LED mostrarán uno (1) de cuatro (4) rangos de nivel de sal. Esta luz fija indica el estado del nivel de sal de la piscina.

- Para conseguir las mejores condiciones del agua se recomienda un nivel de entre 3000 y 3500 ppm de sal.
- Una concentración baja de sal inferior a 2600 ppm provocará la desactivación de la unidad.
- Una concentración alta de sal superior a 4500 ppm puede provocar un exceso de corrosión o el deterioro de los equipos de la piscina y sus superficies.

Nota: las mediciones de sal variarán en función del dispositivo utilizado (tiras de análisis de sal, analizadores electrónicos y análisis volumétrico). La lectura del sensor de sal tiene una precisión de +/- 500 ppm. Para obtener más información sobre la solución de problemas relacionados con niveles altos de sal, consulte el apartado "Solución de problemas".

Cálculo del índice de saturación

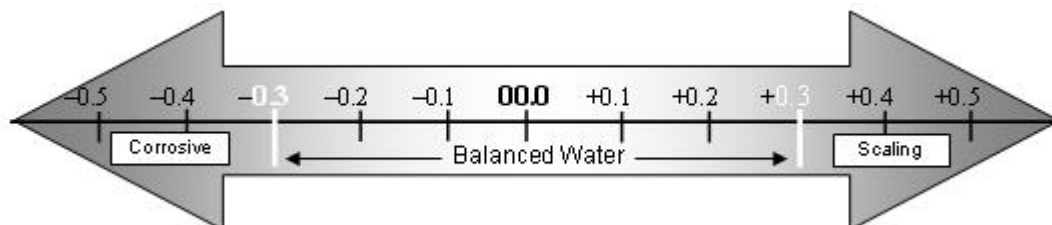
El índice de saturación es una fórmula que relaciona el pH, el calcio y la alcalinidad del agua de la piscina. El resultado de la fórmula de un agua bien equilibrada oscilará entre -0,3 y 0,3. Fuera de este intervalo, el agua de la piscina no está equilibrada y puede dañar los equipos de la piscina o el sistema SC-75. La ecuación para calcular el IS es:

IS = pH + FDC + FA + FT + FTDS					
Índice de saturación	pH medido	Factor de dureza del calcio	Factor de alcalinidad	Factor de temperatura	Factor de TDS

El ácido cianúrico en forma de iones de cianurato contribuye a la alcalinidad. Se debe realizar una corrección de la alcalinidad total. Restamos 1/3 del nivel de ácido cianúrico de la lectura obtenida en el análisis de alcalinidad total.

$$\text{Alcalinidad total} - \frac{1}{3} \text{ de ácido cianúrico} = \text{Alcalinidad corregida}$$

Esta corrección puede ser considerable en piscinas con elevados niveles de ácido cianúrico; por ejemplo, con un nivel de ácido cianúrico de 240 ppm, la corrección asciende a 80 ppm ($240 \div 3 = 80$).



Factor de TDS (los factores mostrados a continuación se basan en el valor real medido para el parámetro individual)

TDS	Factor
<1000	12,10
1000	12,19
2000	12,29
3000	12,35
4000	12,41
5000	12,44

Factores del índice de saturación de Langelier

Temperature			Calcium Hardness		Total Carbonate Alkalinity	
°F	°C	TF	ppm (mg/L)	CHF	ppm (mg/L)	AF
32	0.0	0.0	25	1.0	25	1.4
37	2.8	0.1	50	1.3	50	1.7
46	7.8	0.2	75	1.5	75	1.9
53	11.7	0.3	100	1.6	100	2.0
60	15.6	0.4	125	1.7	125	2.1
66	18.9	0.5	150	1.8	150	2.2
76	24.4	0.6	200	1.9	200	2.3
84	28.9	0.7	250	2.0	250	2.4
94	34.4	0.8	300	2.1	300	2.5
105	40.6	0.9	400	2.2	400	2.6
			800	2.5	800	2.9

Cómo añadir sal a la piscina

CAUTION PARA PISCINAS DE YESO DE NUEVA CONSTRUCCIÓN O REVESTIMIENTO: no accione el SC-75 cuando el yeso esté recién echado. La sal es un elemento corrosivo y puede provocar daños graves en su piscina. Espere como mínimo UN (1) MES después de la construcción para que el yeso se endurezca antes de añadir sal y accionar el sistema SC-75. Siga las instrucciones del fabricante de la superficie de su piscina.

PARA PISCINAS CON REVESTIMIENTO DE VINILO NUEVO, contacte con el fabricante para conocer las directrices recomendadas antes de añadir sal y accionar el sistema SC-75.

1. Compruebe el nivel de sal del agua de la piscina antes de añadir sal.
2. Determine la cantidad de sal a partir de las siguientes tablas.
3. Vierta lentamente la sal alrededor del perímetro exterior de la piscina para lograr una distribución rápida y uniforme.
 - a. Para no obstruir el filtro ni dañar los equipos de la piscina ni las superficies colindantes, no añada sal a través de la espumadera ni del depósito de compensación.
4. Cepille el fondo de la piscina y deje que el agua circule durante 24 horas para que la sal se disuelva por completo.
5. Después de 24 horas, verifique la lectura del nivel de sal comprobando los indicadores LED del clorador salino SC-75 y mediante otro método de análisis fiable.
6. Encienda el clorador salino SC-75 y configure el nivel de producción del esterilizador en el ajuste correcto para mantener los niveles de cloro libre adecuados en el agua de la piscina (es decir, en el rango de 2,0-4,0 ppm, rango recomendado por la APSP).

Preparación del agua de la piscina

Determinación del tamaño de la piscina (litros de agua de la piscina)

- **Piscinas rectangulares:** largo x ancho (metros) x profundidad media x 1000
- **Piscinas circulares:** diámetro x diámetro x profundidad media x 785
- **Piscinas ovaladas:** largo x ancho (metros) x profundidad media x 893
- **Bordes inclinados:** multiplicar el número total de litros por 0,85 = capacidad en litros.

CAUTION Nunca utilice ácido seco (bisulfato de sodio) para ajustar el pH en zonas geográficas áridas con un grado excesivo de evaporación y un grado mínimo de disolución del agua de la piscina con agua dulce. Una acumulación de subproductos puede dañar el sistema SC-75.

TABLA 1. libras (lb) aproximadas / kilogramos (kg) de sal necesarios para obtener 3400 ppm en la piscina.

CHART FOR ADDITION OF SALT TO 3400														
Pool Litres		0 ppm	250 ppm	500 ppm	750 ppm	1000 ppm	1250 ppm	1500 ppm	1750 ppm	2000 ppm	2250 ppm	2500 ppm	2800 ppm	3000 ppm
37,800	lbs	284.00	263.12	242.24	221.35	200.47	179.59	158.71	137.82	116.94	96.06	75.18	50.12	33.1
	kg	128.82	119.35	109.88	100.41	90.93	81.46	71.99	62.52	53.04	43.57	34.10	22.73	15.16
45,400	lbs	340.80	315.74	290.68	265.62	240.56	215.51	190.45	165.39	140.33	115.27	90.21	60.14	40.09
	kg	154.59	143.22	131.85	120.49	109.12	97.75	86.39	75.02	63.65	52.29	40.92	27.28	18.19
53,000	lbs	397.60	368.36	339.13	309.89	280.66	251.42	222.19	192.95	163.72	134.48	105.25	70.16	46.78
	kg	180.35	167.09	153.83	140.57	127.31	114.05	100.78	87.52	74.26	61.00	47.74	31.83	21.22
60,600	lbs	454.40	420.99	387.58	354.16	320.75	287.34	253.93	220.52	187.11	153.69	120.28	80.19	53.46
	kg	206.12	190.96	175.80	160.65	145.49	130.34	115.18	100.03	84.87	69.72	54.56	36.37	24.25
68,100	lbs	511.20	473.61	436.02	398.44	360.85	323.26	285.67	248.08	210.49	172.91	135.32	90.21	60.14
	kg	231.88	214.83	197.78	180.73	163.68	146.63	129.58	112.53	95.48	78.43	61.38	40.92	27.28
75,700	lbs	568.00	526.24	484.47	442.71	400.94	359.18	317.41	275.65	233.88	192.12	150.35	100.24	66.82
	kg	257.64	238.70	219.76	200.81	181.87	162.92	143.98	125.03	106.09	87.14	68.20	45.47	30.31
83,300	lbs	568.00	526.24	484.47	442.71	400.94	359.18	317.41	275.65	233.88	192.12	150.35	100.24	66.82
	kg	257.64	238.70	219.76	200.81	181.87	162.92	143.98	125.03	106.09	87.14	68.20	45.47	30.31
90,900	lbs	681.60	631.48	581.36	531.25	481.13	431.01	380.89	330.78	280.66	230.54	180.42	120.28	80.19
	kg	309.17	286.44	263.71	240.97	218.24	195.51	172.77	150.04	127.31	104.57	81.84	54.56	36.37
106,000	lbs	795.20	736.73	678.26	619.79	561.32	502.85	444.38	385.91	327.44	268.96	210.49	140.33	93.55
	kg	360.70	334.18	307.66	281.14	254.61	228.09	201.57	175.05	148.52	122.00	95.48	63.65	42.44
113,600	lbs	852.00	789.35	726.71	664.06	601.41	538.76	476.12	413.47	350.82	288.18	225.53	150.35	100.24
	kg	386.47	358.05	329.63	301.22	272.80	244.38	215.97	187.55	159.13	130.72	102.30	68.20	45.47

TABLA 2. cantidad aproximada de estabilizante (ácido cianúrico) para obtener 40 ppm en la piscina.

Current Cyanuric Acid Level - ppm	10,000 g (38,000 L)	12,000 g (45,425 L)	14,000 g (53,000 L)	16,000 g (60,600 L)	18,000 g (68,137 L)	20,000 g (76,000 L)	22,000 g (83,300 L)	24,000 g (90,850 L)	26,000 g (98,421 L)	28,000 g (106,000 L)	30,000 g (134,000 L)
0	3.25 (1.47 kg)	3.90 (1.77 kg)	4.55 (2.6 kg)	5.20 (2.36 kg)	5.85 (2.65 kg)	6.50 (2.94 kg)	7.15 (3.24 kg)	7.80 (3.53 kg)	8.45 (3.83 kg)	9.10 (4.12 kg)	9.75 (4.42 kg)
10	2.43 (1.10 kg)	2.92 (1.32 kg)	3.40 (1.54 kg)	3.89 (1.76 kg)	4.37 (1.98 kg)	4.86 (2.20 kg)	5.35 (2.42 kg)	5.83 (2.64 kg)	6.32 (2.86 kg)	6.80 (3.08 kg)	7.29 (3.30 kg)
20	1.62 (0.73 kg)	1.94 (0.88 kg)	2.27 (1.03 kg)	2.59 (1.17 kg)	2.92 (1.32 kg)	3.24 (1.47 kg)	3.56 (1.61 kg)	3.89 (1.76 kg)	4.21 (1.91 kg)	4.54 (2.05 kg)	4.86 (2.20 kg)

NOTA: la lectura del ácido cianúrico debe mantenerse en 30-50 ppm.

Sección 3

Uso del clorador salino SC-75™

En esta sección se describe el procedimiento de puesta en marcha y las instrucciones de funcionamiento del clorador salino SC-75.

Antes de poner en marcha y accionar el sistema SC-75, la piscina en la que va a utilizar el clorador salino SC-75 debe haberse finalizado y llenado como mínimo un (1) mes antes (para piscinas de yeso) y el nivel de sal del agua de la piscina debe ser estable y mantenerse entre 3300 - 3600 ppm.

Período de puesta en marcha inicial

Durante los primeros treinta (30) días de funcionamiento de la célula, el ciclo de limpieza automática viene configurado de fábrica cada dos (2) horas. Una vez transcurridos treinta (30) días, el sistema SC-75 programará automáticamente un ciclo de autolimpieza cada tres (3) horas. Esta función limpiará las placas del sistema SC-75 con mayor frecuencia durante la instalación inicial y después realizará un ciclo de autolimpieza más estándar para prolongar la vida útil de las placas.

Funcionamiento

No es necesario utilizar un programador externo para la bomba de la piscina

El sistema SC-75 está diseñado para proporcionar la cantidad de cloro necesaria para desinfectar el agua de la piscina todos los días. Si la bomba de la piscina está funcionando continuamente y el SC-75 funciona 24 horas al día al 100 %, se generaría más cloro del que necesitan la mayoría de las piscinas (2 - 4 ppm, según recomendaciones de la APSP). El SC-75 cuenta con su propio programador interno que activa y desactiva una célula electrolítica en función del porcentaje de producción de desinfectante configurado.

CAUTION El sistema SC-75 está exclusivamente diseñado para producir cloro. El sistema SC-75 no supervisa ni controla los niveles de cloro del agua de la piscina o del spa. Es responsabilidad del propietario de la piscina supervisar y mantener los niveles de cloro libre dentro del intervalo recomendado por la APSP de 2,0 a 4,0 partes por millón (ppm). Es responsabilidad del propietario de la piscina comprobar regularmente el nivel de cloro libre durante el funcionamiento de la bomba de la piscina y ajustar en consecuencia la producción del esterilizador en el sistema SC-75.

CAUTION Antes de accionar el sistema SC-75, consulte el apartado "Recomendaciones y precauciones generales" al final de esta sección, y el apartado "Preparación del agua de la piscina" de la sección anterior. Además, no ajuste la producción de desinfectante por encima del 20 % hasta que esté seguro de que la sal se ha disuelto en la piscina. El funcionamiento sin sal hará que se apague la unidad y se encienda la luz AÑADIR SAL en la pantalla de sal. No se producirá cloro hasta que no añada sal al agua de la piscina.

Si utiliza un programador de la bomba de la piscina

La Asociación de Profesionales de Piscinas y Spas (APSP) recomienda que toda el agua de una piscina residencial pase a través del sistema de filtración como mínimo una vez cada 24 horas (lo que se denomina renovación del agua de la piscina). Sin embargo, son muchos los factores que afectan a los tiempos de funcionamiento del sistema de filtración y de la bomba. El tamaño de la piscina, la fuente de agua, la luz solar directa, si la piscina es cubierta o descubierta, si la piscina está o no protegida, el sistema de filtración, si el clima es frío o cálido, la cantidad de bañistas, la lluvia, los residuos orgánicos, las algas, etc. son factores que contribuyen a incrementar o reducir el tiempo de funcionamiento del sistema del filtro y la bomba de la piscina. Debido a estas diferencias, es muy difícil establecer un tiempo de funcionamiento inicial estándar (punto de partida) para la bomba de la piscina y el sistema de producción de cloro.

Pruebe un ajuste inicial en el programador de la bomba de la piscina de doce (12) horas. Tardará algunos días en determinar el tiempo correcto de funcionamiento de la bomba de la piscina. Si el sistema SC-75 está conectado al programador de la bomba de la piscina, los resultados variarán mucho de una piscina a otra, y esto debe comentárselo a su profesional de mantenimiento de piscinas. Los puntos clave son:

- Accione la bomba de la piscina como mínimo el tiempo necesario para conseguir una buena filtración y una producción de cloro adecuada del sistema SC-75, con arreglo a las recomendaciones de su profesional de mantenimiento de piscinas.
- Aunque los programadores de bombas pueden reducir el consumo energético, la bomba de la piscina debe funcionar para que el clorador salino SC-75 produzca cloro, y debe mantenerse en funcionamiento el tiempo suficiente para mantener los niveles de cloro adecuados (es decir, 2,0 - 4,0 ppm de cloro libre disponible).

Nota: –excepto para su funcionamiento con climas fríos: la unidad se apaga si la temperatura del agua es inferior a 12 °C y no producirá cloro. Esta función prolonga la vida útil de la célula.

Procedimiento de puesta en marcha (supercloración)

Se recomienda una supercloración antes de la puesta en marcha del sistema. Empiece con agua limpia y correctamente clorada desde el principio. El sistema SC-75 acumulará un nivel de cloro suficiente para desinfectar en varias horas. Sin embargo, si el agua de la piscina muestra gran demanda desde la puesta en marcha, el sistema SC-75 no podrá producir cloro suficiente para alcanzar el nivel umbral de cloración. Por ello, es mejor realizar una supercloración utilizando una fuente externa en el momento de poner en marcha la piscina. Seguidamente, espere hasta que el nivel de cloro haya regresado a 2,0 - 4,0 ppm antes de activar el sistema SC-75.

Configuración y ajustes de producción de desinfectante

- Encienda el interruptor o el programador de la bomba de la piscina. Los dos LED de la pantalla de sal parpadearán (de abajo arriba) durante dos (2) minutos, indicando que aún no se ha comprobado el nivel de sal. Transcurridos dos (2) minutos, se comprobará el nivel de sal y se encenderá solo un (1) LED del nivel de sal. Si la salinidad se sitúa por debajo de las 2600 ppm, en la pantalla de sal se iluminará el indicador rojo NIVEL BAJO DE SAL y la luz CÉLULA parpadeará indicando que no hay sal suficiente en la piscina para producir cloro.
- Configure la Producción de desinfectante en "MED" pulsando el botón MÁS o MENOS.
- Transcurridas 24 horas, utilice un método de análisis fiable para comprobar el cloro libre disponible en la piscina. El intervalo ideal oscila entre 2,0 y 4,0 ppm. Si el nivel de cloro libre del agua de la piscina es demasiado bajo, incremente la producción de cloro presionando el botón MÁS. Si el nivel de cloro libre del agua de la piscina es demasiado alto, reduzca la producción de cloro presionando el botón MENOS.
- Debido a la variable demanda de cloro libre del agua de la piscina, se pueden tardar varios días en determinar el número de horas de funcionamiento diarias y el porcentaje de "Producción de desinfectante" de su piscina. Siga ajustando según sea necesario, dejando 24 horas entre cada ajuste hasta que el nivel de cloro libre del agua de la piscina se estabilice en 2,0 - 4,0 ppm, según las recomendaciones de la APSP.

Funcionamiento en invierno

El clorador salino SC-75 se apaga y no produce cloro si la temperatura del agua es inferior a 12 °C. Esta función prolonga la vida útil del sistema SC-75. Véase "Acondicionamiento invernal".

Recomendaciones generales

- Lea y conserve estas instrucciones de instalación en un lugar seguro.
- Incremente el nivel de producción de desinfectante según sea necesario después de lluvias torrenciales (piscinas descubiertas), y devuélvalo luego al nivel normal.
- Incremente el nivel de producción de desinfectante cuando aumente la temperatura del aire y el agua.
- Incremente el nivel de producción de desinfectante cuando aumente el número de bañistas.
- Utilice ácido cianúrico SOLO en la medida necesaria para estabilizar el cloro del agua de la piscina en piscinas descubiertas.

NOTA: NO UTILICE ÁCIDO CIANÚRICO EN PISCINAS CUBIERTAS.

- Una vez al mes, tome una muestra del agua de la piscina y llévesela a un profesional de mantenimiento de piscinas para que realice un análisis.

Precauciones generales

- No añada fertilizantes a la piscina. Los fertilizantes contienen nitratos, que generan gran demanda de cloro.
- Nunca utilice ácido seco para ajustar el pH en zonas geográficas áridas con un grado excesivo de evaporación y un grado mínimo de disolución del agua de la piscina con agua dulce. Una acumulación de subproductos puede dañar el sistema SC-75.
- No añada ningún producto químico equilibrante al agua de la piscina (ni siquiera sal), salvo que el sistema SC-75 esté apagado.
- No deje que el nivel de ácido cianúrico caiga por debajo de las 30 ppm en piscinas descubiertas.

NOTA: NO UTILICE ÁCIDO CIANÚRICO EN PISCINAS CUBIERTAS.

Sección 4

Mantenimiento del usuario

En esta sección se indica cómo mantener el clorador salino SC-75.

Mantenimiento diario

No es necesario.

Mantenimiento semanal

1. Análisis del nivel de pH: analice el nivel de pH del agua de la piscina con un método fiable. Si es necesario, ajústelo con arreglo a las recomendaciones de su profesional de mantenimiento de piscinas. El intervalo de pH ideal recomendado por la APSP es de 7,4 a 7,6, aunque de 7,2 a 7,8 es un rango aceptable según las directrices de la APSP.

Nota: nunca utilice ácido seco (bisulfato de sodio) para ajustar el pH en zonas geográficas áridas con un grado excesivo de evaporación y un grado mínimo de disolución del agua de la piscina con agua dulce. Una acumulación de subproductos puede dañar el sistema SC-75.

2. Análisis de la alcalinidad total: analice el agua de la piscina para determinar la alcalinidad total con un método fiable. Si es necesario, ajústelo con arreglo a las recomendaciones de su profesional de mantenimiento de piscinas. El intervalo de alcalinidad total ideal recomendado por la APSP es de 80 a 120 ppm.

3. Análisis de cloro: analice el agua de la piscina para determinar el nivel de cloro libre con un método fiable. Mantenga el intervalo ideal ajustando la configuración de producción de desinfectante del clorador salino SC-75. Véase "Botones de producción Más y Menos"

- a. El nivel de cloro libre recomendado es de 2,0 - 4,0ppm, según recomendaciones de la APSP.
- b. Si se superan las 4,0 ppm de cloro puede producirse una corrosión excesiva de los componentes metálicos y daños a los equipos de la piscina.
- c. Se recomienda realizar las lecturas de cloro libre a partir de muestras del agua de la piscina tomadas de dos (2) puntos distintos de la piscina, uno en el conducto de retorno de la piscina y otro lejos de este. Compare los resultados del análisis. Debe hallarse un nivel mayor de cloro libre en el conducto de retorno de la piscina. El nivel superior de cloro libre en el conducto de retorno de la piscina indica que el clorador salino SC-75 está produciendo cloro.

Mantenimiento mensual

Para garantizar que el equilibrio correcto de los productos químicos se mantiene en su piscina, es importante realizar los siguientes análisis de la sal y del agua de la piscina todos los meses con un método fiable.

1. Análisis del nivel de sal: compruebe las luces de la pantalla de sal de la unidad y verifique que la luz verde "CORRECTO" esté encendida y no parpadeando.

- a. Si el LED rojo de nivel bajo de sal está encendida. Añada sal al agua de la piscina.
- b. Si el nivel de sal no sube transcurridas 24 horas, consulte el apartado "Solución de problemas".

2. Muestra del agua de la piscina: tome una muestra del agua de la piscina y llévela a un establecimiento especializado en piscinas para que lo analicen.

3. Ácido cianúrico: tome una muestra del agua de la piscina y analice el nivel de ácido cianúrico utilizando un método fiable. Cuando se utiliza el clorador salino SC-75, el nivel de ácido cianúrico recomendado es de 30 - 50 ppm.

4. Dureza del calcio: analice el agua de la piscina para determinar la dureza del calcio utilizando un método fiable. Si es necesario, ajústelo con arreglo a las recomendaciones de su profesional de mantenimiento de piscinas. El intervalo ideal recomendado por la APSP para el calcio es de 200 a 400 ppm.

5. Análisis de metales: se recomienda tomar una muestra del agua de la piscina y analizarla periódicamente para detectar la presencia de metales, como cobre, hierro y manganeso. Estos metales pueden dañar el clorador salino SC-75 y otros equipos de la piscina y no deben estar presentes en el agua. Si estos metales están presentes, contacte con su profesional de mantenimiento de piscinas.

6. TDS (total de sólidos disueltos): analice el agua de la piscina para determinar el nivel de TDS utilizando un kit de análisis o tomando una muestra del agua de la piscina para que la analice un profesional de mantenimiento de piscinas. Si es necesario, ajústelo con arreglo a las recomendaciones de su profesional de mantenimiento de piscinas. Para piscinas saladas la APSP recomienda un nivel mínimo de 3000 ppm y un nivel máximo de entre 5700 - 6000 ppm (que incluye la sal).

Contador de horas de uso del clorador salino SC-75™

El sistema SC-75 incorpora un contador de "horas de uso" de la célula que indica cuántas horas lleva funcionando el sistema.

Para acceder al modo de estado del sistema:

1. Mantenga presionado el botón MÁS durante tres (3) segundos, hasta que las luces vayan desplazándose por la unidad.
2. Uno (1) de los tres (3) indicadores LED de producción de desinfectante (Bajo, Med, Alto) se iluminará, indicando las horas de uso. Las luces LED de producción son:
 - 2000 horas (LED Bajo encendido)
 - 4000 horas (LED Med encendido)
 - 6000 horas (LED Alto encendido)

Limpeza de las placas de la célula del sistema SC-75

Nota: antes del lavado con ácido, elimine la acumulación de calcio de la célula. Utilice una manguera de jardín de alta presión y pulverice directamente sobre ambos extremos de la célula. Por lo general, las acumulaciones de calcio tienen una consistencia fangosa y se despegarán sin problemas de la célula. Cuando la mayor parte del calcio se haya eliminado, proceda a lavarla con ácido que será más eficaz ahora que la mayoría del calcio se ha retirado.

1. Limpieza automática: el sistema SC-75 tiene una función de limpieza automática de placas de la célula (inversión de la célula) que ayuda a eliminar los depósitos de sarro de las placas del sistema SC-75. **Nota:** la limpieza automática no interrumpe el proceso de producción de cloro. El "sarro" es una especie de costra blanca que se forma si el agua es excesivamente dura o si el agua de la piscina está desequilibrada. Si las placas del sistema SC-75 muestran una cantidad excesiva de sarro, tendrá que realizar una limpieza con ácido. Proceda con el Paso 2 del apartado "Limpieza con ácido".

2. Limpieza con ácido: si las placas del sistema SC-75 muestran una tendencia a acumular sarro, se recomienda extraer e inspeccionar el sistema cada dos (2) meses para comprobar si se han acumulado sarro y/o residuos en las placas. Las zonas geográficas donde el agua es muy dura pueden requerir limpieza más frecuente. Algunos filtros permiten que los residuos pasen a través del sistema SC-75, pudiendo alojarse entre las placas del sistema SC-75. Una pequeña cantidad de sarro es normal. Si mirando a través del sistema SC-75 se observa una acumulación excesiva de sarro entre las placas o una presencia de residuos, debe limpiar el sistema SC-75 del modo que sigue:

Utilice un chorro de agua a alta presión de la manguera del jardín. Si las placas no pueden limpiarse bien de este modo, necesitará una limpieza con ácido.

PARA LIMPIAR CON ÁCIDO LAS PLACAS DEL SISTEMA SC-75™:

1. Desconecte la alimentación de CA de la caja de alimentación. Desconecte el cable de comunicación de la célula del clorador salino SC-75 de la caja de alimentación.
2. Mezcle una (1) parte de ácido con una (1) parte de agua del grifo en un cubo de plástico.
3. Sumerja las placas en esta solución sin dejar que el panel de control y los cables se mojen con la solución.
4. Deje que la solución de ácido forme burbujas y limpie las placas.

El ácido solo debe contenerse dentro del sistema SC-75 para cubrir las placas. Trate que el ácido no salpique fuera del sistema SC-75. Si el ácido se derrama fuera del sistema SC-75, límpielo con agua. Se iniciará una acción efervescente provocada por la disolución del sarro (carbonato de calcio) de las placas. Si no se inicia una acción efervescente evidente, las placas no requieren limpieza (DETENGA EL PROCESO DE LIMPIEZA, vaya al paso siguiente). En caso contrario, deje las placas sumergidas en la solución hasta que se detenga la acción efervescente. Sin embargo, no deje el ácido en el sistema SC-75 durante más de treinta (30) minutos. Una limpieza con ácido excesiva dañará las placas.

5. Saque el sistema SC-75 del cubo y méntalo en un cubo vacío de unos 20 litros de capacidad. Aclare a fondo el interior y el exterior del sistema SC-75 con agua del grifo limpia e inspecciónelo. Si aún hay depósitos visibles, repita el proceso de limpieza con ácido.

6. Aclare de nuevo el sistema SC-75 con agua del grifo limpia e inspeccione. Una vez limpio, coloque el sistema SC-75 en su sitio y reanude el funcionamiento normal.

7. Si es necesaria la limpieza con ácido, se recomienda que un profesional de mantenimiento de piscinas analice una muestra del agua de la piscina para determinar si existe un exceso de dureza del calcio (el intervalo ideal es de 200 a 400 ppm) y/o un equilibrio incorrecto del agua.

8. Inspeccione el interior del sistema SC-75 cada dos (2) meses (o con mayor frecuencia en zonas de agua dura). Si no se observan acumulaciones de sarro o residuos en el interior del SC-75 después de cuatro (4) meses, no es necesario seguir realizando inspecciones cada dos meses. Sin embargo, debido a posibles cambios en la química del agua de la piscina y en la eficacia de la filtración, se recomienda extraer e inspeccionar la célula como mínimo dos veces al año.

9. Vuelva a conectar el enchufe del cable de comunicación del sistema SC-75 a la caja de alimentación; seguidamente, conecte la alimentación de CA a la caja de alimentación.

Acondicionamiento para el invierno

Se necesita muy poca producción de cloro con agua fría, siempre y cuando los niveles de cloro libre se mantengan entre 2,0 y 4,0 ppm. El clorador salino SC-75 no produce cloro si la temperatura del agua es inferior a 12 °C. Esta función prolonga la vida útil de la célula. Si no se adoptan medidas de prevención, el agua congelada provocará daños graves a la célula. Evite daños por congelación en la célula accionando continuamente la bomba de la piscina o acondicionando la piscina para el invierno, vaciando el agua de la bomba, del filtro y de todos los conductos de entrada y retorno. Extraiga la célula, límpiela y guárdela.

Sección 5

Instalación

En esta sección se explica cómo instalar el clorador salino SC-75 en el sistema de fontanería de la piscina. Antes de instalar, revise el contenido del kit del sistema SC-75 y las herramientas necesarias.

Nota: para conocer las instrucciones de instalación de la caja de alimentación, consulte la "Guía de instalación de la caja de alimentación del sistema SC-75"

Nota: no se suministra sal. Para obtener más información sobre el tipo de sal que debe usar, consulte el apartado "Qué tipo de sal usar".

Herramientas necesarias

- Cinta métrica
- Destornillador de punta de cruz y de punta plana
- Alicates y sierra para metales
- Un imprimador limpiador de PVC/CPVC/ABS multiusos aprobado por la NSF®
- Un cemento de PVC/CPVC/ABS multiusos aprobado por la NSF®

⚠ WARNING Al utilizar productos eléctricos, adopte las precauciones básicas, incluidas las siguientes:



PELIGRO: RIESGO DE DESCARGA ELÉCTRICA, QUE PUEDE PROVOCAR LESIONES GRAVES E INCLUSO LA MUERTE.

Antes de tratar de instalar el sistema, compruebe que la electricidad de todos los circuitos de alimentación esté desconectada en el disyuntor. Se recomienda conectar la caja de alimentación del sistema SC-75 a un circuito protegido con un interruptor de circuito de pérdida a tierra (GFCI).

- Se requiere conexión a tierra. La unidad debe ser instalada y puesta a tierra por un técnico cualificado.
- Instale de forma que se pueda acceder a los botones de la célula y a la caja de alimentación.
- Lea las precauciones de seguridad y las instrucciones importantes. Antes de tender el cableado eléctrico, lea y siga las instrucciones de seguridad. El cableado eléctrico debe realizarlo un profesional cualificado.
- Instale la unidad SC-75 a una distancia mínima de 1 metro de la salida del calentador.
- Racores de tubos: programa 80, presión máxima 5 bar (75 psi) a 21 °C - Tubo de PVC de 50 mm
- Opere la unidad con un flujo mínimo de 6 m³/h. Para aplicaciones de flujo alto, utilice un circuito de derivación para una mejor detección del flujo.
- Instale entre 300 y 450 mm de tubería recta delante de la entrada de la célula.

Instalación del conjunto de la célula del sistema SC-75

Instale el conjunto de la célula del sistema SC-75 a una distancia mínima de 900 mm de la salida del calentador, si lo utiliza.

Nota: para optimizar el flujo, instale entre 300 y 450 mm de tubería recta delante de la entrada de la célula.

Nota: Racores de tubos: programa 80, presión máxima 5 bar (75 psi) a 21 °C

Para instalar la célula del sistema SC-75:

1. Utilizando pegamento de PVC, monte los racores de PVC en la tubería. Deje que se seque el pegamento.
2. Monte la célula de forma que se pueda acceder al panel de control. Instale la célula en los racores.
3. Compruebe que las juntas tóricas estén bien selladas.
4. Encienda la bomba e inspeccione visualmente la presencia de fugas alrededor de los racores.

Conexión del cable de la célula a la caja de alimentación

Una vez terminada la instalación de la célula, conecte el cable de alimentación a la caja de alimentación:

⚠ WARNING Corte la alimentación de la caja de alimentación antes de realizar cualquier conexión

1. Compruebe que la CA esté desconectada antes de conectar el cable de alimentación a la caja de alimentación.
2. Alinee las cuatro (4) clavijas del conector del cable de alimentación de la célula con el enchufe situado en la parte inferior de la caja de alimentación e inserte el conector. Gire la tuerca redonda del enchufe hasta encajar el conector en su sitio.



Tuerca del enchufe del conector

Al conjunto de la célula

Solución de problemas

Utilice la siguiente información para solucionar posibles problemas del clorador salino SC-75.

Nota: desconecte la corriente antes de intentar operaciones de mantenimiento o de reparación. Corte la CA a la caja de alimentación cuando enchufe y desenchufe la célula SC-75 a la caja de alimentación.

Problema	Posible causa	Medida correctiva
Nivel de cloro bajo o ausencia de cloro	Nivel de estabilizante (ácido cianúrico) bajo en el agua de la piscina (solo piscinas descubiertas).	Añada ácido cianúrico solo en piscinas descubiertas para mantener un nivel de 30 - 50 ppm siguiendo las recomendaciones del profesional de mantenimiento de piscinas. Consulte la tabla de cantidades de estabilizante.
	Horas de funcionamiento insuficientes del sistema SC-75.	Incremente el tiempo de funcionamiento diario del sistema SC-75.
	Porcentaje de producción de desinfectante demasiado bajo o al 0 %.	Incremente la producción de desinfectante presionando el botón MÁS.
	Ascensos recientes de la temperatura sin haber aumentado la producción de desinfectante del sistema SC-75.	Incremente la producción de desinfectante presionando el botón MÁS.
	Pérdida temporal de cloro debido a una gran carga orgánica, lluvia, hojas, fertilizantes o un exceso de bañistas, una fiesta reciente o el uso de la piscina por parte de mascotas.	Configure el modo "Boost" y deje funcionar durante 24 horas. Vuelva a comprobar; si el nivel es aún bajo, efectúe una supercloración utilizando una fuente externa. (Coja una muestra del agua de la piscina y llévesela a un profesional de mantenimiento de piscinas).
	Nivel bajo de sal (menos de 2600 ppm) en el agua de la piscina que interrumpe la producción de cloro.	Observe las luces de la pantalla de sal. Véase el apartado "Indicadores LED de estado del nivel de sal".
	Nivel alto de nitrato y fosfato.	Contacte con un profesional de mantenimiento de piscinas.
	Presencia de metales en el agua de la piscina.	Contacte con un profesional de mantenimiento de piscinas.
	Agua nueva en la piscina o sin tratar correctamente en la puesta en marcha.	Efectúe una supercloración de la piscina. Véase el apartado "Procedimiento de puesta en marcha (supercloración)".
Célula obstruida o sucia.	Extraiga la célula para su inspección. Límpiela si es necesario.	
El LED rojo del nivel de sal está encendido.	El agua de la piscina necesita sal. No se está produciendo cloro.	Añada sal para conseguir un nivel de 3400 ppm.
LED amarillo del nivel de sal encendido y LED verde de la célula parpadeante.	El nivel de sal del agua de la piscina es bajo y puede requerir inspección.	Compruebe el nivel de sal y añada si es necesario hasta alcanzar el nivel CORRECTO. Deje un período de 24 horas para que la sal se mezcle con el agua. Si la luz de la célula sigue parpadeando transcurridas 24 horas, extraiga e inspeccione la célula y límpiela si es necesario.
El LED verde del nivel de sal está parpadeando.	Hay demasiada sal en la piscina. Puede provocar daños a los equipos de la piscina y las superficies colindantes.	Disuelva el agua de la piscina vaciando cierta cantidad y añadiendo agua nueva.
El LED de la célula se ilumina en rojo.	La temperatura del agua es inferior a 12 °C.	La temperatura del agua debe situarse por encima de los 12 °C para producir cloro.
El LED de la célula no se ilumina.	La producción de cloro es del 0 %.	Ajuste la PRODUCCIÓN DE CLORO al porcentaje deseado.
	Flujo de agua insuficiente. La célula está obstruida por los residuos, la bomba no se ha cebado.	Elimine la obstrucción y/o limpie la célula. Ceba la bomba si es necesario.
	Nivel de sal por debajo de las 2600 ppm.	Añada sal.
El LED de la célula parpadea en verde.	Compruebe el nivel de sal.	Añada sal si es necesario para mantener un nivel mínimo de 3400 ppm.
	La célula tiene acumulación de calcio y requiere limpieza.	Consulte el procedimiento de mantenimiento para la limpieza con ácido. Véase el apartado "Mantenimiento del usuario"
	Compruebe la química y el equilibrio del agua. Tenga en cuenta que el contenido de metales debe ser de 0 ppm.	Elimine los metales del agua utilizando una solución química.

2 años de garantía limitada

Más información: www.pentairpooleurope.com

Solución de problemas (continuación)

Problema	Posible causa	Medida correctiva
El LED de flujo se ilumina en rojo.	La bomba no suministra flujo de agua suficiente.	Compruebe si la bomba funciona correctamente, es decir, si está cebada o si las cestas del prefiltro están obstruidas.
	Válvulas cerradas.	Compruebe y corrija la alineación de todas las válvulas.
	Filtro sucio.	Siga los procedimientos de limpieza del filtro.
	Obstrucción de la célula del clorador salino.	Extraiga la célula para su inspección. Siga los procedimientos de limpieza del filtro. Véase el apartado "Limpieza de la célula electrolítica"
La unidad SC-75 no recibe alimentación.	Fusible de la caja de alimentación abierta.	Sustituya el fusible de CA situado en la parte inferior de la caja de alimentación.
	Sin alimentación de CA a la caja de alimentación.	Compruebe que el cronómetro esté suministrando 220 V CA a la caja de alimentación cuando está activa.
	Cables del transformador no conectados correctamente a la caja de alimentación.	Compruebe que los cables del transformador estén correctamente conectados a una fuente de CA consultando el diagrama de cableado eléctrico situado en la tapa de la caja de alimentación.

Especificaciones del sistema - 230 V CA

Protección del circuito: dispositivo bipolar de 20 A en el panel eléctrico.

Modelo SC-75P (ALIMENTACIÓN ELÉCTRICA)

Entrada: 50Hz, 220-240 V CA, 220 W, 1 A

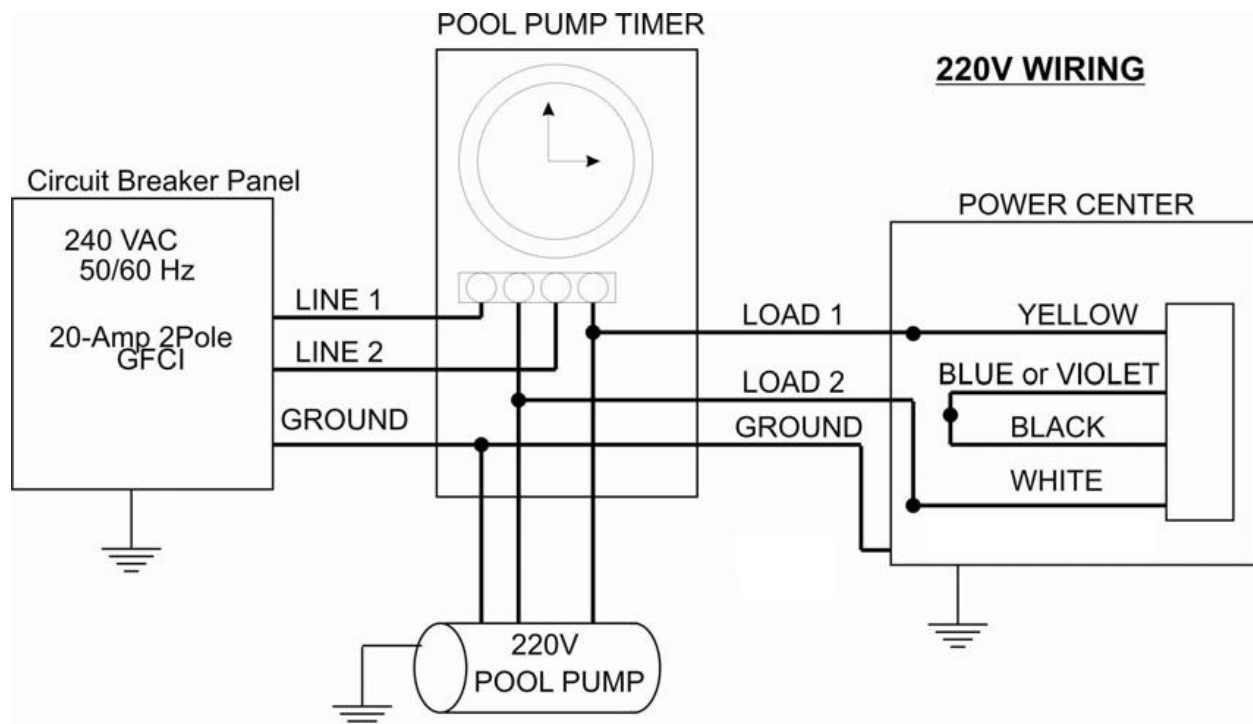
Salida: 28 V CA @ 5,2 A máximo

Flujo del agua: 6 m³/h (25 GPM) - **Flujo máx.:** 24 m³/h (105 GPM) - **Presión máx.:** 5 bar (75 PSI)

Instrucciones del cableado eléctrico de CA del sistema SC-75

- Si utiliza el clorador salino SC-75 y una bomba IntelliFlo (o una bomba de velocidad variable) con un sistema de automatización IntelliPool de Pentair, lea el manual de instalación del sistema IntelliPool - Apartado "Conexión del desinfectante - Clorador de sal opcional".

- Si utiliza el clorador salino SC-75 con el "Controlador de filtración ControlPro de Pentair" y una bomba de velocidad variable, lea el manual de instalación del "Controlador de filtración ControlPro de Pentair".





Assistenza clienti

HERENTALS, BELGIO (dalle 8:30 alle 16:30) CET

Sito web: www.pentairpooleurope.com

E-mail: poolemea@pentair.com

Dichiarazione di conformità

Dichiariamo, sotto la nostra responsabilità, che il prodotto identificato in questa dichiarazione e a cui questa dichiarazione si riferisce, è conforme ai requisiti di protezione della Direttiva 2006/42/CE del Consiglio.



Il produttore, Pentair, ha il diritto di modificare i prodotti senza preavviso, nella misura in cui tali modifiche non alterino le caratteristiche essenziali degli stessi.

© 2015 Pentair, Inc. Tutti i diritti riservati. Il presente documento è soggetto a modifica senza preavviso.

Marchi di fabbrica ed esclusioni di responsabilità: tutti i marchi commerciali e i loghi Pentair sono di proprietà di Pentair, Inc. Sta-Rite™, SC-75™, IntelliPool®, ControlPro™, Rainbow®, Eco Select® e Pentair Aquatic Systems™ sono marchi di fabbrica di Pentair Inc. e/o delle sue affiliate negli Stati Uniti e/o in altri paesi. Salvo esplicita indicazione, i nomi e i marchi di terzi eventualmente contenuti nel presente documento non sono utilizzati per indicare un'affiliazione o supporto fra i proprietari di tali nomi e marchi e Pentair Inc. Tali nomi e marchi possono essere marchi commerciali o marchi registrati dei terzi citati.

⚠ DANGER Il mancato rispetto delle istruzioni del presente manuale può comportare conseguenze gravi per la salute o addirittura conseguenze mortali. Il mancato rispetto delle istruzioni del presente manuale in qualsiasi caso rende nulle le garanzie e responsabilità da parte del produttore. GLI INSTALLATORI, I TECNICI E I PROPRIETARI DEVONO LEGGERE LE PRESENTI AVVERTENZE E TUTTE LE ISTRUZIONI CONTENUTE NEL MANUALE D'USO PRIMA DI UTILIZZARE IL PULITORE. LE PRESENTI AVVERTENZE E IL MANUALE D'USO DEVONO ESSERE LASCIATI AL PROPRIETARIO DELLA CASA.

AVVERTENZA IMPORTANTE E ISTRUZIONI DI SICUREZZA



Avvertenza importante:

⚠ WARNING Avviso per gli installatori: questa guida contiene informazioni importanti per l'installazione, il funzionamento e l'uso sicuro del prodotto. Tali informazioni devono pertanto essere consegnate al proprietario e/o all'utente di questa apparecchiatura dopo l'installazione del produttore di cloro a sale.

Avviso per gli utenti: questo manuale contiene informazioni importanti per il funzionamento e la manutenzione di questo produttore di cloro a sale. Va conservato per futura consultazione. Rivolgersi a Pentair per eventuali domande sull'apparecchiatura.

Prima di installare il prodotto, leggere attentamente e rispettare tutte le istruzioni e le avvertenze contenute nel presente manuale. La mancata osservanza delle istruzioni e delle avvertenze sulla sicurezza potrebbe provocare danni alle cose, lesioni personali o morte. Visitare www.pentairpooleurope.com per ricevere ulteriori copie gratuite di queste istruzioni.

Informazioni per il consumatore e sicurezza

Il produttore di cloro a sale è progettato e realizzato per garantire diversi anni di funzionamento sicuro e affidabile, purché installato, utilizzato e sottoposto a manutenzione in base alle informazioni contenute nel presente manuale. In tutto il manuale, avvisi di sicurezza e avvertenze sono identificati dal simbolo "⚠". Accertarsi di leggere tutte le avvertenze e gli avvisi e comportarsi di conseguenza.

⚠ WARNING Per evitare il rischio di infortuni, impedire l'uso di questo prodotto da parte dei bambini. La manutenzione deve essere effettuata esclusivamente da personale qualificato.

⚠ WARNING **UN CABLAGGIO ERRATO PUÒ PORTARE ALL'ACCUMULO DI GAS CLORO:** per ridurre il rischio di lesioni personali, la centralina del produttore di cloro a sale SC-75 deve essere installata e cablata sul lato di carico dell'interruttore a tempo a controllo elettronico, o sul lato di carico del relè, in modo da essere alimentata solo quando la pompa della piscina è in funzione. In caso contrario, si può verificare un accumulo pericoloso di gas cloro. L'unità non deve mai essere alimentata quando la pompa della piscina è DISATTIVATA e non circola acqua nell'unità.

Mai utilizzare SC-75 senza una portata o una circolazione d'acqua adeguata. L'eventuale accumulo di gas infiammabili crea condizioni pericolose.

⚠ CAUTION Il produttore di cloro a sale SC-75 è destinato all'uso per piscine permanenti e, se specificamente indicato, con vasche termali e per idromassaggio. Non utilizzare con piscine smontabili o di acciaio. Per piscina a installazione permanente si intende una vasca interrata o costruita sul terreno o in un edificio in modo tale da non poter essere smontata o ripiegata. Una piscina smontabile può essere rapidamente smontata per essere stoccata e rimontata per l'uso.

AVVERTENZE IMPORTANTI E ISTRUZIONI DI SICUREZZA - SEGUE

⚠ WARNING Per preparare soluzioni di acido e acqua, **AGGIUNGERE SEMPRE L'ACIDO ALL'ACQUA. MAI AGGIUNGERE L'ACQUA ALL'ACIDO.**

⚠ CAUTION L'uso di sostanze chimiche diverse da quelle consigliate può essere pericoloso. Anche l'uso corretto delle sostanze chimiche consigliate può essere pericoloso. Seguire le istruzioni dei produttori delle sostanze chimiche.

⚠ CAUTION Per ridurre il rischio di scossa elettrica, installare il produttore di cloro a sale SC-75 ad almeno 1,5 m di distanza dalla parete interna della piscina. Installare l'unità ad almeno un metro di distanza dall'uscita del riscaldatore.

⚠ WARNING Il sale è un materiale potenzialmente corrosivo. Sebbene i livelli di sale richiesti per il corretto funzionamento del produttore di cloro a sale SC-75™ siano relativamente bassi rispetto a quelli presenti nell'acqua di mare e in altre soluzioni saline, immettere una quantità di sale nella piscina aumenta la possibilità di corrosione o deterioramento delle attrezzature e delle superfici interne e circostanti della vasca. I componenti in metallo (incluse le piscine di acciaio) e determinate superfici naturali e artificiali sono particolarmente esposti al rischio di corrosione e deterioramento se immerse o collocate nelle vicinanze di piscine ad acqua salata. Pentair Aquatic Systems ("Pentair") non assicura né in altro modo garantisce che l'impiego corretto del produttore di cloro a sale SC-75 prevenga la corrosione o il deterioramento delle attrezzature o di qualsivoglia superficie interna o circostante la vasca. Consultare un esperto di piscine riguardo alla selezione dei materiali adeguati e alle relative tecniche di installazione nonché al loro utilizzo e alla manutenzione a seconda della tipologia specifica di vasca e della sua collocazione per ridurre il rischio di corrosione e deterioramento tipico dello spazio interno e circostante una vasca ad acqua salata.

Termini e condizioni della garanzia limitata

Prima di installare SC-75, leggere e comprendere tutte le avvertenze e le informazioni su garanzia e sicurezza di questa guida. La mancata osservanza delle istruzioni o un'installazione non corretta del pulitore potrebbero provocare danni alla finitura della piscina o al rivestimento vinilico. Pentair Aquatic Systems declina qualsivoglia responsabilità per la riparazione o il ricambio di queste strutture o componenti della piscina del cliente.

Garanzia limitata: due anni

Per ulteriori dettagli: www.pentairpooleurope.com

Esclusione di responsabilità - Informazioni sulla piscina e sulle attrezzature

Ci sono una serie di fattori che contribuiscono alla vita utile di una piscina.

È necessario essere consapevoli del fatto che, nel tempo, il deterioramento, lo scolorimento e la fragilità di qualsiasi finitura di piscina possono essere causati dai seguenti fattori, congiuntamente o singolarmente: età, squilibrio chimico dell'acqua della piscina, installazione non corretta e altri.

Lo stesso vale per le piscine interrate con rivestimento vinilico, poiché anche tale rivestimento è condizionato dall'ambiente e da fattori quali la chimica dell'acqua della piscina, la luce del sole e gli elementi che circondano la piscina stessa. Pertanto, nel tempo il vinile può farsi fragile e debole. Inoltre, le piscine con rivestimento vinilico risentono di lavorazione, composizione e installazione del rivestimento, oltre che di lavorazione e qualità costruttiva delle pareti di supporto e del fondo della piscina. Questi sono tutti fattori che possono contribuire al deterioramento del rivestimento. Il produttore declina qualsivoglia responsabilità per riparazioni o ricambi di queste strutture o componenti della piscina del cliente.

Il proprietario della piscina deve assumersi tutta la responsabilità delle condizioni e della manutenzione della superficie, dell'acqua e dello spazio attorno alla piscina.

Prima di installare il produttore di cloro a sale SC-75 è opportuno registrarne il numero di serie. Sarà necessario fornire tale numero quando si contatterà il reparto di assistenza tecnica.

N. DI SERIE _____

PANORAMICA SUL produttore di cloro a sale SC-75™

Il produttore di cloro a sale SC-75 si avvale del cosiddetto processo di elettrolisi per produrre gas cloro, che si dissolve immediatamente in soluzione creando un disinfettante per l'acqua di piscine e vasche termali a base di acido ipocloroso e ipoclorito, a partire dall'aggiunta all'acqua della piscina di una piccola concentrazione di sale. L'ipoclorito e l'acido ipocloroso uccidono i batteri, ossidano il materiale organico ed eliminano le alghe, per poi trasformarsi nuovamente in sale. Dopodiché, SC-75 riutilizza il sale e il processo ricomincia daccapo. L'impianto di SC-75 include la cella e la centralina.

CAUTION Il produttore di cloro a sale SC-75 è concepito esclusivamente per produrre cloro. L'unità non monitora né controlla i livelli di cloro nell'acqua della piscina o della vasca termale. Il proprietario della piscina ha la responsabilità di monitorare e mantenere i livelli di cloro libero entro l'intervallo consigliato da APSP: 2,0 - 4,0 parti per milione (ppm). Il proprietario della piscina ha inoltre la responsabilità di verificare regolarmente il livello di cloro libero durante il funzionamento della pompa della piscina e regolare SC-75 di conseguenza.

WARNING Il sale è un materiale potenzialmente corrosivo. Sebbene i livelli di sale richiesti per il corretto funzionamento del produttore di cloro a sale SC-75 siano relativamente bassi rispetto a quelli dell'acqua di mare e altre soluzioni saline, immettere una qualsiasi quantità di sale nella piscina aumenta la possibilità di corrosione o deterioramento delle attrezzature e delle superfici interne e circostanti della vasca. I componenti in metallo (incluse le piscine di acciaio) e determinate superfici naturali e artificiali sono particolarmente esposti al rischio di corrosione e deterioramento se immerse o collocate nelle vicinanze di piscine ad acqua salata. Pentair Aquatic Systems ("Pentair") non assicura né in altro modo garantisce che l'impiego corretto del produttore di cloro a sale SC-75 prevenga la corrosione o il deterioramento delle attrezzature o di qualsivoglia superficie interna o circostante la vasca. Consultare un esperto di piscine riguardo alla selezione dei materiali adeguati e alle relative tecniche di installazione nonché al loro utilizzo e alla manutenzione a seconda della tipologia specifica di vasca e della sua collocazione per ridurre il rischio di corrosione e deterioramento tipico dello spazio interno e circostante una vasca ad acqua salata.

CAUTION PER TUTTE LE PISCINE CON INTONACO APPENA REALIZZATO O RINNOVATO: evitare di utilizzare SC-75 in piscine con intonaco appena realizzato o rinnovato. Il sale è un elemento corrosivo, che può causare gravi danni alla piscina. Attendere almeno UN (1) MESE dopo la costruzione per consentire all'intonaco di stabilizzarsi prima di immettere sale e utilizzare SC-75. Seguire le indicazioni specifiche del produttore della propria piscina. PER LE PISCINE NUOVE CON RIVESTIMENTO IN VINILE, contattare il produttore e richiedere indicazioni prima di immettere sale e utilizzare SC-75.

Componenti dell'impianto di SC-75

Un produttore di cloro a sale SC-75 comprende uno o più dei seguenti elementi:

- **Cella Y1146:** progettata per piscine fino a 90 m³, la cella produrrà l'equivalente di 0,45 kg di cloro puro per 24 ore di funzionamento continuo della pompa della piscina.
- **SC-75P :** centralina. Alimenta la cella di SC-75.

Descrizione del pannello di controllo e della cella del produttore di cloro a sale SC-75

SC-75 include un pannello di controllo con pulsanti e indicatori LED per controllare l'unità e produrre cloro. SC-75 misura la temperatura dell'acqua e il livello del sale per produrre cloro nelle quantità definite. Se il livello del sale nell'acqua della piscina è troppo basso (colore rosso sul display del sale), la cella viene disattivata finché non ne venga immesso. Il controller ha un ciclo di autopulizia che inverte la polarità della cella, riducendo l'accumulo di calcio. Questa funzionalità attiva e disattiva la cella a intervalli regolari, per ridurre al minimo l'accumulo di calcio e calcare, prolungandone ulteriormente la vita.

SC-75 contiene l'elettronica di controllo e gli elettrodi bipolari che producono cloro elettricamente quando vengono alimentati con corrente continua. Il cloro viene generato man mano che l'acqua della piscina, contenente sale, passa attraverso la cella. La produzione di cloro può essere variata regolando il livello di emissione del disinfettante sul pannello di controllo e/o variando il numero di ore giornaliere di funzionamento dell'unità. SC-75 inverte automaticamente le pale dell'elettrodo della cella a intervalli di qualche ora per pulire la cella. Tale processo non interrompe la produzione di cloro. SC-75 contiene inoltre un sensore di portata meccanico, per verificare che attraverso la cella passi una quantità d'acqua sufficiente a consentire la produzione di cloro. SC-75 misura automaticamente la salinità e la temperatura dell'acqua e visualizza tre (3) intervalli di salinità sul pannello di controllo utilizzando indicatori LED. Il KECG include un cavo di tre metri per il collegamento alla centralina.

- Sensore di portata: il sensore di portata garantisce che vi sia sempre un flusso d'acqua adeguato attraverso SC-75. Se SC-75 non viene dotato di allacci idraulici corretti e/o non riceve una portata sufficiente, non si ha produzione di cloro.
- Sensore di temperatura: per proteggere SC-75 da danni di funzionamento e potenziali quando la temperatura dell'acqua della piscina scende al di sotto degli 11°C , $\pm 1,67^{\circ}\text{C}$, il sensore di temperatura disattiva la cella, accende la spia dell'ACQUA FREDDA e in tal modo interrompe la produzione di cloro.
- Sensore del sale: due (2) sonde con sensore del sale vengono attivate ogni volta che SC-75 viene acceso e ogni 12 ore di funzionamento continuo. In ciascuna di queste occasioni, la spia LED che indica il livello del sale lampeggia in sequenza di scorrimento per due (2) minuti, a indicare che SC-75 è in modalità di analisi. Dopo due (2) minuti, le spie LED segnalano uno (1) dei tre (3) intervalli di salinità. Per ulteriori informazioni, consultare "LED di stato del livello di sale".

Nota: il margine di errore della lettura del sensore del sale è pari a ± 500 ppm.

Centralina SC-75

L'alimentazione elettrica è collegata alla fonte elettrica della pompa di circolazione della piscina, in modo che SC-75 funzioni solo quando la pompa della piscina è attiva. La centralina va installata verticalmente sulla parete, a un massimo di tre (3) metri di distanza dalla cella. La centralina contiene trasformatore, fusibile e connettore alla cella. Nella parte inferiore della centralina è installato un portafusibile, che garantisce ulteriore protezione. Non ci sono altri controlli o spie sulla centralina. Per informazioni sull'installazione e l'uso corretto della centralina, consultare la "Guida all'installazione della centralina di SC-75".

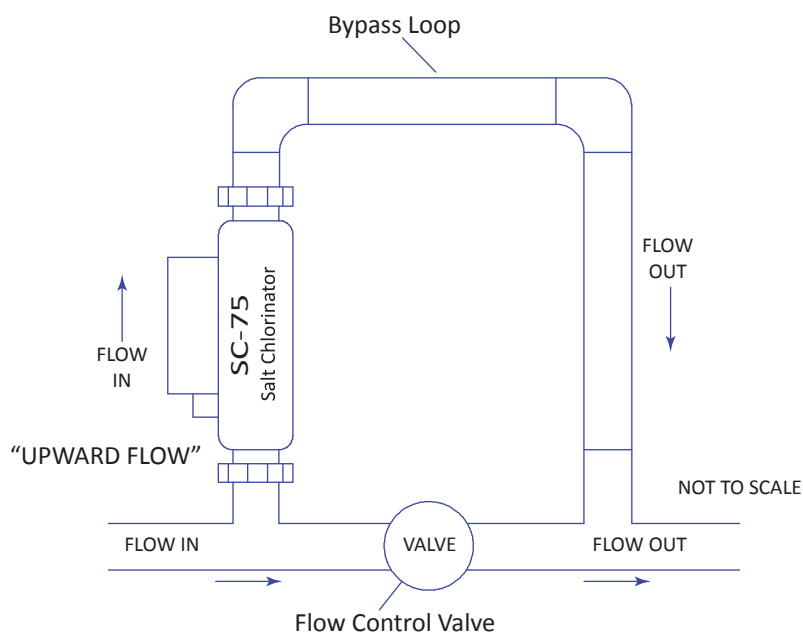
CAUTION La centralina di SC-75 NON controlla la pompa. Il produttore di cloro a sale SC-75 produce cloro solo quando la pompa è attiva.



CAUTION Prima di connettere il produttore di cloro a sale SC-75 alla centralina o scollegarlo, disattivare innanzitutto l'alimentazione a corrente alternata della centralina.

Diagramma del circuito idraulico

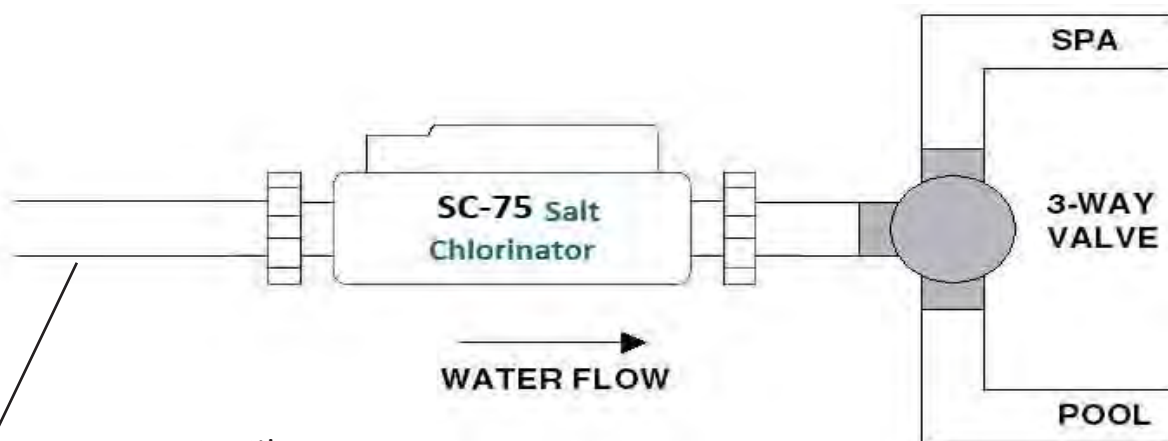
Il produttore di cloro a sale SC-75 è progettato per funzionare con portate comprese fra 5,7 m³/ora e 24 m³/ora. Per portate superiori a 18 m³/ora è necessario utilizzare un circuito di derivazione (illustrato in basso) per una produzione di cloro ottimale. Fra le installazioni con portate superiori a 18 m³/ora vi sono quelle che presentano impianti di pulizia interrati o pompe di carico. Tali impianti DEVONO avvalersi di un circuito di derivazione insieme a SC-75, con una valvola di regolazione della portata che garantisca il mantenimento della portata attraverso SC-75 entro l'intervallo stabilito.



Schema idraulico di SC-75

Installazione dell'impianto idraulico del produttore di cloro a sale SC-75:

- Installare sempre il produttore di cloro a sale SC-75 DOPO il filtro e il riscaldatore. SC-75 non deve trovarsi a meno di un metro dall'uscita del riscaldatore.
- Se SC-75 viene installato su un impianto combinato piscina/vasca termale, installare (come da schema in basso) SC-75 PRIMA della valvola limitatrice di pressione della piscina/vasca termale, per consentire una corretta produzione di cloro sia nella piscina che nella vasca termale ed evitare di generare accumuli di gas nelle tubazioni.



Nota: per una portata ottimale, prevedere almeno 30 - 45 cm di tubo dritto di fronte all'ingresso della cella.

NON IN SCALA

Pannello di controllo di SC-75

INDICATORI A LED DEL LIVELLO DI SALE

SC-75 verifica il livello di sale nell'acqua della piscina ogni giorno e lo indica come segue:

LED VERDE: buona quantità di sale. Il livello di sale nell'acqua della piscina è compreso fra 2.800 e 4.500 ppm e SC-75 sta producendo cloro. Per ottenere risultati ottimali, il LED del sale di SC-75 dovrebbe essere sempre VERDE. Il livello di sale ideale è pari a 3400 ppm.

LED VERDE (LAMPEGGIANTE): livello del sale al di sopra di 4.500 ppm. Il cloro viene prodotto, ma il livello di sale è troppo elevato, con conseguente aumento del rischio di corrosione e deterioramento delle attrezzature della piscina e delle superfici all'interno e intorno a essa. L'acqua della piscina deve essere sostituita 300 mm alla volta, fino a portare il livello di sale al di sotto di 4.500 ppm.

LED ROSSO: sale insufficiente. Il livello di sale nell'acqua è al di sotto di 2.800 ppm. SC-75 produce cloro con efficienza ridotta. Si consiglia di immettere sale (*)

LED ROSSO LAMPEGGIANTE: sale gravemente insufficiente. Il livello di sale nell'acqua è sceso al di sotto di 2.600 ppm. SC-75 non produrrà cloro finché non verrà immesso del sale. SC-75 è disattivato. (*)

(*) Dopo ciascuna immissione di sale, la pompa deve stare in funzione per almeno 24 ore per garantire una corretta diluizione. Le letture della salinità vanno effettuate solo dopo il periodo di diluizione di 24 ore.

INDICATORI A LED DI STATO

CELLA: MOSTRA LO STATO DI SC-75

VERDE LAMPEGGIANTE: è necessario ispezionare SC-75. È possibile che le pale siano calcificate. SC-75 non produce cloro.

VERDE: SC-75 funziona correttamente e produce cloro

INDICATORE SPENTO: SC-75 è spento e non produce cloro. È possibile che sia spento per il processo di disinfezione; tornerà in funzione a tempo debito.

ROSSO: SC-75 è in modalità "standby" (impianto spento, generazione di cloro non attiva) a causa di condizioni climatiche fredde. SC-75 riprenderà a produrre cloro quando la temperatura dell'acqua tornerà al di sopra degli 11 °C.

PORTATA: QUESTA SPIA INDICA LO STATO DELLA PORTATA D'ACQUA ATTRAVERSO SC-75

ROSSO: portata d'acqua attraverso SC-75 insufficiente; nessuna produzione di cloro.

ROSSO: portata d'acqua attraverso SC-75 sufficiente; produzione di cloro attiva.

INDICATORI LED DI PRODUZIONE

I tre (3) indicatori LED sono grafici a barre che indicano la percentuale di tempo durante quale il cloro viene prodotto per ora di funzionamento della pompa. In modalità BOOST, questi LED lampeggiano dal basso verso l'alto.

Nota: se non ci sono LED illuminati, la produzione è impostata a 0% e il produttore di cloro a sale SC-75 non produce cloro.

- 0% 0 LED illuminati - Produzione di cloro assente - produttore di cloro a sale SC-75 disattivato.
- 33,3% 1 LED illuminato - produce cloro per il 33% di ogni ora di funzionamento della pompa.
- 66,6% 2 LED illuminati - produce cloro per il 66% di ogni ora di funzionamento della pompa.
- 100% 3 LED illuminati - produce cloro per il 100% di ogni ora di funzionamento della pompa.

Pulsanti di produzione Più e Meno

I pulsanti Più e Meno controllano la percentuale di ciascuna ora durante la quale il produttore di cloro a sale SC-75 produce cloro mentre la pompa è in funzione (si veda la sezione precedente Indicatori LED di produzione del disinfettante). Gli indicatori funzionano come un grafico a barre: più ne sono accesi, più cloro viene prodotto. Per accedere ai pulsanti Più, Meno e modalità Boost attivata/disattivata, sollevare il coperchio del pannello. Per uscire dalla modalità Boost, tenere premuti entrambi i pulsanti.

Più: aumenta il tempo di produzione di cloro da parte della cella.

Meno: diminuisce il tempo di produzione di cloro da parte della cella.

Modalità Boost attivata/disattivata: tenere premuti contemporaneamente i pulsanti Più e Meno per attivare o disattivare la modalità Boost. La modalità Boost imposta al 100% la produzione di disinfettante per le successive 24 ore di funzionamento della pompa della piscina. Se la funzione cronometrica disattiva il ciclo della pompa e poi ripristina l'alimentazione il giorno seguente, la modalità Boost continuerà fino al raggiungimento delle 24 ore dalla sua attivazione o finché l'utente non la disattivi. Il display di produzione del disinfettante mostrerà un pattern LED per indicare la modalità Boost.

Autopulizia

La funzionalità di autopulizia riduce l'accumulo di calcare sulle pale di SC-75. Il ciclo di autopulizia tende a ridurre la vita utile di SC-75, pertanto va utilizzato solo nella misura strettamente necessaria a ridurre al minimo l'accumulo di calcare sulle pale. Il ciclo di autopulizia può essere regolato per entrare in funzione ogni 3, 4 o 5 ore, a seconda delle condizioni particolari della piscina, al fine di ridurre al minimo l'accumulo di calcare e ottimizzare la vita utile di SC-75. L'impostazione predefinita è di due (2) ore per i primi 30 giorni di funzionamento, dopo i quali passa automaticamente a tre (3) ore. Per modificare il ciclo di autopulizia, tenere premuto il pulsante MENO per tre (3) secondi. Il display di produzione del disinfettante riporterà il numero di ore in stile grafico a barre. Il numero di LED di produzione accesi indica il numero di ore di inversione. Questa impostazione è modificabile con i pulsanti Più e Meno.

Chimica dell'acqua della piscina, condizioni e precauzioni

Questa sezione descrive la procedura di avviamento e le istruzioni d'uso del produttore di cloro a sale SC-75.

Chimica dell'acqua della piscina, condizioni e precauzioni

1. Acqua di una piscina nuova: una piscina riempita o rifinita di recente può contenere sostanze indesiderate. Tali sostanze potrebbero interferire con la corretta produzione di cloro da parte di SC-75. È necessario che l'acqua sia testata da un tecnico qualificato e correttamente bilanciata prima di attivare il produttore di cloro a sale SC-75.

⚠ WARNING Il sale è un materiale potenzialmente corrosivo. Sebbene i livelli di sale necessari a garantire il corretto funzionamento del produttore di cloro a sale SC-75 siano relativamente contenuti rispetto a quelli dell'acqua marina e di altre soluzioni saline, versare del sale nella vasca aumenta il rischio di corrosione o di altri fenomeni di deterioramento delle attrezzature e delle superfici interne e circostanti la vasca. I componenti in metallo (incluse le piscine di acciaio) e determinate superfici naturali e artificiali sono particolarmente esposti al rischio di corrosione e deterioramento se immerse o collocate nelle vicinanze di piscine ad acqua salata. Pentair Aquatic Systems ("Pentair") non assicura né in altro modo garantisce che l'impiego corretto del produttore di cloro a sale SC-75 prevenga la corrosione o il deterioramento delle attrezzature o di qualsivoglia superficie interna o circostante la vasca. Consultare un esperto di piscine riguardo alla selezione dei materiali adeguati e alle relative tecniche di installazione nonché al loro utilizzo e alla manutenzione a seconda della tipologia specifica di vasca e della sua collocazione per ridurre il rischio di corrosione e deterioramento tipico dello spazio interno e circostante una vasca ad acqua salata.

2. La superclorazione elimina i residui organici che si sono combinati con il cloro. Questa procedura libera il cloro per la disinfezione. Tale risultato si ottiene innalzando il livello di cloro in modo rapido e netto. Quando il livello di cloro è innalzato fino a dieci (10) volte la quantità di cloro combinato (solitamente fra 5 e 10 ppm), si dice che nell'acqua della piscina è avvenuta una superclorazione. Man mano che l'acqua della piscina passa attraverso SC-75 con l'unità accesa, in essa avviene la superclorazione. Quando il produttore di cloro a sale SC-75 viene utilizzato in una piscina, l'acqua diviene effervescente e non brucia gli occhi, alla luce dell'assenza di clorammine.

Nota: all'utilizzo iniziale di una piscina, è meglio effettuare la superclorazione usando una fonte esterna, ovvero un trattamento pesante, reperibile presso il proprio fornitore locale.

3. Le clorammine non devono essere presenti nell'acqua della piscina. Le clorammine si formano quando l'ammoniaca (presente in urina e sudore) si combina con il cloro libero. Questo processo vincola il cloro libero presente nella piscina e non gli consente di svolgere la propria azione disinfettante. Le clorammine, inoltre, causano bruciore agli occhi e hanno un odore sgradevole. È opportuno avvalersi della superclorazione per rimuovere le clorammine al primo utilizzo della piscina e secondo necessità per mantenere livelli sufficienti di cloro libero.

4. L'acido cianurico è necessario nelle piscine all'aperto per contribuire a stabilizzare i livelli di cloro e mantenerli. Il 90% del cloro non stabilizzato viene distrutto dai raggi solari UV entro due ore. L'acido cianurico stabilizza il cloro nell'acqua e previene il degrado causato dai raggi UV. Quando si usa SC-75, il livello dell'acido cianurico deve essere mantenuto fra 30 e 50 ppm. Si veda la Tabella 2.

NOTA: EVITARE DI USARE L'ACIDO CIANURICO NELLE PISCINE COPERTE.

5. Solidi disciolti totali (TDS): l'introduzione di sale nell'acqua della piscina aumenterà il livello di TDS. Sebbene questo non abbia effetti negativi sulla chimica o sulla limpidezza dell'acqua della piscina, il tecnico incaricato di testare il livello di TDS deve essere informato dell'immissione di sale nell'impianto SC-75. L'incaricato del test TDS potrà quindi sottrarre il livello di salinità per arrivare a un livello di TDS compatibile con una lettura di TDS per una piscina contenente acqua non salata.

6. Metalli - Alcuni metalli, ad esempio rame e ferro, possono causare la perdita di cloro. Inoltre, possono macchiare la piscina. I metalli possono anche danneggiare il produttore di cloro a sale SC-75. È opportuno chiedere al proprio tecnico di riferimento di verificare la presenza di metalli e indicare le modalità di rimozione.

7. Nitrati e fosfati possono causare un'elevata necessità di cloro ed eliminarlo dalla piscina. In alcuni casi, i nitrati possono addirittura azzerare il cloro. Rivolgersi al proprio tecnico di riferimento per effettuare un test sulla presenza di nitrati e fosfati. Idealmente, i nitrati dovrebbero essere pari a 0 ppm e comunque MAI in quantità superiore a 10 ppm. I fosfati non devono mai superare le 125 parti per miliardo (parts per billion, ppb).

Condizioni chimiche dell'acqua ideali per piscine contenenti acqua salata (usando il produttore di cloro a sale SC-75)

In linea con gli standard dell'Association of Pool and Spa Professionals (APSP), si consiglia di mantenere costantemente le seguenti condizioni chimiche dell'acqua della piscina, per tutelare gli utenti, le attrezzature della piscina e le superfici all'interno e intorno a essa. Questi valori sono importanti per mantenere le attrezzature della piscina in condizioni di funzionamento adeguate e prevenire corrosione, calcificazione e altri problemi. Si garantisce il corretto funzionamento del produttore di cloro a sale SC-75 solo in presenza di queste condizioni. Per ulteriori informazioni, fare riferimento all'agenzia avente giurisdizione a livello locale: NSPI (National Spa and Pool Institute), CDC (Centers for Disease Control) o OMS (Organizzazione Mondiale della Sanità).

Cloro libero:	2,0 - 4,0 ppm. Una quantità superiore a 4,0 ppm può causare corrosione dei componenti metallici
Cloro combinato (cloramine):	zero (avvalersi della superclorazione per rimuovere tutte le cloramine)
pH:	7,2 - 7,8 (usare L'ACIDO MURIATICO per abbassare il pH e il carbonato di sodio per alzarlo).
Acido cianurico:	30 - 50 ppm
Alcalinità totale:	80 - 120 ppm
Durezza da calcio:	200 - 400 ppm
TDS (sale compreso):	da un minimo di 3000 a un massimo di 5700 - 6000 ppm
Sale:	3000 - 4500 ppm (idealmente 3400 ppm)
Metalli (rame, ferro, manganese):	zero
Nitrati:	zero
Fosfati:	meno di 125 ppb
Indice di saturazione	da -0,3 a 0,3 (idealmente zero (0))

Piscine coperte e rivestite in vinile e abbassamento dei livelli di produzione del cloro

Quando si usa il produttore di cloro a sale SC-75 nelle piscine coperte e/o con rivestimento in vinile è necessario meno cloro. Si consiglia di abbassare il livello di produzione di cloro quando la piscina è coperta.

Test del cloro

Si consiglia di prelevare i campioni per i test del cloro da due (2) punti della piscina. Confrontare i campioni. Dovrebbe essere rilevato un livello più alto presso il tubo di ritorno della piscina. Tale livello più alto indica che SC-75 sta producendo cloro. Prelevare campioni di cloro da testare:

- presso il tubo di ritorno della piscina.
- 450 m sotto la superficie, a distanza dal tubo di ritorno della piscina.

Che tipo di sale utilizzare

Più il sale è puro, maggiore è la vita utile e superiori le performance del produttore di cloro a sale SC-75. Utilizzare cloruro di sodio puro al 99,8% almeno. Il sale ideale è sale non iodato per uso alimentare, granulato e di evaporazione, senza additivi. Consultare il proprio tecnico/fornitore di sale di fiducia.

- Evitare di usare sale con agenti antiagglomeranti (ferrocianuro di sodio, noto anche come YPS o prussiato giallo di soda). Gli agenti di riempimento possono causare la scoloritura dei raccordi e delle finiture della piscina.
- Il sale in pellet per il condizionamento dell'acqua è una forma compressa di sale di evaporazione e può essere utilizzato, ma richiede più tempo per sciogliersi. I pellet possono danneggiare l'intonaco della piscina e altre superfici all'interno e intorno a essa.
- Evitare l'uso di cloruro di calcio o di potassio come fonti di sale. (Usare solo il cloruro di sodio).
- Evitare di usare il salgemma (le impurità insolubili a essa mescolate possono accorciare la vita utile di SC-75).

Quanto sale usare?

CAUTION PER TUTTE LE PISCINE CON INTONACO APPENA REALIZZATO O RINNOVATO: evitare di utilizzare SC-75 in piscine con intonaco appena realizzato o rinnovato. Il sale è un elemento corrosivo, che può causare gravi danni alla piscina. Attendere almeno UN (1) MESE dopo la costruzione per consentire all'intonaco di stabilizzarsi prima di immettere sale e utilizzare SC-75. Seguire le indicazioni specifiche del produttore della propria piscina.

PER LE PISCINE NUOVE CON RIVESTIMENTO IN VINILE, contattare il produttore e richiedere indicazioni prima di immettere sale e utilizzare SC-75.

Usare la Tabella 1 per stabilire quanto sale sia necessario. La maggior parte delle piscine contiene un po' di sale, a seconda della sorgente idrica e delle sostanze chimiche usate per la disinfezione. Pertanto, il proprietario della piscina deve sempre testare i livelli di sale prima di immetterne dell'altro. È possibile avvalersi di un misuratore manuale tarato per il cloruro di sodio (sale) per determinare i livelli di sale dell'acqua della piscina. Una volta azionato il produttore di cloro a sale SC-75, le spie LED del livello del sale lampeggiano dal basso verso l'alto per due (2) minuti durante l'analisi dell'acqua della piscina, dopodiché gli indicatori LED indicheranno uno (1) di quattro (4) intervalli di livello di sale. Questa luce solida indica lo stato del sale della piscina.

- Il livello consigliato per condizioni ideali dell'acqua è fra 3000 e 3500 ppm.
- Una concentrazione di sale bassa, al di sotto di 2600 ppm, causerà lo spegnimento dell'unità.
- Una concentrazione elevata di sale, al di sopra di 4500 ppm, può causare una corrosione o deterioramento eccessivo delle attrezzature della piscina e delle superfici interne e circostanti la piscina.

Nota: le misurazioni del sale varieranno a seconda dei dispositivi usati (strisce per test, tester elettronici e titolazione). Il margine di errore della lettura del sensore del sale è pari a +/- 500 ppm. Per ulteriori informazioni di ricerca guasti relativi a livelli eccessivi di sale, si veda la sezione "Ricerca guasti".

Calcolo dell'indice di saturazione

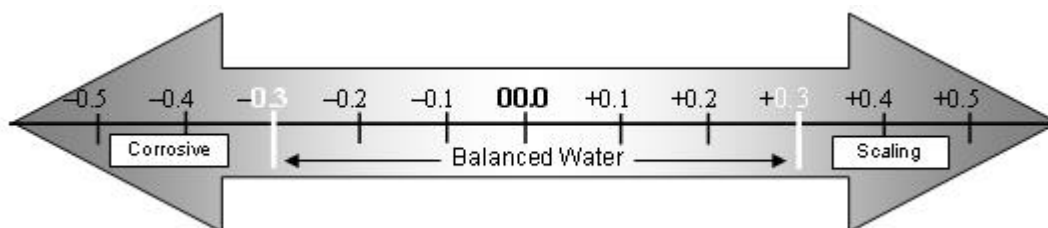
L'indice di saturazione è una formula che mette in relazione pH, calcio e alcalinità nell'acqua della piscina. Un'acqua ben bilanciata darà un risultato compreso fra -0,3 e 0,3. Al di fuori di questo intervallo, l'acqua della piscina non è bilanciata ed è possibile che danneggi le attrezzature o favorisca la formazione di calcare in SC-75. L'equazione per calcolare l'indice di saturazione (SI) è la seguente:

SI = pH + CHF + AF + TF + TDSF					
Indice di saturazione	pH da test	Fattore di durezza da calcio	Fattore di alcalinità	Fattore di temperatura	Fattore TDS

L'acido cianurico sotto forma di ioni di cianurato contribuisce all'alcalinità. Pertanto, è necessaria una correzione all'alcalinità totale. Sottraiamo un terzo del livello di acido cianurico dalla lettura ottenuta nel test di alcalinità totale.

Alcalinità totale - 1/3 acido cianurico = Alcalinità corretta

Tale correzione può essere notevole in piscine utilizzate da tempo con livelli di acido cianurico elevato. Ad esempio, a 240 ppm di acido cianurico, la correzione ammonta a 80 ppm (240 ÷ 3 = 80).



Fattore TDS (I fattori riportati in basso si basano sul valore misurato reale per quel determinato parametro)

TDS	Fattore
<1000	12,10
1000	12,19
2000	12,29
3000	12,35
4000	12,41
5000	12,44

Fattori dell'indice di saturazione di Langelier

Temperature			Calcium Hardness		Total Carbonate Alkalinity	
°F	°C	TF	ppm (mg/L)	CHF	ppm (mg/L)	AF
32	0.0	0.0	25	1.0	25	1.4
37	2.8	0.1	50	1.3	50	1.7
46	7.8	0.2	75	1.5	75	1.9
53	11.7	0.3	100	1.6	100	2.0
60	15.6	0.4	125	1.7	125	2.1
66	18.9	0.5	150	1.8	150	2.2
76	24.4	0.6	200	1.9	200	2.3
84	28.9	0.7	250	2.0	250	2.4
94	34.4	0.8	300	2.1	300	2.5
105	40.6	0.9	400	2.2	400	2.6
			800	2.5	800	2.9

Come immettere sale nella piscina

CAUTION PER TUTTE LE PISCINE CON INTONACO APPENA REALIZZATO O RINNOVATO: evitare di utilizzare SC-75 in piscine con intonaco appena realizzato o rinnovato. Il sale è un elemento corrosivo, che può causare gravi danni alla piscina. Attendere almeno UN (1) MESE dopo la costruzione per consentire all'intonaco di stabilizzarsi prima di immettere sale e utilizzare SC-75. Seguire le indicazioni specifiche del produttore della propria piscina.

PER LE PISCINE NUOVE CON RIVESTIMENTO IN VINILE, contattare il produttore e richiedere indicazioni prima di immettere sale e utilizzare SC-75.

1. Verificare il livello del sale nell'acqua della piscina prima di immetterne dell'altro.
2. Stabilire la quantità di sale dalle seguenti tabelle.
3. Versare lentamente il sale attorno al perimetro esterno della piscina, per una distribuzione rapida e uniforme.
 - a. Per evitare di intasare il filtro o danneggiare le attrezzature della piscina o le superficie interne e circostanti, evitare di immettere sale attraverso lo skimmer o il serbatoio di espansione.
4. Spazzolare il fondo della piscina e consentire all'acqua di circolare per 24 ore al fine di sciogliere completamente il sale.
5. Dopo 24 ore, verificare la lettura corretta del livello di sale osservando gli indicatori LED del produttore di cloro a sale SC-75 e con un metodo di lettura separato affidabile.
6. Alimentare il produttore di cloro a sale SC-75 e selezionare il livello corretto di produzione del disinfettante, per mantenere i giusti livelli di cloro libero nell'acqua della piscina (vale a dire entro l'intervallo consigliato dall'APSP di 2,0 - 4,0 ppm).

Preparazione dell'acqua della piscina

Stabilire le dimensioni della piscina (litri d'acqua presenti)

- **Piscine rettangolari:** lunghezza x larghezza (metri) x profondità media x 1000
- **Piscine circolari:** diametro x diametro x profondità media x 785
- **Piscine ovali:** lunghezza x larghezza (metri) x profondità media x 893
- **Pareti inclinate:** moltiplicare i litri totali per 0,85 = capacità in litri.

CAUTION Evitare di usare acido secco (bisolfato di sodio) per regolare il pH in aree geografiche aride con evaporazione eccessiva e diluizione minima dell'acqua della piscina con acqua fresca. Un accumulo di residui può danneggiare SC-75.

TABELLA 1. Quantità approssimativa di libbre (lbs) / chilogrammi (kg) di sale necessari per ottenere 3.400 ppm nella piscina

CHART FOR ADDITION OF SALT TO 3400														
Pool Litres	0 ppm	250 ppm	500 ppm	750 ppm	1000 ppm	1250 ppm	1500 ppm	1750 ppm	2000 ppm	2250 ppm	2500 ppm	2800 ppm	3000 ppm	
37,800	lbs	284.00	263.12	242.24	221.35	200.47	179.59	158.71	137.82	116.94	96.06	75.18	50.12	33.1
	kg	128.82	119.35	109.88	100.41	90.93	81.46	71.99	62.52	53.04	43.57	34.10	22.73	15.16
45,400	lbs	340.80	315.74	290.68	265.62	240.56	215.51	190.45	165.39	140.33	115.27	90.21	60.14	40.09
	kg	154.59	143.22	131.85	120.49	109.12	97.75	86.39	75.02	63.65	52.29	40.92	27.28	18.19
53,000	lbs	397.60	368.36	339.13	309.89	280.66	251.42	222.19	192.95	163.72	134.48	105.25	70.16	46.78
	kg	180.35	167.09	153.83	140.57	127.31	114.05	100.78	87.52	74.26	61.00	47.74	31.83	21.22
60,600	lbs	454.40	420.99	387.58	354.16	320.75	287.34	253.93	220.52	187.11	153.69	120.28	80.19	53.46
	kg	206.12	190.96	175.80	160.65	145.49	130.34	115.18	100.03	84.87	69.72	54.56	36.37	24.25
68,100	lbs	511.20	473.61	436.02	398.44	360.85	323.26	285.67	248.08	210.49	172.91	135.32	90.21	60.14
	kg	231.88	214.83	197.78	180.73	163.68	146.63	129.58	112.53	95.48	78.43	61.38	40.92	27.28
75,700	lbs	568.00	526.24	484.47	442.71	400.94	359.18	317.41	275.65	233.88	192.12	150.35	100.24	66.82
	kg	257.64	238.70	219.76	200.81	181.87	162.92	143.98	125.03	106.09	87.14	68.20	45.47	30.31
83,300	lbs	568.00	526.24	484.47	442.71	400.94	359.18	317.41	275.65	233.88	192.12	150.35	100.24	66.82
	kg	257.64	238.70	219.76	200.81	181.87	162.92	143.98	125.03	106.09	87.14	68.20	45.47	30.31
90,900	lbs	681.60	631.48	581.36	531.25	481.13	431.01	380.89	330.78	280.66	230.54	180.42	120.28	80.19
	kg	309.17	286.44	263.71	240.97	218.24	195.51	172.77	150.04	127.31	104.57	81.84	54.56	36.37
106,000	lbs	795.20	736.73	678.26	619.79	561.32	502.85	444.38	385.91	327.44	268.96	210.49	140.33	93.55
	kg	360.70	334.18	307.66	281.14	254.61	228.09	201.57	175.05	148.52	122.00	95.48	63.65	42.44
113,600	lbs	852.00	789.35	726.71	664.06	601.41	538.76	476.12	413.47	350.82	288.18	225.53	150.35	100.24
	kg	386.47	358.05	329.63	301.22	272.80	244.38	215.97	187.55	159.13	130.72	102.30	68.20	45.47

TABELLA 2. Quantità approssimativa di stabilizzatore (acido cianurico) per ottenere 40 ppm nella piscina

Current Cyanuric Acid Level - ppm	10,000 g (38,000 L)	12,000 g (45,425 L)	14,000 g (53,000 L)	16,000 g (60,600 L)	18,000 g (68,137 L)	20,000 g (76,000 L)	22,000 g (83,300 L)	24,000 g (90,850 L)	26,000 g (98,421 L)	28,000 g (106,000 L)	30,000 g (134,000 L)
0	3.25 (1.47 kg)	3.90 (1.77 kg)	4.55 (2.6 kg)	5.20 (2.36 kg)	5.85 (2.65 kg)	6.50 (2.94 kg)	7.15 (3.24 kg)	7.80 (3.53 kg)	8.45 (3.83 kg)	9.10 (4.12 kg)	9.75 (4.42 kg)
10	2.43 (1.10 kg)	2.92 (1.32 kg)	3.40 (1.54 kg)	3.89 (1.76 kg)	4.37 (1.98 kg)	4.86 (2.20 kg)	5.35 (2.42 kg)	5.83 (2.64 kg)	6.32 (2.86 kg)	6.80 (3.08 kg)	7.29 (3.30 kg)
20	1.62 (0.73 kg)	1.94 (0.88 kg)	2.27 (1.03 kg)	2.59 (1.17 kg)	2.92 (1.32 kg)	3.24 (1.47 kg)	3.56 (1.61 kg)	3.89 (1.76 kg)	4.21 (1.91 kg)	4.54 (2.05 kg)	4.86 (2.20 kg)

NOTA: la lettura dell'acido cianurico deve essere mantenuta fra 30 e 50 ppm.

Sezione 3

Utilizzo del produttore di cloro a sale SC-75™

Questa sezione descrive la procedura di avviamento e le istruzioni d'uso del produttore di cloro a sale SC-75.

Prima di avviare e utilizzare SC-75, la piscina a cui è destinato deve essere stata completata e riempita d'acqua da almeno un (1) mese (per le piscine con intonaco) e il livello di sale dell'acqua della piscina deve essere stabile e mantenuto fra 3.300 e 3.600 ppm.

Periodo di avviamento iniziale

Per i primi trenta (30) giorni di funzionamento della cella, il ciclo di autopulizia è preimpostato a due (2) ore. Dopo trenta (30) giorni, l'impostazione di SC-75 passerà automaticamente a tre (3) ore. Questa funzionalità pulirà le pale di SC-75 più spesso durante l'installazione iniziale, per poi passare a un ciclo di autopulizia più standard al fine di garantire una vita utile più lunga alle pale stesse.

Funzionamento

Non è richiesto l'uso di un controller esterno per la pompa della piscina

SC-75 è progettato per fornire una quantità di cloro sufficiente a disinfettare quotidianamente l'acqua della piscina. Se la pompa della piscina funziona in modo continuativo e SC-75 è in funzione 24 ore su 24 ore al 100%, viene generato più cloro di quanto non ne serva per la maggior parte delle piscine (2 - 4 ppm, in base alle raccomandazioni di APSP). SC-75 ha un proprio controller interno che attiva e disattiva la cella elettrolitica a seconda della percentuale a cui è impostata la produzione di disinfettante.

CAUTION SC-75 è concepito esclusivamente per produrre cloro. SC-75 non monitora né controlla i livelli di cloro nell'acqua della piscina o della vasca termale. Il proprietario della piscina ha la responsabilità di monitorare e mantenere i livelli di cloro libero entro l'intervallo 2,0 - 4,0 parti per milione (ppm), in base alle raccomandazioni di APSP. Il proprietario della piscina ha inoltre la responsabilità di verificare regolarmente il livello di cloro libero durante il funzionamento della pompa della piscina e regolare la produzione di disinfettante di SC-75 di conseguenza.

CAUTION Prima di cercare di utilizzare SC-75, fare riferimento alle sezioni "Raccomandazioni e precauzioni generali", al termine di questa sezione, e "Preparazione dell'acqua della piscina", nella sezione precedente. Inoltre, evitare di impostare la produzione di disinfettante al di sopra del 20% prima di avere la certezza che il sale nella piscina si sia sciolto. Il funzionamento senza sale porterà allo spegnimento dell'unità e all'illuminazione della spia IMMETTERE SALE nel display del sale. Finché non verrà immesso sale nella piscina, non verrà prodotto cloro.

In caso di utilizzo di un controller della pompa della piscina

L'Association of Pool and Spa Professionals (APSP) consiglia che tutta l'acqua di una piscina domestica passi attraverso l'impianto di filtrazione almeno una volta ogni 24 ore (l'operazione è definita rotazione dell'acqua della piscina). Tuttavia, vi sono molti fattori che influenzano i tempi di scorrimento effettivi attraverso la pompa e l'impianto di filtrazione. Dimensioni della piscina, fonte dell'acqua, luce solare diretta, piscina coperta o scoperta, schermata o non schermata, impianto di filtrazione, clima caldo o freddo, numero di utenti presenti, precipitazioni, residui organici, alghe, ecc. sono tutti fattori che contribuiscono a tempi di scorrimento più o meno lunghi. A cause di queste differenze, è estremamente difficile impostare un tempo di scorrimento iniziale standard (punto di partenza) per la pompa della piscina e l'impianto di clorazione.

Inizialmente, si può tentare di impostare il controller della pompa della piscina a dodici (12) ore. Ci vorrà qualche giorno per ottenere il tempo di funzionamento della pompa della piscina corretto. Quando SC-75 è collegato al controller della pompa della piscina, i risultati variano enormemente da un'installazione all'altra, quindi la questione va discussa con il proprio tecnico di fiducia. Gli aspetti centrali sono:

- far funzionare la pompa almeno per il tempo minimo necessario per una buona filtrazione e una produzione adeguata di cloro da parte di SC-75, in base alle raccomandazioni del proprio tecnico di fiducia.
- Sebbene i controller per pompe della piscina possano ridurre il consumo energetico, la pompa della piscina deve essere in funzione affinché il produttore di cloro a sale SC-75 possa produrre cloro e deve restare in funzione abbastanza a lungo da mantenere livelli di cloro adeguati (ad es., 2,0 - 4,0 ppm di cloro libero disponibile).

Nota: eccezione - per il funzionamento in climi freddi: l'unità si spegne con temperature dell'acqua inferiori a 12 °C e non produce cloro. Questa funzionalità allunga la vita utile della cella.

Procedura di avviamento (superclorazione)

La superclorazione è consigliata prima dell'avviamento della piscina. È opportuno cominciare fin da subito con acqua pulita e adeguatamente clorata. SC-75 genererà un livello sufficiente di cloro per la disinfezione in alcune ore. Tuttavia, se l'acqua della piscina ha una forte esigenza di cloro fin dall'avviamento, SC-75 non sarà in grado di produrne a sufficienza per raggiungere il punto di equilibrio della clorazione. Pertanto, è meglio applicare la superclorazione mediante una fonte esterna al momento dell'avviamento della piscina. Dopodiché, è opportuno attendere finché il livello del cloro non sia tornato fra 2,0 e 4,0 ppm prima di attivare SC-75.

Impostazioni e regolazioni della produzione di disinfettante

- Attivare l'interruttore o il controller della pompa della piscina. Il display del sale farà lampeggiare entrambi i LED (dal basso verso l'alto) per due (2) minuti, a indicare che la verifica del livello del sale non è ancora stata effettuata. Dopo due (2) minuti, il sale verrà controllato e uno (1) dei LED del livello del sale verrà visualizzato. Se la salinità è inferiore a 2600 ppm, il display del sale illuminerà l'indicatore rosso SALE INSUFFICIENTE, e la spia CELL si spegnerà, a indicare che non c'è una quantità di sale sufficiente nella piscina per la produzione di cloro.
- Impostare la produzione di disinfettante su "MED" premendo il pulsante Più o Meno.
- Dopo 24 ore, utilizzare un metodo di test affidabile per testare la presenza di cloro libero nell'acqua della piscina. L'intervallo ideale da mantenere è 2,0 - 4,0 ppm. Se il livello di cloro libero nell'acqua della piscina è troppo basso, aumentare la produzione di cloro premendo il pulsante Più. Se il livello di cloro libero nell'acqua della piscina è troppo alto, diminuire la produzione di cloro premendo il pulsante Meno.
- A causa delle diverse esigenze di cloro libero dell'acqua delle piscine, possono essere necessari alcuni giorni per determinare il numero di ore quotidiane di funzionamento della piscina e la percentuale di "produzione di disinfettante" da impostare. È opportuno proseguire nella regolazione secondo necessità, lasciando passare 24 ore fra una regolazione e l'altra, finché i livelli di cloro libero nell'acqua della piscina non si stabilizzino a 2,0 - 4,0 ppm, secondo le raccomandazioni di APSP.

Funzionamento invernale

Il produttore di cloro a sale SC-75 si spegne e non produce cloro in acqua a temperatura inferiore ai 12 °C. Questa funzionalità allunga la vita utile di SC-75. Si veda "Preparazione per l'inverno".

Raccomandazioni generali

- Leggere la presente guida all'installazione e all'uso e conservarla in un luogo sicuro.
- Aumentare il livello di produzione del disinfettante secondo necessità dopo piogge intense (piscine scoperte) e tornare al livello normale successivamente.
- Aumentare il livello di produzione del disinfettante quando la temperatura di aria e acqua aumenta.
- Aumentare il livello di produzione del disinfettante quando aumenta il numero di utenti della piscina.
- Usare l'acido cianurico SOLO se necessario per stabilizzare il cloro nell'acqua di una piscina scoperta.
NOTA: EVITARE DI USARE L'ACIDO CIANURICO NELLE PISCINE COPERTE.
- Una volta al mese, prelevare un campione di acqua della piscina e sottoporlo all'analisi completa di un tecnico.

Precauzioni generali

- Evitare di introdurre fertilizzante nella piscina. I fertilizzanti contengono nitrati, che aumentano la quantità di cloro necessaria.
- Evitare di usare acido secco per regolare il pH in aree geografiche aride con evaporazione eccessiva e diluizione minima dell'acqua della piscina con acqua fresca. Un accumulo di residui può danneggiare SC-75.
- Evitare di introdurre sostanze chimiche per il bilanciamento dell'acqua della piscina (sale compreso) se SC-75 non è spento.
- Evitare di far scendere il livello di acido cianurico sotto 30 ppm nelle piscine scoperte.
NOTA: EVITARE DI USARE L'ACIDO CIANURICO NELLE PISCINE COPERTE.

Sezione 4

Manutenzione da parte dell'utente

Questa sezione descrive le modalità di manutenzione del produttore di cloro a sale SC-75.

Manutenzione quotidiana

Non è necessaria.

Manutenzione settimanale

1. Test di livello del pH: verificare il livello del pH dell'acqua della piscina con un metodo di test affidabile. Se necessario, regolare il pH in base ai consigli del proprio tecnico di fiducia. L'intervallo ideale per il pH suggerito da APSP è fra 7,4 e 7,6, sebbene le direttive della medesima associazione definiscano accettabile l'intervallo fra 7,2 e 7,8.

Nota: evitare di usare acido secco (bisolfato di sodio) per regolare il pH in aree geografiche aride con evaporazione eccessiva e diluizione minima dell'acqua della piscina con acqua fresca. Un accumulo di residui può danneggiare SC-75.

2. Test di alcalinità totale: verificare l'alcalinità totale dell'acqua della piscina con un metodo di test affidabile. Regolare l'alcalinità in base ai consigli del proprio tecnico di fiducia. L'intervallo di alcalinità totale ideale consigliato da APSP è fra 80 e 120 ppm.

3. Test del cloro: verificare il livello di cloro libero nell'acqua della piscina con un metodo di test affidabile. Mantenersi nell'intervallo ideale regolando le impostazioni di produzione del disinfettante del produttore di cloro a sale SC-75. Consultare "Pulsanti di produzione Più e Meno".

- a. Il livello di cloro libero desiderato è 2,0 - 4,0 ppm, secondo le raccomandazioni di APSP.
- b. Una quantità di cloro superiore a 4,0 ppm può causare corrosione eccessiva dei componenti metallici e danni alle attrezzature della piscina.
- c. Si consiglia di effettuare le letture del cloro libero su campioni d'acqua della piscina prelevati in due (2) punti, presso il tubo di ritorno della piscina e a una buona distanza dallo stesso. Confrontare i risultati dei test. Dovrebbe essere rilevato un livello più alto di cloro libero presso il tubo di ritorno della piscina. Tale livello più alto indica che il produttore di cloro a sale SC-75 sta producendo cloro.

Manutenzione mensile

Per garantire il mantenimento del corretto bilanciamento chimico nella piscina, è importante svolgere i seguenti test consigliati sul sale e sull'acqua della piscina ogni mese, avvalendosi di un metodo di test affidabile.

1. Test sul livello del sale: verificare le spie del display del sale sull'unità e osservare che la luce verde "BUONO" sia accesa e non lampeggi.

- a. Se la spia LED rossa INSUFFICIENTE è accesa. Immettere sale nell'acqua della piscina.
- b. Se il livello del sale non aumenta nel giro di 24 ore, consultare "Ricerca guasti".

2. Campione dell'acqua della piscina: sottoporre un campione dell'acqua della piscina al proprio rivenditore di piscine perché sia testato.

3. Acido cianurico: prelevare un campione di acqua della piscina e verificarne il livello di acido cianurico avvalendosi di un metodo di test affidabile. Quando si usa il produttore di cloro a sale SC-75, il livello di acido cianurico ideale consigliato è fra 30 e 50 ppm.

4. Durezza da calcio: verificare la durezza da calcio dell'acqua della piscina avvalendosi di un metodo di test affidabile. Se necessario, regolare il pH in base ai consigli del proprio tecnico di fiducia. L'intervallo ideale per il calcio raccomandato da APSP è fra 200 e 400 ppm per le piscine.

5. Test dei metalli: si consiglia di prelevare campioni di acqua della piscina a intervalli regolari e verificare se in essa siano presenti metalli come rame, ferro e manganese. Questi metalli possono danneggiare il produttore di cloro a sale SC-75 e altre attrezzature della piscina e non dovrebbero essere presenti nella sua acqua. Qualora lo siano, contattare il proprio tecnico di fiducia.

6. TDS (solidi disciolti totali): verificare il livello di TDS nell'acqua con un kit per test o richiedendo un test a un tecnico di fiducia. Se necessario, regolare il livello in base ai consigli del proprio tecnico di fiducia. Per le piscine con acqua salata è consigliato lo standard APSP, con un minimo di 3.000 e un massimo di 5.700 - 6.000 ppm (sale compreso).

Contatore delle ore d'uso del produttore di cloro a sale SC-75™

SC-75 è dotato di un contatore integrato delle ore d'uso della cella, che riporta le ore di funzionamento di SC-75.

Per accedere alla modalità di stato del sistema:

1. Tenere premuto il pulsante Più per tre (3) secondi finché le luci scorrono attraverso l'unità.
2. Uno (1) dei tre (3) indicatori LED di produzione di disinfettante (Basso, Medio, Alto) si accenderà, indicando le ore d'uso. I LED di produzione sono come segue:
 - 2.000 ore (LED Basso acceso)
 - 4.000 ore (LED Medio acceso)
 - 6.000 ore (LED Alto acceso)

Pulizia delle pale della cella di SC-75

Nota: prima del lavaggio acido, rimuovere l'accumulo di calcio nella cella. Utilizzare un tubo da giardino all'altezza del getto e spruzzare direttamente su entrambe le estremità della cella. La maggior parte dell'accumulo di calcio ha una consistenza fangosa e sarà espulsa dalla cella. Una volta rimossa la maggior parte del calcio, continuare con il lavaggio acido, che a questo punto sarà più efficace, vista la minor quantità di calcio presente.

1. Pulizia automatica: SC-75 dispone di una funzionalità di pulizia automatica delle pale della cella (inversione della cella) che consente di rimuovere i depositi di calcare dalle sue pale. **Nota:** la pulizia automatica non interrompe la produzione di cloro. Il calcare è un deposito bianco e crostoso che si forma nell'acqua eccessivamente dura o nell'acqua delle piscine non bilanciata. Se le pale di SC-75 mostrano una presenza eccessiva di calcare, è necessario effettuare una pulizia con lavaggio acido. Procedere alla fase 2 della "Pulizia con lavaggio acido".

2. Pulizia con lavaggio acido: se le pale di SC-75 mostrano una tendenza a coprirsi di calcare, si consiglia di effettuare ogni due (2) mesi la rimozione di SC-75 e la verifica della formazione di calcare e/o presenza di detriti sulle sue pale. Le aree caratterizzate da grande durezza possono richiedere una pulizia più frequente. Alcuni filtri consentono ai detriti di passare attraverso SC-75, con la possibilità che si fermino fra le pale. La formazione di calcare in piccola quantità è normale. Se guardando SC-75 si osserva un'eccessiva formazione di calcare fra le pale o la presenza di detriti, esso va pulito come segue:

Usare il getto ad alta pressione di un tubo da giardino. Se non si riesce a pulire ragionevolmente bene le pale con questo metodo sarà necessario il lavaggio acido.

PER EFFETTUARE IL LAVAGGIO ACIDO DELLE PALE DI SC-75™:

1. Scollegare l'alimentazione dalla centralina. Scollegare il cavo di comunicazione della cella del produttore di cloro a sale SC-75 dalla centralina.
2. Mescolare una (1) parte di acido e una (1) di acqua del rubinetto in un secchio di plastica.
3. Immergere le pale in questa soluzione, evitando che il pannello di controllo o i cavi vi siano esposti.
4. Aspettare che la soluzione acida produca delle bolle e pulisca le pale.

La quantità di acido immessa in SC-75 deve essere quella necessaria a coprire le pale. Tentare di non versare l'acido sulla parte esterna di SC-75. Se l'acido finisce sulla parte esterna di SC-75, sciacquarlo via con dell'acqua. Comincerà a formarsi della schiuma, il risultato dello scioglimento del calcare (carbonato di calcio) presente sulle pale. Se la schiuma non si forma, le pale non necessitano di pulizia (INTERROMPERE LE OPERAZIONI DI PULIZIA e passare alla fase successiva). Altrimenti, lasciare le pale immerse nella soluzione finché la schiuma smette di formarsi. In ogni caso, non lasciare l'acido in SC-75 per più di trenta (30) minuti. Un lavaggio acido eccessivo danneggerà le pale.

5. Rimuovere SC-75 dal secchio e posizionarlo in un secchio da 20 litri vuoto. Sciacquare SC-75 con cura all'esterno e all'interno con acqua del rubinetto e controllarlo. Se sono ancora visibili depositi, ripetere il processo di lavaggio acido.
6. Sciacquare di nuovo SC-75 con acqua del rubinetto pulita e controllarlo. Una volta pulito, rimettere in posizione SC-75 e riprendere il normale utilizzo.
7. Se la procedura di lavaggio acido è necessaria, si consiglia di far analizzare un campione di acqua della piscina da un tecnico, per verificare l'eventuale eccessiva durezza da calcio (l'intervallo ideale è fra 200 e 400 ppm) e/o bilanciamento improprio dell'acqua.
8. Controllare l'interno di SC-75 ogni due (2) mesi (o con frequenza maggiore nelle aree con acqua dura). Se non si osservano depositi di calcare o detriti all'interno di SC-75 dopo quattro (4) mesi, non è necessario continuare a effettuare controlli ogni due (2) mesi. Tuttavia, a causa di possibili cambiamenti della chimica dell'acqua e dell'efficacia di filtrazione, si consigliano la rimozione e il controllo della cella almeno due volte all'anno.
9. Ricollegare il connettore del cavo di comunicazione di SC-75 e l'alimentazione AC alla centralina.

Preparazione per l'inverno

In acqua fredda è sufficiente una produzione di cloro molto ridotta per mantenere i livelli di cloro libero fra 2,0 e 4,0 ppm. Il produttore di cloro a sale SC-75 non produce cloro a temperatura inferiore ai 12 °C. Questo limite inferiore di temperatura allunga la vita utile della cella. Se non si adottano misure preventive, il congelamento dell'acqua può causare gravi danni alla cella. Si possono prevenire i danni da congelamento alla cella facendo funzionare la pompa della piscina in modo continuativo o preparando la piscina per l'inverno rimuovendo l'acqua dalla pompa, dal filtro e da tutti i tubi di ingresso e ritorno. Rimuovere la cella, pulirla e metterla da parte.

Installazione

Questa sezione spiega come installare il produttore di cloro a sale SC-75 nell'impianto idraulico della piscina. Prima dell'installazione, esaminare il contenuto del kit di SC-75 e gli attrezzi necessari.

Nota: per le istruzioni di installazione della centralina, consultare la "Guida all'installazione della centralina SC-75"

Nota: il sale non è fornito. Per dettagli relativi al tipo di sale da utilizzare, consultare "Che tipo di sale utilizzare".

Attrezzi necessari

- Metro a nastro
- Cacciavite a croce e a taglio
- Pinze e seghetto per metallo
- Appretto detergente multiuso PVC/CPVC/ABS approvato NSF®
- Cemento multiuso PVC/CPVC/ABS approvato NSF®



WARNING Quando si utilizzano prodotti elettrici è necessario attenersi sempre a precauzioni di sicurezza, fra cui le seguenti:



ATTENZIONE: PERICOLO DI SCOSSA ELETTRICA, CON CONSEGUENTI POSSIBILI LESIONI GRAVI O MORTE.

Prima di intraprendere le attività di installazione, assicurarsi che l'alimentazione al circuito dell'impianto sia scollegata all'altezza dell'interruttore generale. Si consiglia che la centralina di SC-75 sia collegata a un circuito protetto da un interruttore automatico differenziale (GFCI).

- La messa a terra è obbligatoria. L'unità deve essere installata e messa a terra da un tecnico qualificato.
- Installare per consentire l'accesso ai pulsanti della cella e alla centralina.
- Leggere le precauzioni di sicurezza e le istruzioni importanti. Prima di tentare qualsiasi cablaggio elettrico, leggere le istruzioni di sicurezza e attenersi. Il cablaggio deve essere effettuato da un tecnico qualificato.
- Installare l'unità SC-75 ad almeno un metro di distanza dall'uscita del riscaldatore.
- Giunti delle tubazioni: Schedule 80, pressione massima 5 Bar (75 psi) a 21 °C - tubo PVC 50 mm
- Utilizzare l'unità con una portata minima di 6 m³/ora. Per le applicazioni con portate elevate, usare un circuito di derivazione per un rilevamento della portata ideale.
- Prevedere almeno 300 - 450 mm di tubo dritto di fronte all'ingresso della cella.

Installazione del gruppo cella di SC-75

Installare il gruppo cella di SC-75 a non meno di 900 mm di distanza dall'uscita del riscaldatore, se presente.

Nota: per un rilevamento della portata ottimale, prevedere almeno 300 - 450 mm di tubo dritto di fronte all'ingresso della cella.

Nota: giunti delle tubazioni: Schedule 80, pressione massima 5 Bar (75 psi) a 21 °C

Per installare la cella di SC-75:

1. usando colla per PVC, montare i giunti PVC sul tubo dell'impianto idraulico. Consentire alla colla di asciugarsi.
2. Montare la cella in modo da non precludere l'accesso al pannello di controllo. Installare la cella sui giunti.
3. Assicurarsi che gli O-ring siano in sede.
4. Attivare la pompa ed effettuare un'ispezione visiva per individuare eventuali perdite attorno ai giunti.

Collegamento del cavo di alimentazione della cella alla centralina

Una volta ultimata l'installazione della cella, collegare il cavo di alimentazione alla centralina:



WARNING DISATTIVARE l'alimentazione dell'impianto principale alla centralina prima di effettuare la connessione

1. Assicurarsi che l'alimentazione AC sia DISATTIVATA prima di collegare il cavo di alimentazione alla centralina.
2. Allineare le quattro (4) coppie del connettore del cavo di alimentazione della presa di corrente sulla parte bassa della centralina e inserire il connettore. Ruotare il dado tondo della presa di corrente finché non fissa il connettore in posizione.



Dado della presa di corrente del connettore

Al gruppo cella

Utilizzare le seguenti informazioni di ricerca guasti relative al produttore di cloro a sale SC-75.

Nota: spegnere l'alimentazione prima di effettuare attività di manutenzione o riparazione. Rimuovere sempre l'alimentazione AC della centralina quando si connette la cella di SC-75 dalla centralina o la si scollega.

Problema	Probabile causa	Soluzione
Cloro insufficiente o assente	Livello basso dello stabilizzatore (acido cianurico) nell'acqua della piscina (vale solo per piscine scoperte).	Aggiungere acido cianurico esclusivamente in piscine scoperte per mantenere un livello compreso fra 30 e 50 ppm, in base alle raccomandazioni di un tecnico di fiducia. Si veda la tabella dello stabilizzatore.
	Ore di funzionamento di SC-75 insufficienti.	Aumentare il tempo di funzionamento quotidiano di SC-75.
	Percentuale di produzione di disinfettante troppo bassa o pari a 0%.	Aumentare la produzione di disinfettante premendo il pulsante Più.
	Recente aumento della temperatura meteorologica senza aumento di produzione del disinfettante di SC-75.	Aumentare la produzione di disinfettante premendo il pulsante Più.
	Perdita temporanea di cloro a causa di un forte carico organico, pioggia, foglie, fertilizzante o utenza numerosa, una festa di recente svolgimento o l'uso della piscina da parte di animali domestici.	Impostare la modalità Boost e lasciarla in funzione per 24 ore. Ricontrollare. Se il livello rimane troppo basso, effettuare la superclorazione avvalendosi di una fonte esterna. (Sottoporre un campione d'acqua della piscina a un tecnico).
	Livello di sale basso (al di sotto di 2.600 ppm) nell'acqua della piscina; la produzione di cloro si interrompe.	Osservare le spie del display del sale. Osservare i "LED di stato del livello del sale"
	Livello di nitrati e fosfati elevato.	Contattare un tecnico specializzato.
	Presenza di metalli nell'acqua della piscina.	Contattare un tecnico specializzato.
	Acqua nuova o non soggetta a trattamento pesante adeguato all'avviamento in piscina.	Effettuare la superclorazione. Consultare "Procedura di avviamento (superclorazione)"
	Cella intasata o sporca.	Rimuovere la cella e ispezionarla. Pulirla se necessario.
Il LED rosso del SALE è acceso.	L'acqua della piscina necessita di sale. Non viene prodotto cloro.	Immettere sale per raggiungere 3.400 ppm.
Il LED giallo del SALE è acceso e il LED verde della CELLA lampeggia.	Il livello di sale nell'acqua della piscina è basso; può essere necessaria un'ispezione.	Verificare il livello del sale e immetterne, se necessario, fino a raggiungere il livello BUONO. Lasciar passare 24 ore per consentire al sale di mescolarsi con l'acqua. Se la luce CELLA continua a lampeggiare dopo 24 ore, rimuovere e ispezionare la cella e pulirla se necessario.
Il LED verde SALE lampeggia	Eccesso di sale nella piscina. Possibili danni alle attrezzature della piscina e alle superfici circostanti.	Diluire l'acqua della piscina eliminandone un po' e sostituendola con acqua pulita.
Il LED CELLA è rosso.	L'acqua è al di sotto di 12 °C.	La temperatura dell'acqua deve essere al di sopra di 12 °C per produrre cloro.
Il LED CELLA non si accende.	Produzione di cloro impostata allo 00%.	Regolare la PRODUZIONE DI CLORO alla percentuale desiderata.
	Portata d'acqua insufficiente. La cella è ostruita da detriti, la pompa ha perso l'adescamento.	Rimuovere le ostruzioni e/o pulire la cella. Adescare la pompa se necessario.
	Livello di sale inferiore a 2.600 ppm.	Immettere sale.
Il LED CELLA produce una luce verde lampeggiante.	Verificare il livello di sale.	Immettere sale, se necessario, per mantenere un livello minimo di 3.400 ppm.
	La cella presenta un accumulo di calcio e deve essere pulita.	Fare riferimento alla procedura di manutenzione per la pulizia con lavaggio acido. Consultare "Manutenzione da parte dell'utente"
	Verificare la chimica e il bilanciamento dell'acqua. NOTA: il contenuto di metalli deve essere di 0 ppm.	Rimuovere i metalli dall'acqua usando una soluzione chimica.

Garanzia limitata: due anni

Ulteriori informazioni: www.pentairpooleurope.com

Ricerca guasti (segue)

Problema	Probabile causa	Soluzione
Il LED PORTATA è rosso.	La pompa non garantisce una portata sufficiente.	Verificare il corretto funzionamento della pompa, ad es. perdita di adescamento della pompa o cestelli del filtro ostruiti.
	Valvole chiuse.	Verificare e correggere tutti gli allineamenti delle valvole.
	Filtro sporco.	Seguire le procedure di pulizia del filtro.
	Ostruzione della cella del produttore di cloro.	Rimuovere la cella e ispezionarla. Seguire le procedure di pulizia. Consultare "Pulizia della cella elettrolitica"
L'unità SC-75 non è alimentata.	Il fusibile della centralina è aperto.	Sostituire il fusibile AC, posizionato in fondo alla centralina.
	Alimentazione A/C della centralina assente.	Verificare che la funzione cronometrica fornisca 220 VCA alla centralina quando è attiva.
	Collegamenti del trasformatore alla centralina non effettuati correttamente.	Verificare che il trasformatore sia collegato alla sorgente AC facendo riferimento al diagramma di cablaggio all'interno del coperchio della centralina.

Specifiche di sistema - 230 VCA

Protezione del circuito: dispositivo bipolare da 20 A sul pannello elettrico.

Modello SC-75P (ALIMENTAZIONE ELETTRICA)

Input: 50Hz, 220-240 VCA, 220 W, 1 A.

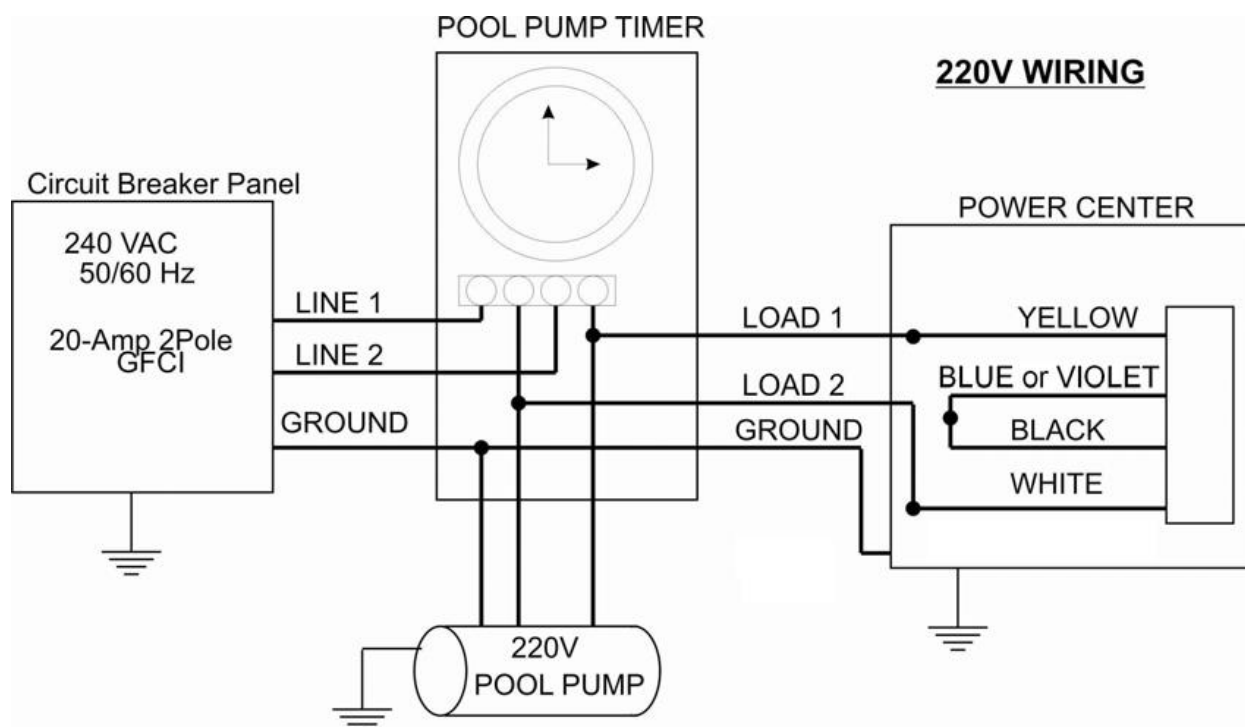
Output: 28 VCA @ 5,2 A massimo.

Portata dell'acqua: 6 m³/ora (25 GPM) - **Portata massima:** 24 m³/ora (105 GPM) - **Pressione massima:** 5 Bar (75 PSI)

Istruzioni di cablaggio AC di SC-75:

- Quando si usa il produttore di cloro a sale SC-75 e una pompa IntelliFlo (o a velocità variabile) con un impianto di automazione Pentair IntelliPool, consultare il manuale di installazione di IntelliPool - sezione "Collegamento del disinfettante - produttore di cloro a sale alternativo".

- Quando si usa il produttore di cloro a sale SC-75 con "Pentair ControPro Filtration Manager" e una pompa a velocità variabile, consultare il manuale di installazione di "Pentair ControlPro Filtration Manager".









SAVE THESE INSTRUCTIONS !



PENTAIR AQUATIC SYSTEMS

INDUSTRIEPARK WOLFSTEE, TOEKOMSTLAAN 30, 2200 HERENTALS - BELGIUM, WWW.PENTAIRPOOLEUROPE.COM

Copyright – Limited License: except as specifically permitted herein, no portion of the content on this document may be reproduced in any form or by any mean without the prior written permission of Pentair International SRL.

Copyright – Eingeschränkte Lizenz: soweit hierin nicht ausdrücklich zugelassen, dürfen die Inhalte dieses Dokuments ohne vorausgehende schriftliche Genehmigung der Pentair International SRL weder ganz noch auszugsweise und in gleich welcher Form und mit welchen Mitteln vervielfältigt werden.

Copyright – Beperkte licentie: behalve zoals hierin specifiek toegestaan, mag geen enkel deel van de inhoud van dit document op om het even welke manier of hoe dan ook gereproduceerd worden zonder de voorafgaande schriftelijke toestemming van Pentair International SRL.

Copyright – Licence limitée: sauf expressément autorisé ci-après, aucune partie du contenu de ce document ne peut être reproduite sous toute forme ou par tout moyen sans la permission écrite préalable de Pentair International SRL.

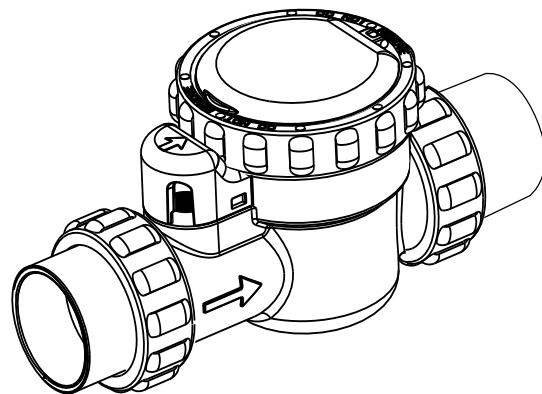
Copyright – Licencia limitada: salvo en lo expresamente permitido en el presente documento, se prohíbe la reproducción total o parcial del mismo por cualquier medio sin la previa autorización por escrito de Pentair International SRL.

Copyright – Licenza limitata: se non indicato specificatamente di seguito, nessuna porzione del contenuto di questo documento può essere riprodotta in qualsiasi forma o con qualsiasi mezzo senza preventiva autorizzazione scritta di Pentair International SRL.



SC-75™ POWER CENTER FOR USE WITH SC-75 CELL ONLY

**INSTALLATION GUIDE / INSTALLATIEHANDLEIDING
BEDIENUNGSANLEITUNG / GUIDE D'INSTALLATION
GUIA DE INSTALACION / GUIDE ALL'INSTALLAZIONE**



English
2

Deutsch
10

Nederlands
18

Français
26

Español
34

Italiano
42

IMPORTANT SAFETY INSTRUCTIONS READ AND FOLLOW ALL INSTRUCTIONS SAVE THESE INSTRUCTIONS

Customer Support

HERENTALS, BELGIUM (8:30 A.M. to 4:30 P.M.) CET

Website : www.pentairpooleurope.com

E-mail : poolemea@pentair.com

Declaration of conformity

We declare, under our sole responsibility, that the product identified in this declaration, and to which this declaration relates, are in conformity with the protection requirements of Council Directive 2006/42/EEG



The manufacturer, Pentair, has the right to modify the products without previous notice for as far as the characteristics are not really changed by this.

© 2015 Pentair, Inc. All rights reserved. This document is subject to change without notice.

Trademarks and disclaimers: All Pentair trademarks and logos are owned by Pentair, Inc. Sta-Rite®, SC-75™, IntelliPool®, ControlPro™, Rainbow®, Eco Select® and Pentair Aquatic Systems™ are trademarks of Pentair Inc. and/or its affiliated companies in the United States and/ or other countries. Unless expressly noted, names and brands of third parties that may be used in this document are not used to indicate an affiliation or endorsement between the owners of these names and brands and Pentair Inc. Those names and brands may be the trademarks or registered trademarks of those third parties.

⚠ DANGER Failure to follow the instructions in this manual may result in serious adverse health effects, or even serious or fatal injury. Failure to follow the instructions in this manual will in all cases invalidate all guarantees and liability on the part of the manufacturer. INSTALLERS, OPERATORS AND OWNERS MUST READ THESE WARNINGS AND ALL INSTRUCTIONS IN THE OWNER'S MANUAL BEFORE USING THIS CLEANER. THESE WARNINGS AND THE OWNER'S MANUAL MUST BE LEFT WITH THE HOME OWNER.

IMPORTANT WARNING AND SAFETY INSTRUCTIONS



Important Notice:

⚠ WARNING

Attention Installer: This guide contains important information about the installation, operation and safe use of this product. This information should be given to the owner and/or operator of this equipment after installation of the salt chlorinator.

Attention User: This manual contains important information that will help you in operating and maintaining this salt chlorinator. Please retain it for future reference. Consult Pentair with any questions regarding this equipment.

Before installing this product, read and follow all warning notices and instructions which are included. Failure to follow safety warnings and instructions can result in severe injury, death, or property damage. Visit www.pentairpooleurope.com for additional free copies of these instructions.

Consumer Information and Safety

This salt chlorinator is designed and manufactured to provide many years of safe and reliable service when installed, operated and maintained according to the information in this manual. Throughout the manual, safety warnings and cautions are identified by the "⚠" symbol. Be sure to read and comply with all of the warnings and cautions.

⚠ WARNING

To reduce the risk of injury, do not permit children to use this product. Service should only be executed by a qualified service professional.

⚠ WARNING

CHLORINE GAS BUILDUP CAN OCCUR WITH IMPROPER WIRING: To reduce the risk of personal injury the SC-75 Salt Chlorinator Power Center must be installed on and wired to the load side of the time clock, electronically controlled switch, or relay load side, so that it will receive power only when the pool pump is on. Otherwise, dangerous chlorine gas buildup can occur. The unit should never be energized when the pool pump is OFF and water is not flowing through the unit.

Never operate the SC-75 without proper flow or water circulation. A build-up of flammable gases will result in hazardous conditions.

⚠ CAUTION

SC-75 Salt Chlorinator is for use with permanently installed pool and may also be used with hot tubs and spas if so marked. Do not use with storable or steel pools. A permanently installed pool is constructed in or on the ground or in a building such that it cannot be readily disassembled for storage. A storable pool is constructed so that it is capable of being readily disassembled for storage and reassembled to its original integrity.

IMPORTANT WARNINGS AND SAFETY INSTRUCTIONS - CONTINUED

⚠ WARNING When mixing acid with water, **ALWAYS ADD ACID TO WATER. NEVER ADD WATER TO ACID.**

⚠ CAUTION Use of chemicals other than those recommended may be hazardous. Even proper use of the recommended chemicals can be hazardous. Follow the Chemical Manufacturer's Instructions.

⚠ CAUTION To reduce the risk of electric shock, install SC-75 Salt Chlorinator a minimum of 1.5m away from the inside wall of the pool. Install the unit a minimum of 1m away from the heater outlet.

⚠ WARNING Salt is an inherently corrosive material. While the levels of salt, required for proper operation of the SC-75™ Salt Chlorinator, are relatively low when compared to sea water and other salt solutions, placing any amount of salt in your pool increases the likelihood of corrosion or other deterioration of pool equipment and any surfaces used in and around your pool. Metal parts (including metal pools) and certain natural and man-made surfaces are particularly susceptible to corrosion and deterioration when used in and around salt water pools. Pentair Aquatic Systems ("Pentair") does not represent or otherwise guarantee that the proper use of the SC-75 Salt Chlorinator will prevent corrosion or other deterioration of pool equipment and any surfaces used in and around your pool. Consult your experienced pool professional, who should be able to advise you on the proper material selection, installation techniques for those materials, and the proper use, care and maintenance of those materials for your specific pool type and location in order to minimize the corrosion and deterioration that is inherent in and around salt water pools.

Limited Warranty Terms & Conditions

Before installing your SC-75, review and understand all warnings, safety and warranty information in this guide. Failure to follow these instructions or improper installation of the cleaner can result in damage to the pool finish or the vinyl liner, Pentair Aquatic Systems disclaims any liability for repairs or replacement to any of these structures or components of the customer's pool.

Limited Warranty : 2 years

Further details : www.pentairpooleurope.com

Disclaimer of Liability - About your Pool and equipment

There are a multitude of factors that contribute to the life of your pool.

Please be aware that over time, deterioration, discoloration and brittleness of any pool finish can be caused separately by, or in combination with, age, an imbalance in pool water chemistry, improper installation and other factors.

The same situation holds true for vinyl-lined in-ground swimming pools, because vinyl liners are also affected by the environment and factors such as pool water chemistry, sunlight and the pool's surroundings. Therefore over time, vinyl can become brittle and weak. In addition, vinyl-lined pools are affected by the workmanship, composition and installation of the liner and the workmanship and quality of construction of the supporting walls and pool base. These are all factors which can contribute to liner failure. The manufacturer disclaims any liability for repairs or replacement to any of these structures or components of the customer's pool.

The pool owner must assume all responsibility for the condition and maintenance of the pool's surface, water and deck.

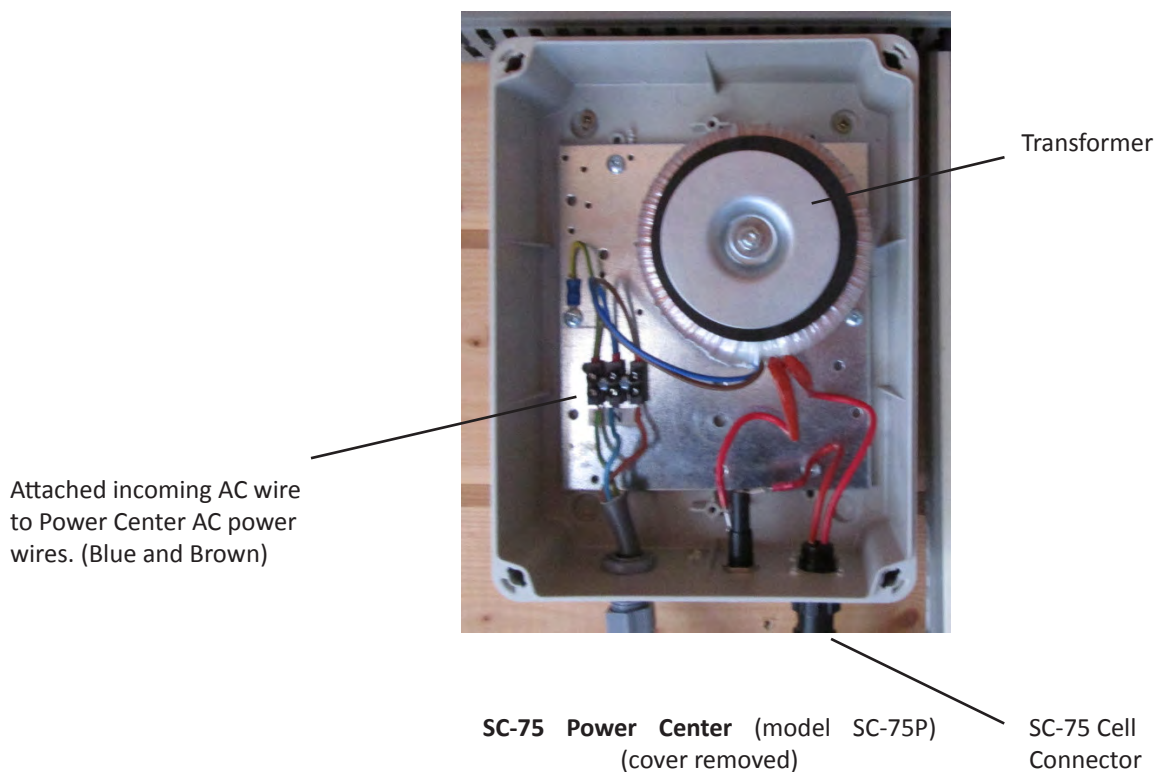
Before the SC-75 Salt Chlorinator is installed, please take a moment to record the serial number. You will be asked for this number when you contact our Technical Support Department.

SERIAL # _____

SC-75™ Power Center OVERVIEW

The SC-75™ salt chlorinator system comprises of a Power Center and electrolytic Cell. The Power Center is connected with the pool circulation pump electrical source so that the electrolytic cell only operates when the pool pump is on. It is recommended that a pool pump timer be used to save on energy and prolong the service life of your pool pump and SC-75. A timer is not included as part of the Power Center kit.

The Power Center enclosure can be mounted vertically on a flat surface such as a wall or post no more than 3 meter (5ft) away from the cell controller. The Power Center houses the transformer, fuse, and connector to the cell. 220 VAC wiring is connected at this box, with 28 VAC output to the cell. An 8 AMP fuse is mounted on the bottom of the enclosure for additional protection. There are no other controls or lights on the outside of the Power Center.



IMPORTANT: The power center line voltage wires must be connected to the PUMP SIDE OF THE MAIN FILTER PUMP RELAY located in the load/power center. This ensures that the SC-75 cell produces chlorine only when the main filter pump is on.

SC-75 System Components

A SC-75 Salt Chlorinator system consists of one of the following:

- SC-75P: Power Center Kit. Provides power to the SC-75 cell.
- Y1146 SC-75 Cell

Operating Instructions

When using a pool pump timer: The Association of Pool and Spa Professionals (APSP) recommends that all water in a residential pool pass through the filtration system at least once every 12 hours (referred to as pool water turnover). However, many factors have an effect on actual pump and filter system run times. Pool size, source of water, direct sun light, indoor/outdoor, screened and unscreened, filtration system, cold or hot weather, swimmer load, rain, organic debris, algae, etc., are all factors which contribute to either more or less pool pump and filter system run times. Because of these differences, it is extremely difficult to set an initial run time (starting point) for the pool pump and chlorinating system. Try initially setting the pool pump timer to 12 hours. It will take a few days to get just the right amount pool pump operating time. When the Chlorinator is wired with a pool pump timer results will vary greatly from one pool installation to the next, so this should be discussed with either the pool builder or your pool professional.

Installation

The following information describes how to install the SC-75 Power Center. Before installing, review the SC-75 kit contents and required tools.

Kit Contents

One Power Center and Installation Guide (this manual)

Required Tools

Phillips and flathead screwdrivers, voltmeter (to determine AC line voltage to power center), electric drill and 1/4" masonry drill bit (to mount power center).

Installing the SC-75 Power Center

⚠ WARNING **IMPORTANT SAFETY PRECAUTIONS. PLEASE READ THE FOLLOWING:** Read all the safety precautions in this manual before attempting any electrical wiring. Be sure to read and follow all safety instructions. Wiring should only be performed by a qualified professional. When using electrical products, basic precautions should always be followed, including the following:

⚠ DANGER **RISK OF ELECTRIC SHOCK, WHICH CAN RESULT IN SERIOUS PERSONAL INJURY OR DEATH.**

Before attempting installation of service, ensure that all power to the circuit supplying power to the system is disconnected/switched off at the circuit breaker.

IMPORTANT: The power supply must be interconnected with pool pump motor power source. This ensures the SC-75 chlorinator and pool pump will switch on and off together.

Grounding (earth bonding) is required. The unit should be installed by a qualified service person.

⚠ CAUTION Install the SC-75 unit a minimum of 60cm (two feet) from the heater outlet.

- Allow ample access to the SC-75 control panel buttons and the SC-75 Power Center.
- Pipe couplings: Schedule 80, maximum pressure 5 Bar (75 psi) at 21° C
- Operate unit with 6m³/h (25 GPM). For high flow applications, use a bypass loop.

⚠ CAUTION Install the Power Center at eye level as close to the SC-75 pump and filtration as possible. The Power Center must be installed more than 2.5meter (8 ft.) from the pool edges.

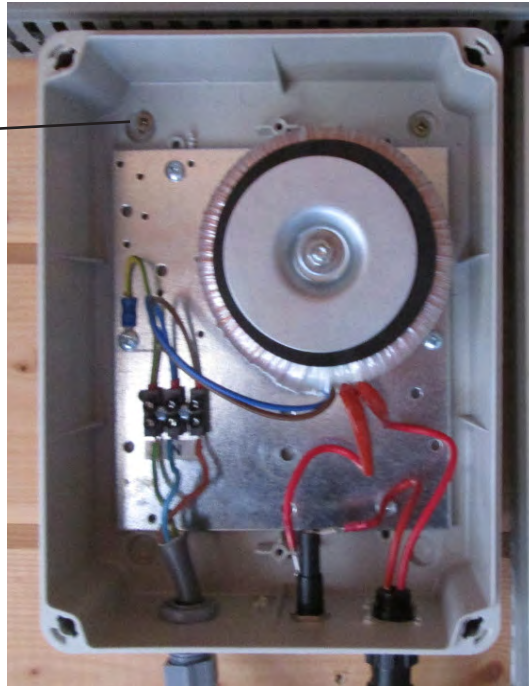
Leave sufficient clearance on all sides of the Power Center. Ensure that 5meter (15 ft.) power cord from the Cell assembly location can reach the Power Center location. The Power Center enclosure can be mounted on the wall up to 5 meter (15 feet) away from the cell.

Note: For installation instructions about connecting the cell to Power Center, see the "SC-75 User's Guide".

Mounting the Power Center Enclosure

1. remove the 4 screws securing the Power Center cover and remove the cover
- 2- Position the Power Center on a flat surface such as a wall or post and drill 4 holes through the plastic enclosure at the specific locations with a small bit drill (must be lower than screw diameter) in order to mark the wall with each of the 4 screw locations.
- 3- Drill 4 holes of 6mm at the marked locations, install anchors if necessary
- 4- Position the Power Center aligning the holes on Wall and in the Power Center
- 5- Install and tighten four mounting screws (the screws must enlarge the holes previously drilled in the power center so that IP rating is maintained).

Wall Mounting area



Connecting the SC-75 Cell Cable to the Power Center

Connect the SC-75 cell power cable to the power center as follows:

1. **IMPORTANT WARNING:** *Be sure that the Power Center AC power line is switched OFF before connecting the power cord connector to the Power Center.*
2. Align the SC-75 cell power cord connector with the socket on the bottom of the Power Center and insert the connector. Rotate the round socket nut until it locks the connector in place.

Connector Socket Nut

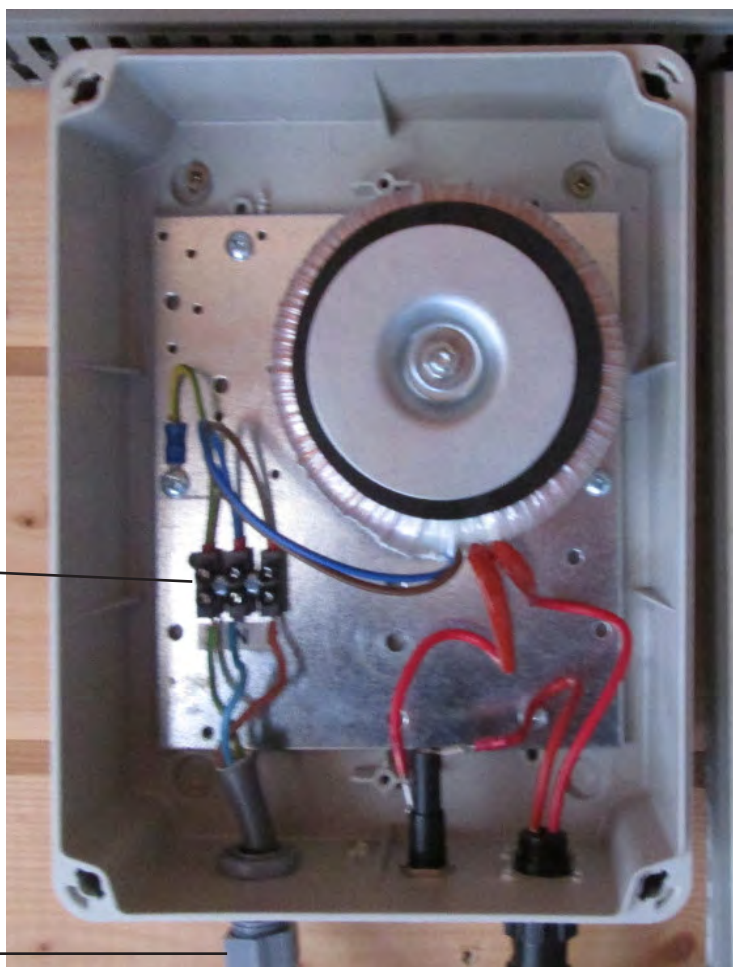


To SC-75 Cell

Connecting AC Power to the Power Center using an Automatic Timer

Connect AC power using an automatic timer to the power center as follows:

1. **IMPORTANT WARNING:** Be sure that the Power Center AC power line is switched OFF before connecting AC power to the Power Center.
2. Use 12-14 AWG three conductor insulated wire for the main AC power connection. Connect the Power Center to pool pump AC power source. The Power Center should be connected to the pump motor switch or automatic timer.
3. Attach incoming GROUND wire to the terminal block inside the Power Center (Green/Yellow wire). Connect Blue wire to Neutral and Brown wire to Phase
5. Reinstall the Power Center cover and secure with the cover screw.
6. The Power Center installation is complete. For SC-75 operating information, refer to the SC-75 User's Guide.



Attach incoming power wires from load center-filter pump relay (12-14 AWG 3wire) to SC-75 Power Center AC power wires

Conduit (PG Nut) for AC power cable source

SC-75 Power Center (cover removed)

Use the following troubleshooting information to resolve possible problems with the SC-75 Salt Chlorinator Power Center.

Note: Switch power off to unit before to attempting service or repair. Always remove AC power to Power Center when plugging or unplugging the SC-75 cell into the Power Center.

Problem	Possible Cause	Corrective Action
SC-75 Cell leds are not on.	Fuse in Power Center is open/broken.	Replace 8AMP fuse, located at bottom of Power Center.
	No AC power to Power Center.	Verify time clock is providing 220VAC to Power Center when active.
	Transformer leads not wired correctly in Power Center.	Verify transformer leads wired to AC source by referring to wiring diagram decal on inside of Power Center cover.

Limited Warranty : 2 years

More info : www.pentairpooleurope.com

System Specifications - 230 VAC

Circuit Protection: Two pole 20AMP devise at the electrical panel.

Model SC-75P (Power Centre)

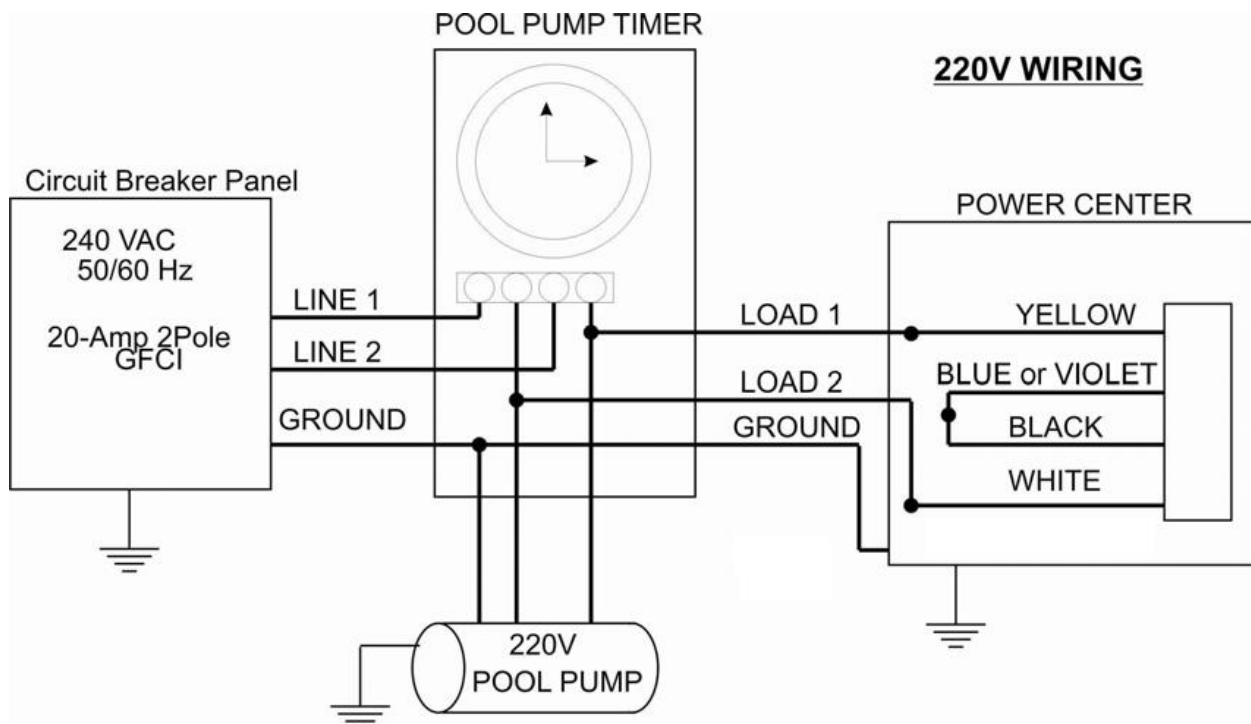
Input: 50Hz, 220-240 VAC, 220W, 1 Amp.

Output: 28 VAC @ 5.2 Amp Max.

Water flow: 6m³/h (25GPM) - **Max flow:** 24m³/h (105GPM) - **Max Pressure:** 5Bar (75PSI)

SC-75 AC Wiring Instructions :

- When using the SC-75 Salt Chlorinator and an IntelliFlo pump (or variable speed pump) with a Pentair IntelliPool Automation System, please read the IntelliPool installation manual - Section 'Desinfectant Connection - Alternative Salt Chlorinator.
- When using the SC-75 Salt Chlorinator with the 'Pentair ControlPro Filtration Manager' and a Variable Speed pump, please read the 'Pentair ControPro Filtration Manager' installation manual.





Kundendienst

HERENTALS, BELGIEN (08:30 Uhr bis 16:30 Uhr) MEZ
 Website: www.pentairpooleurope.com
 E-Mail: poolemea@pentair.com

Konformitätserklärung

Wir erklären unter unserer alleinigen Verantwortung, dass das Produkt, das in dieser Erklärung bezeichnet ist und auf das sich diese Erklärung bezieht, den Schutzanforderungen der Richtlinie 2006/42/EG des Rates entspricht.



Der Hersteller Pentair behält sich das Recht vor, Produkte ohne vorherige Ankündigung soweit zu ändern, als deren Merkmale dadurch nicht maßgeblich verändert werden.

© 2015 Pentair, Inc. Alle Rechte vorbehalten. Änderungen an diesem Dokument sind vorbehalten.

Handelsmarken und Haftungsausschluss: Pentair, Inc. ist Inhaberin aller Pentair-Handelsmarken und Logos. Sta-Rite®, SC-75™, IntelliPool®, ControlPro™, Rainbow®, Eco Select® und Pentair Aquatic Systems™ sind Handelsmarken von Pentair Inc. und/oder den verbundenen Unternehmen in den USA und/oder in anderen Ländern. Soweit nicht anders angegeben, dienen eventuell in diesem Dokument benutzte Namen und Marken anderer Unternehmen nicht zur Angabe einer Zugehörigkeit oder sonstigen Verbindung zwischen den Eigentümern dieser Namen und Marken und Pentair Inc. Bei diesen Namen und Marken kann es sich um Warenzeichen oder eingetragene Warenzeichen dieser anderen Unternehmen handeln.

⚠ DANGER Die Nichtbeachtung der Sicherheitsanweisungen kann zu ernststen Gesundheitsschäden oder sogar zu schweren oder tödlichen Verletzungen führen. Die Nichtbeachtung der Anweisungen in diesem Handbuch führt in jedem Fall zum Erlöschen aller Garantien und jeglicher Haftung seitens des Herstellers. MONTEURE, SCHWIMMBADBETREIBER UND -BESITZER MÜSSEN DIESE WARNHINWEISE UND ALLE ANWEISUNGEN IM HANDBUCH LESEN, BEVOR Sie DIESEN REINIGER BENUTZEN. DIESE WARNHINWEISE UND DAS HANDBUCH MÜSSEN BEIM HAUSBESITZER VERBLEIBEN.

WICHTIGE WARNHINWEISE UND SICHERHEITSAUFWISUNGEN

**Wichtiger Hinweis:**

⚠ WARNING Achtung Installateur: Diese Anleitung enthält wichtige Informationen zur Montage, zum Betrieb und zur sicheren Benutzung dieses Produkts. Diese Unterlagen müssen nach der Installation des Salzelektrolysezelle an den Besitzer und/oder den Betreiber dieser Salzelektrolysezelle weitergegeben werden.

Achtung Benutzer: Dieses Handbuch enthält wichtige Informationen für den Betrieb und die Wartung dieser Salzelektrolysezelle. Bitte bewahren Sie es für zukünftige Einsichtnahme auf. Wenden Sie sich an Pentair, wenn Sie Fragen zu diesem Gerät haben.

Lesen und befolgen Sie alle in diesem Handbuch enthaltenen Warnhinweise und Anweisungen, bevor Sie das Produkt installieren. Bei Nichtbefolgung der Sicherheitswarnhinweise und -anweisungen kann es zu schweren Verletzungen, zum Tod oder zu Sachschäden kommen. Zusätzliche kostenlose Versionen dieser Anweisungen erhalten Sie unter www.pentairpooleurope.com.

Konsumenteninformation und Sicherheit

Diese Salzelektrolysezelle wurde so entworfen und hergestellt, dass sie viele Jahre sicher und zuverlässig in Betrieb ist, wenn sie gemäß den Anweisungen in diesem Handbuch installiert, betrieben und gewartet wird. Im gesamten Handbuch sind Sicherheitswarnungen und -hinweise durch das Symbol "⚠" gekennzeichnet. Alle diese Warnungen und Hinweise müssen beachtet und eingehalten werden.

⚠ WARNING Um die Verletzungsgefahr zu verringern, dürfen Kinder dieses Produkt nicht benutzen. Wartungsarbeiten sind einem qualifizierten Wartungstechniker vorbehalten.

⚠ WARNING **BEI FEHLERHAFTER VERKABELUNG KANN SICH CHLORGAS ENTWICKELN:** Um das Risiko von Personenschäden zu verringern, muss das SC-75-Salzelektrolysezelle-Power Center lastseitig an die Zeitsteuerung, den elektronisch gesteuerten Schalter oder relaisseitig so angeschlossen und verkabelt werden, dass es nur mit Netzstrom versorgt wird, wenn die Poolpumpe eingeschaltet ist. Sonst kann sich gefährliches Chlorgas entwickeln. Das Gerät darf niemals erregt werden, wenn die Poolpumpe AUSGESCHALTET ist oder kein Wasser durch das Gerät strömt.

Den SC-75 niemals mit unzureichendem Durchfluss oder Wasserzirkulation betreiben. Die Entwicklung entzündlicher Gase birgt hohes Gefahrenpotenzial.

⚠ CAUTION Das SC-75 ist für den Einsatz von ganzjährigen Pools vorgesehen und kann auch bei Warmwannen und Schwimmbädern verwendet werden, insofern dies angegeben ist. Benutzen Sie ihn nicht für lagerbare oder Stahl-Pools. Ein fest installierter Pool wird in den Boden eingelassen, auf den Boden aufgestellt oder in ein Gebäude eingebaut, so dass er nicht ohne Weiteres zerlegt werden kann, um gelagert zu werden. Ein lagerbarer Pool ist so konstruiert, dass er zur Lagerung zerlegt und wieder vollständig zusammengebaut werden kann.

WICHTIGE WARNHINWEISE UND SICHERHEITSANWEISUNGEN - FORTSETZUNG

⚠ WARNING Wenn Säure mit Wasser gemischt wird, **IMMER DIE SÄURE ZUM WASSER GEBEN. NIEMALS WASSER ZU EINER SÄURE ZUGEBEN**

⚠ CAUTION Die Verwendung anderer, als der empfohlenen, Chemikalien birgt Gefahren. Selbst die Verwendung der empfohlenen Chemikalien kann Gefahren bergen. Beachten Sie die Anweisungen des Chemikalienherstellers.

⚠ CAUTION Um die Gefahr von elektrischen Schlägen zu verringern, muss die SC-75-Salzelektrolysezelle mindestens 1,5 m von der Innenwand des Pools installiert werden. Das Gerät mindestens 1 m entfernt von der Heizungssteckdose installieren.

⚠ WARNING Salz erzeugt grundsätzlich Korrosion. Weil der Salzgehalt für den fehlerfreien Betrieb der SC-75™ -Salzelektrolysezelle im Vergleich zu Meerwasser oder anderen Salzlösungen relativ gering ist, erhöht jede Salzzugabe zum Wasser Ihres Pools die Wahrscheinlichkeit für Korrosion oder andere Schäden an der Poolausrüstung und an allen Oberflächen in und um Ihren Pool. Metallteile und bestimmte natürliche sowie künstlich hergestellte Oberflächen sind besonders korrosions- und schadensanfällig, wenn Sie in und um einen Salzwasserpool verwendet werden. Die Pentair Aquatic Systems ("Pentair") übernimmt keine Gewährleistung oder anderweitige Garantie, dass der ordnungsgemäße Betrieb einer SC-75-Salzelektrolysezelle Korrosion oder andere Beschädigungen an der Poolausrüstung und allen Oberflächen in und um Ihren Pool verhindert. Konsultieren Sie Ihren erfahrenen Poolfachmann, der Ihnen bei der richtigen Auswahl von Materialien und Montageverfahren für diese Materialien sowie dem richtigen Betrieb, der Pflege und Wartung dieser Materialien für Ihren speziellen Pooltyp und -standort helfen kann, um Korrosion und Schäden zu minimieren, die grundsätzlich in und um einem Salzwasserpool auftreten.

Allgemeine Geschäftsbedingungen der beschränkten Garantie

Bevor Sie Ihren SC-75 installieren, lesen Sie bitte alle Warnhinweise, Sicherheitsanweisungen und Garantieinformationen in diesem Handbuch aufmerksam durch. Wenn diese Anweisungen nicht befolgt werden oder der Poolsauger nicht ordnungsgemäß installiert wird, kann das zu einer Beschädigung der Pool-Oberfläche oder der Vinylverkleidung führen. Pentair Aquatic Systems lehnt jede Haftung für Reparaturen oder Ersatz solcher Strukturen oder Bauteile im Pool des Kunden ab.

Beschränkte Garantie: 2 Jahre

Weiterführende Informationen: www.pentairpooleurope.com

Haftungsausschluss - Informationen zu Ihrem Pool und Ihrem Zubehör

Es gibt viele Faktoren, die einen Einfluss auf die Nutzungsdauer Ihres Pools haben.

Bitte beachten Sie, dass im Laufe der Zeit bei jeder Pool-Oberfläche Verschleißerscheinungen, Verfärbungen und Sprödigkeiten auftreten können, die durch Alter, unausgeglichene Pool-Chemikalien falsche Installation und andere Faktoren bzw. eine Kombination davon bedingt sind.

Dasselbe gilt auch für in den Boden eingelassene Swimming-Pools mit Vinylverkleidung, da die Vinylverkleidungen auch der Umwelt und Faktoren wie Poolwasserchemie, Sonnenlicht und Pool-Umgebung ausgesetzt sind. Daher kann es vorkommen, dass das Vinyl mit der Zeit ein wenig spröde und schwach wird. Darüber hinaus sind Pools mit Vinylverkleidung von der Verarbeitungsgüte, Zusammensetzung und Installation der Verkleidung sowie der Ausführung und Bauqualität der Stützwände und des Poolbodens betroffen. Diese Faktoren können alle zu Fehlern bei der Verkleidung führen. Der Hersteller lehnt jede Haftung für Reparaturen oder Ersatz solcher Strukturen oder Bauteile im Pool des Kunden ab.

Der Schwimmbadeigentümer muss sämtliche Verantwortung für den Zustand und die Wartung der Oberfläche, des Wassers und des Decks des Pools übernehmen.

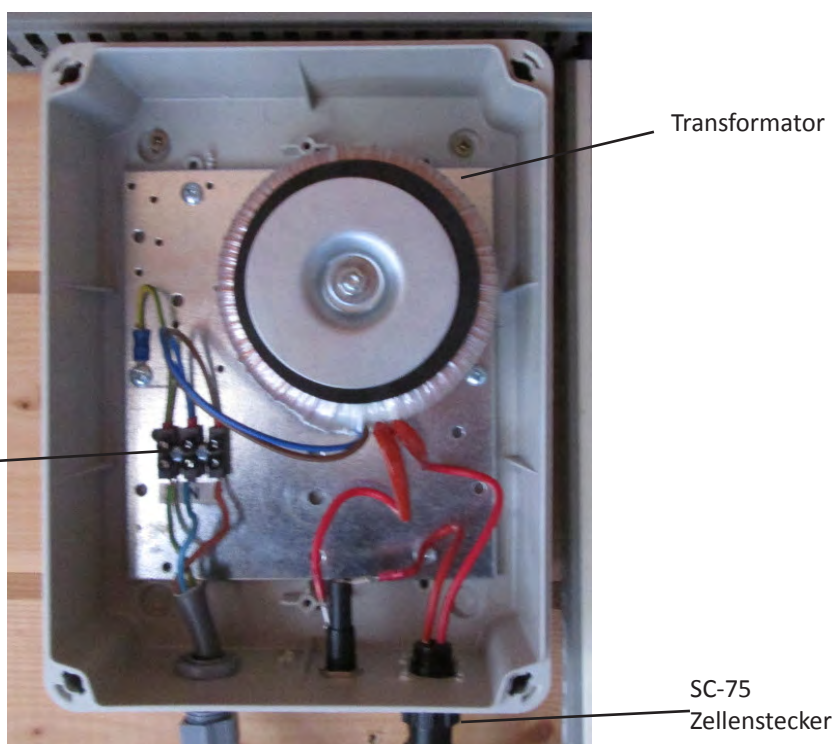
Notieren Sie sich bitte vor der Installation der SC-75-Salzelektrolysezelle die Seriennummer. Wenn Sie Kontakt mit dem Technischen Support aufnehmen, müssen Sie diese Nummer angeben.

SERIENNUMMER _____

SC-75™ Power Center ÜBERSICHT

Das SC-75™-Salzelektrolysezelle-System setzt sich aus dem Power Center und der Elektrolysezelle zusammen. Das Power Center ist mit der Stromquelle der Umwälzpumpe verbunden und das bedeutet, dass die Elektrolysezelle nur bei eingeschalteter Pumpe arbeitet. Aus Gründen der Energieersparnis und um die Nutzungsdauer Ihrer Poolpumpe und des SC-75 zu verlängern, wird empfohlen, dass Sie einen Poolpumpen-Timer verwenden. Der Timer ist nicht im Lieferumfang des Power Center-Kit enthalten.

Das Power Center-Gehäuse kann vertikal auf einer flachen Oberfläche montiert werden, beispielsweise an einer Wand oder an einem Pfosten, jedoch maximal drei (3) Meter von der Zellensteuerung entfernt. Im Power Center sind der Transformator, die Sicherung und der Stecker für die Zelle untergebracht. Die 220-VAC-Verdrahtung wird mit diesem Kasten verbunden, wobei 28 VAC an die Zelle abgegeben werden. Als zusätzliche Schutzvorrichtung ist die Unterseite des Gehäuses mit einer 8-A-Sicherung ausgestattet. Außen am Power Center befinden sich keine anderen Steuerungen oder Lampen.



SC-75 Power Center (Modell SC-75P)
(ohne Abdeckung)

WICHTIG: Die Power Center-Versorgungskabel müssen PUMPENSEITIG AM HAUPTPUMPENRELAIS im Last-/Power Center angeschlossen werden. Auf diese Weise ist sichergestellt, dass der SC-75 nur dann Chlor produziert, wenn die Hauptfilterpumpe eingeschaltet ist.

SC-75 Systemkomponenten

Das SC-75 Salzelektrolysezelle-System besteht aus einem der folgenden:

- SC-75P: Power Center-Kit. Versorgt die SC-75-Zelle mit Strom.
- Y1146 : SC-75 Cell

Betriebsanweisungen

Bei Verwendung eines Poolpumpen-Timers: Die Association of Pool and Spa Professionals (APSP) empfiehlt, dass das gesamte Wasser in einem Privatpool mindestens einmal alle 12 Stunden durch das Filtrationssystem strömen soll (Poolwasserumwälzung). Allerdings haben viele Faktoren Einfluss auf die tatsächlichen Betriebszeiten der Pumpe und des Filtersystems. Faktoren, die zur längeren oder kürzeren Betriebszeiten der Pumpe und des Filtersystems beitragen sind beispielsweise: die Poolgröße, Wasserquelle, direkte Sonneneinstrahlung, Innen/Außen, mit oder ohne Sieb, Filtrationssystem, kalte oder warme Witterung, Anzahl der Schwimmenden, Regen, organische Rückstände, Algen usw. Infolge dieser Unterschiede ist es äußerst schwierig die Erstinbetriebnahmedauer (Startpunkt) für die Poolpumpe und das Chloriniersystem festzulegen. Versuchen Sie anfänglich den Poolpumpen-Timer auf 12 Stunden einzustellen. Es dauert einige Tage bis zur Ermittlung der richtigen Betriebsdauer für die Poolpumpe. Wenn die Elektrolysezelle mit einem Poolpumpen-Timer verbunden ist, variieren die Ergebnisse sehr stark zwischen den einzelnen Poolinstallationen. Wenden Sie sich diesbezüglich daher an den Erbauer des Pools oder an Ihren Poolfachmann.

Installation

Nachstehend folgt die Montagebeschreibung für das SC-75 Power Center. Überprüfen Sie vor der Installation den Inhalt des SC-75-Kits und die benötigten Werkzeuge.

Kit-Inhalt

Ein Power Center- und Betriebshandbuch (dieses Handbuch)

Erforderliche Werkzeuge

Kreuzschlitz- und Flachkopfschraubendreher, Spannungsmesser (Ermittlung der AC-Leitungsspannung zum Power Center), elektrische Bohrmaschine sowie ein 1/4-Zoll-Bohreinsatz (für die Power Center-Montage).

Installation des SC-75 Power Center

⚠ WARNING **WICHTIGE SICHERHEITSHINWEISE LESEN SIE BITTE DIE FOLGENDEN HINWEISE:** Lesen Sie alle Sicherheitshinweise in diesem Handbuch vor dem Beginn von elektrischen Kabelverlegungs-/Verdrahtungsarbeiten. Lesen Sie die folgenden Sicherheitshinweise. Die Verdrahtung ist einem qualifizierten Fachmann zu überlassen. Bei der Installation und der Verwendung von elektrischen Geräten müssen stets grundlegende Sicherheitsvorkehrungen getroffen werden. Dazu gehören unter anderem:

⚠ DANGER **RISIKO EINES ELEKTRISCHEN SCHLAGES MIT TODESFOLGE ODER DER FOLGE SCHWERWIEGENDER VERLETZUNGEN.**



Vergewissern Sie sich vor Beginn von Installationsarbeiten, dass die Netzversorgung des Steuerkreises des Systems am Trennschalter getrennt/abgeschaltet ist.

WICHTIG: Das Netzteil muss mit der Stromquelle des Poolpumpenmotors verbunden werden. Dann ist sichergestellt, dass die SC-75-Elektrolysezelle und die Poolpumpe gemeinsam ein- und ausgeschaltet werden.

Die Erdung (Potenzialausgleich) ist erforderlich. Die Installation des Gerätes ist einem qualifizierten Fachmann zu überlassen.

⚠ CAUTION Installieren Sie die Pumpe mindestens 60 cm bzw. zwei (2) Fuß vom Einlass der Heizvorrichtung entfernt.

- Die Bedienfeldtasten des SC-75 und des SC-75 Power Center müssen leicht zugänglich sein.
- Leitungsanschlussstücke: Größe 80, max. 5 Bar (75 psi) bei 21° C
- Betrieb des Gerätes mit 6 m³/h (25 GPM). Bei Anwendungen mit hohem Durchfluss ist eine Bypass-Schleife vorzusehen.

Montieren Sie das Power Center auf Augenhöhe möglich nahe bei der SC-75-Pumpe und der Pumpenfiltration.

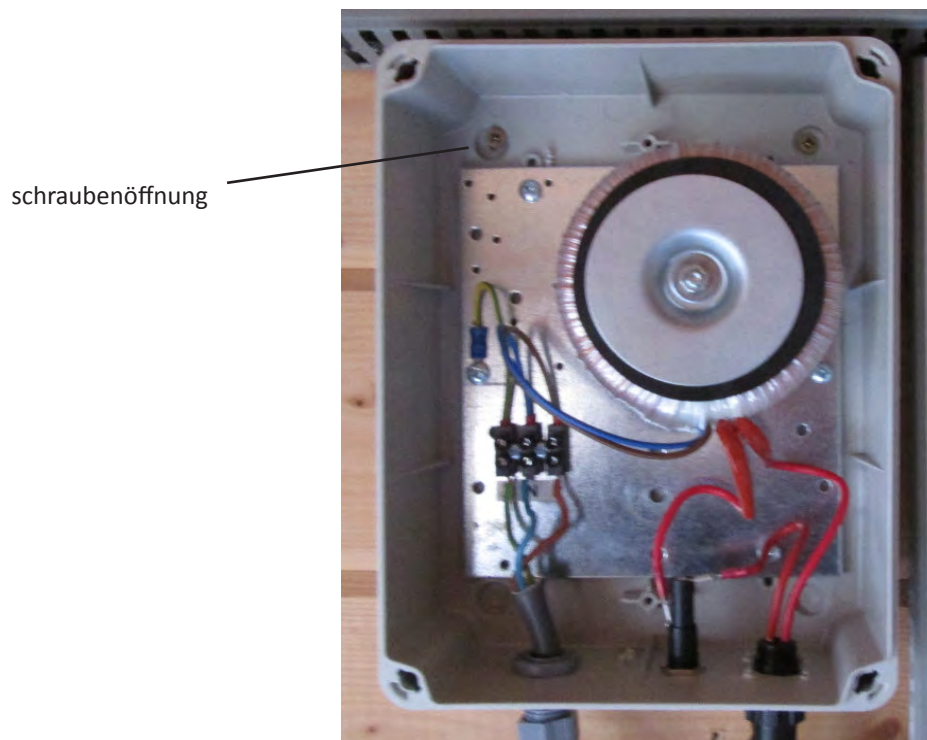
⚠ CAUTION Das Power Center muss mehr als 2,5 Meter (8 Fuß) von den Poolrändern installiert werden.

Auf diese Weise ist an allen Seiten des Power Center ausreichend Platz vorhanden. Das 5 m (15 Fuß) lange Stromkabel muss vom Montageort der Zelle bis zum Montageort des Power Center reichen. Das Gehäuse des Power Center kann maximal 5 Meter (15 Fuß) von der Zelle entfernt an einer Wand montiert werden.

Hinweis: Hinweise zur Verbindung der Zelle mit dem Power Center siehe "SC-75 Bedienungsanleitung".

Montage des Power Center-Gehäuses

- 1- Die vier (4) Befestigungsschrauben an der Power Center-Abdeckung herausschrauben und die Abdeckung abnehmen.
- 2- Das Power Center an einer flachen Fläche aufstellen, beispielsweise einer Wand oder einem Pfosten, und an den gekennzeichneten Punkten mit einem kleinen Bohrer (der kleiner als der Schraubendurchmesser sein muss) vier (4) Löcher bohren, um die Wand mit den vier (4) Schraubenpositionen zu markieren.
- 3- Bohren Sie an den gekennzeichneten Punkten vier (4) 6-mm-Löcher.
- 4- Positionieren Sie das Power Center so, dass es an den Löchern in der Wand und im Power Center ausgerichtet ist.
- 5- Setzen Sie die vier (4) Montageschrauben ein und ziehen Sie sie fest (die Schrauben müssen die zuvor in das Power Center gebohrten Löchern vergrößern, damit die IP65-Schutzklasse aufrechterhalten wird).



Verbinden Sie das Kabel der SC-75-Zelle mit dem Power Center.

Verbinden Sie das Stromkabel der SC-75-Zelle wie folgt mit dem Power Center:

1. **WICHTIGER WARNHINWEIS:** Die AC-Netzleitung des Power Center muss vom Netzstrom getrennt werden, bevor der Stecker des Stromkabels in das Power Center eingesteckt wird.
2. Richten den Stecker am Stromkabel der SC-75-Zelle mit der Steckdose an der Unterseite des Power Center aus und stecken Sie den Stecker ein. Drehen Sie die runde Steckermutter, bis der Stecker einrastet.

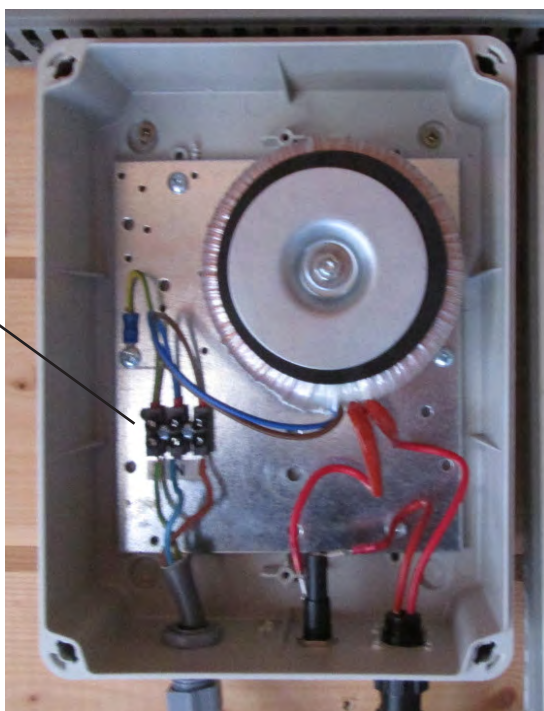


AC-Netzanschluss am Power Center mit einem automatischen Timer

So stellen Sie die Wechselstromverbindung des Power Center mithilfe eines automatischen Timers her:

1. **WICHTIGER WARNHINWEIS:** Die AC-Netzkabel des Power Center muss vom Netzstrom **GETRENNT** werden, bevor der Stecker des Stromkabels in das Power Center eingesteckt wird.
2. Verwenden Sie einen isolierten dreidadrigen 12-14 AWG-Leiter für den Anschluss an das AC-Netz. Verbinden Sie das Power Center mit der Wechselstromquelle (AC) der Poolpumpe. Das Power Center muss mit dem Pumpenmotorschalter oder dem automatischen Timer verbunden werden.
3. Verbinden Sie den eingehenden ERDUNGSDRAHT mit der Erdungsöse im Power Center (gelb-grün).
4. Montieren Sie das Power Center wieder und sichern Sie es mit den Schrauben der Abdeckung.
5. Die Installation des Power Center ist abgeschlossen. Hinweise zum Betrieb des SC-75 entnehmen Sie bitte dem SC-75-Bedienungshandbuch.

Verbinden Sie die eingehende Stromkabel vom lastseitigen SC-75 relais (12-14 AWG, dreidrig) mit den AC-Drähten des Power Center.



Schutzrohröffnung für die AC-Kabelquelle.

SC-75 Power Center (ohne Abdeckung)

Befolgen Sie die folgenden allgemeinen Hinweise zur Fehlerbeseitigung, um mögliche Probleme mit dem Power Center der SC-75-Salzelektrolysezelle zu beheben.

Hinweis: Schalten Sie die Stromversorgung für das Gerät aus, bevor Sie mit Wartungs- oder Reparaturarbeiten beginnen. Trennen Sie die Netzversorgung des Power Center immer, wenn Sie die SC-75-Zelle mit dem Power Center verbinden oder von diesem trennen.

Problem	Mögliche Ursache	Korrekturmaßnahme
Die LEDs der SC-75-Zelle leuchten nicht.	Sicherung im Power Center geöffnet/defekt.	Tauschen Sie die 8-A-Sicherung am Boden des Power Center aus.
	Am Power Center liegt kein Netzstrom an.	Die aktivierte Zeitsteuerung muss das Power Center mit 220 VAC versorgen.
	Die Transformator Kabel sind nicht richtig mit dem Power Center verbunden.	Ziehen Sie dem Schaltplan auf dem Aufkleber Innen auf der Power Center-Abdeckung heran, um die Verbindung der Transformator Kabel mit der AC-Quelle zu überprüfen.

Beschränkte Garantie: 2 Jahre

Weiterführende Informationen: www.pentairpooleurope.com

Systemspezifikationen - 230 V

Stromkreisschutz: zweipolig, 20 Amp, an der elektrischen Schalttafel.

Modell SC-75P (stromversorgung)

Eingang: 50Hz, 220-240 VAC, 220 W, 1 Amp.

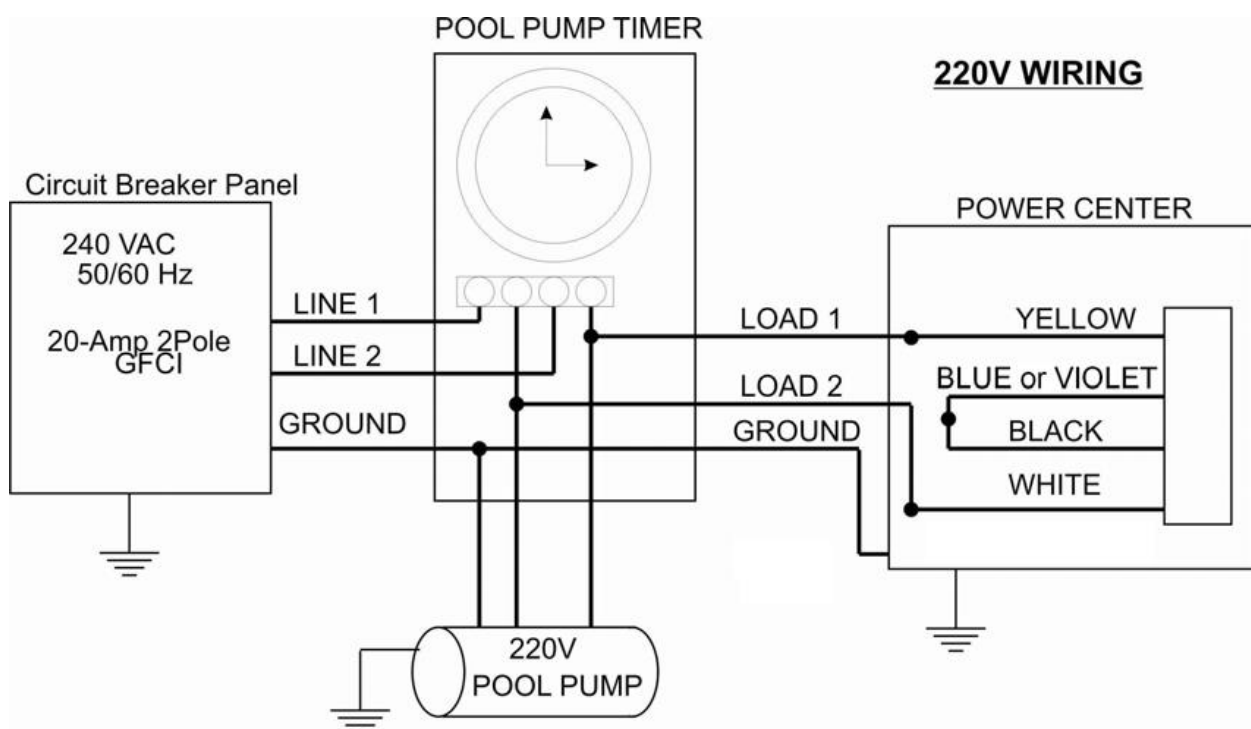
Ausgang: 28 VAC bei 5,2 Amp Max.

Wasserdurchfluss: 6 m³/h (25 GPM) - **Max. Durchfluss:** 24 m³/h (105 GPM) - **Max. Druck:** 5 Bar (75 PSI)

SC-75P AC-Verkabelungsanleitungen:

- Bei der Verwendung der SC-75-Salzelektrolysezelle und einer IntelliFlo-Pumpe (oder drehzahlregelmäßigen Pumpe) mit dem Pentair IntelliPool-Automatisierungssystem lesen Sie bitte das IntelliPool-Installationshandbuch - Kapitel 'Desinfektionsmittelanschluss - Alternative Salzelektrolysezelle.

- Bei der Verwendung der SC-75-Salzelektrolysezelle mit dem 'Pentair ControlPro Filtration Manager' und einer drehzahlregelmäßigen Pumpe lesen Sie bitte das Installationshandbuch 'Pentair ControlPro Filtration Manager'.



Klantendienst

HERENTALS, BELGIE (8.30 u. tot 16.30 u.) CET

Website: www.pentairpooleurope.com

E-mail: poolemea@pentair.com

Conformiteitsverklaring

We verklaren, onder onze enige verantwoordelijkheid, dat het product dat geïdentificeerd is in deze verklaring en waarop deze verklaring betrekking heeft, conform de vereisten inzake bescherming van de Richtlijn 2006/42/EG van de Raad is.



De fabrikant, Pentair, heeft het recht om de producten zonder voorafgaande melding te wijzigen, voor zover hun eigenschappen hierdoor niet wezenlijk veranderd worden.

© 2015 Pentair, Inc. Alle rechten voorbehouden. Dit document kan zonder voorafgaande kennisgeving gewijzigd worden.

Handelsmerken en disclaimers: alle Pentair handelsmerken en logo's zijn eigendom van Pentair, incl. Sta-Rite®, SC-75™, Intelli-Pool®, ControlPro™, Rainbow®, Eco Select® en Pentair Aquatic Systems™ zijn handelsmerken van Pentair Inc. en/of zijn verbonden ondernemingen in de Verenigde Staten en/of andere landen. Tenzij uitdrukkelijk vermeld, worden de namen en merken van derde partijen die in dit document aan bod komen, niet gebruikt om een band tussen de eigenaars van die namen en merken en Pentair Inc. aan te geven. Die namen en merken kunnen handelsmerken of geregistreerde handelsmerken van die derde partijen zijn.

⚠ DANGER Het niet opvolgen van de instructies in deze handleiding kan ernstige ongewenste gezondheidseffecten, of zelfs ernstige of dodelijke letsels tot gevolg hebben. Wanneer de instructies in deze handleiding niet opgevolgd worden, vervallen in ieder geval alle garanties en aansprakelijkheden van de fabrikant. DE INSTALLATEURS, OPERATORS EN EIGENAARS MOETEN DEZE WAARSCHUWINGEN EN ALLE INSTRUCTIES IN DE GEBRUIKERSHANDLEIDING LEZEN VOOR ZIJ DEZE ZWEMBADREINIGER GEBRUIKEN. DE EIGENAAR VAN DE WONING MOET DEZE WAARSCHUWINGEN EN DE GEBRUIKERSHANDLEIDING BIJHOUDEN.

BELANGRIJKE WAARSCHUWINGEN EN VEILIGHEIDSINSTRUCTIES



Belangrijk:

⚠ WARNING Opgelet - installateur: deze gids bevat belangrijke informatie over de installatie, de bediening en het veilige gebruik van dit product. Deze informatie moet na de installatie van de zoutchlorinator aan de eigenaar en/of exploitant van deze uitrusting gegeven worden.

Opgelet - gebruiker: deze handleiding bevat belangrijke informatie om u te helpen deze zoutchlorinator te bedienen en te onderhouden. Bewaar ze zodat u ze later kunt raadplegen. Raadpleeg Pentair als u vragen hebt over deze uitrusting.

Vooraleer dit product te installeren, dient u alle waarschuwingen en instructies in de handleiding te lezen en op te volgen. Wanneer de veiligheids waarschuwingen en -instructies niet gevolgd worden, kan dat resulteren in ernstige verwondingen, de dood of materiële schade. Ga naar www.pentairpooleurope.com voor gratis bijkomende exemplaren van deze instructies.

Consumenteninformatie en veiligheid

Deze zoutchlorinator is ontworpen en gemaakt om jarenlang veilig en betrouwbaar te werken als ze geïnstalleerd, bediend en onderhouden worden zoals in deze handleiding wordt beschreven. In deze handleiding worden de veiligheids waarschuwingen en -voorzorgen aangegeven door het symbool "⚠". Lees al deze waarschuwingen en voorzorgen en neem ze in acht.

⚠ WARNING Om de kansen op letsels te verminderen, mag u kinderen dit product niet laten gebruiken. Deze pomp mag alleen door een gekwalificeerde onderhoudstechnicus geïnstalleerd en onderhouden worden.

⚠ WARNING **BIJ EEN VERKEERDE BEDRADING KAN ZICH CHLOORGAS OPHOPEN:** om het gevaar voor verwondingen te beperken, moet het Powercenter van de SC-75 zoutchlorinator worden geïnstalleerd aan en bedraad naar de belastingszijde van de tijdsgestuurde elektronische schakelaar of de belastingszijde van het relais, zodat het alleen spanning ontvangt wanneer de zwembadpomp ingeschakeld is. Anders kan zich een gevaarlijke ophoping van chloorgas voordoen. De eenheid mag nooit onder spanning gebracht worden wanneer de zwembadpomp uitgeschakeld is en er geen water door de eenheid stroomt. Gebruik de SC-75 niet zonder een behoorlijk waterdebiet of een goede watercirculatie. De vorming van ontvlambare gassen kan gevaarlijke situaties tot gevolg hebben.

⚠ CAUTION De SC-75 zoutchlorinator is bedoeld om te gebruiken met permanent aangebrachte zwembaden en mag ook gebruikt worden voor hot tubs waarop dit vermeld is. Niet gebruiken met opbergbare of stalen zwembaden. Een permanent geïnstalleerd zwembad kan niet gedemonteerd worden om het op te bergen en vormt een vaste constructie in de grond, boven op de grond of in een gebouw. Een opbergbaar zwembad is zo gebouwd dat het snel gedemonteerd en opgeborgen kan worden en nadien ook weer gemonteerd kan worden.

BELANGRIJKE WAARSCHUWINGEN EN VEILIGHEIDSINSTRUCTIES - VERVOLG

⚠ WARNING Voeg bij het mengen van zuur met water **ALTIJD ZUUR TOE AAN WATER. VOEG NOOIT WATER TOE AAN ZUUR**

⚠ CAUTION Het gebruik van andere chemicaliën dan de aanbevolen producten kan gevaarlijk zijn. Zelfs het correcte gebruik van de aanbevolen chemicaliën kan gevaarlijk zijn. Volg de instructies van de chemicaliënfabrikant.

⚠ CAUTION Om het gevaar voor elektrische schokken te beperken, installeer SC-75 zoutchlorinator op minimaal 1,5 m van de binnenwand van het zwembad. Installeer de eenheid op minimaal 1 m van de verwarmingsuitgang.

⚠ WARNING Zout is een inherent corrosief materiaal. Hoewel de hoeveelheid zout, vereist voor de correcte werking van de SC-75™ zoutchlorinator, in verhouding klein is vergeleken met het zoutgehalte van zeewater en andere zoutoplossingen, verhoogt elke toevoeging van zout in uw zwembad het risico van corrosie of andere schade aan de zwembaduitrusting en aan oppervlakken die in en rond uw zwembad worden gebruikt. Metalen onderdelen (inclusief metalen zwembaden) en bepaalde natuurlijke en door de mens gemaakte materialen zijn bijzonder gevoelig voor corrosie en beschadiging wanneer zij in en rond zoutwaterzwembaden worden gebruikt. Pentair Aquatic Systems ("Pentair") waarborgt niet dat het correcte gebruik van de SC-75 zoutchlorinator corrosie of andere beschadigingen van zwembaduitrusting of van oppervlakken in en rond uw zwembad zal voorkomen. Raadpleeg uw ervaren zwembadspecialist. Hij moet u advies kunnen geven over de keuze van de juiste materialen, de installatietechnieken voor deze materialen en hun onderhoud voor uw zwembadtype en installatieplaats. Dit is belangrijk om de corrosie en beschadigingen in en rond zoutwaterzwembaden tot een minimum te beperken.

Voorwaarden beperkte garantie

Lees en begrijp alle waarschuwingen en de veiligheids- en garantie-informatie in deze handleiding voor u uw SC-75 installeert. Niet-naleving van deze instructies of verkeerde installatie van de zwembadreiniger kan beschadiging van de zwembadafwerking of van de vinylbekleding tot gevolg hebben. Pentair Aquatic Systems kan niet aansprakelijk worden gesteld als die structuren of onderdelen van het zwembad van de klant moeten worden hersteld of vervangen.

Beperkte garantie: 2 jaar.

Voor meer informatie: www.pentairpooleurope.com

Aansprakelijkheidsbeperking - Over uw zwembad en uitrusting

De levensduur van uw zwembad wordt door vele factoren bepaald.

Houd er rekening mee dat ouderdom, chemische onbalans van het zwembadwater, verkeerde installatie en andere factoren elk afzonderlijk of samen tot beschadiging, kleurverlies en broosheid van elke zwembadafwerking kunnen leiden.

Hetzelfde geldt voor verzonken zwembaden met vinylafwerking. Vinylbekledingen zijn immers ook gevoelig voor omgevingsfactoren en invloeden zoals de chemische eigenschappen van het zwembadwater, het zonlicht en de directe omgeving van het zwembad. Mettertijd kan het vinyl dus broos en slap worden. Voor met vinyl afgewerkte zwembaden zijn bovendien de materiaalkwaliteit, de samenstelling en de installatie van de bekleding en de constructiekwaliteit van de dragende wanden en de zwembadbodem belangrijke factoren. Al deze factoren kunnen bijdragen tot beschadiging van de afwerking. De fabrikant kan niet aansprakelijk worden gesteld voor herstellingen of vervanging van deze structuren of onderdelen van het zwembad van de klant.

De eigenaar van het zwembad draagt de volledige verantwoordelijkheid voor de staat en het onderhoud van het zwembadoppervlak, het water en de boord.

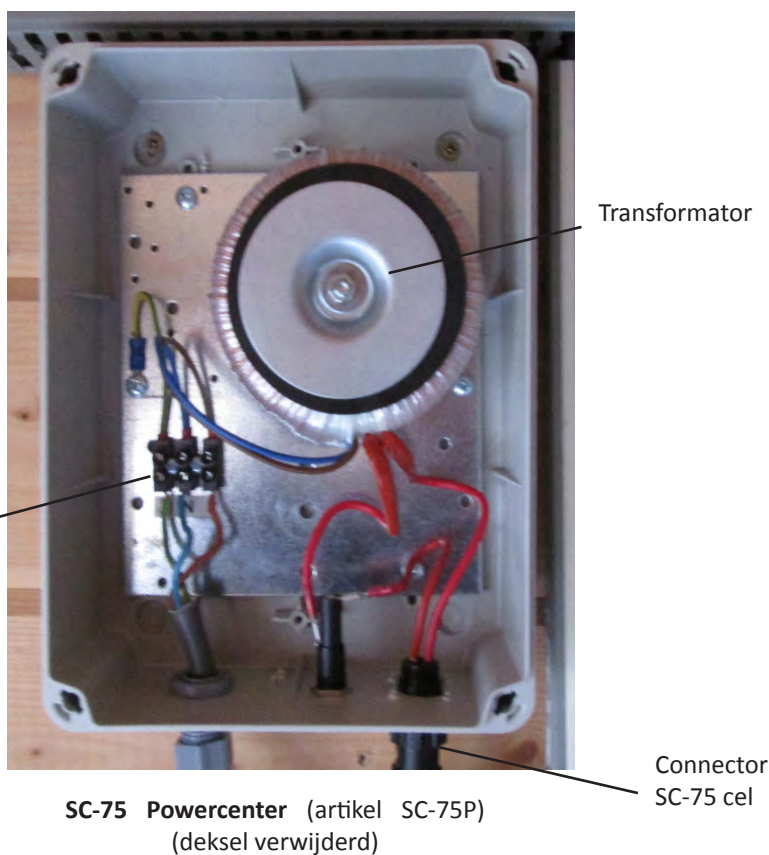
Neem de tijd om het serienummer te noteren voor u de SC-75 zoutchlorinator installeert. Dit nummer zal u gevraagd worden wanneer u contact opneemt met de technische ondersteuning.

SERIENUMMER _____

SC-75™ Powercenter, OVERZICHT

Het SC-75™ zoutchlorinatorsysteem bestaat uit een Powercenter en een elektrolytische cel. Het Powercenter wordt aangesloten op de elektrische voedingsbron van de circulatiepomp van het zwembad, zodat de elektrolytische cel alleen functioneert wanneer de zwembadpomp ingeschakeld is. Het wordt aanbevolen een controller voor de zwembadpomp te gebruiken om energie te besparen en de levensduur van uw zwembadpomp en de SC-75 te verlengen. De Powercenterkit bevat geen controller.

De behuizing van het Powercenter kan verticaal gemonteerd worden op een vlak oppervlak zoals een muur of paal die niet verder dan 3 meter verwijderd is van de celcontroller. Het Powercenter bevat de transformator, de zekering en de connector voor de cel. Deze module is aangesloten op het 220 VAC-net en heeft een 28 VAC-uitgang naar de cel. Op de bodem van de behuizing is een zekering van 8 A gemonteerd voor bijkomende beveiliging. Aan de buitenzijde van het Powercenter zijn er geen andere bedieningselementen of lampjes.



Bevestigde inkomende AC-
draad naar AC-voedings-
draden Powercenter
(Blauw en bruin) -
Aarding = Geel/groen

SC-75 Powercenter (artikel SC-75P)
(deksel verwijderd)

BELANGRIJK: de netspanningsdraden van het Powercenter moeten aangesloten worden aan de POMPZIJDE VAN HET HOOFDFILTERPOMPRELAIS dat zich in het Load-/Powercenter bevindt. Dit zorgt ervoor dat de SC-75 cel alleen chloor produceert wanneer de hoofdfilterpomp ingeschakeld is.

SC-75 systeemonderdelen

Een SC-75 zoutchlorinatorsysteem bestaat uit een van de volgende elementen:

- SC-75P : Powercenterkit. Levert spanning aan de SC-75 cel.
- Y1146 : SC-75 Cell

Gebruiksaanwijzingen

Bij gebruik van een zwembadpompcontroller: de Association of Pool and Spa Professionals (APSP) beveelt aan het water in een privézweembad minimaal één keer per 12 uur door het filtersysteem te laten stromen (dit wordt verversing van het zwembadwater genoemd). Talrijke factoren hebben echter een effect op de werkelijke cyclustijden van het pomp- en filtersysteem. Grootte van het zwembad, waterbron, rechtstreeks zonlicht, binnen/buiten, afgedekt of niet afgedekt, filtersysteem, koud of warm weer, aantal zwembadgebruikers, regen, organisch afval, algen enz.: al deze factoren beïnvloeden de cyclustijden van het pomp- en filtersysteem. Door die verschillen is het buitengewoon moeilijk een initiële cyclustijd (startpunt) voor de zwembadpomp en het chloreersysteem in te stellen. Probeer de controller van de zwembadpomp de eerste keer in te stellen op 12 uur. Het zal enkele dagen duren voor u de juiste cyclustijd van de zwembadpomp hebt gevonden. Wanneer de chlorinator met de controller van een zwembadpomp verbonden is, zullen de resultaten aanzienlijk verschillen naargelang de zwembadinstallatie. Daarom moet dit besproken worden met de zwembadbouwer of uw zwembadspecialist.

Installatie

De volgende informatie beschrijft hoe het SC-75 Powercenter te installeren. Onderzoek voor de installatie de inhoud van de SC-75 kit en het vereiste gereedschap.

Inhoud van de kit

Eén Powercenter en Installatiehandleiding (deze handleiding)

Vereist gereedschap

Kruis- en platkopschroevendraaiers, voltmeter (om de AC-voedingsspanning naar het Powercenter te bepalen), elektrische boormachine en 1/4" metselwerkboorstuk (om Powercenter te monteren).

Het SC-75 Powercenter installeren

⚠ WARNING **BELANGRIJKE VEILIGHEIDSVORZORGEN LEES HET VOLGENDE:** lees alle veiligheidsvoorzorgen in deze handleiding voor u probeert elektrische draden aan te sluiten. Zorg ervoor dat u alle veiligheidsinstructies leest en volgt. De bedrading mag alleen worden uitgevoerd door hiertoe opgeleid personeel. Wanneer u elektrische producten installeert, moet u altijd de elementaire veiligheidsregels volgen, waaronder:

⚠ DANGER **GEVAAR VOOR ELEKTRISCHE SCHOK MET ERNSTIGE VERWONDINGEN OF DE DOOD ALS MOGELIJKE GEVOLGEN**



Controleer voor u aan installatie- of onderhoudswerkzaamheden begint of de stroom naar het voedingscircuit van het systeem onderbroken/uitgeschakeld is met de beveiligingsschakelaar.

BELANGRIJK: de voeding moet verbonden zijn met de stroombron van de zwembadpompmotor. Dit zorgt ervoor dat de SC-75 chlorinator en de zwembadpomp samen worden in- en uitgeschakeld.

Aarding (aardverbinding) is vereist. Het apparaat moet door een hiertoe opgeleide onderhoudstechnicus worden geïnstalleerd.

⚠ CAUTION Installeer de SC-75 op minimaal 60 cm van de verwarmingsuitgang.

- Zorg ervoor dat voldoende ruimte beschikbaar is om de knoppen van het bedieningspaneel en het SC-75 Powercenter te bereiken.
- Pijpkoppelingen: schema 80, maximumdruk 5 bar (75 psi) bij 21 °C
- Gebruik apparaat met 6 m³/u. (25 GPM). Voor toepassingen met hoog debiet: gebruik een bypass.

⚠ CAUTION Installeer het Powercenter op ooghoogte, zo dicht mogelijk bij het SC-75 pomp- en filtersysteem.

Het Powercenter moet op meer dan 2,5 meter van de rand van het zwembad geïnstalleerd worden.

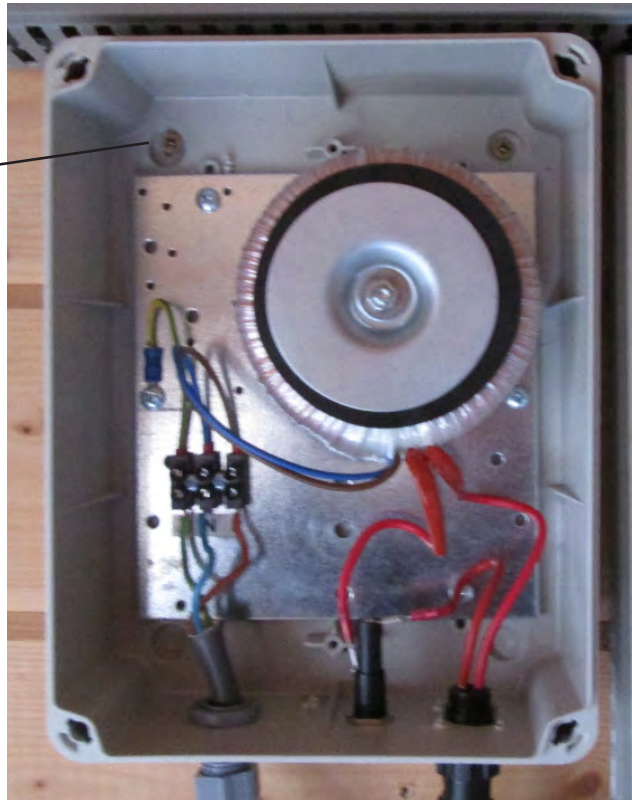
Zorg ervoor dat aan alle zijden van het Powercenter voldoende vrije ruimte beschikbaar is. Zorg ervoor dat de 5 meter lange stroomkabel van de celgroep tot de plaats reikt waar het Powercenter geïnstalleerd wordt. De behuizing van het Powercenter kan aan de muur bevestigd worden op maximaal 5 meter van de cel.

Opmerking: zie "SC-75 Gebruikershandleiding" voor installatie-instructies over het aansluiten van de cel op het Powercenter.

De behuizing van het Powercenter monteren.

- 1- Verwijder de 4 schroeven van het deksel van het Power Center en verwijder het deksel.
- 2- Plaats het Power Center op een egaal oppervlak zoals een muur of paal en markeer de plaats van elk van de 4 schroeven op de muur door op de voorziene plaatsen met een boor met kleine boorbit (moet kleiner zijn dan de diameter van de schroeven) 4 gaten door de kunststof behuizing te boren.
- 3- Boor op de gemarkeerde plaatsen 4 gaten van 6 mm. Plaats indien nodig verankeringspluggen.
- 4- Plaats het Power Center zo op de muur dat de gaten in de muur en in het Power Center tegenover elkaar zitten.
- 5- Maak het Power Center vast met vier bevestigingsschroeven (de schroeven moeten de gaten die u in het Power Center boorde, vergroten zodat de IP-beschermingsgraad behouden blijft).

Schroefopening



De kabel van de SC-75 cel aansluiten op het Powercenter

Sluit de voedingskabel van de SC-75 cel op het Powercenter aan als volgt.

1. **BELANGRIJKE WAARSCHUWING: controleer of de voedingsleiding van het Powercenter afgeschakeld is voor u de stekker van de stroomkabel aansluit op het Powercenter.**
2. Plaats de stekker van de stroomkabel van de SC-75 cel tegenover het stopcontact aan de onderzijde van het Powercenter en steek de stekker in. Verdraai de ronde borgmoer tot ze de stekker op zijn plaats vergrendelt.

Borgmoer stekker



Naar SC-75 Cel

Gebruik de volgende informatie voor het opsporen van fouten om mogelijke problemen met het Powercenter van de SC-75 zoutchlorinator op te lossen.

Opmerking: schakel de stroomtoevoer uit voor u probeert onderhoud of herstellingen uit te voeren. Sluit altijd de stroomtoevoer naar het Powercenter af voor u de cel van de SC-75 aansluit op of loskoppelt van het Powercenter.

Probleem	Mogelijke oorzaak	Maatregel
Leds van SC-75 cel branden niet.	Zekering in Powercenter is gesprongen/defect.	8 A-zekering aan onderzijde van Powercenter vervangen.
	Geen voedingsstroom naar Powercenter.	Controleren of tijdschakelaar 220 VAC aan Powercenter levert wanneer actief.
	Transformatorraden niet correct aangesloten op Powercenter.	De transformatorraden die op de voeding aangesloten zijn, controleren met behulp van de zelfklever met het aansluitschema aan de binnenzijde van het deksel van het Powercenter.

Beperkte garantie: 2 jaar

Meer informatie: www.pentairpooleurope.com

Systemspecificaties - 230 VAC

Circuitbeveiliging: tweepolige 20 AMP zekering op het elektrisch paneel.

Model SC-75P (Stroomvoorziening)

Ingangswaarden: 50Hz, 220-240 VAC, 220 W, 1 Amp.

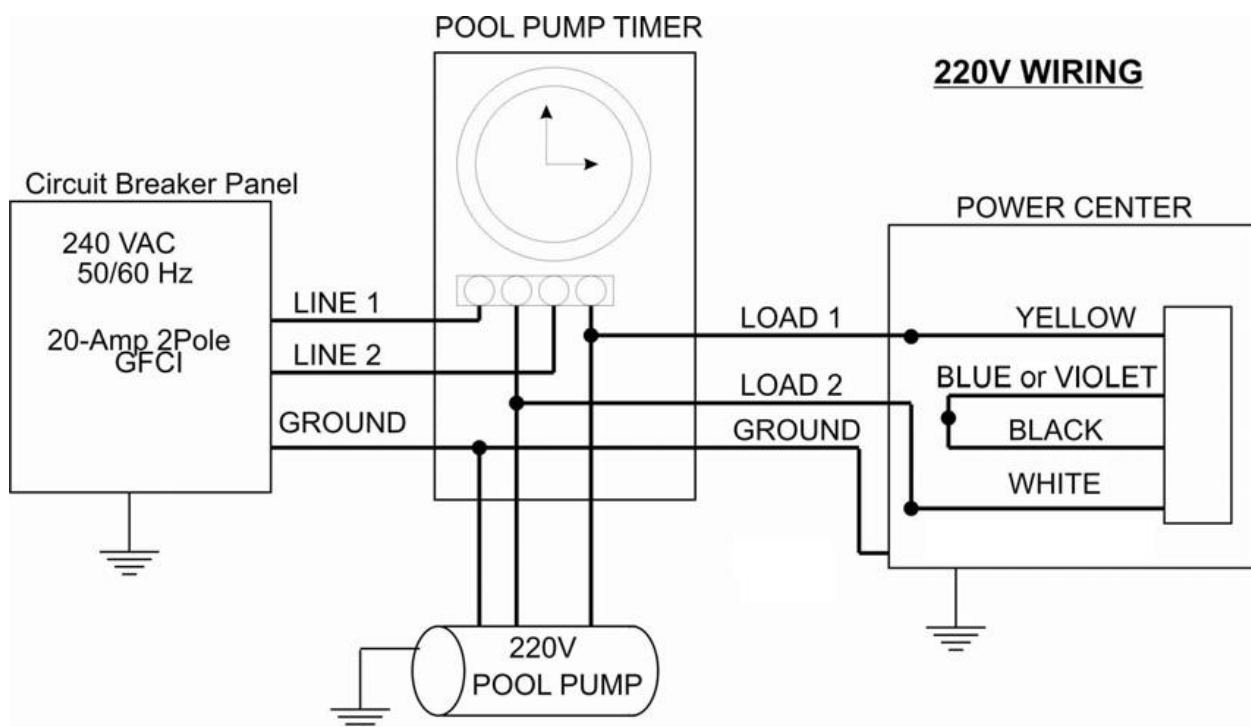
Uitgangswaarden: 28 VAC @ 5.2 Amp Max.

Waterdebiet: 6m³/u. (25 GPM) - **Max.debiet:** 24 m³/u (105 GPM) - **Max.druk:** 5 bar (75 PSI)

SC-75 AC bedradingsinstructies:

- Wanneer de SC-75 zoutchlorinator en een IntelliFlo pomp (of een pomp met variabele snelheid) worden gebruikt met een Pentair IntelliPool Automation systeem, lees dan de IntelliPool installatiehandleiding Hoofdstuk "Ontsmetingsmiddelaansluiting Alternatieve zoutchlorinator".

- Wanneer de SC-75 zoutchlorinator wordt gebruikt in combinatie met de "Pentair ControlPro Filtration Manager" en een pomp met variabele snelheid, lees dan de installatiehandleiding "Pentair ControlPro Filtration Manager".





Assistance clientèle

HERENTALS, BELGIQUE (8h30 à 16h30) Heure centrale européenne

Site Web : www.pentairpooleurope.com

E-mail : poolemea@pentair.com

Déclaration de conformité

Nous déclarons, sous notre seule responsabilité, que le produit identifié dans cette déclaration et sur lequel porte cette déclaration est conforme aux exigences de protection de la Directive du Conseil 2006/42/CEE.



Le fabricant, Pentair, est en droit de modifier les produits sans avis préalable tant que leurs caractéristiques n'en sont pas réellement altérées.

© 2015 Pentair, Inc. Tous droits réservés. Ce document peut être modifié sans avis préalable.

Marques déposées et clauses de non-responsabilité : toutes les marques déposées et logos sont la propriété de Pentair, Inc. Sta-Rite®, SC-75™, IntelliPool®, ControlPro™, Rainbow®, Eco Select® et Pentair Aquatic Systems™ sont les marques déposées de Pentair Inc. et/ou de ses entreprises affiliées aux États-Unis et/ou dans d'autres pays. Sauf mention contraire, les noms et marques de tiers qui peuvent être utilisés dans ce document ne signifient aucunement une quelconque adhésion entre les propriétaires de ces noms et marques et Pentair Inc. Ces noms et ces marques peuvent être des marques de commerce ou des marques déposées de ces tiers.

⚠ DANGER Ne pas suivre les instructions contenues dans ce manuel peut causer des effets néfastes sur la santé ou même des blessures graves, voire la mort. Ne pas suivre les instructions contenues dans ce manuel invalidera dans tous les cas les garanties et exonèrera le fabricant de toute responsabilité. LES INSTALLATEURS, OPÉRATEURS ET PROPRIÉTAIRES DE PISCINE DOIVENT LIRE CES AVERTISSEMENTS ET TOUTES LES CONSIGNES DU MANUEL DU PROPRIÉTAIRE AVANT D'UTILISER CE NETTOYEUR. CES AVERTISSEMENTS ET LE MANUEL DU PROPRIÉTAIRE DOIVENT ÊTRE LAISSÉS AU PROPRIÉTAIRE.

AVERTISSEMENTS IMPORTANTS ET CONSIGNES DE SÉCURITÉ



Avis important :

⚠ WARNING À l'attention de l'installateur : ce guide contient des informations importantes concernant l'installation, le fonctionnement et l'utilisation sécuritaire de ce produit. Cette information doit être remise au propriétaire et/ou à l'utilisateur de cet équipement après l'installation du chlorinateur à sels.

À l'attention de l'utilisateur: ce manuel contient d'importantes informations qui vous aideront à utiliser et entretenir ce chlorinateur à sels. Veuillez le conserver pour référence ultérieure. Consultez Pentair si vous avez des questions concernant ce matériel.

Avant d'installer ce produit, lire et suivre toutes les notices d'avertissement et instructions qui sont incluses. Toute effraction quant à ces consignes de sécurité et ces instructions peut causer des blessures graves ou mortelles, ou des dommages matériels. Visitez www.pentairpooleurope.com pour obtenir des exemplaires supplémentaires de ces instructions.

Informations pour le client et la sécurité

Ce chlorinateur à sels est conçu et fabriqué pour servir pendant de nombreuses années de façon sûre et fiable si son installation, son fonctionnement et son entretien respectent les informations contenues dans ce manuel. Dans tout ce manuel, des avertissements de sécurité et des avis de précaution sont identifiés par le symbole « ⚠ ». Assurez-vous de lire tous les avertissements et avis de précaution et de vous y conformer.

⚠ WARNING Pour réduire le risque de blessures, ne pas autoriser les enfants à utiliser ce produit.
Seul un professionnel d'entretien qualifié peut installer et entretenir cette pompe.

⚠ WARNING **UNE ACCUMULATION DE GAZ CHLORE PEUT SE PRODUIRE EN CAS DE CÂBLAGE INADAPTÉ** : pour réduire le risque de lésions corporelles, le centre d'alimentation du chlorinateur à sels SC-75 doit être installé et branché du côté charge du timer et contrôlé électroniquement, ou du côté de charge relais, afin de n'être alimenté que lorsque la pompe fonctionne. Dans le cas contraire, une accumulation dangereuse de gaz chlore peut se produire. L'appareil ne doit jamais être alimenté lorsque la pompe de piscine est ÉTEINTE et que l'eau ne circule pas dans l'appareil.
Ne jamais faire fonctionner le chlorinateur SC-75 sans flux ou circulation d'eau. L'accumulation de gaz inflammables engendrerait des conditions dangereuses.

⚠ CAUTION Le chlorinateur à sels SC-75 est destiné à être utilisé avec des piscines à installation permanente et peut également être utilisé avec des bains à remous et des spas le cas échéant. Ne pas utiliser avec des piscines démontables ou en acier. Une piscine installée de manière permanente est construite dans le sol, sur le sol ou dans un bâtiment, et ne peut pas être démontée pour être rangée. Une piscine démontable est conçue de manière à pouvoir être démontée rapidement en vue de son rangement et remontée dans son état d'intégrité initial.

AVERTISSEMENTS IMPORTANTS ET CONSIGNES DE SÉCURITÉ - SUITE

⚠ WARNING Lors du mélange de l'acide avec de l'eau, **TOUJOURS AJOUTER L'ACIDE À L'EAU. NE JAMAIS AJOUTER L'EAU À L'ACIDE.**

⚠ CAUTION L'utilisation de produits chimiques autres que ceux recommandés peut s'avérer dangereuse. L'utilisation appropriée des produits chimiques recommandés peut elle-même s'avérer dangereuse. Veuillez suivre les instructions du fabricant des produits chimiques.

⚠ CAUTION Pour réduire le risque de choc électrique, installer le chlorinateur à sels SC-75 à une distance minimale de 1,5 m de la paroi intérieure de la piscine. Installer l'appareil à une distance minimale de 1 m de la sortie du radiateur.

⚠ WARNING Le sel est un matériau corrosif par nature. Même si les niveaux de sel nécessaires pour garantir le fonctionnement correct du chlorinateur à sels SC-75™ sont relativement faibles en comparaison avec l'eau de mer et d'autres solutions salines, déverser quelque quantité de sel que ce soit dans votre piscine augmente les risques de corrosion ou de toute autre dégradation de l'équipement de piscine et des revêtements de surface posés dans votre bassin et autour de celui-ci. Les pièces et composants en métal (y compris les piscines en métal) ainsi que certains revêtements naturels et synthétiques sont particulièrement sensibles à la corrosion et se dégradent volontiers à proximité et dans les bassins remplis d'eau salée. Pentair Aquatic Systems (« Pentair ») ne prétend ni ne garantit en aucune façon que l'utilisation appropriée du chlorinateur à sels SC-75 suffira à prévenir la corrosion ou toute autre dégradation de l'équipement de piscine et des revêtements de surface posés dans votre bassin et autour de celui-ci. Consultez votre installateur expérimenté. Il devrait être à même de vous conseiller quant à la sélection des équipements et matériaux adéquats, aux techniques d'installation de ces équipements et matériaux ainsi qu'à leur utilisation, leur entretien et leur maintenance en fonction de la nature et de la situation de votre piscine afin de minimiser les risques de corrosion et de détérioration inhérents à la salinité relevée à proximité et dans les bassins remplis d'eau salée.

Conditions générales de la garantie limitée

Avant d'installer votre chlorinateur SC-75, réviser et comprendre tous les avertissements et l'information de sécurité contenus dans ce guide. Le fait de ne pas suivre ces instructions ou une installation incorrecte du nettoyeur peuvent causer des dommages au revêtement de la piscine ou de la membrane de vinyle; Pentair Aquatic Systems décline toute responsabilité pour les réparations ou le remplacement de quelconque de ces structures ou composants de la piscine du client.

Garantie limitée : 2 ans.

Plus d'informations : www.pentairpooleurope.com

Clause de non-responsabilité - Votre piscine et vos équipements

Il y a une multitude de facteurs qui contribuent à la durée de vie de votre piscine.

Veuillez noter qu'au fil du temps, la détérioration, la décoloration ou l'effritement de tout revêtement de piscine peuvent être causés séparément par l'âge, un déséquilibre chimique de l'eau de la piscine, une installation incorrecte ou une combinaison de ces facteurs, ainsi que d'autres facteurs.

La même situation s'applique aux piscines creusées avec membrane de vinyle, car les membranes de vinyle sont aussi affectées par l'environnement et des facteurs tels que les propriétés chimiques de l'eau de la piscine, la lumière du soleil et les environs de la piscine. Donc, avec le temps, le vinyle peut devenir cassant et fragile. De plus, les piscines avec membrane de vinyle sont affectées par la qualité de la main-d'œuvre, la composition et l'installation de la membrane, ainsi que la qualité de la main-d'œuvre et de construction des murs de soutènement et de la base de la piscine. Tous ces facteurs peuvent contribuer à un défaut de la membrane. Le fabricant décline toute responsabilité pour les réparations ou le remplacement de quelconque de ces structures ou composants de la piscine du client.

Le propriétaire de la piscine doit assumer l'entière responsabilité pour l'état et l'entretien de la surface de la piscine, de l'eau et de la terrasse.

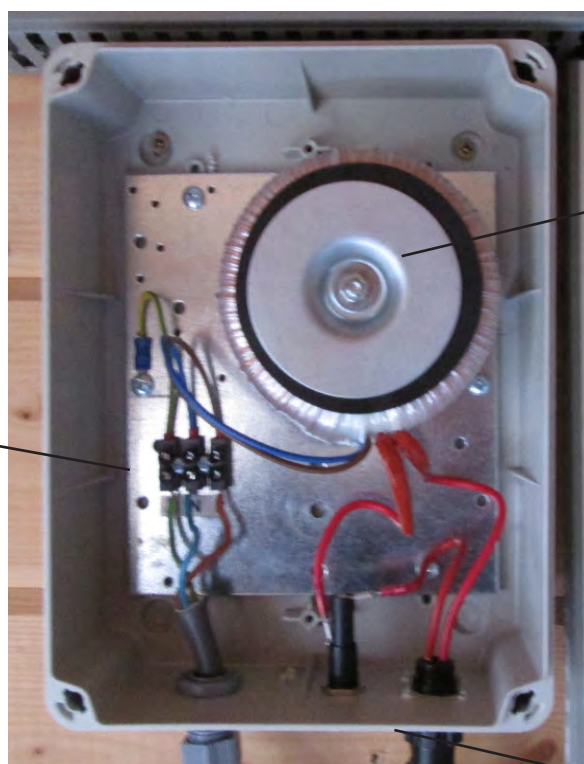
Avant l'installation du chlorinateur à sels SC-75, veuillez prendre le temps de noter son numéro de série. Vous devrez fournir ce numéro si vous contactez le Service du soutien technique.

NUMÉRO DE SÉRIE _____

APERÇU DU centre d'alimentation SC-75™

Le système de chlorinateur à sels SC-75™ comprend un centre d'alimentation et une cellule électrolytique. Le centre d'alimentation est branché sur la source électrique de la pompe de circulation, pour que la cellule électrolytique ne fonctionne que lorsque la pompe de piscine est en marche. Il est recommandé d'utiliser un timer de pompe de piscine pour économiser de l'énergie et prolonger la durée de vie de votre pompe de piscine et de votre chlorinateur SC-75. Il n'y a pas de timer inclus dans le kit du centre d'alimentation.

Le boîtier du centre d'alimentation peut être monté verticalement sur une surface plane telle qu'un mur ou un pilier, à 3 mètres (5 ft) maximum du contrôleur de la cellule. Le centre d'alimentation comprend un transformateur, un fusible et un connecteur pour la cellule. Un câblage 220 V CA est connecté au boîtier, avec une puissance de sortie vers la cellule de 28 V CA. Un fusible de 8 AMP est monté au bas du boîtier pour une protection accrue. Il n'y a pas d'autres commandes ni témoins lumineux à l'extérieur du centre d'alimentation.



Câble d'entrée CA fixé aux câbles d'alimentation CA du centre d'alimentation (Bleu et brun) - Terre = jaune / vert

Transformateur

Centre d'alimentation SC-75
(modèle SC-75P)
(sans couvercle)

Connecteur de cellule SC-75

IMPORTANT : les câbles de tension d'alimentation du centre d'alimentation doivent être branchés au CÔTÉ DE LA POMPE DU RELAIS DE POMPE DU FILTRE PRINCIPAL, située dans le centre d'alimentation/de filtrage. Cela assure que la cellule SC-75 ne produit du chlore que lorsque le filtre principal fonctionne.

Composants système SC-75

Un système de chlorinateur à sels SC-75 comprend l'un des éléments suivants :

- SC-75P : Kit centre d'alimentation Alimente la cellule SC-75.
- Cellule SC-75 : Y1146

Instructions de service

Lors de l'utilisation d'un timer de pompe de piscine : l'Association of Pool and Spa Professionals (APSP) recommande que toute l'eau d'une piscine résidentielle circule dans le système de filtration au moins une fois toutes les 12 heures (processus appelé rotation de l'eau de piscine). Toutefois, divers facteurs ont un effet sur les temps de fonctionnement réels de la pompe et du filtre. La taille de la piscine, la source de l'eau, la lumière directe du soleil, la situation en intérieur et en extérieur, la présence ou l'absence de protection, le système de filtration, les températures chaudes ou froides, le nombre de nageurs, la pluie, les débris organiques, les algues, etc. sont tous des facteurs contribuant à l'augmentation ou la diminution des temps de fonctionnement du système de la pompe et du filtre. En raison de ces différences, il est extrêmement difficile d'établir un temps de fonctionnement initial (point de départ) pour la pompe de piscine et le système de chloration. Régler initialement le timer de la pompe de piscine sur 12 heures. Trouver le temps de fonctionnement adéquat de la pompe de piscine prendra quelques jours. Lorsque le chlorinateur est relié à un timer de pompe de piscine, les résultats varient beaucoup d'une installation de piscine à l'autre. Il est donc important d'en discuter avec le constructeur de votre piscine ou votre pisciniste.

Installation

Les informations générales suivantes expliquent comment installer le centre d'alimentation SC-75. Avant l'installation, revoir le contenu du kit SC-75 et les outils requis.

Contenu du kit

Un centre d'alimentation et un guide d'installation (ce manuel)

Outils requis

Tournevis plat et cruciforme, voltmètre (pour déterminer la tension d'alimentation CA du centre d'alimentation), perceuse électrique et trépan de maçonnerie 1/4" (pour monter le centre d'alimentation).

Installation du centre d'alimentation SC-75

⚠ WARNING **PRÉCAUTIONS DE SÉCURITÉ IMPORTANTES. VEUILLEZ LIRE LES INSTRUCTIONS SUIVANTES :** lire toutes les précautions de sécurité de ce manuel avant de tenter tout câblage électrique. Assurez-vous de lire et suivre toutes les Instructions de sécurité Le câblage ne doit être effectué que par un professionnel qualifié. Lors de l'utilisation de produits électriques, prenez toujours des précautions de sécurité élémentaires, notamment :

⚠ DANGER **RISQUE DE CHOC ÉLECTRIQUE POUVANT CAUSER DES LÉSIONS CORPORELLES GRAVES, VOIRE LA MORT.**

Avant d'installer l'appareil, assurez-vous que l'alimentation du circuit d'alimentation du système est déconnecté/éteint au niveau du disjoncteur.

IMPORTANT : l'alimentation électrique doit être interconnectée avec la source d'alimentation du moteur de la pompe de piscine. Cela permet d'assurer que le chlorinateur SC-75 et la pompe de piscine s'allument et s'éteignent en même temps.

La mise à la terre est nécessaire. L'unité doit être installée par un installateur qualifié.

⚠ CAUTION Installer l'unité SC-75 à un minimum de 60 cm de la sortie de chauffage.

- Laisser un accès aisé aux boutons du panneau de commande SC-75 et au centre d'alimentation SC-75.
- Raccords tuyauterie : modèle 80, pression maximale 5 Bar (75 psi) à 21°C
- Utiliser l'appareil avec 6m³/h (25 GPM). Pour les applications avec un débit important, utiliser un by-pass.

⚠ CAUTION Installer le centre d'alimentation à hauteur de regard, le plus près possible de la pompe SC-75 et du filtre.
Le centre d'alimentation doit être installé à plus de 2,5 mètres des bords de la piscine.

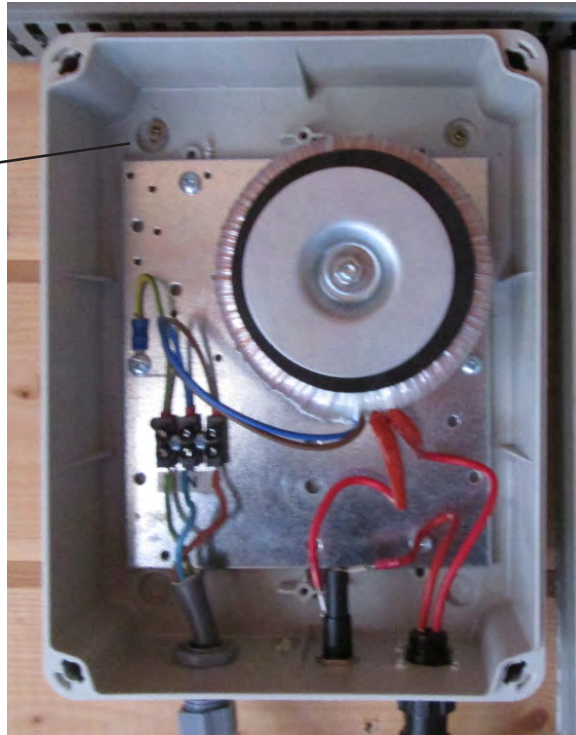
Laisser suffisamment d'espace de tous les côtés du centre d'alimentation. S'assurer que le cordon secteur de 5 mètres de l'emplacement de l'ensemble cellule puisse atteindre l'emplacement du centre d'alimentation. Le boîtier du centre d'alimentation peut être monté sur le mur, à une distance maximale de 5 mètres de la cellule.

Remarque : pour les instructions d'installation au sujet du branchement de la cellule au centre d'alimentation, voir le « Guide de l'utilisateur du chlorinateur SC-75 ».

Monter le boîtier du centre d'alimentation

- 1- Retirer le couvercle du Power Center en dévissant les 4 vis.
- 2- Positionner le Power Center sur une surface plane telle qu'un mur ou un panneau and percer à l'aide d'une mèche de petit diamètre (plus petit que celui des vis) à travers les 4 emplacements pré-perçés à l'intérieur du Power Center afin de marquer le mur à l'emplacement de chacune des vis.
- 3- Percer 4 trous de 6mm aux emplacements marqués, installer des chevilles si nécessaire.
- 4- Repositionner le Power Center en alignant les trous dans le mur et le Power Center.
- 5- Installer et serrer les 4 vis (au passage des vis le trous précédemment percés dans le Power Center doivent s'élargir garantissant le maintien de l'indice IP).

Trou de vis



Brancher le câble de cellule SC-75 au centre d'alimentation.

Brancher le câble d'alimentation de la cellule SC-75 au centre d'alimentation, comme suit :

1. **AVERTISSEMENT IMPORTANT : assurez-vous que la tension d'alimentation CA du centre d'alimentation est COUPÉE avant de brancher le cordon secteur au centre d'alimentation.**
2. Aligner le connecteur du cordon secteur de la cellule SC-75 avec la prise au bas du centre d'alimentation, puis insérer le connecteur. Tourner l'écrou rond de la prise jusqu'à ce qu'il fixe le connecteur en place.

Écrou de la prise du connecteur



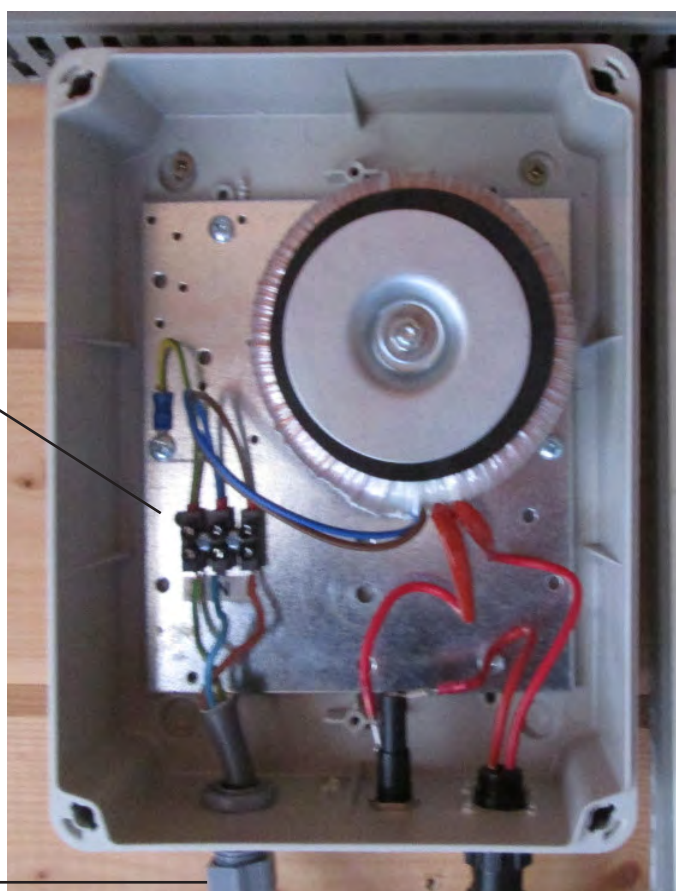
À la cellule SC-75

Connecter l'alimentation CA au centre d'alimentation à l'aide d'un timer automatique.

Connecter l'alimentation CA au centre d'alimentation à l'aide d'un timer automatique, comme suit :

1. **AVERTISSEMENT IMPORTANT : assurez-vous que la tension d'alimentation CA du centre d'alimentation est ÉTEINTE avant de brancher l'alimentation CA au centre d'alimentation.**
2. Utiliser un câble isolé trois conducteurs 12-14 AWG pour le branchement d'alimentation CA principal. Brancher le centre d'alimentation à la source d'alimentation CA de la pompe de piscine. Le centre d'alimentation doit être connecté à l'interrupteur ou au timer automatique du moteur de la pompe.
3. Fixer le câble de TERRE entrant à la cosse de mise à la terre au centre d'alimentation. Câble jaune / vert. Fixer le câble neutre et ligne, bleu et brun.
5. Remplacer le couvercle du centre d'alimentation et le fixer avec la vis du couvercle.
6. L'installation du centre d'alimentation est terminée. Pour obtenir des informations sur le fonctionnement du chlorinateur SC-75, veuillez vous référer au guide de l'utilisateur du chlorinateur SC-75.

Fixer les câbles d'alimentation du relais de pompe de filtre centre de charge (3 câbles 12-14 AWG) aux câbles d'alimentation CA du centre d'alimentation SC-75P.



Débouchure pour conduit pour source de câble d'alimentation CA

Centre d'alimentation SC-75P (sans couvercle)

Utiliser les informations de dépannage suivantes pour résoudre les problèmes éventuels de votre centre d'alimentation du chlorinateur à sels SC-75.

Remarque : couper le courant de l'appareil avant de tenter un entretien ou une réparation. Toujours couper l'alimentation CA du centre d'alimentation lors du branchement ou du débranchement de la cellule SC-75 sur le centre d'alimentation.

Problème	Cause probable	Solution
Les LED de la cellule SC-75 sont éteintes.	Le fusible du centre d'alimentation est ouvert/défectueux.	Remplacer le fusible 8 AMP, situé au bas du centre d'alimentation.
	Pas d'alimentation CA au centre d'alimentation.	Vérifier que le timer fournit du courant 220 V CA au centre d'alimentation, lorsqu'il est actif.
	Les cosses du transformateur ne sont pas correctement branchées au centre d'alimentation.	Vérifier les fils de sortie du transformateur branchés sur la source CA en vous référant au schéma de câblage collé à l'intérieur du couvercle du centre d'alimentation.

Garantie limitée : 2 ans.

Pour plus d'informations : www.pentairpooleurope.com

Spécifications système - 230 V CA

Protection circuit : dispositif deux pôles 20 AMP sur le panneau électrique.

Modèle SC-75P (alimentation)

Entrée : 50Hz, 220-240 VAC, 220 W, 1 Amp.

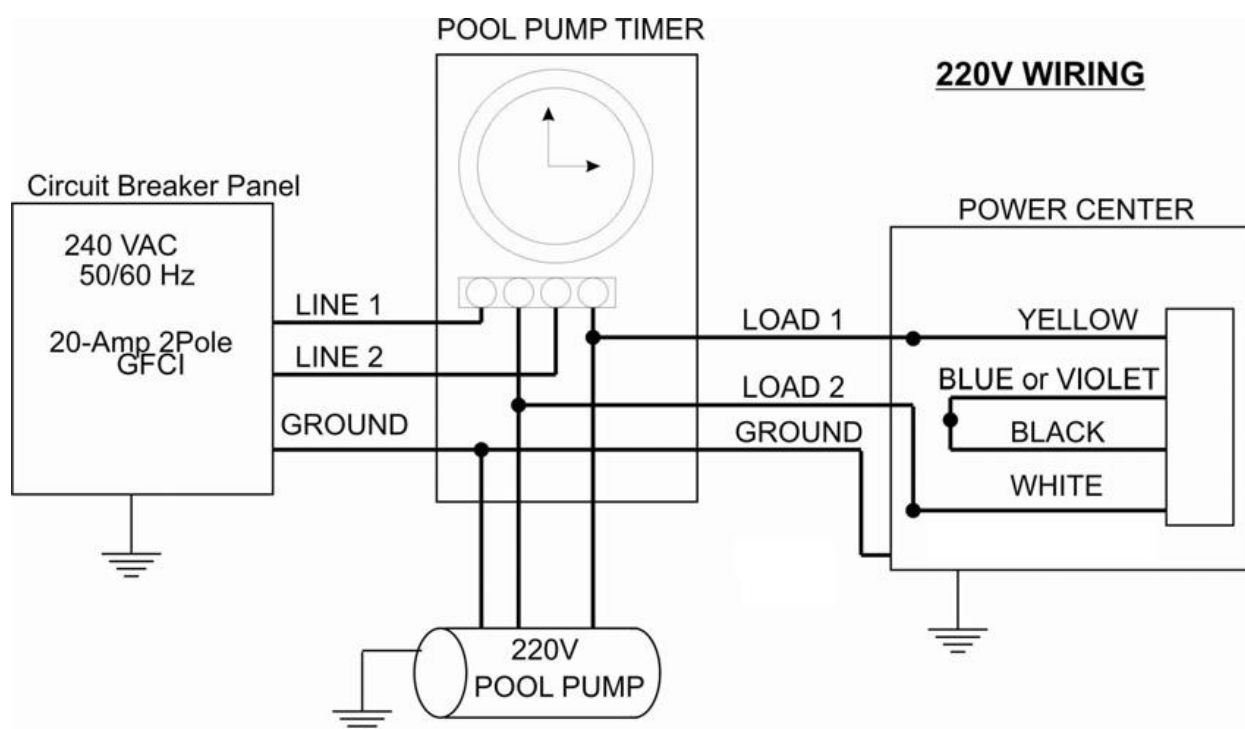
Sortie : 28 VAC à 5,2 Amp Max.

Débit d'eau : 6m³/h (25G PM) - Débit max : 24m³/h (105 GPM) - Pression max : 5 Bar (75 PSI)

Instructions câblage CA SC-75 :

- Lors de l'utilisation du chlorinateur à sels SC-75 et d'une pompe IntelliFlo (ou pompe à vitesse variable) avec un Système d'automatisation Pentair IntelliPool, veuillez lire le Manuel d'installation IntelliPool Section « Connexion désinfectant - chlorinateur à sels alternatif ».

Lors de l'utilisation du chlorinateur à sels SC-75 avec le « Gestionnaire de filtration Pentair ControlPro » et une pompe à vitesse variable, veuillez lire le manuel d'instruction « Gestionnaire de filtration Pentair ControlPro ».





Atención al cliente

HERENTALS, BÉLGICA (de 8:30 a.m. a 4:30 p.m.) HCE
Sitio web : www.pentairpooleurope.com
Correo electrónico: poolemea@pentair.com

Declaración de conformidad

Declaramos, bajo nuestra exclusiva responsabilidad, que el producto identificado en esta declaración, y al que se refiere esta declaración, cumple con las normativas de protección de la Directiva 2006/42/CE.



El fabricante, Pentair, tiene derecho a modificar los productos sin previo aviso siempre y cuando no modifique realmente sus características.

© 2015 Pentair, Inc. Todos los derechos reservados. Este documento está sujeto a cambios sin previo aviso.

Marcas comerciales y exenciones de responsabilidad: todas las marcas comerciales y logotipos de Pentair son propiedad de Pentair, Inc. Sta-Rite®, SC-75™, IntelliPool®, ControlPro™, Rainbow®, Eco Select® y Pentair Aquatic Systems™ son marcas comerciales de Pentair Inc. y/o de sus sociedades filiales en los Estados Unidos u otros países. Salvo que se indique lo contrario, los nombres y marcas de terceros que figuran en este documento no se utilizan para indicar una afiliación o aprobación entre los propietarios de estos nombres y marcas y Pentair Inc. Esos nombres comerciales y marcas pueden ser marcas comerciales o marcas registradas de estas terceras partes.

⚠ DANGER El incumplimiento de las instrucciones de este manual puede provocar efectos negativos graves para la salud e incluso lesiones graves o mortales. El incumplimiento de las instrucciones de este manual invalidará todas las garantías y la responsabilidad por parte del fabricante. ANTES DE UTILIZAR ESTE CLORADOR SALINO, LOS INSTALADORES, OPERADORES Y PROPIETARIOS DEBEN LEER ESTAS ADVERTENCIAS Y LAS INSTRUCCIONES DEL MANUAL DEL PROPIETARIO. ESTAS ADVERTENCIAS Y EL MANUAL DEL PROPIETARIO DEBEN PERMANECER SIEMPRE EN PODER DEL PROPIETARIO.

INSTRUCCIONES DE SEGURIDAD Y ADVERTENCIAS IMPORTANTES



Aviso importante:

⚠ WARNING Atención instalador: esta guía contiene información importante sobre la instalación, el funcionamiento y el uso seguro de este producto. Se debe proporcionar esta información al dueño y/u operador del equipo tras la instalación del clorador salino.

Atención usuario: este manual contiene información importante que le ayudará a utilizar y mantener este clorador salino. Por favor, consérvelo para futuras consultas. Consulte a Pentair cualquier duda relacionada con este equipo.

Antes de instalar este producto, lea y cumpla todos los avisos e instrucciones que incluye. No seguir las instrucciones ni prestar la debida atención a las advertencias puede ocasionar daños en la propiedad, lesiones graves y hasta la muerte. Visite www.pentairpooleurope.com para obtener ejemplares gratuitos de este manual de instrucciones.

Información para el consumidor y aspectos de seguridad

Este clorador salino está diseñado y fabricado para proporcionar muchos años de servicio seguro y fiable siempre que se instale, opere y mantenga siguiendo las instrucciones incluidas en este manual. A lo largo del mismo, las advertencias y precauciones relacionadas con la seguridad se indicarán con el símbolo “**⚠**”. Asegúrese de leer y cumplir todas las advertencias y precauciones.

⚠ WARNING Para reducir el riesgo de lesiones, no permita que los niños utilicen este producto. Las tareas de inspección y mantenimiento de este producto solo podrán ser realizadas por un profesional debidamente cualificado.

⚠ WARNING **SI EL CABLEADO ELÉCTRICO ES INCORRECTO, PUEDE PRODUCIRSE ACUMULACIÓN DE CLORO GASEOSO:** para reducir el riesgo de lesiones físicas, la caja de alimentación del clorador salino SC-75 debe instalarse y cablearse en el lado de carga del cronómetro, en un interruptor controlado electrónicamente o en el lado de carga del relé, de forma que reciba alimentación solo cuando la bomba de la piscina esté activada. De lo contrario, podría producirse una acumulación peligrosa de cloro gaseoso. La unidad nunca debe recibir alimentación cuando la bomba de la piscina esté apagada y no fluya agua a través de la unidad.

Nunca accione el clorador SC-75 sin una circulación o un flujo de agua adecuados. Una acumulación de gases inflamables dará lugar a situaciones peligrosas.

⚠ CAUTION El clorador salino SC-75 está previsto para ser utilizado en piscinas fijas y también se puede utilizar en bañeras de hidromasaje y spas si así está especificado. No se debe utilizar en piscinas portátiles o de acero. Una piscina fija está construida en o sobre el suelo, o dentro de un edificio, de manera que no se puede desmontar inmediatamente para su almacenamiento. Una piscina portátil está construida de manera que pueda desmontarse fácilmente para su almacenamiento, y que pueda volver a montarse posteriormente.

INSTRUCCIONES DE SEGURIDAD Y ADVERTENCIAS IMPORTANTES - CONTINUACIÓN

⚠ WARNING Cuando mezcle ácido con agua, **SIEMPRE AÑADA EL ÁCIDO AL AGUA. NUNCA AÑADA AGUA AL ÁCIDO.**

⚠ CAUTION El uso de productos químicos distintos a los recomendados puede resultar peligroso. Incluso el uso correcto de los productos químicos recomendados puede resultar peligroso. Siga las instrucciones del fabricante del producto químico correspondiente.

⚠ CAUTION Para reducir el riesgo de descarga eléctrica, instale el clorador salino SC-75 a una distancia mínima de 1,5 m de la pared interior de la piscina. Instale la unidad a una distancia mínima de 1 m de la salida del calentador.

⚠ WARNING La sal es un material esencialmente corrosivo. Aunque los niveles de sal necesarios para que el clorador salino SC-75™ funcione correctamente son relativamente bajos en comparación con el agua del mar u otras soluciones salinas, añadir cualquier cantidad de sal a la piscina incrementa las probabilidades de corrosión y otras formas de deterioro de los equipos de la piscina y de las superficies utilizadas en la piscina y en torno a ella. Las piezas metálicas (incluidas las piscinas metálicas) y algunas superficies naturales y artificiales son particularmente susceptibles a la corrosión y al deterioro cuando se utilizan en piscinas de agua salada y en torno a las mismas. Pentair Aquatic Systems ("Pentair") no manifiesta ni garantiza que el uso correcto del clorador salino SC-75 evite la corrosión o el deterioro del equipo de la piscina y de cualquier superficie del interior o los alrededores de su piscina. Consulte a un profesional de mantenimiento de piscinas con experiencia, que podrá asesorarle en la elección de los materiales correctos, las técnicas de instalación de estos materiales, así como el uso, cuidado y mantenimiento adecuados de dichos materiales para su tipo de piscina y emplazamiento, a fin de minimizar la corrosión y el deterioro inherentes al interior y los alrededores de las piscinas de agua salada.

Términos y condiciones de garantía limitada

Antes de instalar su SC-75, lea y entienda todas las advertencias y la información relativa a la seguridad y a la garantía que incluye este manual. No seguir las instrucciones o instalar el clorador salino inadecuadamente puede ocasionar daños al acabado de la piscina o al revestimiento de vinilo. Pentair Aquatic Systems no se hará responsable de las reparaciones o de la sustitución de ninguna de estas estructuras o componentes de la piscina del cliente.

Garantía limitada: 2 años

Más información: www.pentairpooleurope.com

Exención de responsabilidad - Acerca de su piscina y equipos

Existen múltiples factores que contribuyen a la longevidad de su piscina.

Por favor, tenga en cuenta que con el paso del tiempo es posible que se produzca deterioro, decoloración o fragilidad en los revestimientos de piscina, independientemente de o en combinación con el tiempo de uso, un desequilibrio en la química del agua, una instalación inadecuada y otros factores.

La misma situación se da en piscinas de revestimiento de vinilo que están enterradas, porque los revestimientos de vinilo también se ven afectados por el medio ambiente y por factores como la química del agua de la piscina, la luz solar y los alrededores de la piscina. Por lo tanto, con el paso del tiempo, el vinilo puede volverse frágil y débil. Además, las piscinas con revestimiento de vinilo se ven afectadas por la calidad, la composición e instalación del revestimiento y la calidad de la construcción de las paredes de contención y de la base de la piscina. Todos estos factores pueden contribuir al fallo del revestimiento. El fabricante no se hará responsable de las reparaciones ni de la sustitución de ninguna de estas estructuras o componentes de la piscina del cliente.

El propietario de la piscina es el único responsable de las condiciones y del mantenimiento de la superficie de la piscina, del agua y del borde.

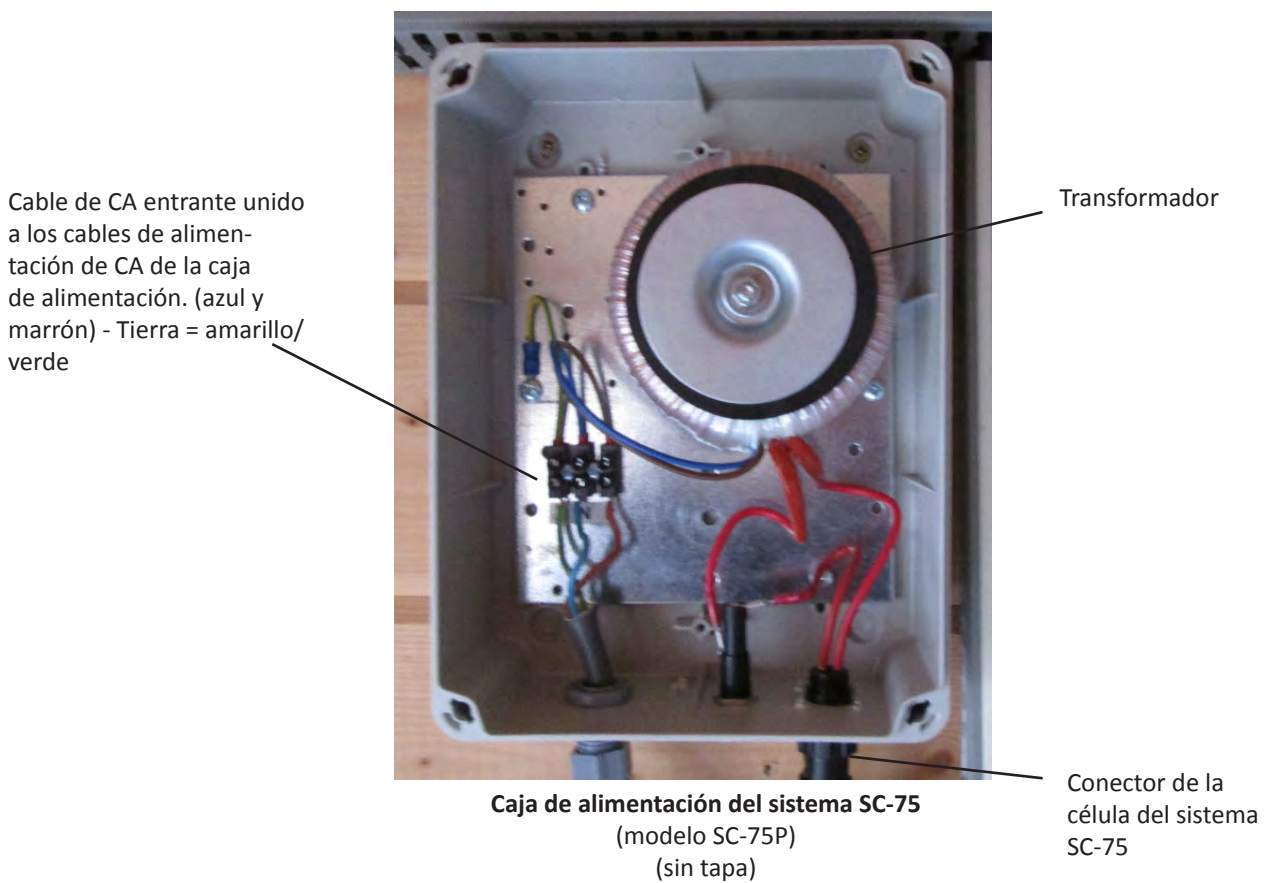
Antes de instalar el clorador salino SC-75, por favor, tómese un momento para anotar el número de serie. Se le pedirá este número cuando contacte con el Departamento de soporte técnico.

Nº DE SERIE _____

CAJA DE ALIMENTACIÓN DEL SISTEMA SC-75™ - RESUMEN

El clorador salino SC-75™ consta de una caja de alimentación y de una célula electrolítica. La caja de alimentación está conectada a la fuente de alimentación de la bomba de circulación de la piscina, de forma que la célula electrolítica solo funciona cuando la bomba está encendida. Se recomienda utilizar un programador para la bomba de la piscina a fin de ahorrar energía y prolongar la vida útil del sistema SC-75 y de la bomba. Programador no incluido en el kit de la caja de alimentación.

La carcasa de la caja de alimentación se puede montar en posición vertical sobre una superficie plana, como una pared o un poste, a una distancia máxima de 3 metros del programador de la célula. La caja de alimentación alberga el transformador, el fusible y el conector de la célula. El cableado eléctrico de 220 V CA está conectado a esta caja, con una salida de 28 V CA a la célula. En la base de la carcasa hay un fusible de 8 A para reforzar la protección. No hay luces ni controles en la parte exterior de la caja de alimentación.



IMPORTANTE: los cables de tensión de la línea de la caja de alimentación deben conectarse al LADO DE LA BOMBA DONDE ESTÁ EL RELÉ DE LA BOMBA DEL FILTRO PRINCIPAL que se encuentra en la caja de alimentación. De esta forma, la célula del sistema SC-75 solo producirá cloro cuando la bomba del filtro principal esté activada.

Componentes del sistema SC-75

Un clorador salino SC-75 consta de los siguientes elementos:

- SC-75P: kit de la caja de alimentación. Suministra alimentación a la célula del sistema SC-75.
- Célula SC-75 (Referencia Y1146)

Instrucciones de funcionamiento

Si se usa un programador para la bomba de la piscina: la Asociación de Profesionales de Piscinas y Spas (APSP) recomienda que toda el agua de una piscina residencial pase a través del sistema de filtración como mínimo una vez cada 12 horas (lo que se denomina renovación del agua de la piscina). Sin embargo, son muchos los factores que afectan al tiempo de funcionamiento del sistema de bomba y filtro. El tamaño de la piscina, la fuente de agua, la luz solar directa, que la piscina sea cubierta o descubierta, que la piscina esté o no protegida, el sistema de filtración, el clima frío o cálido, la cantidad de bañistas, la lluvia, los residuos orgánicos, las algas, etc. son factores que contribuyen al aumento o la reducción de los tiempos de funcionamiento del sistema de bomba y filtro de la piscina. Debido a estas diferencias, resulta extremadamente difícil determinar un tiempo de funcionamiento inicial (punto de partida) para la bomba y el sistema de producción de cloro. Pruebe un ajuste inicial de 12 horas en el programador de la bomba. Tardará algunos días en determinar el tiempo correcto de funcionamiento de la bomba de la piscina. Si el clorador salino está conectado al programador de la bomba de la piscina, los resultados variarán mucho de una piscina a otra, esto debe comentárselo al constructor de la piscina o bien al profesional de mantenimiento de piscinas.

Instalación

A continuación se describe el modo de instalación de la caja de alimentación del sistema SC-75. Antes de instalar, compruebe el contenido del kit del sistema SC-75 y las herramientas necesarias.

Contenido del kit

Una caja de alimentación y una guía de instalación (este manual)

Herramientas necesarias

Destornilladores de punta de cruz y punta plana, voltímetro (para determinar la tensión de la línea de CA a la caja de alimentación), taladro eléctrico y broca de mampostería de 1/4" (para montar la caja de alimentación).

Instalación de la caja de alimentación del sistema SC-75

⚠ WARNING PRECAUCIONES DE SEGURIDAD IMPORTANTES LEA LO SIGUIENTE: Lea las precauciones de seguridad de este manual antes de tender el cableado eléctrico. Lea y siga todas las instrucciones de seguridad. El cableado eléctrico solo debe realizarlo un profesional cualificado. Durante el uso de productos eléctricos se deben respetar en todo momento las precauciones de seguridad básicas, incluidas las siguientes:

⚠ DANGER RIESGO DE DESCARGA ELÉCTRICA, QUE PUEDE PROVOCAR LESIONES FÍSICAS GRAVES E INCLUSO LA MUERTE.



Antes de realizar la instalación, compruebe que la alimentación del circuito eléctrico del sistema está desconectada/cortada en el disyuntor.

IMPORTANTE: la alimentación eléctrica debe estar interconectada con la fuente de alimentación del motor de la bomba de la piscina. De esta forma, el clorador salino SC-75 y la bomba de la piscina se encenderán y apagarán juntos.

Se requiere conexión a tierra. La unidad debe ser instalada por un profesional cualificado.

⚠ CAUTION Instale la unidad SC-75 a una distancia mínima de 60 cm (dos pies) de la salida del calentador.

- Deje espacio suficiente para acceder a los botones del panel de control del sistema SC-75 y a la caja de alimentación del sistema SC-75.
- Racores de tubos: programa 80, presión máxima 5 bar (75 psi) a 21 °C
- Accione la unidad con 6 m³/h (25 GPM). Para aplicaciones de flujo elevado, utilice un circuito de by-pass.

⚠ CAUTION Instale la caja de alimentación a la altura de la vista, lo más cerca posible del sistema de filtración y de la bomba SC-75.

La caja de alimentación debe instalarse a más de 2,5 metros (8 pies) de los bordes de la piscina.

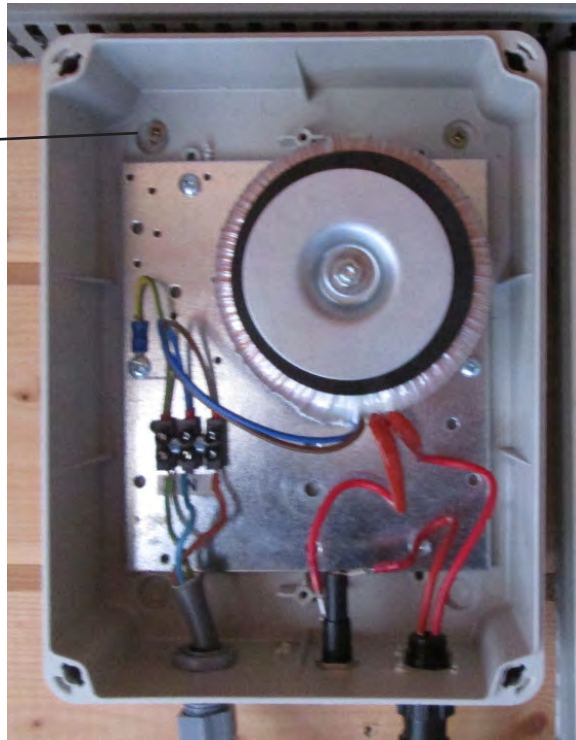
Deje espacio suficiente por todos los lados de la caja de alimentación. Compruebe que el cable de alimentación de 5 metros (15 pies) del conjunto de la célula llegue hasta donde está situada la caja de alimentación. La carcasa de la caja de alimentación puede montarse en la pared a una distancia máxima de 5 metros (15 pies) de la célula.

Nota: para conocer las instrucciones de conexión de la célula con la caja de alimentación, consulte la "Guía de usuario del sistema SC-75".

Montaje de la carcasa de la caja de alimentación

- 1- Extraiga los 4 tornillos de fijación de la tapa del Power Center y retírela.
- 2- Coloque el Power Center sobre una superficie plana, como una pared o un poste, y realice 4 orificios con una pequeña broca (debe ser menor que el diámetro del tornillo) en los puntos específicos de la carcasa de plástico para marcar en la pared la ubicación de los 4 tornillos.
- 3- Realice 4 orificios de 6 mm en los puntos marcados e instale anclajes si fuera necesario.
- 4- Coloque el Power Center alineando sus orificios con los de la pared.
- 5- Introduzca y apriete los cuatro tornillos de montaje (deben agrandar los orificios perforados anteriormente en el Power Center para garantizar que el índice IP se mantenga).

Orificio de brida



Conexión del cable de la célula del sistema SC-75 con la caja de alimentación

Conecte el cable de la célula del sistema SC-75 con la caja de alimentación del modo que sigue:

1. **ADVERTENCIA IMPORTANTE: compruebe que la línea de alimentación de CA de la caja de alimentación esté apagada antes de conectar el conector del cable de alimentación a la caja de alimentación.**
2. Alinee el conector del cable de alimentación de la célula del sistema SC-75 con el enchufe situado en la parte inferior de la caja de alimentación e inserte el conector. Gire la tuerca redonda del enchufe hasta encajar el conector en su lugar.

Tuerca del enchufe del conector



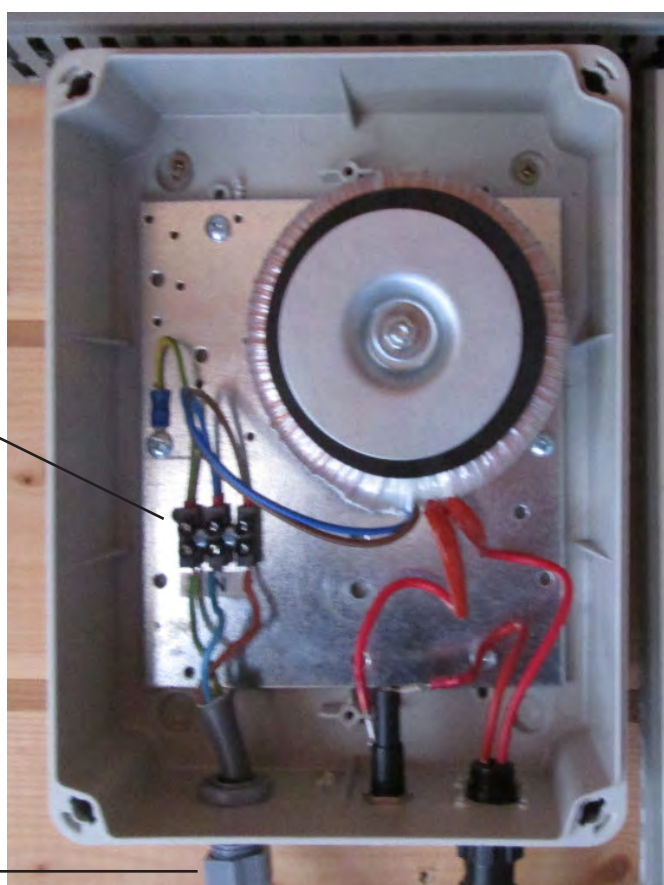
A la célula del sistema SC-75

Conexión de alimentación de CA a la caja de alimentación con un programador automático

Conecte la alimentación de CA a la caja de alimentación con un programador automático del modo que sigue:

1. **ADVERTENCIA IMPORTANTE:** compruebe que la línea de alimentación de CA de la caja de alimentación esté apagada antes de conectar la alimentación de CA a la caja de alimentación.
2. Utilice un cable aislado de tres conductores 12-14 AWG para conectar la alimentación de CA. Conecte la caja de alimentación con la fuente de alimentación de CA de la bomba de la piscina. La caja de alimentación debe conectarse al interruptor del motor de la bomba o al programador automático.
3. Conecte el cable de toma de TIERRA entrante a la conexión de tierra de la caja.
4. Vuelva a colocar la tapa de la caja de alimentación y apriete el tornillo de la tapa.
5. Ha terminado de instalar la caja de alimentación. Si desea información sobre el funcionamiento del sistema SC-75, consulte la Guía de usuario del sistema SC-75.

Conecte los cables de alimentación entrantes del relé de la bomba del filtro (cable de 3 conectores 12-14 AWG) con los cables de alimentación de CA de la caja de alimentación del sistema SC-75.



Anulación del circuito de alimentación del cable de CA.

Caja de alimentación del sistema SC-75 (sin tapa)

Utilice la siguiente información para resolver posibles problemas con la caja de alimentación del clorador salino SC-75.

Nota: suprima la alimentación de la unidad antes de realizar cualquier tarea de mantenimiento o reparación. Suprima la alimentación de CA de la caja de alimentación al enchufar y desenchufar la célula del sistema SC-75 a la caja de alimentación.

Problema	Posible causa	Medida correctiva
Los indicadores LED de la célula del sistema SC-75 no están encendidos.	El fusible de la caja de alimentación está fundido.	Sustituya el fusible de 8 A situado en la parte inferior de la caja de alimentación.
	La alimentación de CA no llega a la caja de alimentación.	Compruebe que el cronómetro suministra 220 V CA a la caja de alimentación cuando está activada.
	Los cables del transformador no están bien conectados a la caja de alimentación.	Compruebe que los cables del transformador estén conectados a la fuente de alimentación de CA consultando el diagrama de cableado eléctrico situado en el interior de la tapa de la caja de alimentación.

Garantía limitada: 2 años

Más información: www.pentairpooleurope.com

Especificaciones del sistema - 230 V CA

Protección del circuito: dispositivo bipolar de 20 A en el panel eléctrico.

Modelo SC-75P (ALIMENTACIÓN ELÉCTRICA)

Entrada: 50Hz, 220-240 V CA, 220 W, 1 A

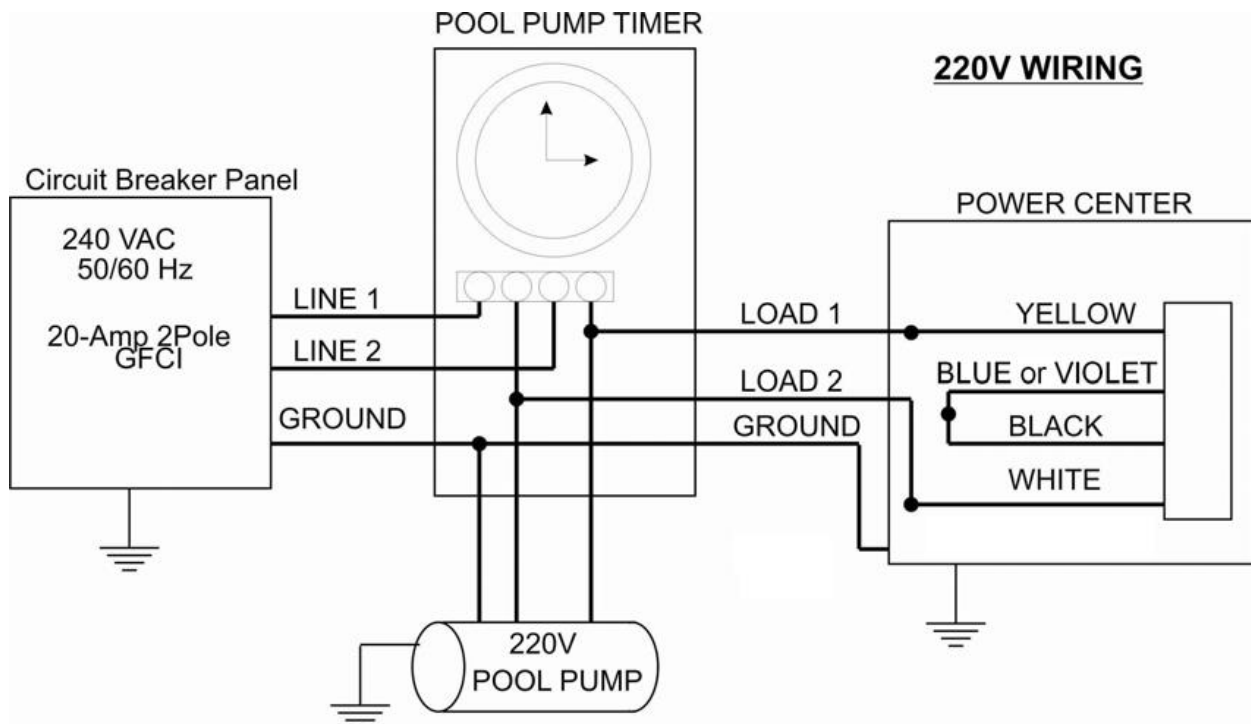
Salida: 28 V CA @ 5,2 A máximo

Flujo del agua: 6 m³/h (25 GPM) - **Flujo máx.:** 24 m³/h (105 GPM) - **Presión máx.:** 5 bar (75 PSI)

Instrucciones del cableado eléctrico de CA del sistema SC-75

- Si utiliza el clorador salino SC-75 y una bomba IntelliFlo (o una bomba de velocidad variable) con un sistema de automatización IntelliPool de Pentair, lea el manual de instalación del sistema IntelliPool - Apartado "Conexión del desinfectante - Clorador de sal opcional".

- Si utiliza el clorador salino SC-75 con el "Controlador de filtración ControlPro de Pentair" y una bomba de velocidad variable, lea el manual de instalación del "Controlador de filtración ControlPro de Pentair".





Assistenza clienti

HERENTALS, BELGIO (dalle 8:30 alle 16:30) CET

Sito web: www.pentairpooleurope.com

E-mail: poolemea@pentair.com

Dichiarazione di conformità

Dichiariamo, sotto la nostra responsabilità, che il prodotto identificato in questa dichiarazione e a cui questa dichiarazione si riferisce, è conforme ai requisiti di protezione della Direttiva 2006/42/CE del Consiglio.



Il produttore, Pentair, ha il diritto di modificare i prodotti senza preavviso, nella misura in cui tali modifiche non alterino le caratteristiche essenziali degli stessi.

© 2015 Pentair, Inc. Tutti i diritti riservati. Il presente documento è soggetto a modifica senza preavviso.

Marchi di fabbrica ed esclusioni di responsabilità: tutti i marchi commerciali e i loghi Pentair sono di proprietà di Pentair, Inc. Sta-Rite®, SC-75™, IntelliPool®, ControlPro™, Rainbow®, Eco Select® e Pentair Aquatic Systems™ sono marchi di fabbrica di Pentair Inc. e/o delle sue affiliate negli Stati Uniti e/o in altri paesi. Salvo esplicita indicazione, i nomi e i marchi di terzi eventualmente contenuti nel presente documento non sono utilizzati per indicare un'affiliazione o supporto fra i proprietari di tali nomi e marchi e Pentair Inc. Tali nomi e marchi possono essere marchi commerciali o marchi registrati dei terzi citati.

⚠ DANGER Il mancato rispetto delle istruzioni del presente manuale può comportare conseguenze gravi per la salute o addirittura conseguenze mortali. Il mancato rispetto delle istruzioni del presente manuale in qualsiasi caso rende nulle le garanzie e responsabilità da parte del produttore. GLI INSTALLATORI, I TECNICI E I PROPRIETARI DEVONO LEGGERE LE PRESENTI AVVERTENZE E TUTTE LE ISTRUZIONI CONTENUTE NEL MANUALE D'USO PRIMA DI UTILIZZARE IL PULITORE. LE PRESENTI AVVERTENZE E IL MANUALE D'USO DEVONO ESSERE LASCIATI AL PROPRIETARIO DELLA CASA.

AVVERTENZA IMPORTANTE E ISTRUZIONI DI SICUREZZA



Avvertenza importante:

⚠ WARNING Avviso per gli installatori: questa guida contiene informazioni importanti per l'installazione, il funzionamento e l'uso sicuro del prodotto. Tali informazioni devono pertanto essere consegnate al proprietario e/o all'utente di questa apparecchiatura dopo l'installazione del produttore di cloro a sale.

Avviso per gli utenti: questo manuale contiene informazioni importanti per il funzionamento e la manutenzione di questo produttore di cloro a sale. Va conservato per futura consultazione. Rivolgersi a Pentair per eventuali domande sull'apparecchiatura.

Prima di installare il prodotto, leggere attentamente e rispettare tutte le istruzioni e le avvertenze contenute nel presente manuale. La mancata osservanza delle istruzioni e delle avvertenze sulla sicurezza potrebbe provocare danni alle cose, lesioni personali o morte. Visitare www.pentairpooleurope.com per ricevere ulteriori copie gratuite di queste istruzioni.

Informazioni per il consumatore e sicurezza

Il produttore di cloro a sale è progettato e realizzato per garantire diversi anni di funzionamento sicuro e affidabile, purché installato, utilizzato e sottoposto a manutenzione in base alle informazioni contenute nel presente manuale. In tutto il manuale, avvisi di sicurezza e avvertenze sono identificati dal simbolo "⚠". Accertarsi di leggere tutte le avvertenze e gli avvisi e comportarsi di conseguenza.

⚠ WARNING Per evitare il rischio di infortuni, impedire l'uso di questo prodotto da parte dei bambini. La manutenzione deve essere effettuata esclusivamente da personale qualificato.

⚠ WARNING **UN CABLAGGIO ERRATO PUÒ PORTARE ALL'ACCUMULO DI GAS CLORO:** per ridurre il rischio di lesioni personali, la centralina del produttore di cloro a sale SC-75 deve essere installata e cablata sul lato di carico dell'interruttore a tempo a controllo elettronico, o sul lato di carico del relè, in modo da essere alimentata solo quando la pompa della piscina è in funzione. In caso contrario, si può verificare un accumulo pericoloso di gas cloro. L'unità non deve mai essere alimentata quando la pompa della piscina è DISATTIVATA e non circola acqua nell'unità.

Mai utilizzare SC-75 senza una portata o una circolazione d'acqua adeguata. L'eventuale accumulo di gas infiammabili crea condizioni pericolose.

⚠ CAUTION Il produttore di cloro a sale SC-75 è destinato all'uso per piscine permanenti e, se specificamente indicato, con vasche termali e per idromassaggio. Non utilizzare con piscine smontabili o di acciaio. Per piscina a installazione permanente si intende una vasca interrata o costruita sul terreno o in un edificio in modo tale da non poter essere smontata o ripiegata. Una piscina smontabile può essere rapidamente smontata per essere stoccata e rimontata per l'uso.

AVVERTENZE IMPORTANTI E ISTRUZIONI DI SICUREZZA - SEGUE

⚠ WARNING Per preparare soluzioni di acido e acqua, **AGGIUNGERE SEMPRE L'ACIDO ALL'ACQUA. MAI AGGIUNGERE L'ACQUA ALL'ACIDO.**

⚠ CAUTION L'uso di sostanze chimiche diverse da quelle consigliate può essere pericoloso. Anche l'uso corretto delle sostanze chimiche consigliate può essere pericoloso. Seguire le istruzioni dei produttori delle sostanze chimiche.

⚠ CAUTION Per ridurre il rischio di scossa elettrica, installare il produttore di cloro a sale SC-75 ad almeno 1,5 m di distanza dalla parete interna della piscina. Installare l'unità ad almeno un metro di distanza dall'uscita del riscaldatore.

⚠ WARNING Il sale è un materiale potenzialmente corrosivo. Sebbene i livelli di sale richiesti per il corretto funzionamento del produttore di cloro a sale SC-75™ siano relativamente bassi rispetto a quelli presenti nell'acqua di mare e in altre soluzioni saline, immettere una quantità di sale nella piscina aumenta la possibilità di corrosione o deterioramento delle attrezzature e delle superfici interne e circostanti della vasca. I componenti in metallo (incluse le piscine di acciaio) e determinate superfici naturali e artificiali sono particolarmente esposti al rischio di corrosione e deterioramento se immerse o collocate nelle vicinanze di piscine ad acqua salata. Pentair Aquatic Systems ("Pentair") non assicura né in altro modo garantisce che l'impiego corretto del produttore di cloro a sale SC-75 prevenga la corrosione o il deterioramento delle attrezzature o di qualsivoglia superficie interna o circostante la vasca. Consultare un esperto di piscine riguardo alla selezione dei materiali adeguati e alle relative tecniche di installazione nonché al loro utilizzo e alla manutenzione a seconda della tipologia specifica di vasca e della sua collocazione per ridurre il rischio di corrosione e deterioramento tipico dello spazio interno e circostante una vasca ad acqua salata.

Termini e condizioni della garanzia limitata

Prima di installare SC-75, leggere e comprendere tutte le avvertenze e le informazioni su garanzia e sicurezza di questa guida. La mancata osservanza delle istruzioni o un'installazione non corretta del pulitore potrebbero provocare danni alla finitura della piscina o al rivestimento vinilico. Pentair Aquatic Systems declina qualsivoglia responsabilità per la riparazione o il ricambio di queste strutture o componenti della piscina del cliente.

Garanzia limitata: due anni

Per ulteriori dettagli: www.pentairpooleurope.com

Esclusione di responsabilità - Informazioni sulla piscina e sulle attrezzature

Ci sono una serie di fattori che contribuiscono alla vita utile di una piscina.

È necessario essere consapevoli del fatto che, nel tempo, il deterioramento, lo scolorimento e la fragilità di qualsiasi finitura di piscina possono essere causati dai seguenti fattori, congiuntamente o singolarmente: età, squilibrio chimico dell'acqua della piscina, installazione non corretta e altri.

Lo stesso vale per le piscine interrate con rivestimento vinilico, poiché anche tale rivestimento è condizionato dall'ambiente e da fattori quali la chimica dell'acqua della piscina, la luce del sole e gli elementi che circondano la piscina stessa. Pertanto, nel tempo il vinile può farsi fragile e debole. Inoltre, le piscine con rivestimento vinilico risentono di lavorazione, composizione e installazione del rivestimento, oltre che di lavorazione e qualità costruttiva delle pareti di supporto e del fondo della piscina. Questi sono tutti fattori che possono contribuire al deterioramento del rivestimento. Il produttore declina qualsivoglia responsabilità per riparazioni o ricambi di queste strutture o componenti della piscina del cliente.

Il proprietario della piscina deve assumersi tutta la responsabilità delle condizioni e della manutenzione della superficie, dell'acqua e dello spazio attorno alla piscina.

Prima di installare il produttore di cloro a sale SC-75 è opportuno registrarne il numero di serie. Sarà necessario fornire tale numero quando si contatterà il reparto di assistenza tecnica.

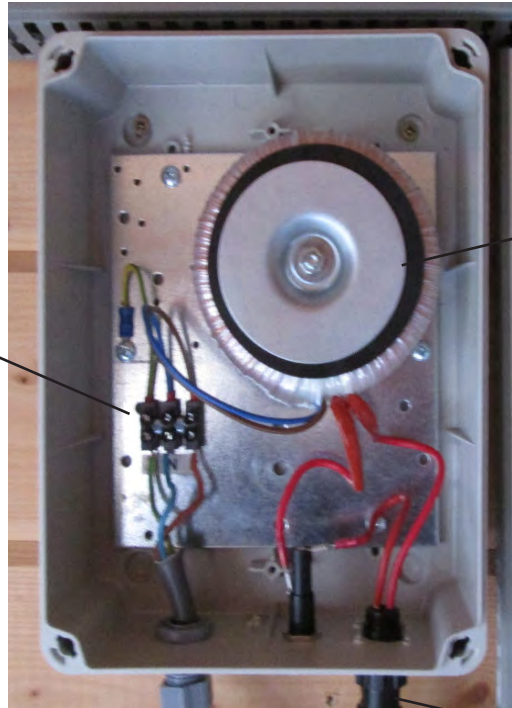
N. DI SERIE _____

PANORAMICA SULLA CENTRALINA SC-75™

L'impianto del produttore di cloro a sale SC-75™ include una centralina e una cella elettrolitica. La centralina è collegata alla sorgente elettrica della pompa di circolazione della piscina, pertanto la cella elettrolitica funziona solo quando la pompa della piscina è attiva. Si consiglia di usare un controller della pompa della piscina per risparmiare energia e prolungare la vita utile della pompa della piscina e di SC-75. Il controller non fa parte del kit della centralina.

L'involucro della centralina può essere installato verticalmente su una superficie piatta, come una parete o un palo, a non più di 3 m (15 piedi) di distanza dal controller della cella. Nella centralina sono alloggiati trasformatore, fusibile e connettore alla cella. A questa scatola è collegato un cablaggio da 220 VCA, con output di 28 VCA alla cella. Un fusibile da 8 A è montato in fondo all'involucro per un'ulteriore protezione. Non ci sono altri controlli o spie all'esterno della centralina.

Cavo AC in entrata attaccato ai cavi elettrici AC della centralina. (blu e marrone) terra = Verde / giallo



Trasformatore

Centralina di iCHLOR
modello SC-75P
(coperchio rimosso)

Connettore cella
SC-75

IMPORTANTE: i cavi elettrici della linea della centralina devono essere collegati al LATO POMPA DEL RELÈ DELLA POMPA DEL FILTRO PRINCIPALE situato sulla centralina. Ciò garantisce che la cella di SC-75 produca cloro solo quando la pompa del filtro principale è attiva.

Componenti dell'impianto di SC-75

L'impianto del produttore di cloro a sale SC-75 è composto da uno dei seguenti elementi:

- SC-75P: kit della centralina. Alimenta la cella di SC-75.
- Cella SC-75 : Y1146

Istruzioni d'uso

Quando si usa un controller della pompa della piscina: l'Association of Pool and Spa Professionals (APSP) consiglia che tutta l'acqua di una piscina domestica passi attraverso l'impianto di filtrazione almeno una volta ogni 12 ore (l'operazione è definita come rotazione dell'acqua della piscina). Tuttavia, vi sono molti fattori che influenzano i tempi di scorrimento effettivi attraverso la pompa e l'impianto di filtrazione. Dimensioni della piscina, fonte dell'acqua, luce solare diretta, piscina coperta o scoperta, schermata o non schermata, impianto di filtrazione, clima caldo o freddo, numero di utenti presenti, precipitazioni, residui organici, alghe, ecc. sono tutti fattori che contribuiscono a tempi di scorrimento più o meno lunghi. A causa di queste differenze, è estremamente difficile impostare un tempo di scorrimento iniziale standard (punto di partenza) per la pompa della piscina e l'impianto di clorazione. Inizialmente, si può tentare di impostare il controller della pompa della piscina a 12 ore. Ci vorrà qualche giorno per ottenere il tempo di funzionamento della pompa della piscina corretto. Quando il produttore di cloro è collegato al controller della pompa della piscina, i risultati variano enormemente da un'installazione all'altra, quindi la questione va discussa con il costruttore della piscina o il proprio tecnico di fiducia.

Installazione

Di seguito viene illustrata la procedura di installazione della centralina di SC-75. Prima dell'installazione, esaminare il contenuto del kit di SC-75 e gli attrezzi necessari.

Contenuto del kit

Una centralina e la guida all'installazione (il presente manuale)

Attrezzi necessari

Cacciavite a croce e a taglio, voltmetro (per determinare il voltaggio della linea AC alla centralina), trapano elettrico con punta per il trapano da 1/4" (per montare la centralina).

Installazione della centralina SC-75

⚠ WARNING **PRECAUZIONI IMPORTANTI PER LA SICUREZZA. LEGGERE QUANTO SEGUE:** leggere tutte le precauzioni per la sicurezza del presente manuale prima di effettuare collegamenti elettrici. Assicurarsi di aver letto e di seguire tutte le istruzioni di sicurezza. Il cablaggio deve essere effettuato esclusivamente da un tecnico qualificato. Quando si utilizzano prodotti elettrici, è necessario osservare sempre precauzioni di base, fra cui le seguenti:

⚠ DANGER **PERICOLO DI SCOSSA ELETTRICA, CON CONSEGUENTI POSSIBILI LESIONI PERSONALI GRAVI O MORTE.**
Prima di intraprendere le attività di installazione, assicurarsi che l'alimentazione al circuito dell'impianto sia scollegata all'altezza dell'interruttore principale.



IMPORTANTE: l'alimentazione elettrica deve essere collegata alla fonte di alimentazione del motore della pompa della piscina. Ciò garantisce che il produttore di cloro SC-75 e la pompa della piscina si accendano e si spengano insieme.

La messa a terra è obbligatoria. L'unità deve essere installata da un tecnico qualificato.

⚠ CAUTION Installare l'unità SC-75 ad almeno 60 cm (due piedi) di distanza dall'uscita del riscaldatore.

- Prevedere un accesso comodo ai pulsanti del pannello di controllo e alla centralina di SC-75.
- Giunti delle tubazioni: Schedule 80, pressione massima 5 Bar (75 psi) a 21 °C
- Utilizzare l'unità con 6 m³/ora (25 GPM). Per le applicazioni con portata elevata, usare un circuito di derivazione.

⚠ CAUTION Installare la centralina ad altezza viso, quanto più vicino possibile alla pompa e all'impianto di filtrazione SC-75. La centralina deve essere installata a più di 2,5 m (8 piedi) dai bordi della piscina.

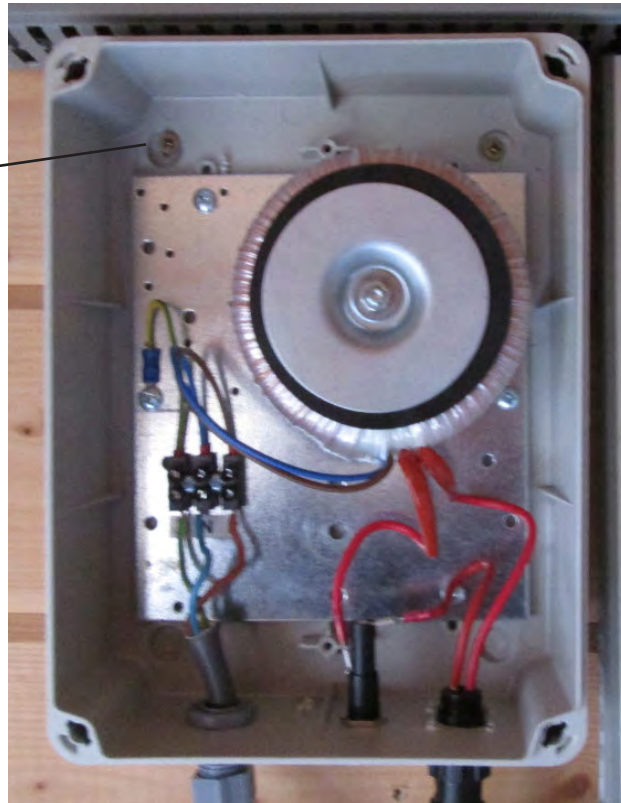
Lasciare spazio sufficiente su tutti i lati della centralina. Assicurarsi che il cavo di alimentazione da 5 m (15 piedi) dalla posizione del gruppo cella possa raggiungere la posizione della centralina. L'involucro della centralina può essere montato a parete fino a 5 m (15 piedi) di distanza dalla cella.

Nota: per istruzioni di installazione relative al collegamento della cella alla centralina, consultare la "Guida all'uso di SC-75".

Montaggio dell'involucro della centralina

- 1- Rimuovi il coperchio del Power Center svitando le 4 viti che lo fissano.
- 2- Posiziona il Power Center su una superficie piana quale una parete o un pannello e con l'aiuto di un cacciavite di piccolo diametro (inferiore a quello delle viti) fora i 4 punti perforati all'interno del Power Center al fine di contrassegnare il muro nei punti in cui deve essere situata ciascuna vite.
- 3- Crea 4 fori da 6 mm nei punti contrassegnati, installare i tasselli, se necessario.
- 4- Riposiziona il Power Center allineando i fori sulla parete e nel Power Center.
- 5- Installa e serra le 4 viti di montaggio (al loro passaggio, le viti devono allargare i fori creati in precedenza nel Power Center, in modo da mantenere l'indice IP).

Foro per la vite della staffa



Collegamento del cavo della cella di SC-75 alla centralina

Collegare il cavo di alimentazione della cella di SC-75 alla centralina come segue:

1. **ATTENZIONE IMPORTANTE:** assicurarsi che la linea di alimentazione AC della centralina sia **DISATTIVATA** prima di collegare il connettore del cavo di alimentazione alla centralina.
2. Allineare il connettore del cavo di alimentazione della cella di SC-75 alla presa di corrente in fondo alla centralina e inserire il connettore. Ruotare il dado tondo della presa di corrente finché non fissa il connettore in posizione.

Dado della presa di corrente del connettore

Alla cella di SC-75



Utilizzare le seguenti informazioni di ricerca guasti relative alla centralina del produttore di cloro a sale SC-75.

Nota: spegnere l'alimentazione dell'unità prima di effettuare attività di manutenzione o riparazione. Rimuovere sempre l'alimentazione AC della centralina quando si connette la cella di SC-75 alla centralina o la si scollega.

Problema	Probabile causa	Soluzione
I LED della cella di SC-75 sono spenti.	Il fusibile della centralina è aperto/guasto.	Sostituire il fusibile da 8 A, situato in fondo alla centralina.
	Assenza di alimentazione AC alla centralina.	Verificare che, quando è attivo, la funzione cronometrica fornisca 220 VCA alla centralina.
	Collegamenti del trasformatore alla centralina non effettuati correttamente.	Verificare che il trasformatore sia collegato alla sorgente AC facendo riferimento al diagramma di cablaggio all'interno del coperchio della centralina.

Garanzia limitata: due anni

Ulteriori informazioni: www.pentairpooleurope.com

Specifiche di sistema - 230 VCA

Protezione del circuito: dispositivo bipolare da 20 A sul pannello elettrico.

Modello SC-75P (ALIMENTAZIONE ELETTRICA)

Input: 50Hz, 220-240 VCA, 220 W, 1 A.

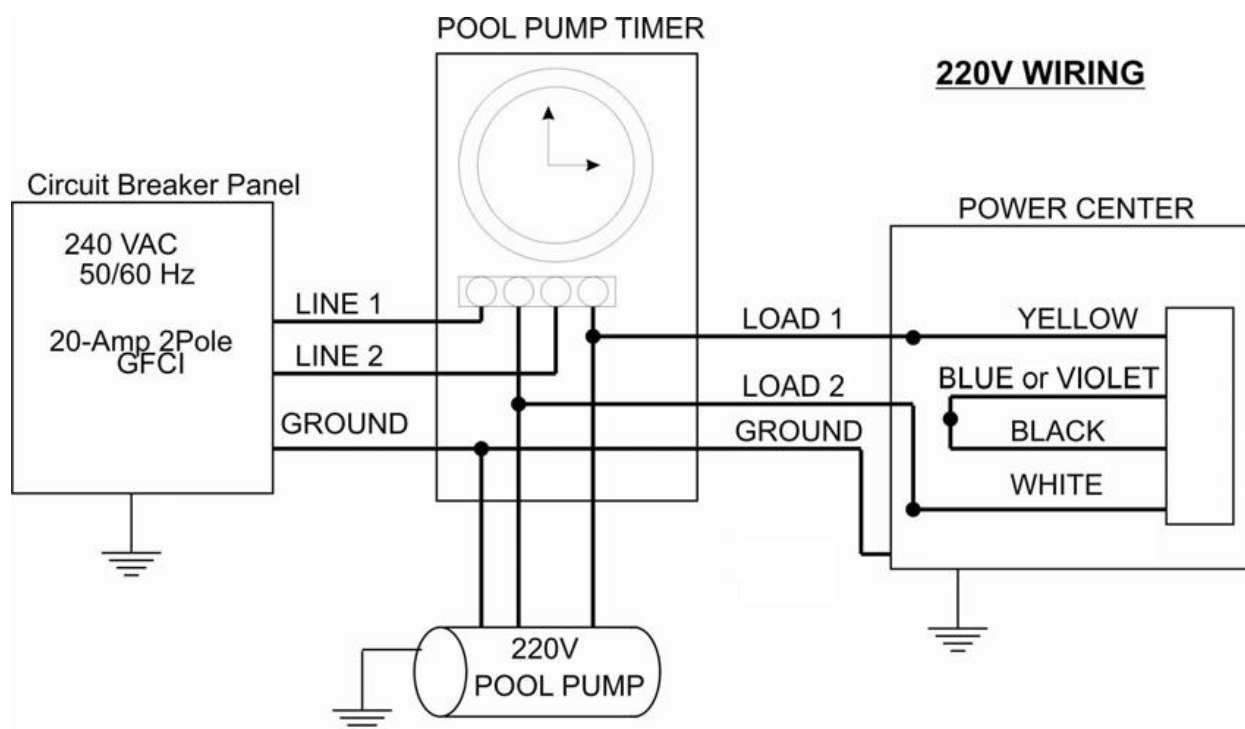
Output: 28 VCA @ 5,2 A massimo.

Portata dell'acqua: 6 m³/ora (25 GPM) - **Portata massima:** 24 m³/ora (105 GPM) - **Pressione massima:** 5 Bar (75 PSI)

Istruzioni di cablaggio AC di SC-75:

- Quando si usa il produttore di cloro a sale SC-75 e una pompa IntelliFlo (o a velocità variabile) con un impianto di automazione Pentair IntelliPool, consultare il manuale di installazione di IntelliPool - sezione "Collegamento del disinfettante - produttore di cloro a sale alternativo".

- Quando si usa il produttore di cloro a sale SC-75 con "Pentair ControlPro Filtration Manager" e una pompa a velocità variabile, consultare il manuale di installazione di "Pentair ControlPro Filtration Manager".









SAVE THESE INSTRUCTIONS !



PENTAIR AQUATIC SYSTEMS

INDUSTRIEPARK WOLFSTEE, TOEKOMSTLAAN 30, 2200 HERENTALS - BELGIUM, WWW.PENTAIRPOOLEUROPE.COM

Copyright – Limited License: except as specifically permitted herein, no portion of the content on this document may be reproduced in any form or by any mean without the prior written permission of Pentair International SRL.

Copyright – Eingeschränkte Lizenz: soweit hierin nicht ausdrücklich zugelassen, dürfen die Inhalte dieses Dokuments ohne vorausgehende schriftliche Genehmigung der Pentair International SRL weder ganz noch auszugsweise und in gleich welcher Form und mit welchen Mitteln vervielfältigt werden.

Copyright – Beperkte licentie: behalve zoals hierin specifiek toegestaan, mag geen enkel deel van de inhoud van dit document op om het even welke manier of hoe dan ook gereproduceerd worden zonder de voorafgaande schriftelijke toestemming van Pentair International SRL.

Copyright – Licence limitée: sauf expressément autorisé ci-après, aucune partie du contenu de ce document ne peut être reproduite sous toute forme ou par tout moyen sans la permission écrite préalable de Pentair International SRL.

Copyright – Licencia limitada: salvo en lo expresamente permitido en el presente documento, se prohíbe la reproducción total o parcial del mismo por cualquier medio sin la previa autorización por escrito de Pentair International SRL.

Copyright – Licenza limitata: se non indicato specificatamente di seguito, nessuna porzione del contenuto di questo documento può essere riprodotta in qualsiasi forma o con qualsiasi mezzo senza preventiva autorizzazione scritta di Pentair International SRL.